

cookmax+



start!

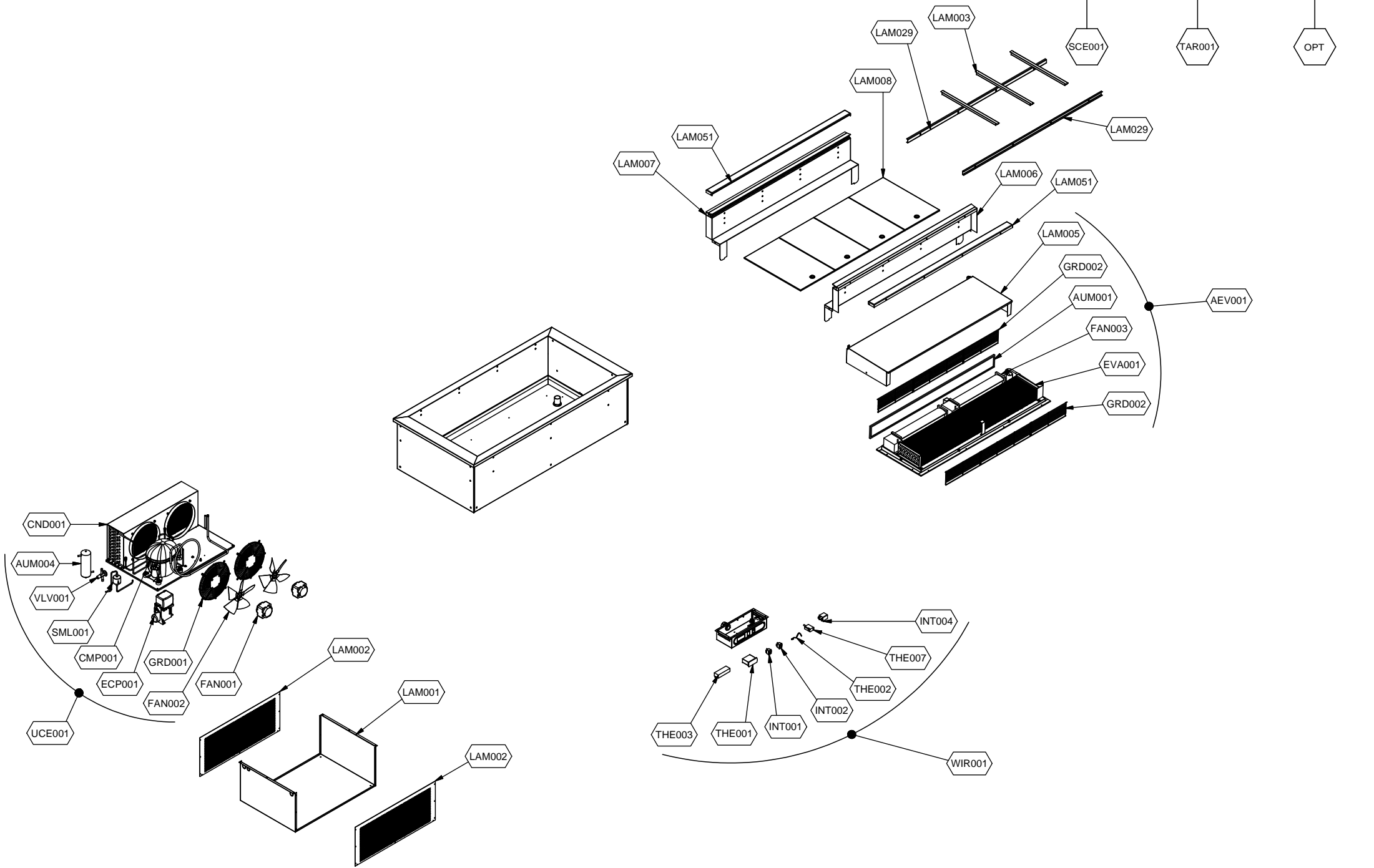
Kühlung Drop-in Element gekühlte Wanne Umluft

Artikel-Nr.
90651112 (9DRBL3FIN0A01 / SO-BLUE3)

Explosionszeichnung / Ersatzteile

Bitte bei Ersatzteilbestellung immer Artikelnummer und Seriennummer mit angeben!

⚡	PARAM.	OPTIONAL
SCE001	TAR001	OPT



Exploded View

Validity: 08/04/2016

9DRBL3FIN0A01	SOUL BLUE 3I VASCA REF.VENT SENZA SOV.
ESP009-02	SOUL BLUE INCORPORATO 2-3-4/1

Ref. Drawing	Code	Description
AEV001	73688952	ASS.EVAP.VETRINA RINF.DROP-IN 3/1
AUM001	74837151	FILTRO ARIA EVAP.VENT RINF.DROP-IN 3/1
AUM004	74700708	SERBATOIO VERT.L.0,58(65/204VS00)
CMP001	74865634	COMPR.NT6226GK MBP CSCR 230V/50HZ R404A
CND001	74837117	CONDENS.400X108XH286 11TX5R3/8"PA3.2MM
ECP001	74867018	PARTI ELETTR.COMPR. NT6226GK
EVA001	74839122	EVAP.VENT.DROP-IN 3-4/1
FAN001	74845180	VENTIL.FMI WE5G25A23M451E+GRIGLIA
FAN002	74848123	CODICE DA ORDINARE 74845180
FAN003	74845038	VEN.EMMEVI TGA 60/3-300/40 055V 230V 51W
GRD001	74845182	GRIGLIA FE.A CESTELLO X VENT.D.250
GRD002	74847181	GRIGLIA EVAP.VENT.RINF.DROP-IN 3/1
INT001	74742008	INT.NERO ON-OFF 16A SH JS-608FA-O-B-6
INT002	74742017	INTERR.ARANC.LAMP 16A B418C1H1X0000 MOLV
INT004	75956088	RELE FINDER 30A 65-31 230V 50-60HZ
LAM001	72539781	LAM.SUPP.UCE ZIN.VENT.RINF.3/1 DROP-IN
LAM002	72539783	GRIGLIA AEREAZ.ZIN.VENT.RINF.3/1 DROP-IN
LAM003	72556044	LAM.SUPP.VASCH.GRBF 151 530*20
LAM005	72539391	LAM.COP.EVAP.RINF.DROP-IN 3/1
LAM006	73689862	ASS.CONV.ARIA POST.VENT.RINF.3/1 DROP-IN
LAM007	73689872	ASS.CONV.ARIA ANT.VENT.RINF.3/1 DROP-IN
LAM008	74707262	VASSOIO VASCA VENTILATA DROP-IN
LAM029	72539482	LAM.SUPPORTO VASCHETTE 3/1 DROP-IN
LAM051	72538512	LAM.COPERT.DEF.VENT.3/1 RIBASS.DROP-IN
SCE001	SC850	SCHEMA ELETTRICO DROP-IN REFRIG.
SML001	73670192	ASS.FILTRO VENT.RINF.3/1 DROP-IN
TAR001	RIF.TAR.B05	PARAMETRI DROPIN & BUFFET BLUE & GRAY

Ref. Drawing	Code	Description
THE001	74700881	CENTR.PYAO1C0522-BZ 230V H/C
THE002	74700916	SONDA NTC IKE 3METRI -50/+105°
THE003	74700892	ALIMENTATORE LAMPADA LED MW LPHC18-350MA
THE007	74700954	REGOL.VELOCITA TECNEL TE7310.3/M
UCE001	74861592	UCE NT6226GK MBP CSCR R404A DROP-IN 3/1
VLV001	74877107	VALVOLA TLE-1.5 R404A MOP 0 HONEYWEL
WIR001	73669908	ASS.Q.E REF.VENT.DROP-IN