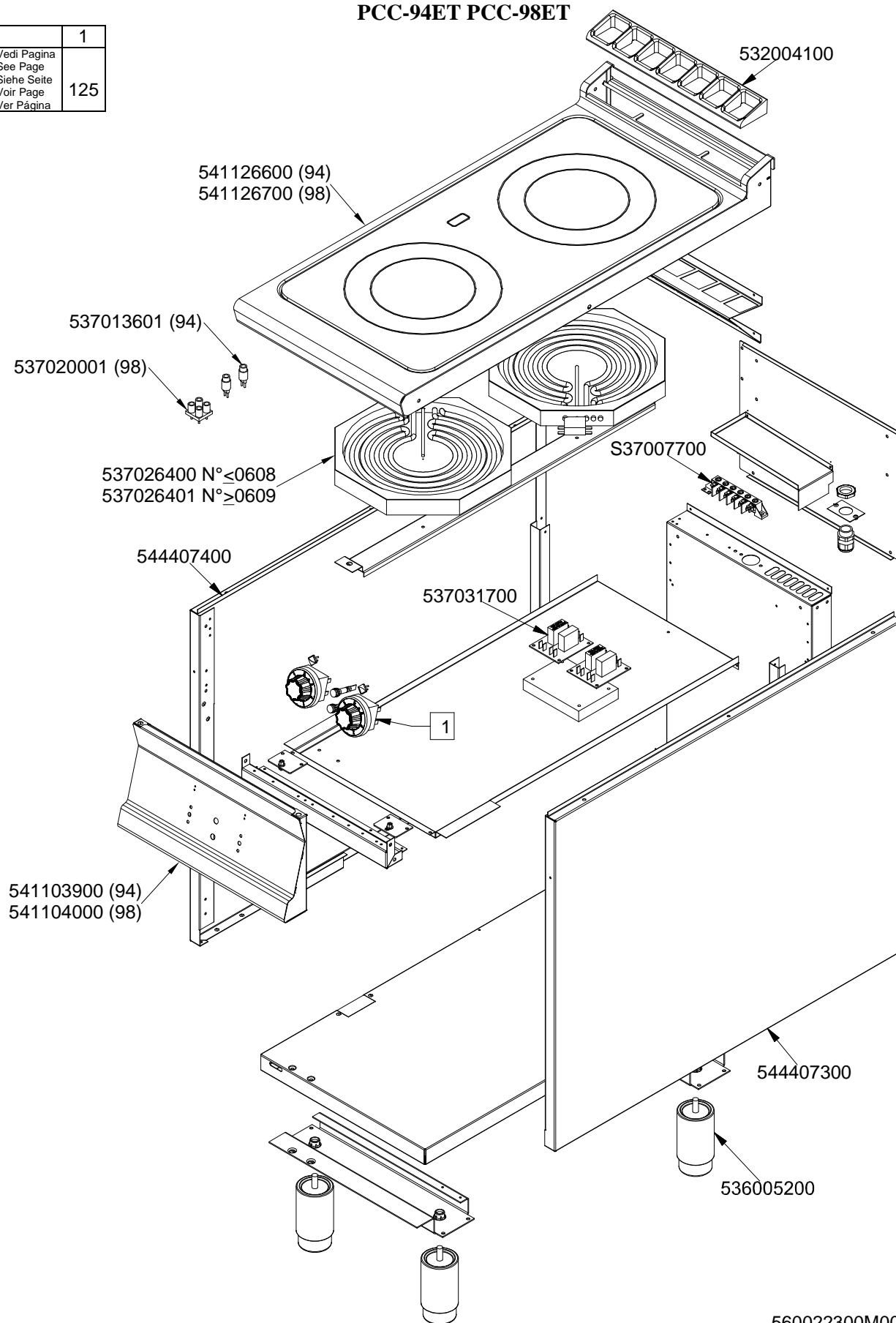


IPERLOTUS 90

ELETTRICO / ELECTRIC / ELEKTRO / ELECTRIQUE

PCC-94ET PCC-98ET

1	
Vedi Pagina See Page Siehe Seite Voir Page Ver Página	125

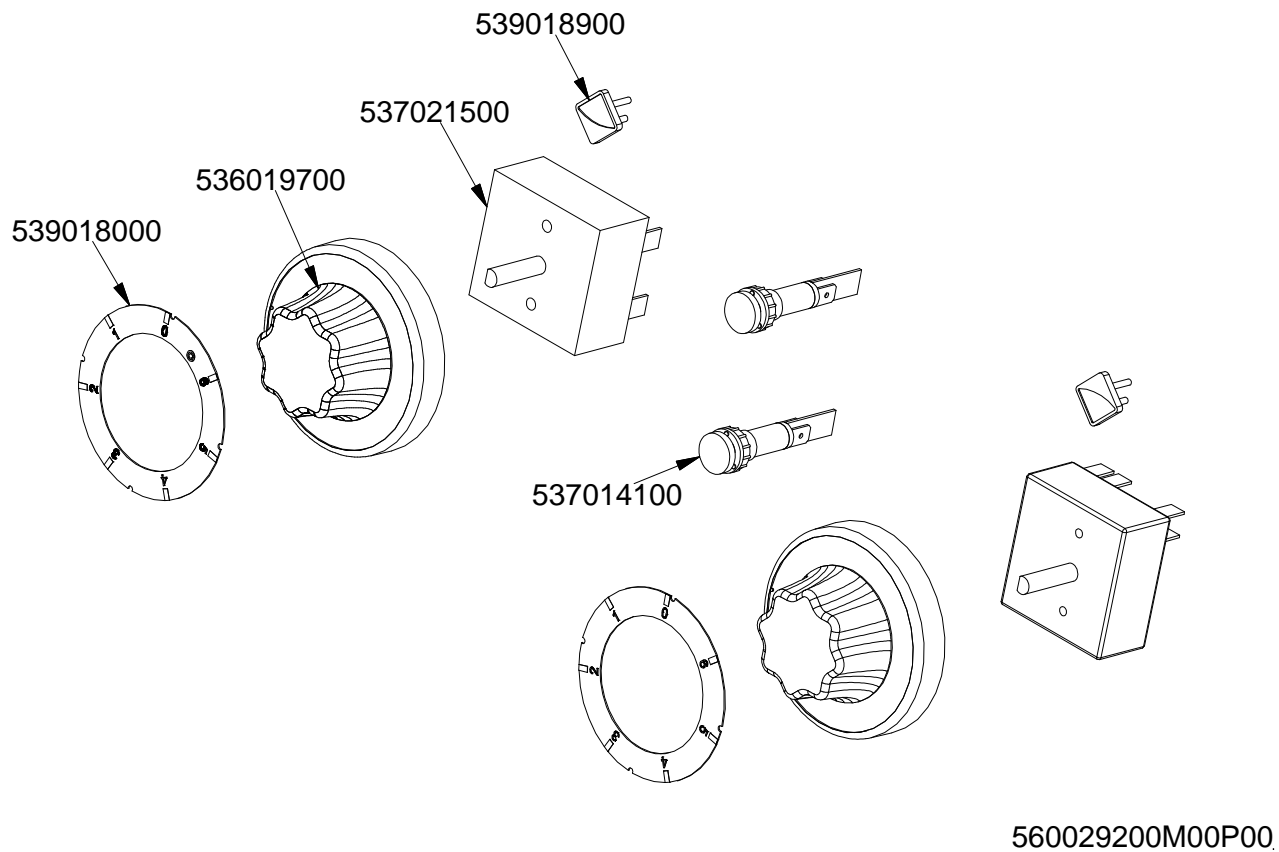


560022300M00P00

IPERLOTUS 90

COMPONENTI COMUNI / STANDARDS PARTS / UEBLICHE TEILE / COMPOSANTS COMMUNS

PCC-E CFC-E



Page	Pos	Code	Description
001		537026400	EL.PLATE PCC D300 1500+1900W 230V
001		537026401	PLATE PCC D300 1500+1900W
001		537013601	REMAINING HEAT WARN.LIGHT W/CABLES
001		541103900	CONTROL PANEL PC-74E
001		541126600	UPPER PLATE PCC-94E WITH GLASS
001		544407400	LEFT SIDE PANEL 70 LINE
001		544407300	RIGHT SIDE PANEL 90 LINE
001		532004100	FLUE GRID L=370 70LINE (RAF)
001		S37007700	
001		537031700	ELECTRO BOARD 2 RELAI
002		539018000	ADHESIVE GRAD.DISC 7POS.DOUBLE RED
002		536019700	BLACK KNOB §70 PIN §6*5
002		537021500	REGULATOR FOR EL.PLATE 2CIRC.230V
002		539018900	INDEX FOR KNOB
002		537014100	WHITE WARNING LIGHT 250V