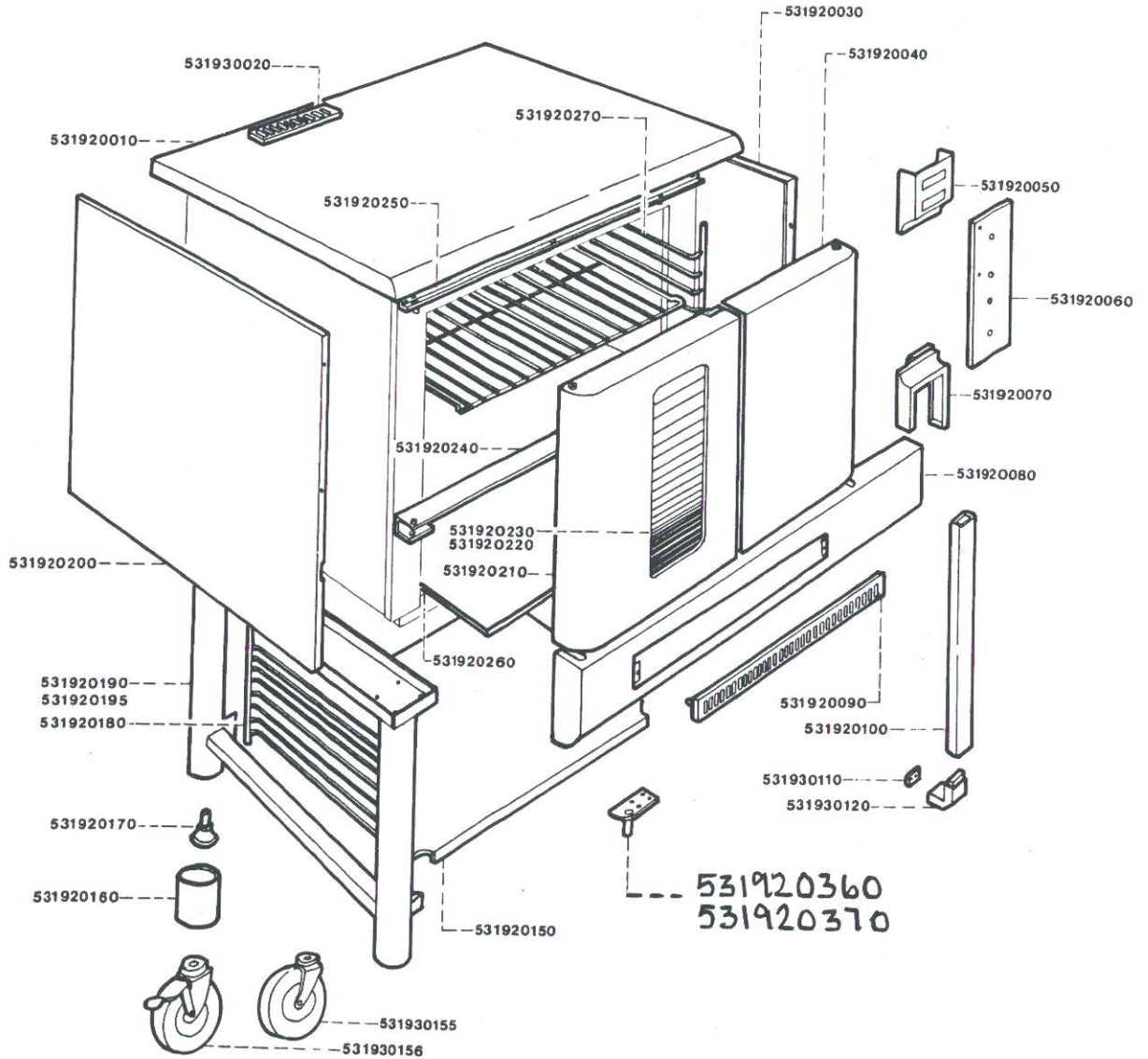


G7008 CONVECTION OVEN

FITMENTS



Code No.	Description
7H 531920010	Outer Top Panel
5F 531920030	Outer Side Panel—RH
11H 531920040	Oven Door Assembly—RH
4E 531920050	Control Panel—Top
4E 531920060	Control Panel—Centre
1E 531920070	Bottom Control Panel Trim
1G 531920080	Bottom Cover
1E 531920090	Bottom Cover Louvre
2E 531920100	Door Handle Tube
7F 531920150	Leg Stand Shelf
12B 531920160	Leg Cover
6B 531920170	Adjustable Foot
4H 531920190	Leg Stand End Assembly
* 531920195	Optional Leg Stand for Castors
7F 531920200	Outer Side Panel—LH
10L 531920210	Oven Door Assembly—LH

531920570 DOOR LATCH STRIP.

Code No.	Description
12D 531920220	Oven Door Glass—Inner
3E 531920230	Oven Door Glass—Outer
5E 531920240	Door Support Angle—Bottom
12D 531920250	Door Support Angle—Top
* 531920260	Drip Tray
6E 531920270	Shelf Hanger
5D 531930020	Flue Exit Box
1B 531930110	Door Handle Gasket
10B 531930120	Door Handle Bracket
5C 531930130	Bottom Door Hinge—LH
5C 531930140	Bottom Door Hinge—RH
7C 531930155	Swivel Caster—Rear
10C 531930156	Swivel Caster—Front

531920175 - BOTTOM DOOR ANGLE % MECHANICS (POST 88)
 531920360 - L/H BOTTOM HINGE
 531920370 - R/H BOTTOM HINGE (POST 88)

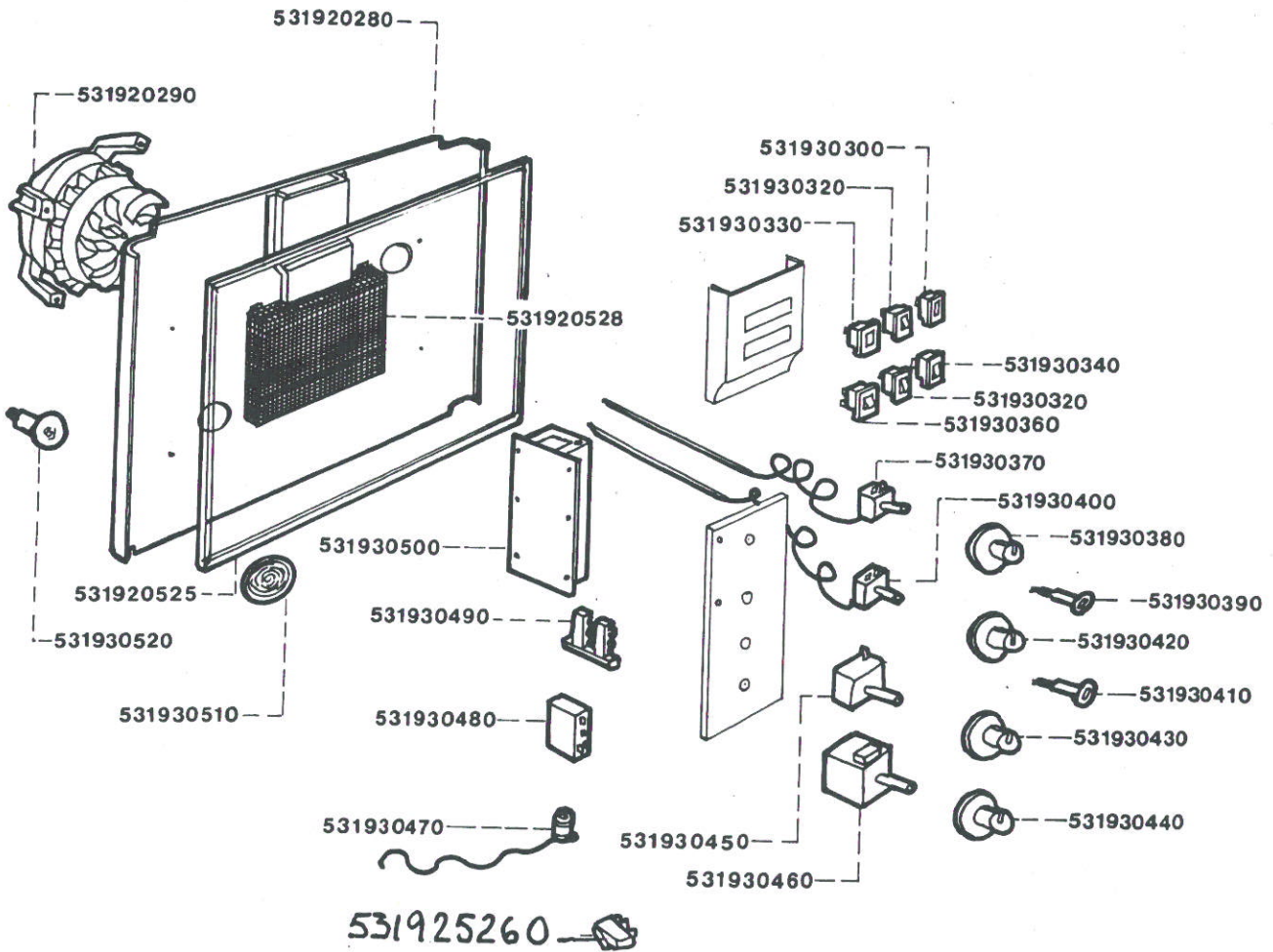
Sheet Reference Number

G7008/1185/001

Falcon Catering Equipment
 Commercial and institutional catering equipment



Falcon Catering Equipment is a business name of Glynwed Consumer & Building Products Ltd a member of the Glynwed International plc group of companies



Code No.	Description
11G 531920280	Oven Back Baffle
9N 531920290	Fan Motor
12D 531920525	Door Seal
7F 531920528	Fan Guard
12B 531930300	Indicator Lamp—Ignition
12B 531930320	Rocker Switch—Fan And Cook
12B 531930330	Indicator Lamp—Heat
12B 531930340	Rocker Switch—Lights
12B 531930360	Rocker Switch—On/Off
12D 531930370	Thermostat—Cook
6B 531930380	Thermostat Knob—Cook
12B 531930390	Indicator—Cook Temp
12D 531930400	Thermostat—Hold (HIGH/LOW)
12B 531930410	Indicator—Hold Temp.
6B 531930420	Thermostat Knob—Hold
6B 531930430	Timer Knob—Cook Only
6B 531930440	Timer Knob—Cook and Hold
2F 531930450	Timer—Cook only
73A311120	FAN TERMINAL
732920062	PROVING RELAY.
732920063	RELAY BASE.

Code No.	Description
1F 531930460	Timer—Cook and Hold
11C 531930465	Microswitch
5E 531930470	Buzzer
1E 531930480	Igniter Box
9B 531930490	Terminal Block
8J 531930500	Gas Control Unit
12B 531930510	Oven Lamp Glass
6B 531930520	Oven Lamp
531930295	PRESSURE SWITCH.
531925121	SPACER TUBE.
531925120	THUMB SCREW.
531925110	TSTAT PHIAL GUARD.
531920660	FLUE CHAMBER BODY.
531920630	SET DOOR SCREWS/SEAL.

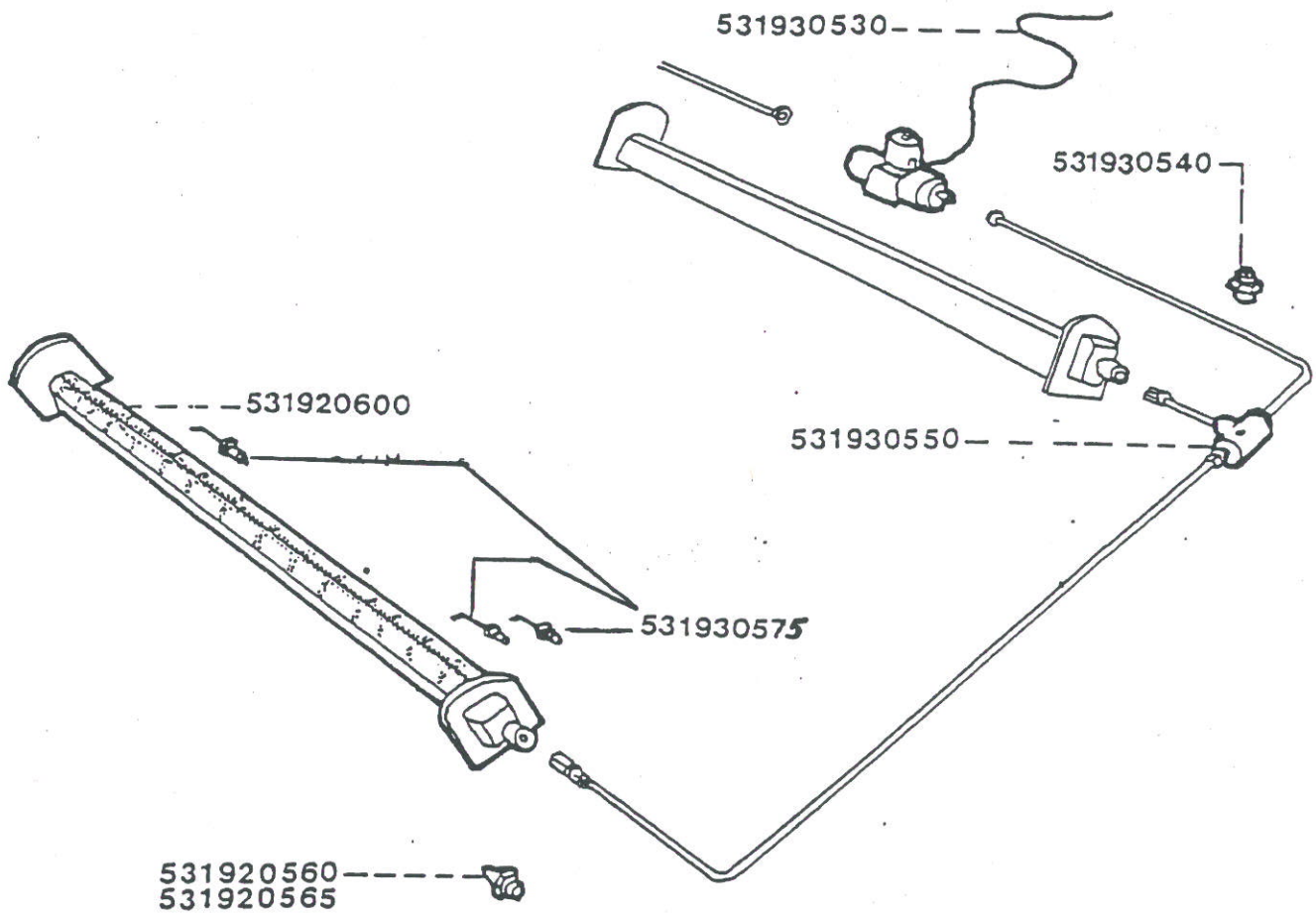
Sheet Reference Number

G7008/1185/002

Falcon Catering Equipment
Commercial and institutional catering equipment

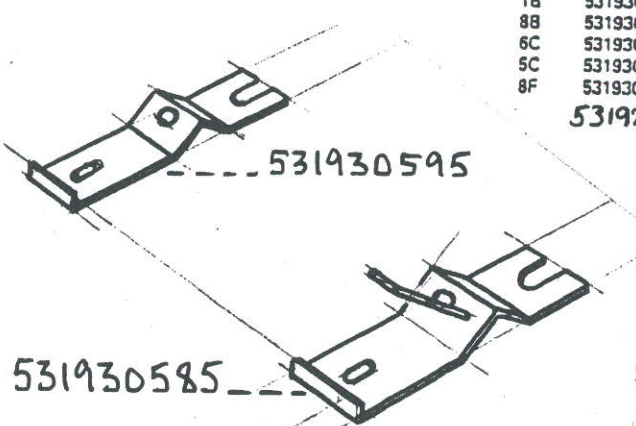


Falcon Catering Equipment is a business name of Glynwed Consumer & Building Products Ltd a member of the Glynwed International plc group of companies



Code	No.	Description
11H	531930530	Solenoid Valve
1B	531930540	Pressure Test Nipple
1B	531930550	T Piece with Test Point Tapping
1B	531930560	Injector Nat. Gas
1B	531930565	Injector L.P. Gas
8B	531930575	Electrode (4 per unit)
6C	531930585	Electrode Bracket Assembly (2 per unit)
5C	531930595	Electrode Bracket (2 per unit)
8F	531930600	Burner

531920580 - Set Ign/Sensor Leads & Sleeving.



Sheet Reference Number

G7008/1185/003



Falcon Catering Equipment is a business name of Glynwed Consumer & Building Products Ltd a member of the Glynwed International plc group of companies