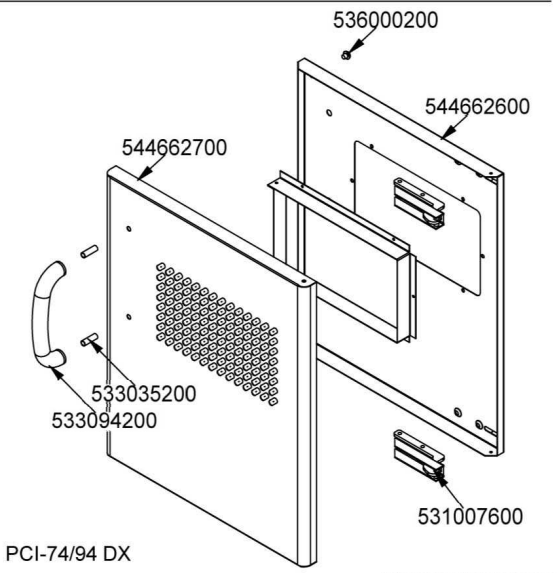
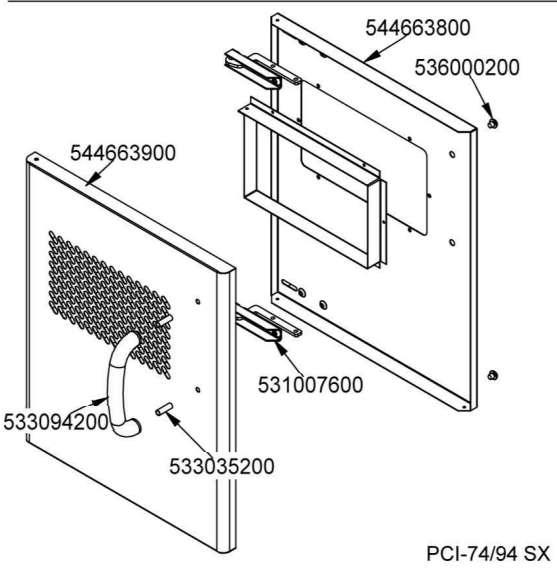
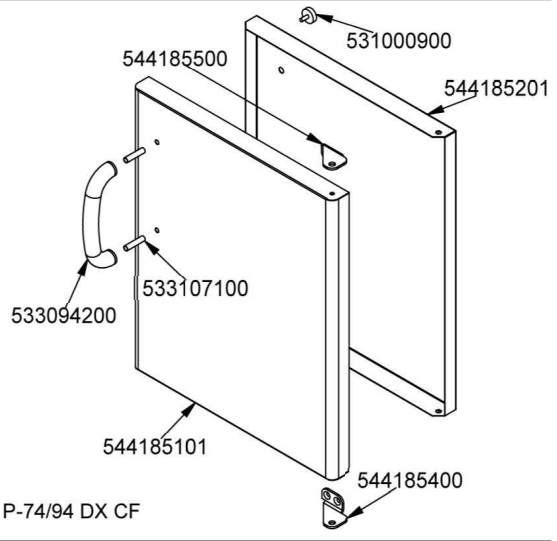
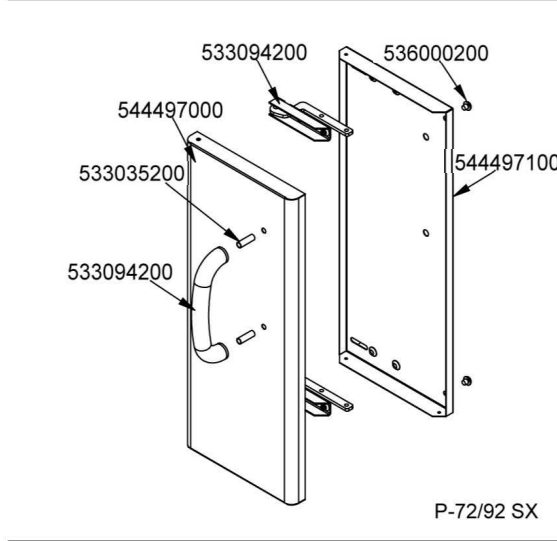
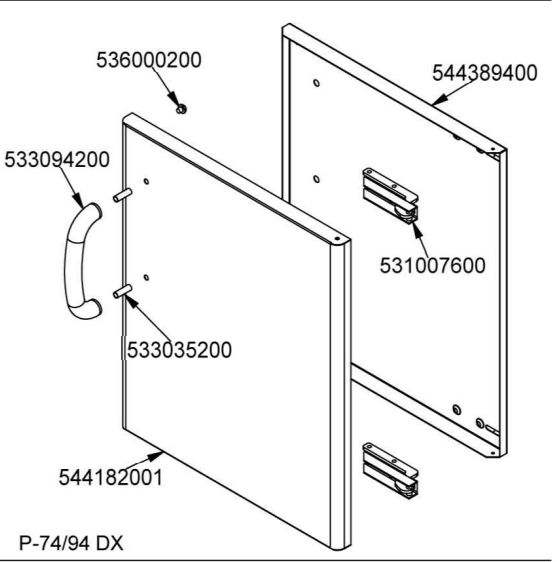
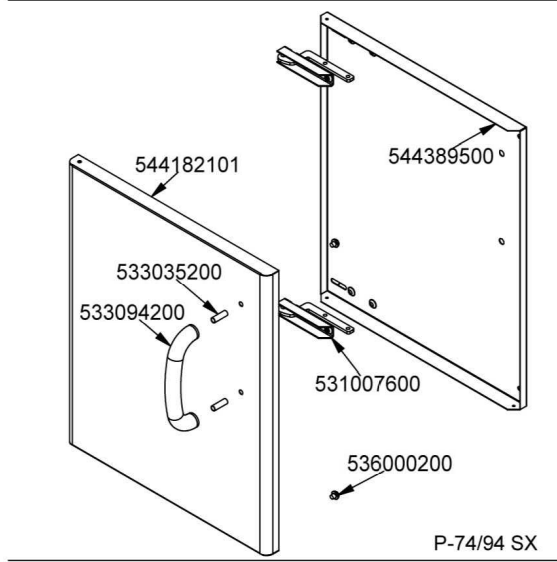
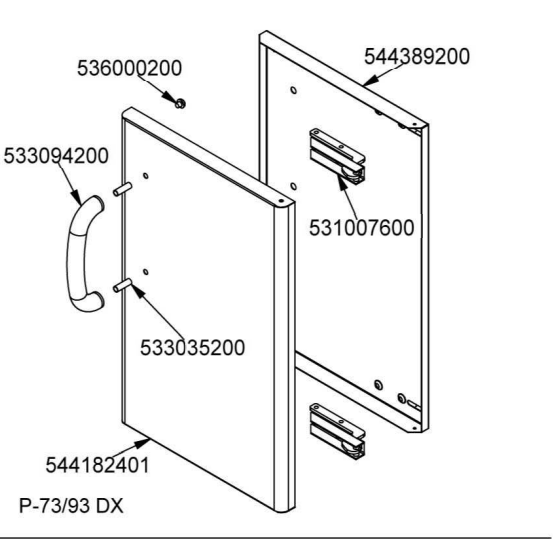
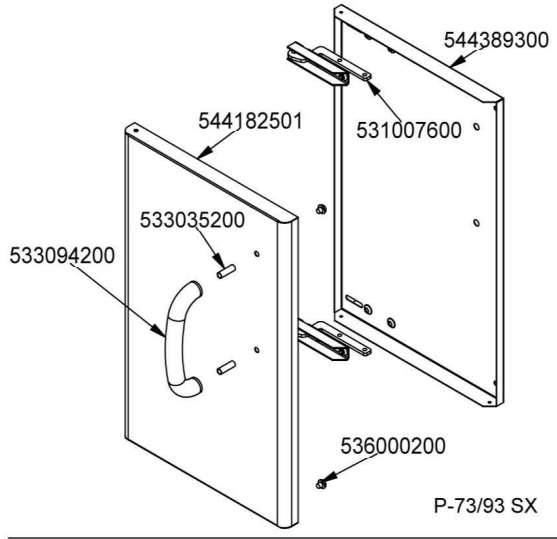
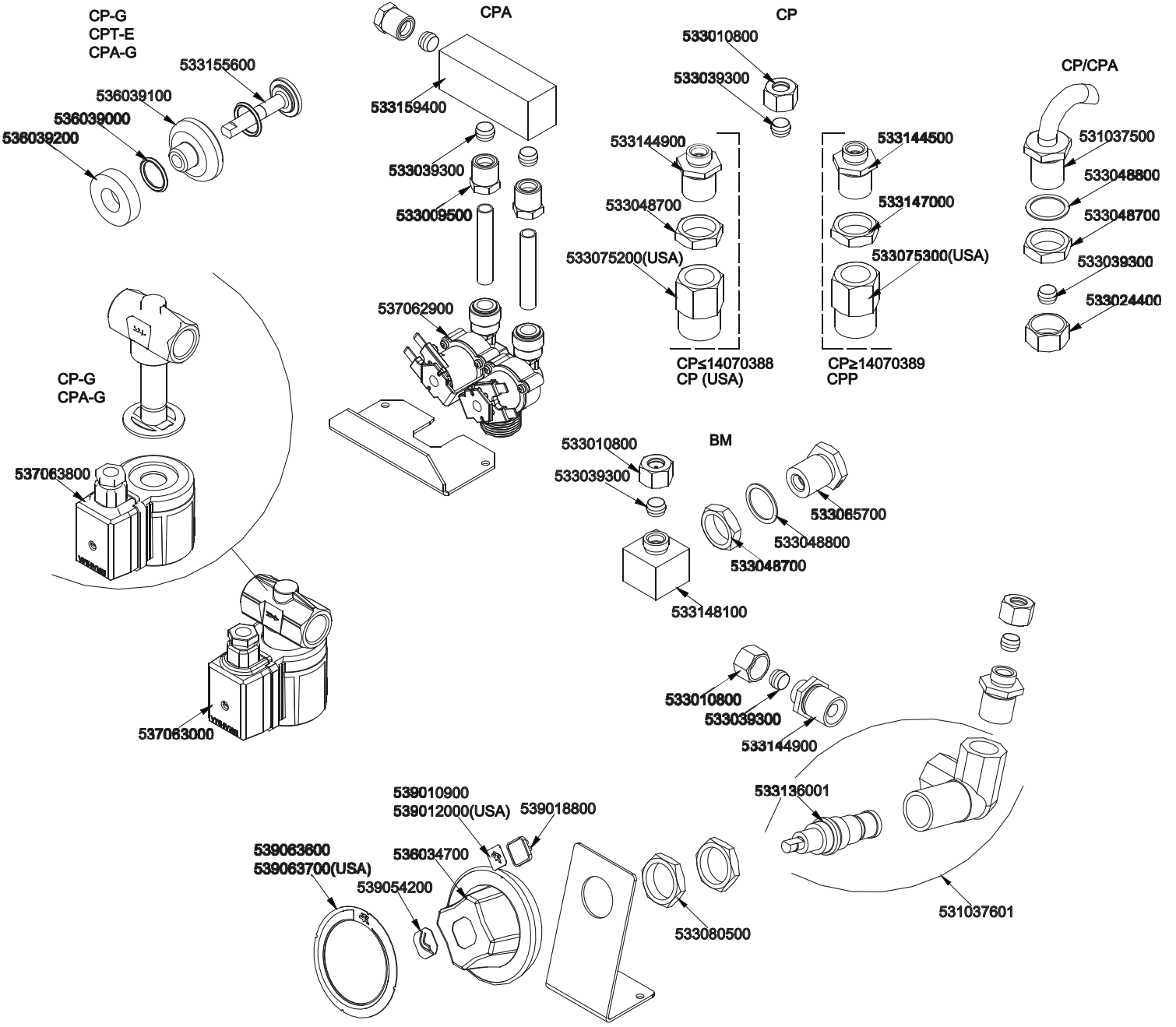
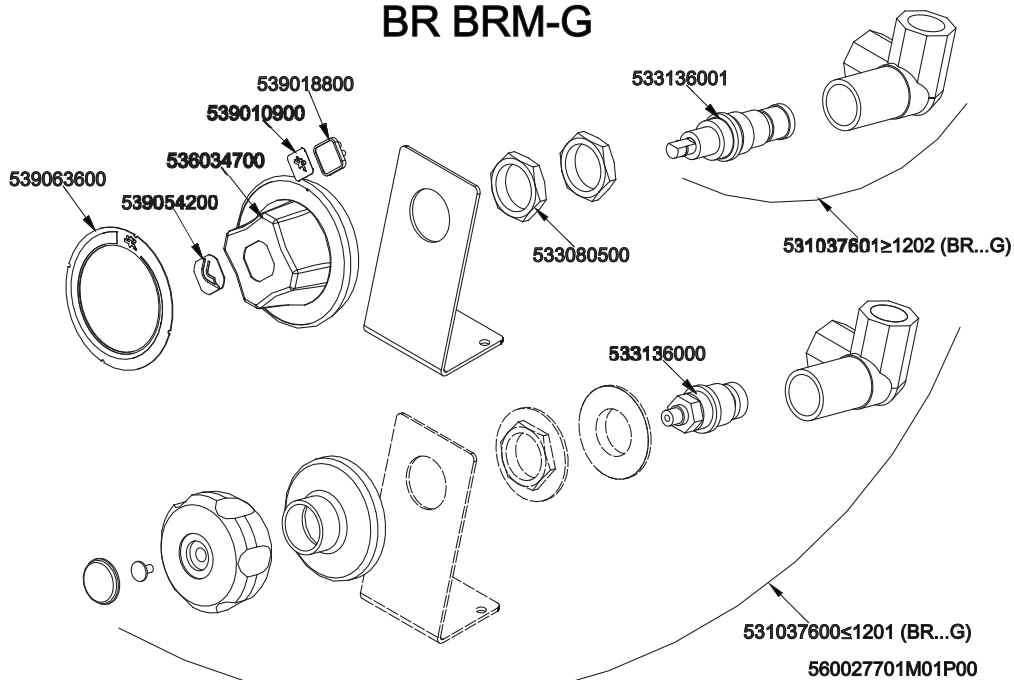


	*	**
G30-28+30mbar G31- 37mbar	533020800	533030300
G30- 50mbar	533020800	533014800
G20- 20mbar G25- 25mbar	533020300	533055300
G20- 20mbar DE-AT	533020300	533055300
G25- 20mbar	533020300	533055500
G25- 25mbar NL	533020300	533055400
GAS E-10IWC USA	533131000	533030300
GAS A-4IWC USA	533138900	533014200
G31- 2,49kPa AUS	533020200	533031000
G20- 1kPa AUS	533020400	533055600





### BR BRM-G



Page	Pos	Code	Description
001		541134600	LOW SPACER 78 2 GRIDS
001		531021501	BASKET SUPPORT GRID CP S.70
001		532004100	FLUE GRID L=370 90LINE (RAF
001		544412900	BASKET HOLDER FOR DRAINAGE OF CP90
001		531042800	SEMISPHERE FILTER
001		541105802	UPPER PLATE S70 CP-78G
001		546006100	RUBBER TUBE §25INT.*§33EXT.*L=540
001		544173500	LEFT SIDE PANEL S.70
001		531028600	BURNER CP 70 LINE
001		541160402	
001		531018600	BALL VALVE 1"G M-F CPM-62G
001		533040000	1"G F-F-F "T" FITTING
001		533039900	PIPE HOLDER 1" G M D.24
001		533038200	1" G M-F ELBOW FITTING
001		544173400	RIGHT SIDE PANEL S.70
001		536005200	INOX LEG 2" 120-180 M10
002		533047900	BY PASS COCK §100 21S
002		533010800	TUBE NUT D.10 M16*1,5
002		533039300	BICONE §10
002		531025600	ELBOW 90° NOZZLE-HOLDER §10 PIPE
002		533010900	NUT M14*1 H.4
002		539018900	INDEX FOR KNOB W/RED SIGN
002		533039100	BICONE §6
002		533018500	FITTING FOR BICONE D.6 M10*1
002		531032100	GAS COCK 21S P.V.BY-PASS Ø100
002		536034500	KNOB §77 4P. §08*6,5
002		539054200	STAMP Ø20,5 CR."L" LOTUS R.
002		539062800	RED STICKING DISK 72
002		539062900	RED STICKING DISK 72 USA
002		533009500	NIPPLE FOR BICONE 10S
002		537002800	PIEZOELECTRIC IGNITION M18 WITH NUT
002		533009400	BICONE 10S
002		533053600	EUROSIT VALVE PLUG
002		533130400	DEFLECTOR WITH 3 PILOT USA
002		533130500	DRILLED PILOT 0190 USA
002		533011500	PILOT BURNER 2 FLAMES 220
002		533011000	PILOT BURNER 3 FLAMES 320
002		533045700	THERMOCOUPLE M9*1 500
002		533131400	THERMOCOUPLE M9*1 750
002		533010400	BICONE D.6
002		533130900	FITTING THERMOCOUPLE M10X1 USA
002		533085200	SPACER FOR PILOT PLUG
002		537008300	ROUND PLUG §2,4- LONG ELECTRODE
002		537010200	ROUND PLUG §2,4 - SHORT ELECTRODE
002		533018600	PLUG FITTING
002		547003200	HIGH-VOLTAGE CABLE TUBE.§2 L=500
002		533050200	90° 1/2 M/F ELBOW FITTING
002		533075200	
002		531063800	USA PRESSURE REGULATOR
002		533020800	NOZZLE 0160-FLUSS. (25
002		533020300	NOZZLE 0160 (NATURAL GAS) 1-2 (41

Page	Pos	Code	Description
002		533131000	NOZZLE 0190 (30
002		533138900	NOZZLE 0190 (62
002		533020200	PILOT JETS 0160 FOR LPG §30
002		533020400	NOZZLE 0160 (NATURAL GAS) 51
002		533030300	NOZZLE §160 CH12*14 M-FPG
002		533014800	NOZZLE §135 CH12*14,0
002		533055300	NOZZLE §235 CH12*14
002		533055500	NOZZLE §255 CH12*14 L-CP70
002		533055400	NOZZLE §245 CH12*14
002		533014200	NOZZLE §270 CH12*14 OVEN GN 3/1
002		533031000	NOZZLE §175 CH12X14
002		533055600	NOZZLE §280 CH12*14
003		544389300	CONTROP.73 SX APP. LT
003		531007600	DOOR HINGE
003		544182501	LEFT DOOR 73
003		533094200	S/S HANDLE FOR 70/90 SERIES
003		533035200	HANDLE SPACER
003		536000200	D.12 H.4 BUMPER
003		544389200	CONTROP.73 DX APP. LT
003		544182401	RIGHT DOOR 73
003		544182101	LEFT DOOR 74
003		544389500	INNER-DOOR OF LHD 74
003		544389400	CONTROP.74 DX APP. LT
003		544182001	RIGHT DOOR 74
003		544497000	PORTA 72 SX
003		544497100	CONTROP.72 SX APP. LT
003		544185101	RIGHT DOOR 74 CF
003		533107100	HANDLE SPACER OF CF-70
003		544185500	UPPER DOOR HINGE FOR COMPARTME CF70
003		531000900	MAGNET §22 KG.3 WITH DISK
003		544185201	INNER DOOR * 74DX
003		544185400	LOWER DOOR HINGE FOR COMPARTME CF70
003		544663900	LHD 74 DOOR FOR PCI
003		544663800	74 LHD OVEN INNER DOOR FOUR PCI
003		544662700	DOOR 74 DX PCI
003		544662600	CONTROP.74 DX APP. LT PCI
004		533010800	TUBE NUT D.10 M16*1,5
004		533155600	PERNO PER SENSORE ACQUA
004		536039100	GUIDA PER SENSORE ACQUA
004		536039000	GUARNIZ.O-RING 12,42X1,78 SILIC.
004		536039200	DISTANZIALE PER SENSORE ACQUA
004		533039300	BICONE §10
004		533159400	RACC.UN.2 U.ELETTROV.ACQUA CP
004		533144500	FITTING FOR WATER INPUT 3/4G
004		531037500	RACCORD CA.H2O 1/2G CAN.D10
004		533144900	MALE FITTING WATER INLET M16X1,5
004		533048700	NUT 1/2G ZN
004		533048800	GASKET §30*§21*2 FIBRE
004		533147000	BICONE FITTING 3/4G ZN
004		533009500	NIPPLE FOR BICONE 10S
004		533024400	HEXAGONAL NUT 1/2G TUBE D.10

Page	Pos	Code	Description
004		537062900	ELETTROV.A.3/4GM-2Ø10JG 230V RPV
004		537063800	COIL ELECTROV.G.1/2GF 230V
004		533065700	FITTING FOR WATER INPUT 1/2G
004		533148100	RACC.A GOM.90° 1/2G F.M16X1,5M. (S
004		537063000	ELETTROV.G.1/2GF-1/2GF 230V
004		539010900	ADHESIVE LABEL FOR DRAIN COCK
004		533136001	SCREW TAP WATER LOAD FOR CP S70/90
004		539012000	ADHESIVE LABEL FOR DRAIN COCK USA
004		539018800	BLANK INDEX FOR KNOB
004		539063600	ADHESIVE DISK 72 FOR DRAIN COCK
004		539063700	ADHESIVE DISK 72 FOR DRAIN COCK USA
004		536034700	KNOB §77 4P. §08*6,5 F§30
004		539054200	STAMP Ø20,5 CR."L" LOTUS R.
004		531037601	TAP FOR WATER 90°DX CP
004		533136000	SCREW TAP WATER LOAD FOR CP S70/90
004		531037600	TAP FOR WATER LOADING 1/2"GF CP 90