



## Vorbereitung Gemüeschneider

Artikel-Nr.  
70481009 (TA25K)

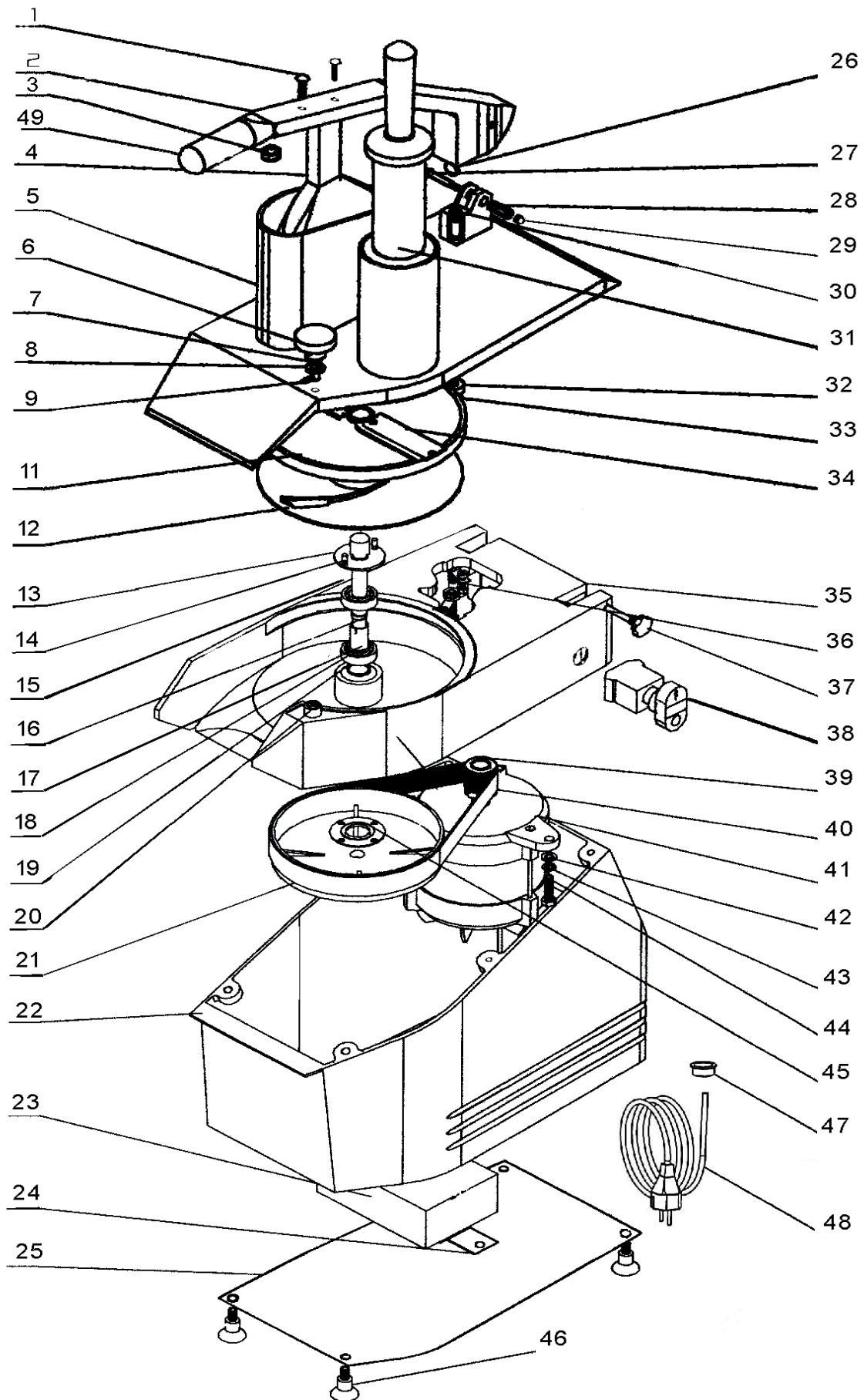
---

### Explosionszeichnung / Ersatzteile

---

Bitte bei Ersatzteilbestellung immer Artikelnummer und Seriennummer mit angeben!

# SPARE PART LIST / ESPLOSO TA25K



## SPARE PART LIST / ESPLOSO TA25K

REF.	CODE CODICE	DESCRIPTION	DESCRIZIONE
1	R01635	Screw and nut	Vite e dado
2	R01054	Hanlebar	Leva
3	R01055	Nylon gasket	Pretezione nylon
4	R01056	Presser	Pressore
5		Cover	Coperchio
6	R00543	Knob	Manopola
7	R00970	Spring	Molla
8	R00971	Washer	Rondella
9	R00972	Pin	Perno
11		Disk	Disco
12	R01072	Ejector disk	Espulsore
13	R01058	Shaft	Albero
16			
14	R01059	Pin	Perno
15	R01060	Oil seal	Paraolio
17	R01061	Spacer	Distanziale
18	R01062	Bearing	Cuscinetto
19A	R01063	External seeger $\varnothing 14$	Seeger esterno $\varnothing 14$
19B	R01508	Internal seeger $\varnothing 36$	Seeger interno $\varnothing 36$
20	R00947	Lock bushing	Boccola bloccaggio
21	R01064	Pulley	Puleggia
	R01542	Spring pin of shaft pulley	Spina elastica puleggia
22	R01244	Chassis	Carcassa
23	R00542	Electronic board	Scheda elettronica
24	R01242	Electric box	Scatola elettrica
25	R01065	Bottom	Fondo
26	R01066	Magnet	Magnete
27		Bolt	Bullone
28		Sheath	Supporto
29		Nut	Dado
30	R01241	Adjusting bolt + spring	Vite di regolazione + molla
31	R01067	Pusher	Pestello
32	R01068	Magnet seat	Sede magnete
33	R01070	Cover magnet	Magnete coperchio
34		Disc	Disco
35	R01243	Body	Corpo
36	R00541	Microswitch	Microinterruttore
37	R00594	Knob	Pomello
38	R00544	Switch	Interruttore
39	R01071	Pulley	Puleggia
40	R00539	Belt	Cinghia
41	R00540	Motor	Motore
45	R01752	Cover	Carter
46	R00596	Foot	Piedino
47	R01239	Cable clamp	Pressacavo
48	R01240	Electric cable	Cavo elettrico
49	R00595	Handle	Impugnatura leva