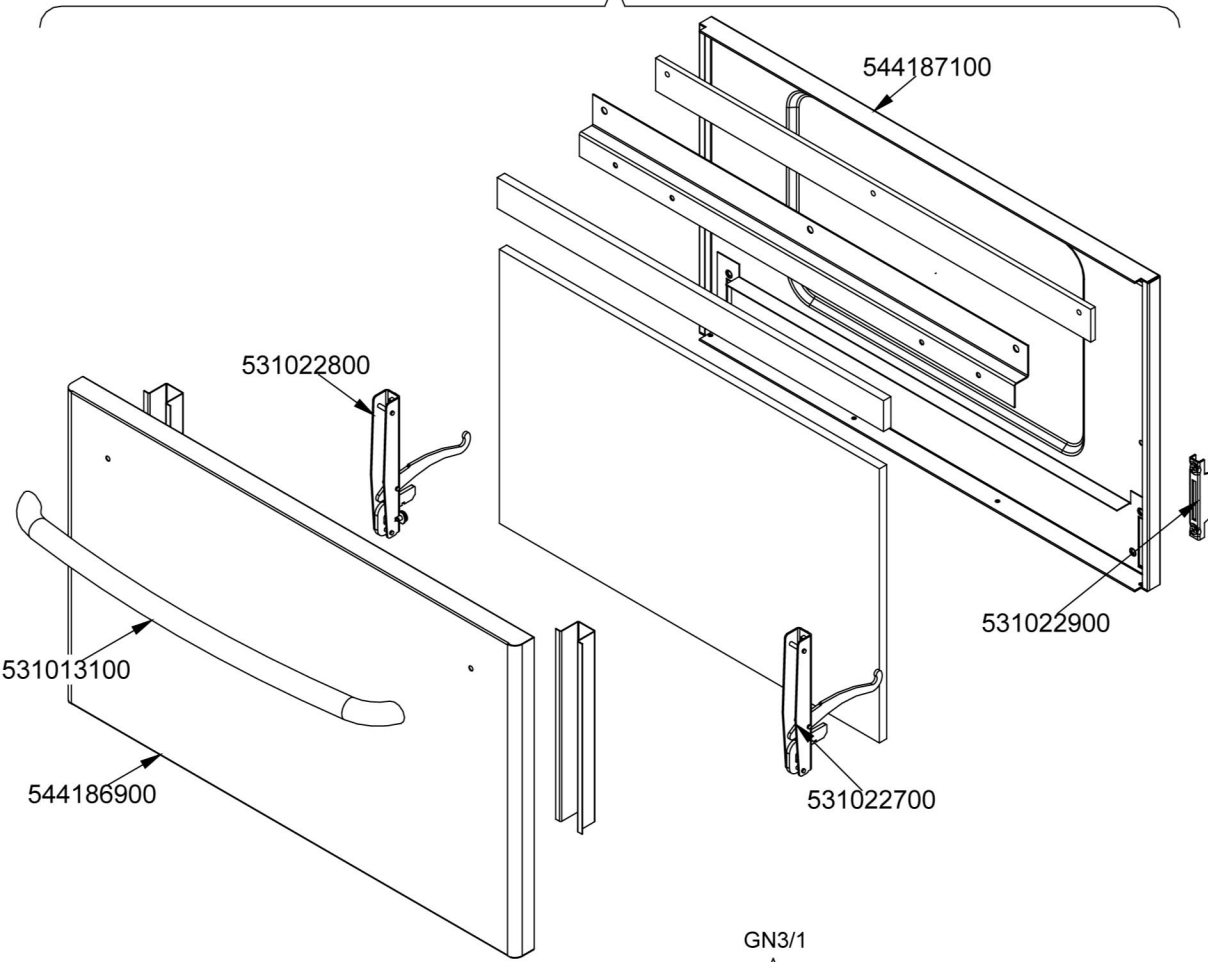
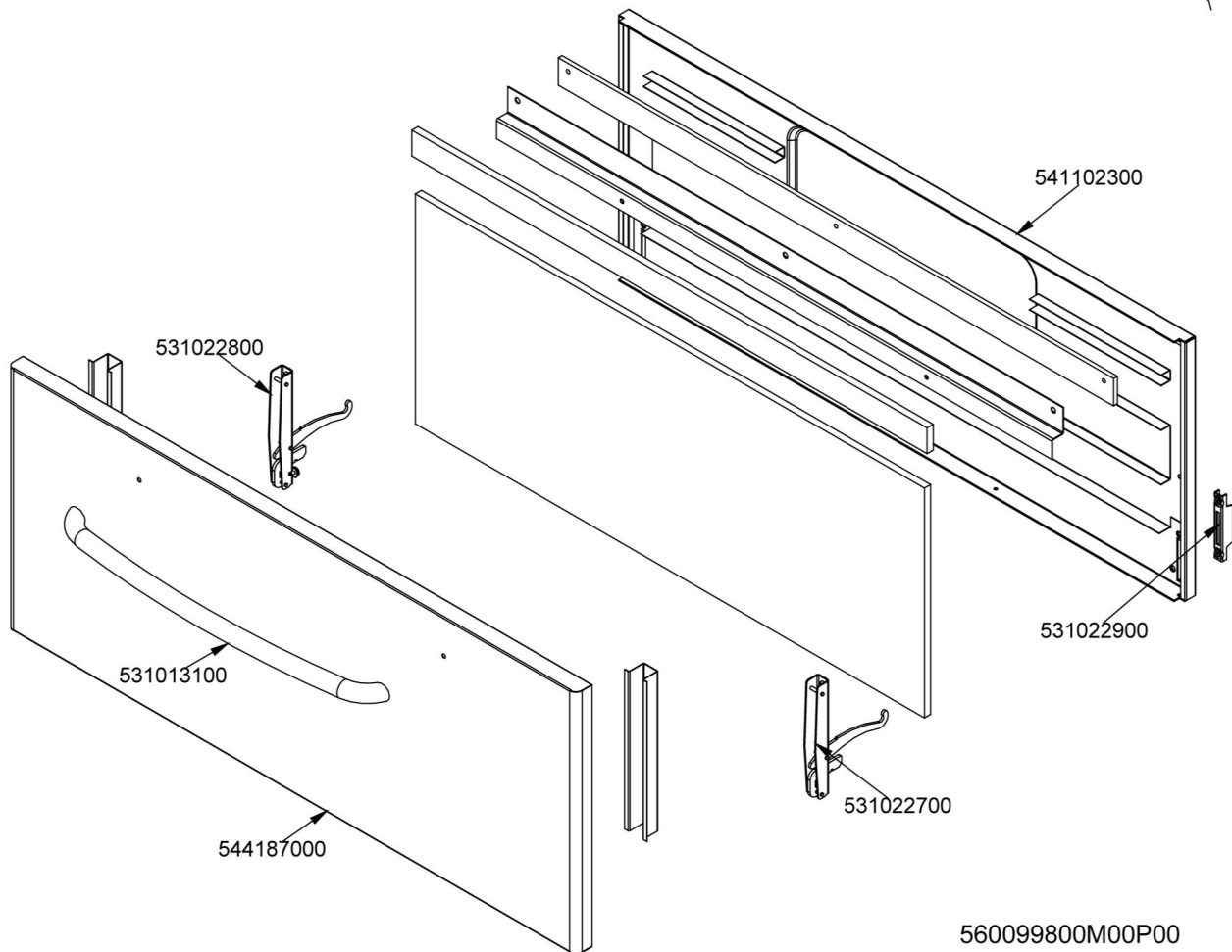


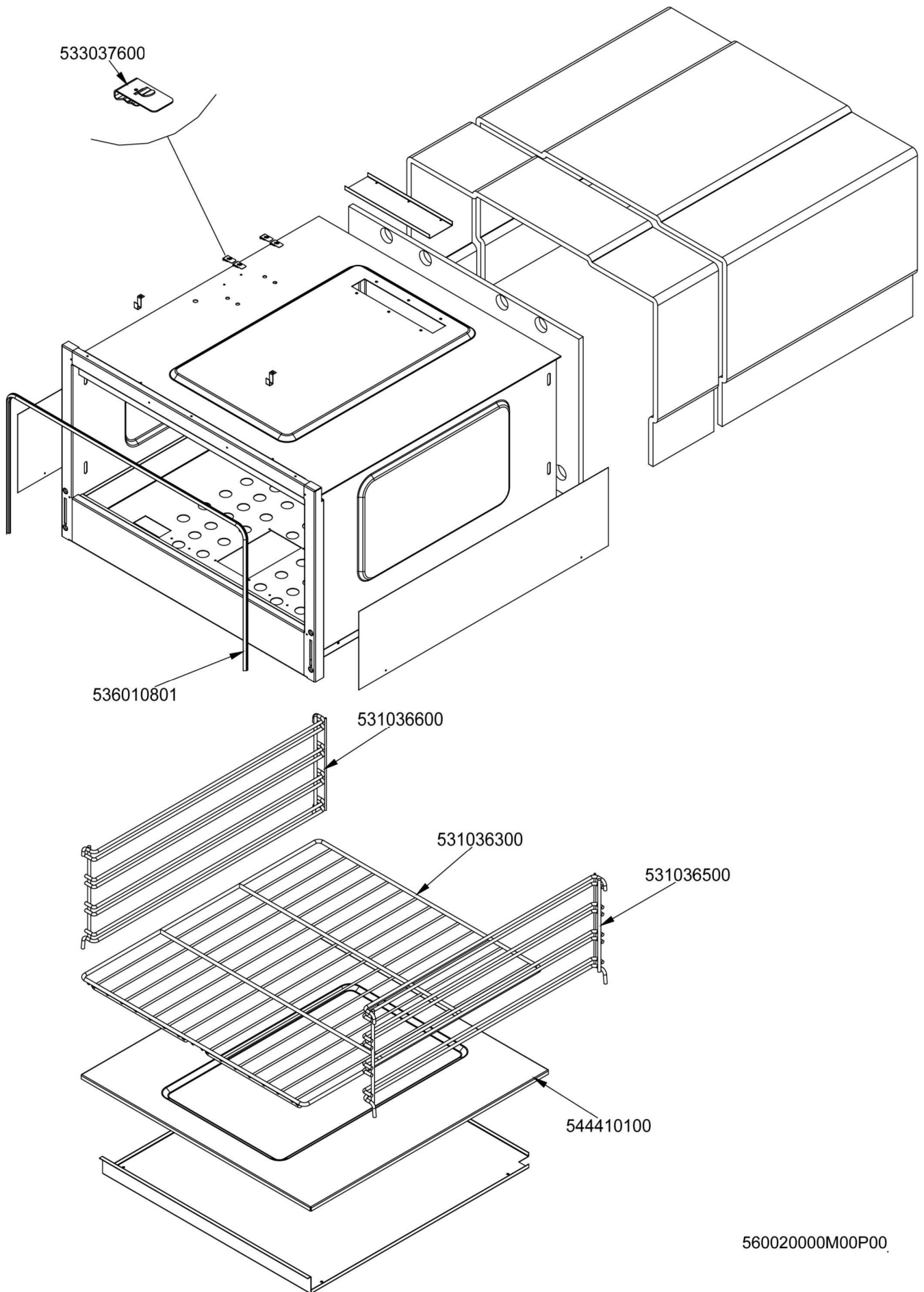
GN2/1

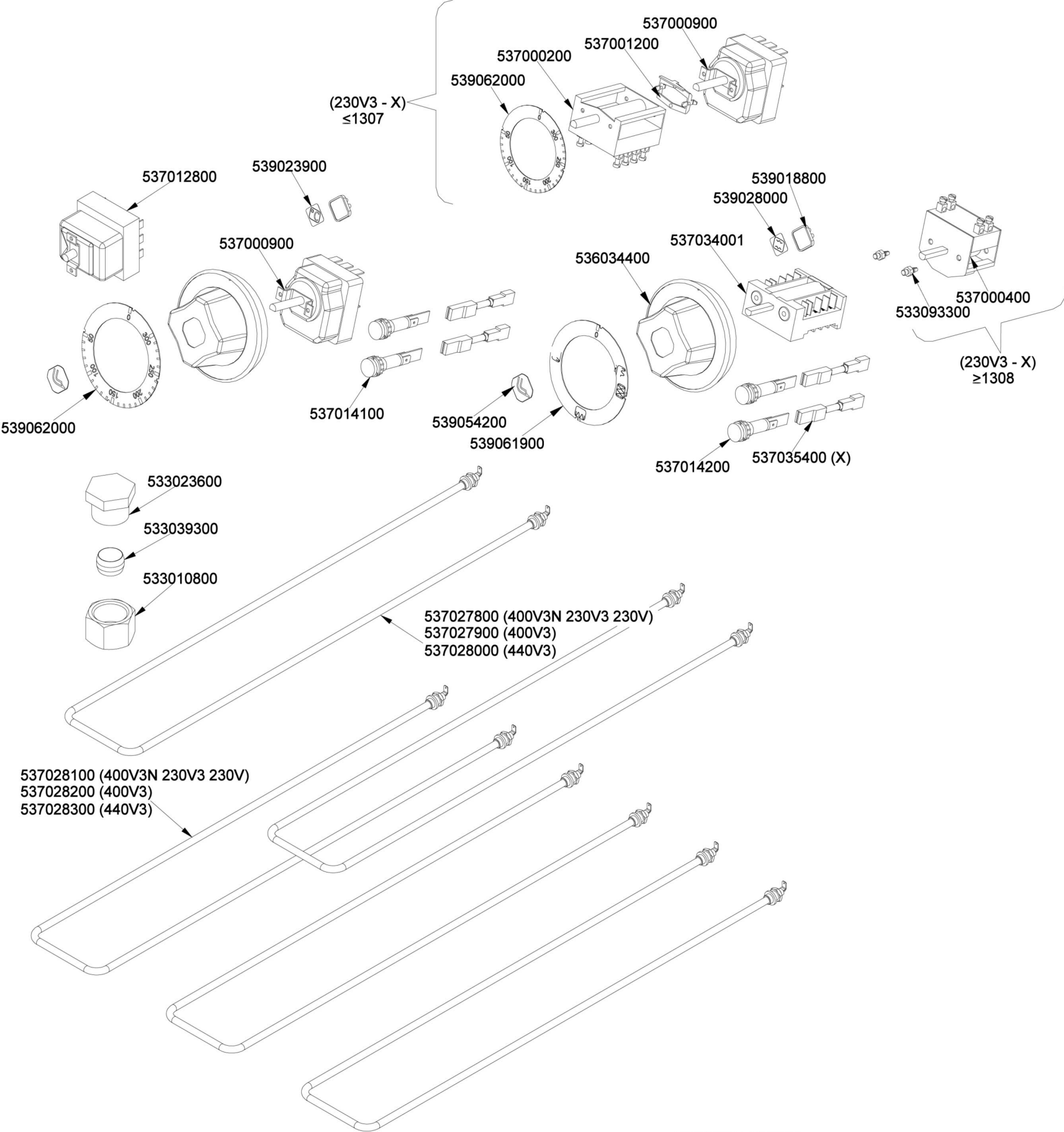


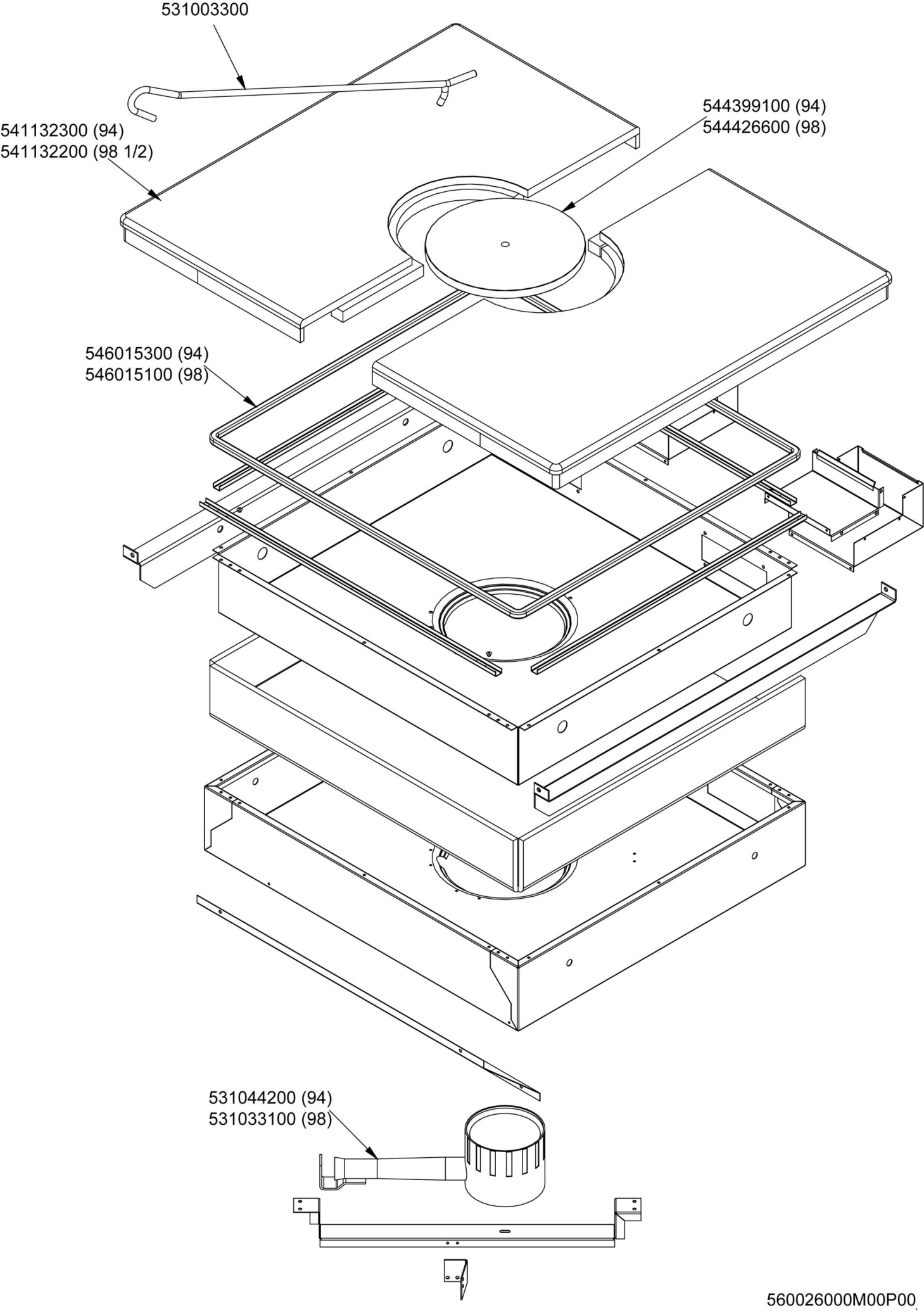
GN3/1



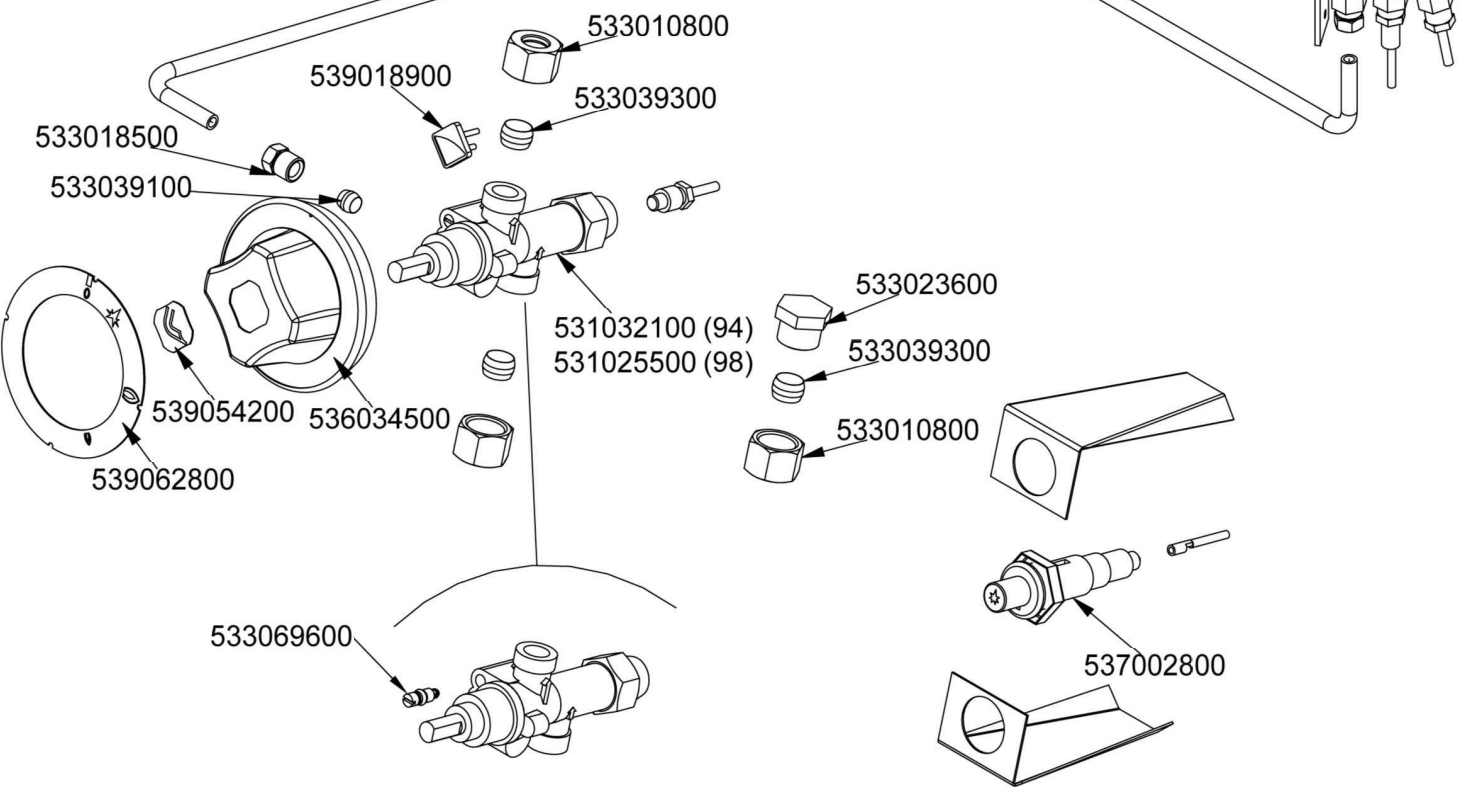
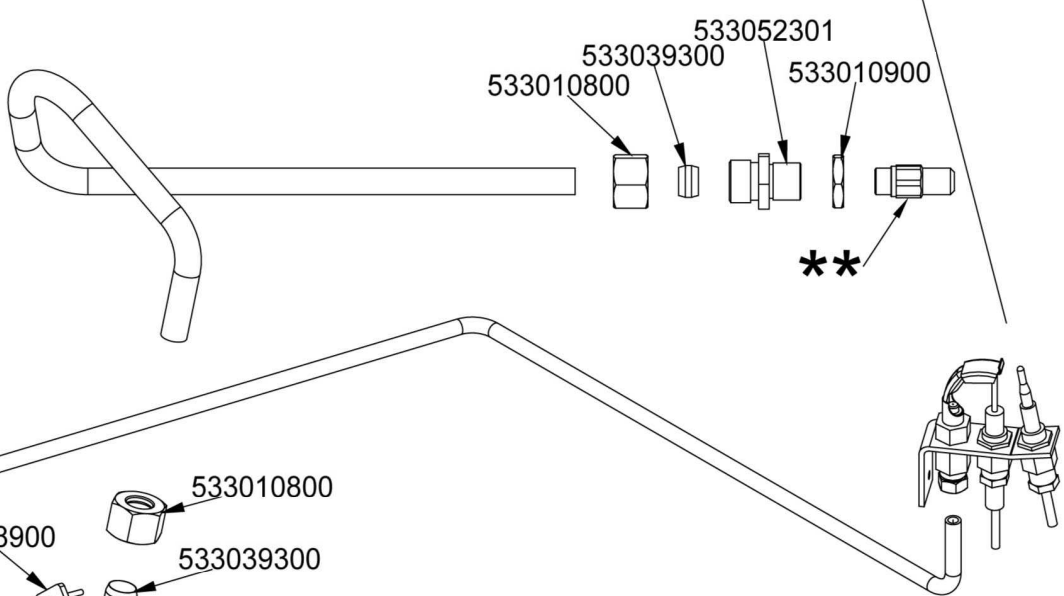
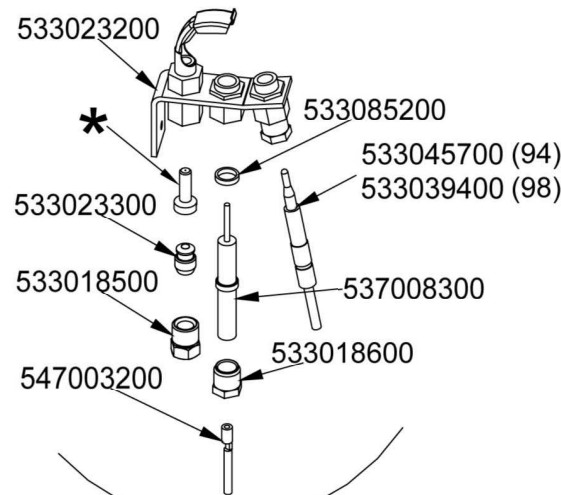
560099800M00P00







	*	**	**
		TP-94	TP-98
G30-28+30mbar G31- 37mbar	533020500	533057700	533019600
G30- 50mbar	533020500	533057600	533046200
G20- 20mbar G25- 25mbar	533020600	533047400	533057500
G20- DE-AT	533020600	533047400	533057500
G25- 20mbar	533020600	533047300	533032801
G25- NL	533020600	533047500	533032001
G20- 25mbar	533020600	533046400	



Page	Pos	Code	Description
001		532004100	FLUE GRID L=370 90LINE (RAF
001		541118100	UPPER PLATE TP-98G TPF-98G
001		537027400	TERMINAL BLOCK THREEPHASE 40A
001		544407200	RIGHT SIDE PANEL RANGE 70 LINE
001		541110201	CONTROL PANEL TPF-78GE TPF-98G
001		544407100	RIGHT SIDE PANEL RANGE 90 LINE
001		536005200	INOX LEG 2" 120-180 M10
002		544187100	OVEN INNER DOOR GN 2/1 70/90LINE
002		531022800	LEFT OVEN DOOR HINGE S.70
002		531013100	OVEN DOOR HANDLE OF 70/90-LINE
002		544186900	OVEN DOOR GN 2/1 70/90LINES
002		531022700	RIGHT OVEN DOOR HINGE 70LINE
002		531022900	HINGE DOOR WHEEL HOLDER S.70
002		541102300	GAS OVEN INNER DOOR GN 3/1 S.70
002		544187000	OVEN DOOR GN 3/1 S.70
003		533037600	LOCK SPRING FOR BULB
003		536010801	OVEN GASKET GN 2/1 (1308
003		531036600	LHD RACK HOLDER FOR OVEN S.90
003		531036300	OVEN RACK GN 2/1 FOR 90 LINE
003		531036500	RHD RACK HOLDER FOR OVEN S.90
003		544410100	90 ELECTRICAL OVEN BOTTOM GN2/1
004		539023900	SIGN PLATE FOR OVEN TEMPERATURE
004		537012800	SAFETY THERMOSTAT 420°C THREEPHASE
004		537000900	THERMOSTAT 063-320°C THREEPHASE
004		537014100	WHITE WARNING LIGHT 250V
004		539054200	STAMP O20,5 CR."L" LOTUS R.
004		539061900	ADESIVE DISK FOR SWITCH OVEN S70
004		536034400	KNOB §77 4P. §06*4,6 C/M
004		537034001	COMMUTATOR 4 POS.3PHASE S.42 16A
004		539028000	SELECTOR SIGN PLATE FOR OVEN
004		539018800	BLANK INDEX FOR KNOB
004		537014200	GREEN WARNING LIGHT 250V
004		539062000	ADESIVE DISK THERMOSTAT OVEN S70
004		533023600	TAP PLUG §10 M16*1, 5CH19
004		533039300	BICONE §10
004		533010800	TUBE NUT D.10 M16*1,5
004		537027800	OVENUPPER HEATING EL. W800 V230 90L
004		537027900	OVENUPPER HEATING EL. W800 V400 90L
004		537028000	OVENUPPER HEATING EL. W800 V440 90L
004		537028100	OVEN LOWER HEATING EL.W700 V230 90L
004		537028200	HEATING ELEMENT 1700W 400V OVEN S70
004		537028300	OVEN LOWER HEATING EL.W1700 V230 90
005		531003300	TP-PLATE LIFTING HOOK
005		541132300	PLATE TP-94G
005		541132200	PLATE TP-98G (1/2
005		544399100	PLATE RING FOR TP-74G TP-94G
005		544426600	PLATE RING FOR TP-98G
005		546015300	SQUARE BRAID 12*12*L=1821
005		546015100	SQUARE BRAID OF INSULATING MATERIAL
005		531044200	CIRCULAR BURNER TP D.066
005		531033100	BURNER TP..-78G

Page	Pos	Code	Description
006		533023200	TARGET PILOT + NIPPLE TC BRAC.90°
006		533085200	SPACER FOR PILOT PLUG
006		533045700	THERMOCOUPLE M9*1 500
006		533039400	THERMOCOUPLE M9*1*850
006		533023300	BICONE §6 ("TARGET" PILOT
006		537008300	ROUND PLUG §2,4- LONG ELECTRODE
006		533018500	FITTING FOR BICONE D.6 M10*1
006		547003200	HIGH-VOLTAGE CABLE TUBE.§2 L=500
006		533018600	PLUG FITTING
006		533010900	NUT M14*1 H.4
006		533052301	JOINT FOR NOZZLE HOLDER
006		533039300	BICONE §10
006		533010800	TUBE NUT D.10 M16*1,5
006		539018900	INDEX FOR KNOB W/RED SIGN
006		533039100	BICONE §6
006		539062800	RED STICKING DISK 72
006		539054200	STAMP O20,5 CR."L" LOTUS R.
006		536034500	KNOB §77 4P. §08*6,5
006		531032100	GAS COCK 21S P.V.BY-PASS O100
006		531025500	GAS COCK 21S P.V.BY-PASS O130
006		533023600	TAP PLUG §10 M16*1, 5CH19
006		533069600	BY PASS COCK §130 20S-21S
006		537002800	PIEZOELECTRIC IGNITION M18 WITH NUT
006		533020500	NOZZLE 0.140 §19
006		533020600	NOZZLE 0.140 §27
006		533057700	NOZZLE §130A CH12*30 F-BRF74
006		533057600	NOZZLE §115A CH12*30 G-BRF74
006		533047400	NOZZLE §195 CH12*30 M-BM8
006		533047300	NOZZLE §215 CH12*30 L-BM8
006		533047500	NOZZLE §205 CH12*30 ML-BM-8G
006		533046400	NOZZLE §185 CH12*30 G-CPM
006		533019600	NOZZLE §165 CH12*30 MH-FT5 H-FT6
006		533046200	NOZZLE §150 CH12X30 L-BR TP
006		533057500	NOZZLE §260 CH12X30
006		533032801	NOZZLE §280 CH12*30 M-CPM
006		533032001	NOZZLE §270 CH12*30 MH-CPM