

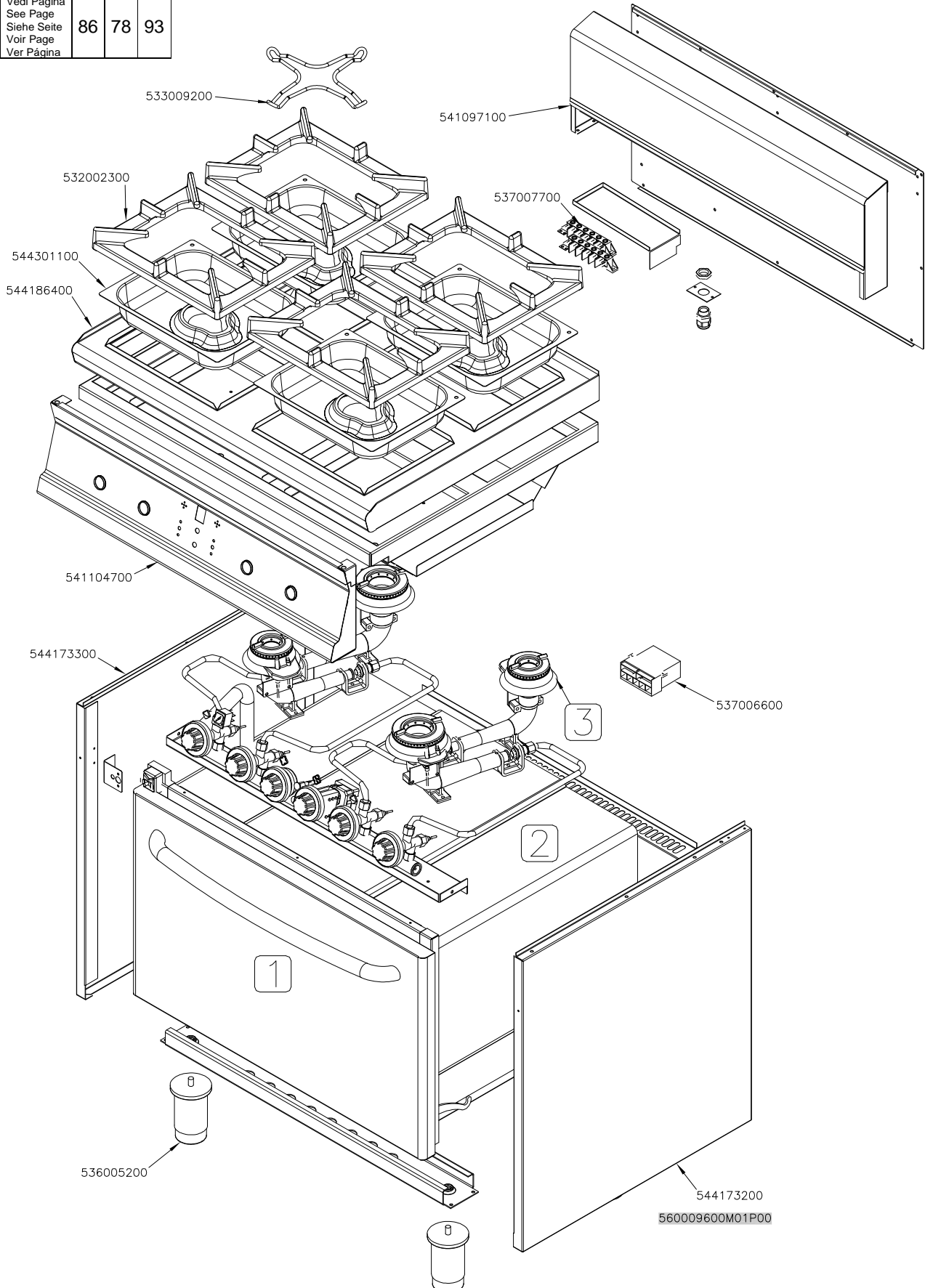
SUPERLOTUS 70₂0601

CUCINE / RANGES / HERDE / CUISINIÈRES

CF...4-78...

CF4-78GE

	1	2	3
Vedi Pagina See Page Siehe Seite Voir Page Ver Pàgina	86	78	93



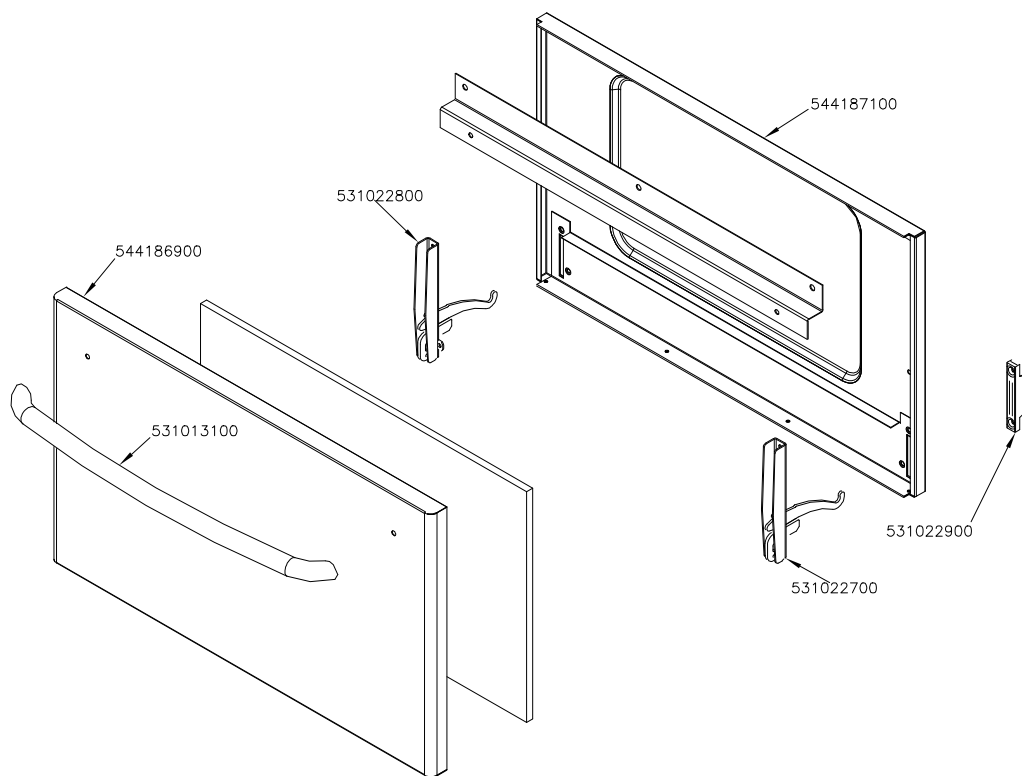
SUPERLOTUS 70≤0601

CUCINE / RANGES / HERDE / CUISINIÈRES

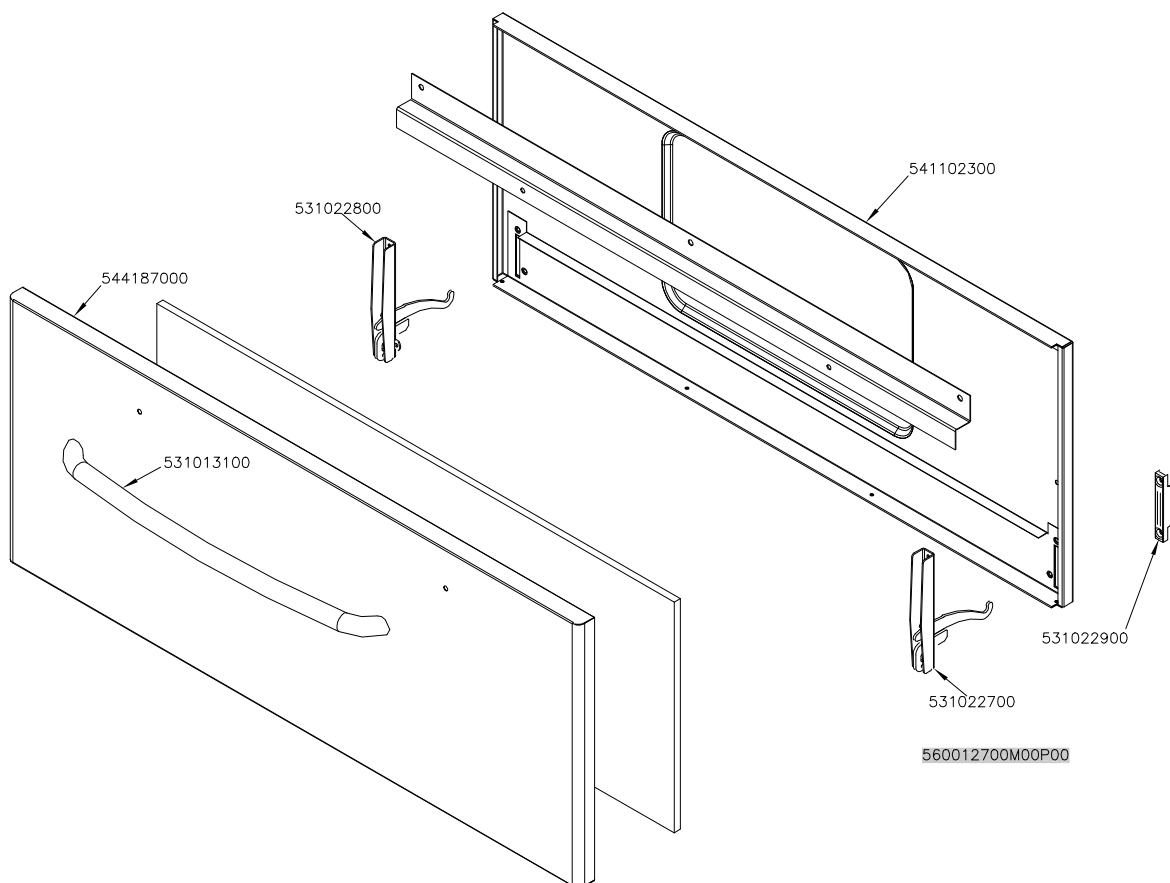
FORNO / OVEN / BACKOFEN / FOUR

PORTE / DOORS / TÜREN / PORTES

GN 2/1



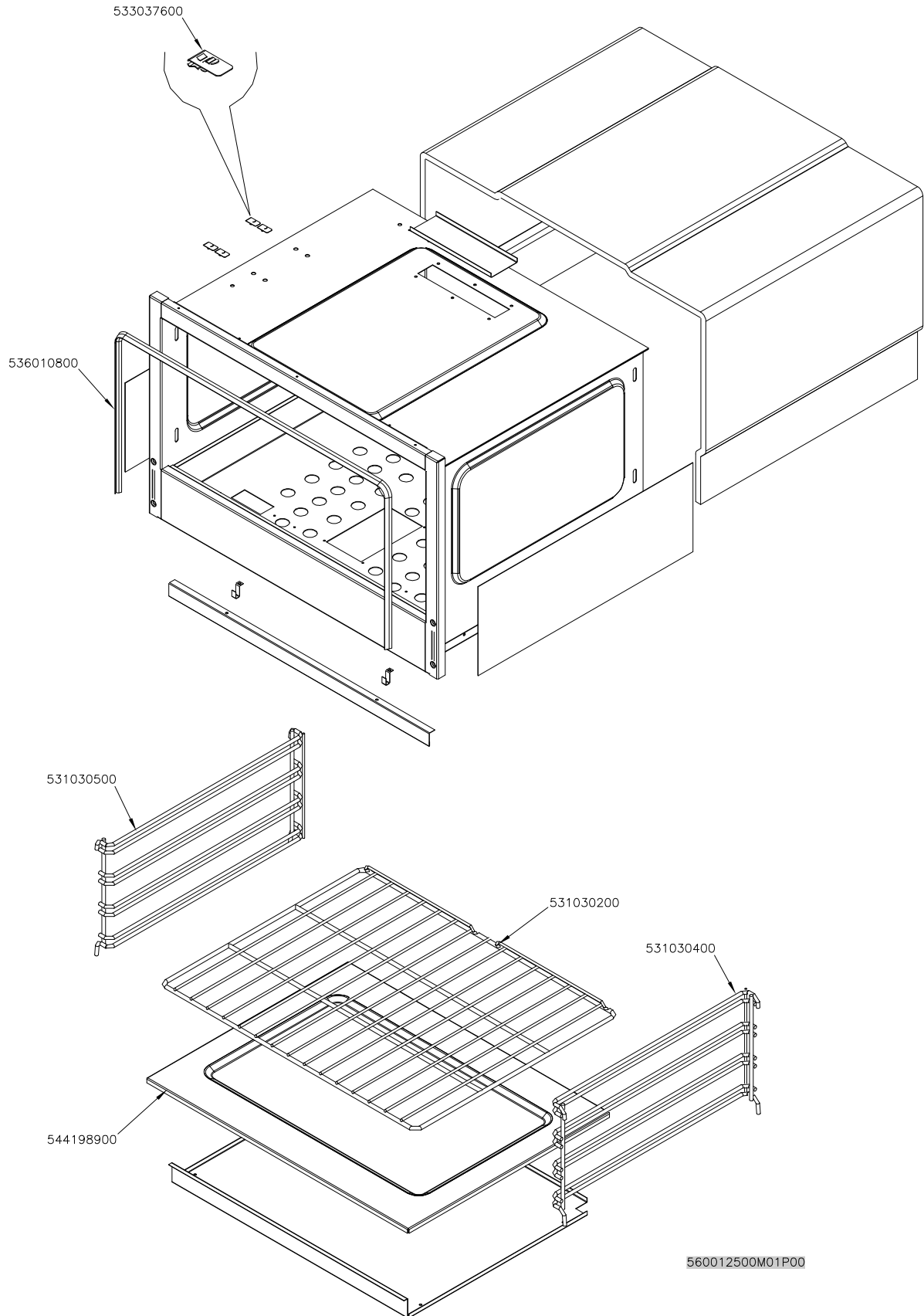
GN 3/1



SUPERLOTUS 70₂0601

CUCINE / RANGES / HERDE / CUISINIÈRES
FORNO / OVEN / BACKOFEN / FOUR

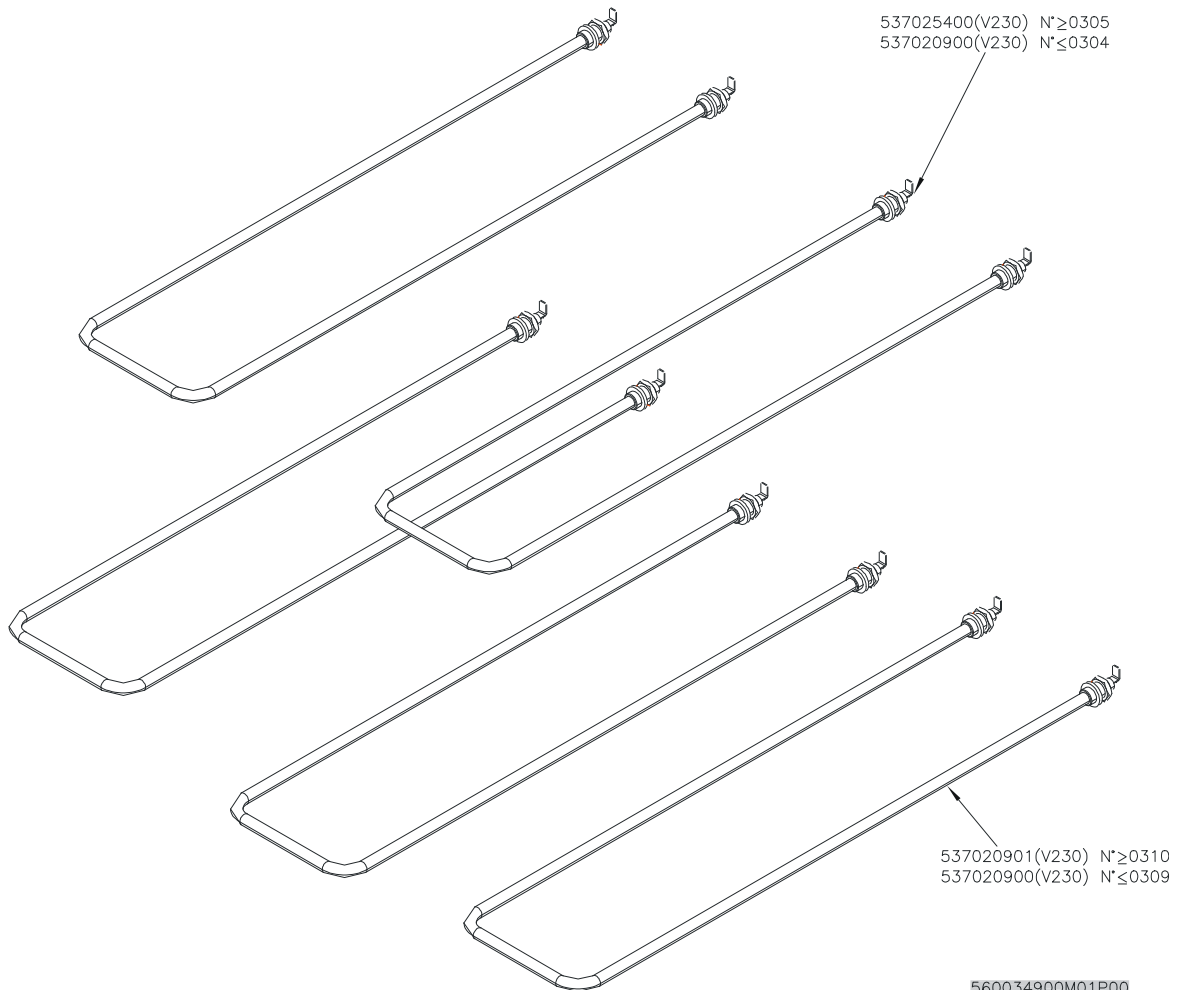
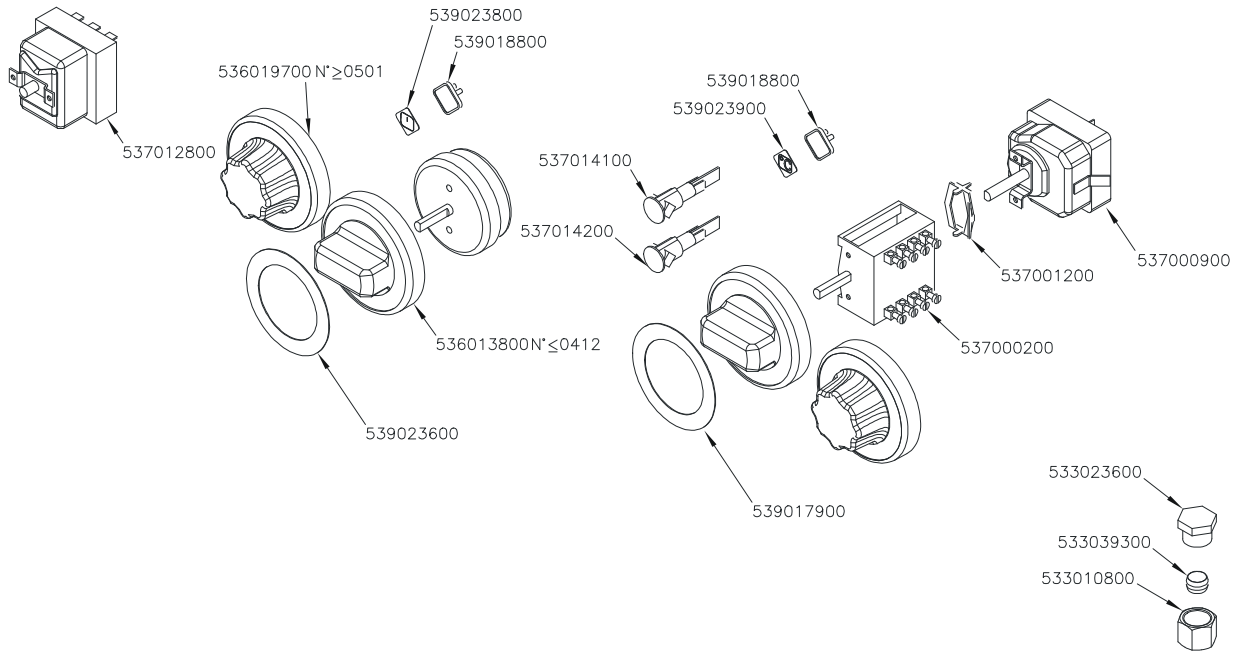
ELETTRICO / ELECTRICAL / ELEKTRO / ELECTRIQUE / GN 2/1



SUPERLOTUS 70≤0601

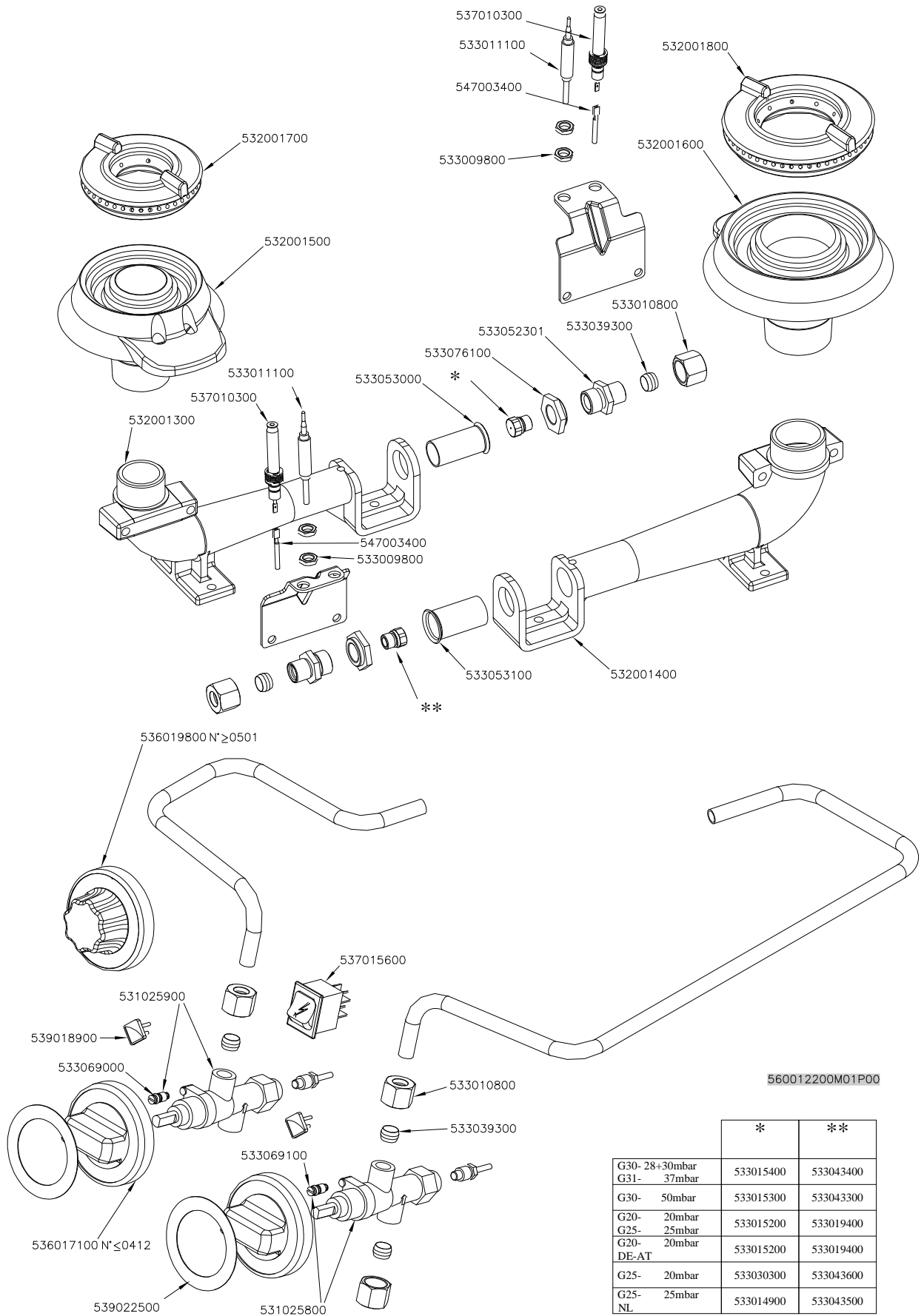
CUCINE / RANGES / HERDE / CUISINIÈRES
FORNO / OVEN / BACKOFEN / FOUR

ELETTRICO / ELECTRICAL / ELEKTRO / ELECTRIQUE / GN 2/1



560034900M01P00

PC-G



Page	Pos	Code	Description
001		533009200	REDUCTION FOR 65 AND 70 LINE
001		541097100	NEUTRAL SPACER 78
001		537007700	TERMINAL BLOCK THREEPHASE 40A
001		532002300	1 FLAME GRILL 346X274 (70)
001		544301100	ENAMELLED BURNER DRIP PAN 1/2
001		544186400	UPPER PLATE PC-78G CF4-78G
001		541104700	CONTROL PANEL CF4-78GE
001		544173300	LEFT SIDE PANEL RANGE S.70
001		537006600	IGNITION UNIT 4 FLAMES V230
001		536005200	INOX LEG 2" 120-180 M10
001		544173200	RIGHT SIDE PANEL RANGE S.70
002		544187100	OVEN INNER DOOR GN 2/1 S.70
002		531022800	LEFT OVEN DOOR HINGE S.70
002		531022900	HINGE DOOR WHEEL HOLDER S.70
002		531022700	RIGHT OVEN DOOR HINGE 70LINE
002		544186900	OVEN DOOR GN 2/1 S.70
002		531013100	OVEN DOOR HANDLE OF 70/90-LINE
002		541102300	GAS OVEN INNER DOOR GN 3/1 S.70
002		544187000	OVEN DOOR GN 3/1 S.70
003		533037600	LOCK SPRING FOR BULB
003		536010800	OVEN GASKET GN 2/1 (1261)
003		531030500	LHD SUPPORT GRID FOR OVEN OF 70LINE
003		531030200	OVEN GRID GN 2/1 FOR 70 LINE
003		531030400	RHD SUPPORT GRID FOR OVEN OF 70LINE
003		544198900	70 ELECTRICAL OVEN BOTTOM GN2/1
004		537012800	SAFETY THERMOSTAT 420°C THREEPHASE
004		536019700	BLACK KNOB §70 PIN §6*5
004		539023800	SIGN PLATE FOR OVEN TIMER
004		539018800	INDEX FOR OVEN KNOB
004		539023900	SIGN PLATE FOR OVEN TEMPERATURE
004		537014100	WHITE WARNING LIGHT 250V
004		537014200	GREEN WARNING LIGHT 250V
004		536013800	KNOB D.70 BLACK 6*5 WITH SPRING
004		539023600	ADHESIVE GRADUATED DISC FOR KNOB
004		537000900	THERMOSTAT 50-320°C THREEPHASE
004		537001200	FIXING BRACKET FOR THERMOSTAT/COMM.
004		537000200	COMMUTATOR 1 POS. 3PHASE S.49 16A
004		539017900	ADHESIVE GRADUATED DISC FOR KNOB
004		533023600	TAP PLUG §10 M16*1, 5CH19
004		533039300	BICONE §10
004		533010800	TUBE NUT D.10 M16*1,5
004		537025400	OVEN UPPER HEAT.EL.W700 V230 70LINE
004		537020900	HEATING ELEMENT 1000W 230V OVEN S70
004		537020901	HEATING ELEMENT 1200W 230V OVEN S70
005		537010300	PLUG IGNITION WITH SPRING PC65
005		533011100	THERMOCOUPLE 600 M8*1
005		547003400	HIGH-VOLTAGE CABLE L=900
005		533009800	BRASS NUT M8*1
005		532001800	QUICKBURNER §102
005		532001600	BURNER BODY 5,5 KW
005		532001700	QUICKBURNER §82

Page	Pos	Code	Description
005		532001500	BURNER BODY 3,5 KW
005		533010800	TUBE NUT D.10 M16*1,5
005		533039300	BICONE §10
005		533052301	JOINT FOR NOZZLE HOLDER
005		533076100	HEXAGONAL NUT M14X1 H4 + BUSHING
005		533053000	AIR ADJUSTMENT BUSHING §18
005		532001300	BURNER VENTURI 3,5 KW
005		533053100	AIR ADJUSTMENT BUSHING §20
005		532001400	BURNER VENTURI 5,5 KW
005		536019800	BLACK KNOB §70 PIN §8*6,5
005		531025900	SAFETY TAP 20S-B PEL20S21070
005		539018900	INDEX FOR KNOB
005		533069000	BY PASS COCK §70 20S-21S
005		536017100	BLACK KNOB §70 PIN §8*6,5
005		539022500	ADHESIVE GRADUATED DISC FOR KNOB
005		537015600	BIPOLAR SWITCH
005		533069100	BY PASS COCK §60 20S
005		531025800	SAFETY TAP 20S-B PEL20S2160
005		533015400	NOZZLE §93 CH12*14 G-PC4 R
005		533043400	NOZZLE §117 CH12*14 G-PC4 UR
005		533015300	NOZZLE §82 CH12*14 F-PC4 R
005		533043300	NOZZLE §103 CH12*14 F-PC4 UR
005		533015200	NOZZLE §145 CH12*14 F-FP/CP6
005		533019400	NOZZLE §180 CH12*14 L-FQ5
005		533030300	NOZZLE §160 CH12*14 M-FPG
005		533043600	NOZZLE §200 CH12*14 L-PC4 UR
005		533014900	NOZZLE §150 CH12*14 F-FQ5 L-FQ6
005		533043500	NOZZLE §190 CH12*14 G25 PC4R