



coffeeing the World

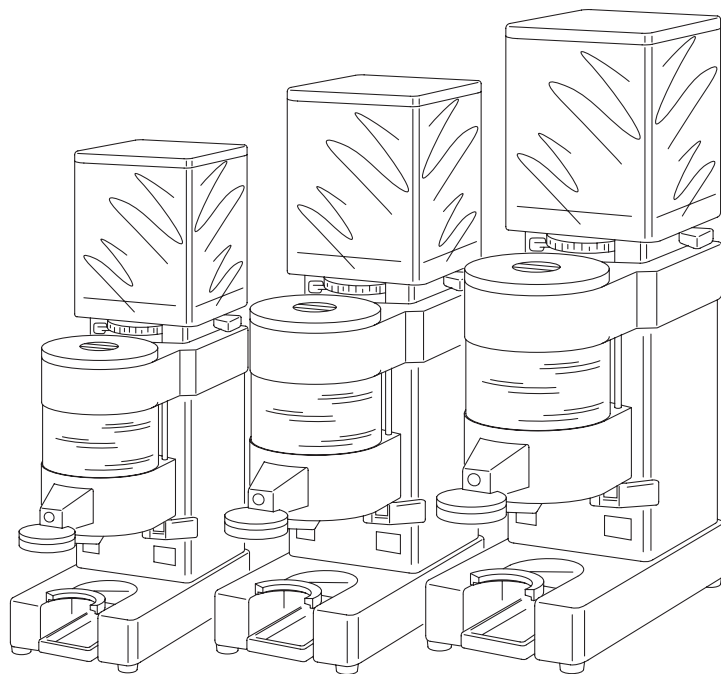
C608

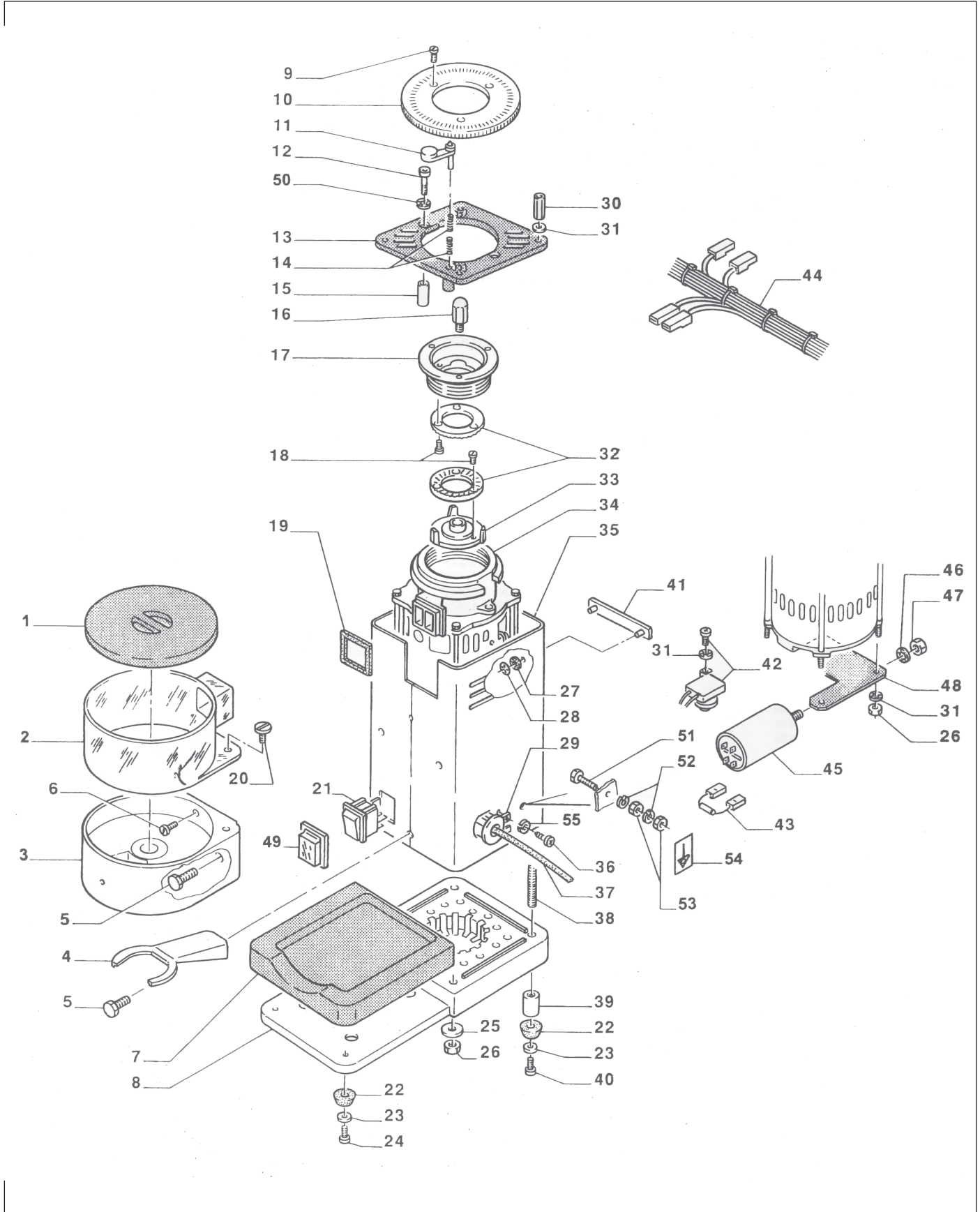
Ricambi - Spare Parts - Repuestos 2008

ITALIANO - ENGLISH - ESPAÑOL

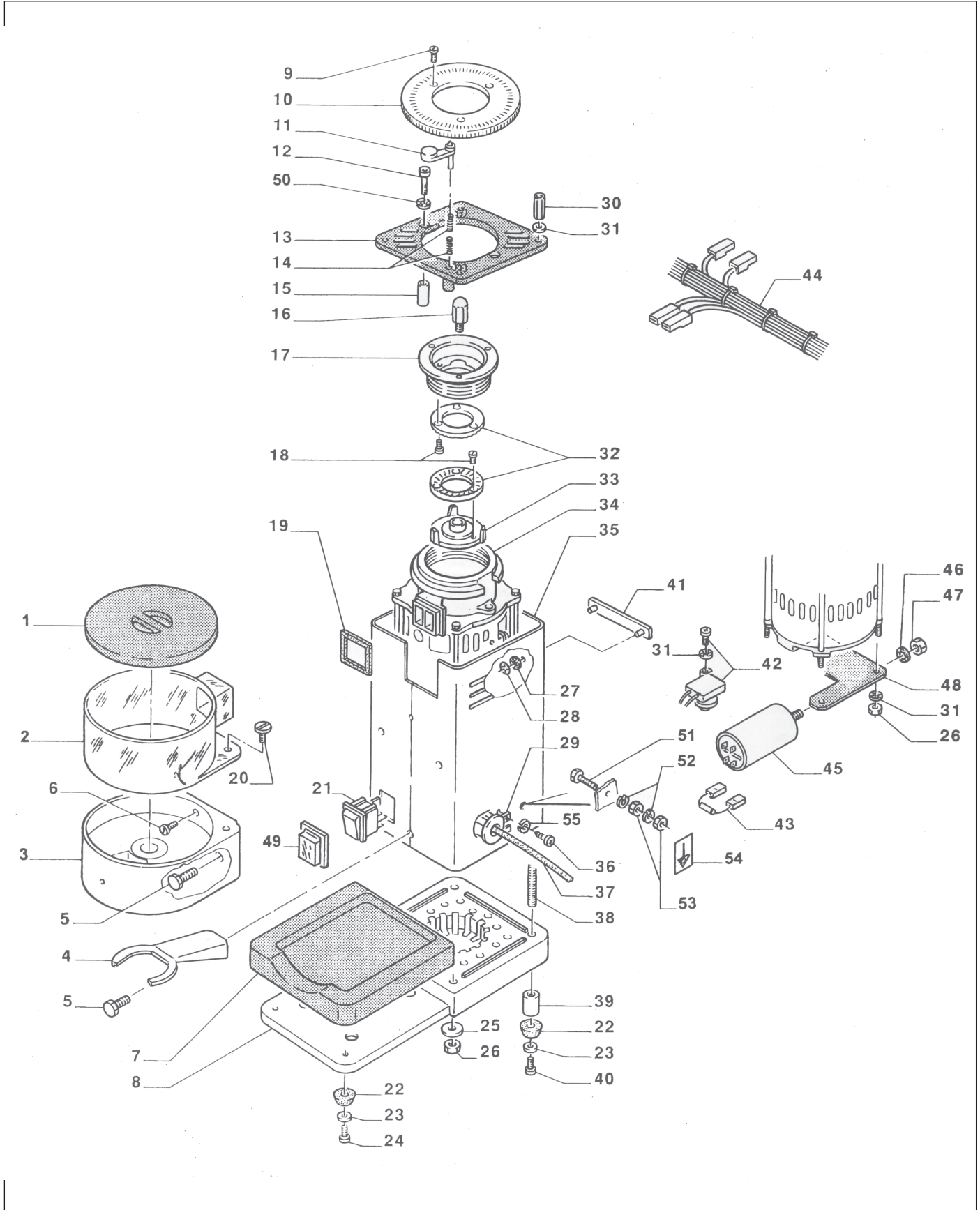
MD

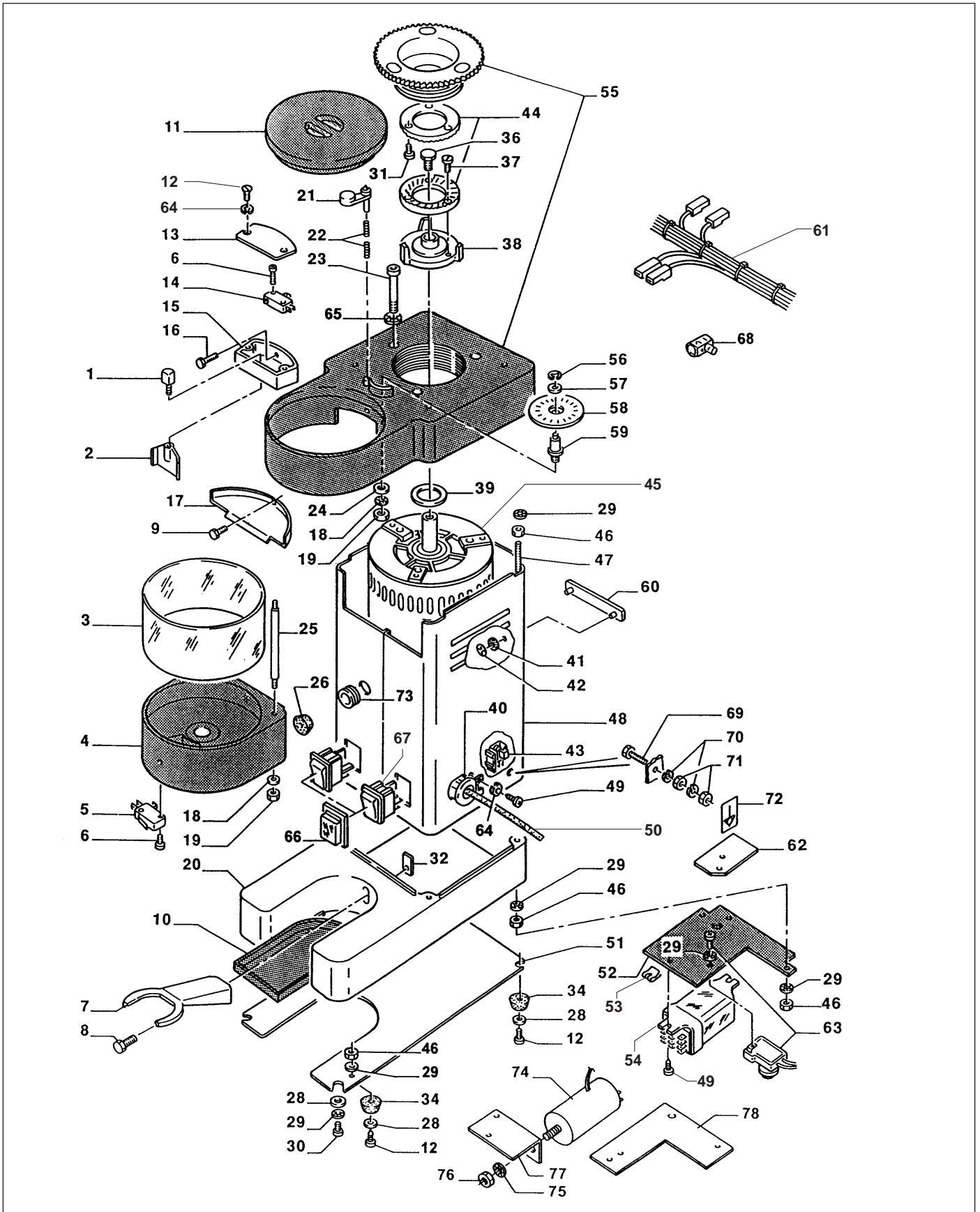
MD 80 / 50 / 40



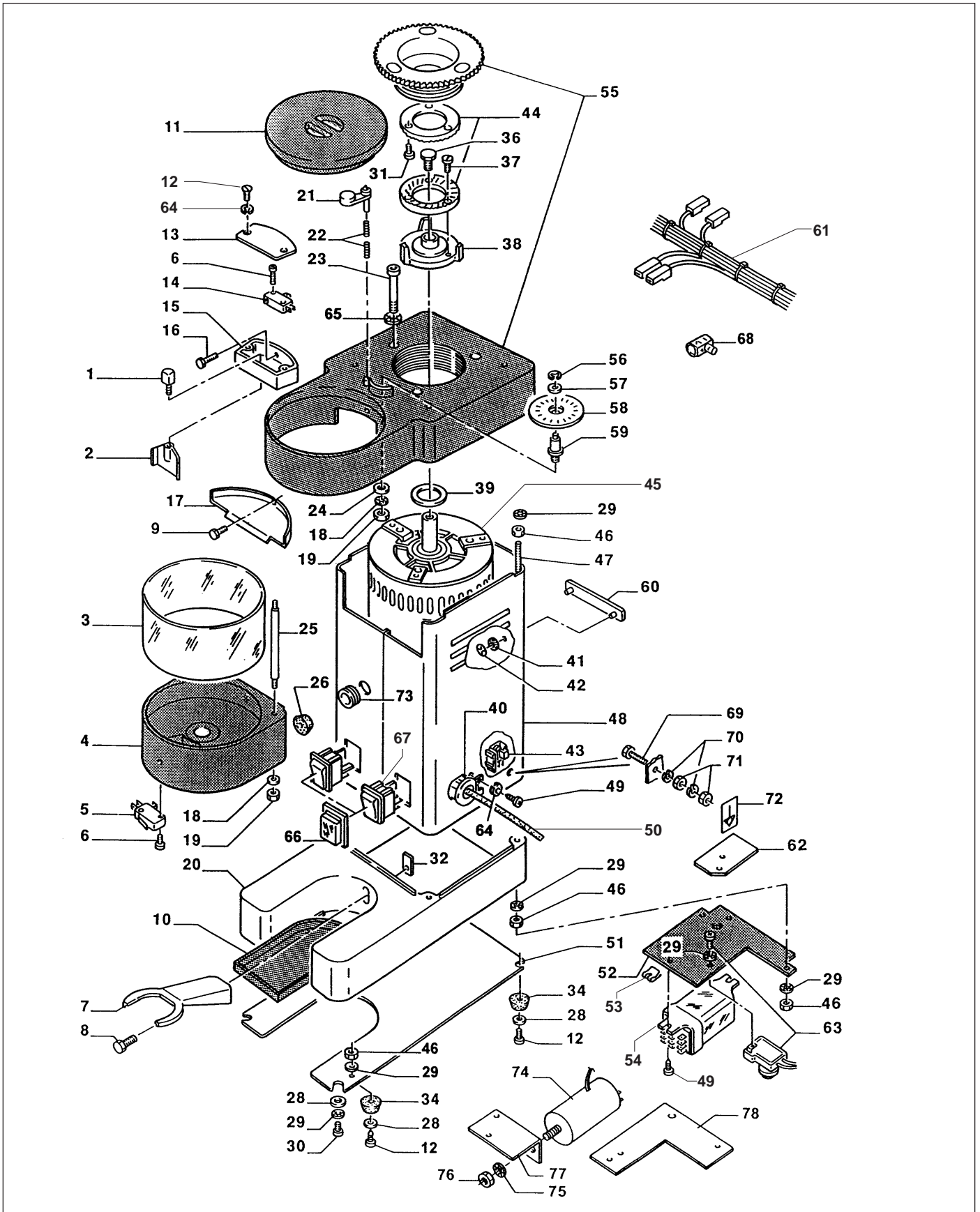


| Rif. | CODICE | DESCRIZIONE | DESCRIPTION | DESCRIPCION |
|------|------------------|--------------------------------|---------------------------|-----------------------------|
| 001 | 38120024 | COPERCHIO DOSATORE MD | COVER FOR MD GRINDER | TAPA DOSADOR MD |
| 002 | 38125014A | SERBATOIO MD40 AZZURRO | TANK MD 40 BLUE | CONTENEDOR MD40 AZUL |
| 003 | 21204002 | CORPO DOSATORE MD40 | MD 40 MIXER BODY | CUERPO DOSADOR MD 40 |
| 004 | 21210502 | FORCHETTA MD 40 | MD 40 FORK | HORQUILLA MD 40 |
| 005 | 37040610 | VITE M6X10 | SCREW M 6 X 10 | TORNILLO M 6 X 10 |
| 006 | 37020414 | VITE M4X14 | SCREW M 4 X 14 | TORNILLO M 4 X 14 |
| 007 | 38120041 | RACCOGLIT.CAFFE' MD 40 | MD 40 PICKER | RECOGEDOR MD 40 |
| 008 | 21202301 | BASAMENTO MD40 | MD 40 BASE | BLOQUE MD 40 |
| 009 | 37030510 | VITE M5X10 | SCREW M5X10 | TORNILLO M 5 X 10 |
| 010 | 38120042 | GHIERA REG.MACIN.MD40 | MD 40 BUSH | VIROLA MD 40 |
| 011 | 22208501 | FERMO GHIERA MD50 | MD40-50 BUSH STOP | RETENCION VIROLA MD40-50 |
| 012 | 37060635 | VITE M6X35 | SCREW M6X35 TCEI ACC.BR. | TORNILLO M 6 X 35 TCEI |
| 013 | 21202101 | TESTATA MD40 | MD 40 HEAD | CULADA MD 40 |
| 014 | 39120035 | MOLLA SPINETTA MD | MD PIN SPRING | RESORTE PASADOR MD |
| 015 | 28100001 | DISTANZIALE TEST.MD40 | MD40 SPACE SLEEVE | SEPARADOR TEST. MD40 |
| 016 | 26122001 | VITE FISS.P.MACINA MD40 | SCREW | TORNILLO |
| 018 | 37030407 | VITE M 4X7 | SCREW M4X7 | TORNILLO M 4 X 7 |
| 019 | 36301026 | GUARN.BOCCA SCAR.MD40 | MD 40 GASKET | JUNTA MD40 |
| 020 | 37030511 | VITE INOX M5X12 | SCREW INOX M5X12 | VITE INOX M5X12 |
| 021 | 34030064 | INTERR.LUM.BIP.NERO 400V AC | PUSH BUTTON 400V AC | INTERR.LUM.BIP.NERO 400V AC |
| 022 | 36310003 | PIEDINO GOMMA MD50 | MD40-50 FOOT | PIE MD40-50 |
| 023 | 37410500 | RONDELLA PIANA D.5 FE.ZN. | PLANE WASHER DIAM.5 | ARANDELA PLANA D.5 |
| 024 | 37174012 | VITE TAPTITE 4X12 | SCREW 4 X 12 | TORNILLO 4 X 12 |
| 025 | 37410610 | RONDELLA D.6 X 18 FE.ZN. | WASHER DIAM. 6 X 18 | ARANDELA D.6 X 18 |
| 026 | 37310400 | DADO M4 ALTO FE.ZN. | NUT M 4 | TUERCA M 4 |
| 027 | 36201006 | RONDELLA SCALDATAZ.GOMMA SL 50 | RUBBER HEAT-CUP WASHER | ARANDELLA |
| 028 | 37900505 | FISSATORE TONDO D.3 | ROUND FIXER D3 H106 | GANCHO |
| 029 | 34200212 | MORSET-FISSACAVO + VITE | CLAMP + SCREW | BORNE + TORNILLO |
| 030 | 26206002 | PERNO GUIDA TRAM.MD40 | HOPPER PIN MD40 | PERNO TOLVA MD40 |
| 031 | 37430400 | ROS.DENT.EST.D.4 | OUTER TOOTHED WASHER D4 | ARANDELA DENTADA D.4 |
| 032 | 69000032 | COPPIA MACINE D.50 MD40 | COUPLE GRINDERS D50 | PAR MOLIENDA MD40 |
| 033 | 20114701 | PORTAMACINA INF. MD40-ROCKY | LOWER GRINDER HOLDER | PORTAMOLIENDA MD 40 |
| 034 | 14000110 | MOTORE MD40 115V COMPLETO | MD40 MOTOR 110V | MOTOR MD40 110V |
| | 14000220 | MOTORE MD40 230V COMPLETO | MD40 MOTOR 220/240V | MOTOR MD40 220/240V |
| 035 | 32330271 | CARROZZERIA MD40/N | BODY MD40/N | CARROCERIA MD40/N |
| 036 | 37153909 | VITE 3,9 X 9,5 | SELF-TAPP.SCREW 3.9 X 9.5 | TORNILLO 3,9 X 9,5 AUTOR. |
| 037 | 34300049 | CAVO CON SPINA | CABLE WITH PLUG | CABLE Y ENCHUFE 110V |
| | 34300052 | CAVO+SPINA | CABLE WITH PLUG AUSTRALIA | CABLE Y ENCHUFE AUSTRALIA |
| | 34300085 | CAVO+SPINA | CABLE WITH PLUG | CABLE Y ENCHUFE EUROPE |
| 038 | 37900304 | TIRANTE M4X250 MD40 | TIE ROD 4 MA X 250 | TIRANTE 4 MA X 250 |
| 039 | 23212006 | SPESSORE FILETT.MD40 | MD40 SHIM | ESPEJOR MD40 |
| 041 | 42200121 | TARGH.RANCILIO MM.70 | RANCILIO PLATE MM 70 | TARJETA RANCILIO MM 70 |
| 042 | 34020111 | DISGIUNTORE MD40 110V | CIRC.BREAKER 110V MD40 | DISYUNTOR 110V MD40 |
| | 34020112 | DISGIUNTORE MD40 230V | CIRC.BREAKER 220V MD40 | DISYUNTOR 220V MD40 |
| 043 | 34200043 | RESISTENZA 12 | HEATING ELEMENT | RESISTOR MD40-ROCKY |
| 044 | 14013009 | CABLAGGIO MD40 | CABLE MD40 | CABLE MD40 |

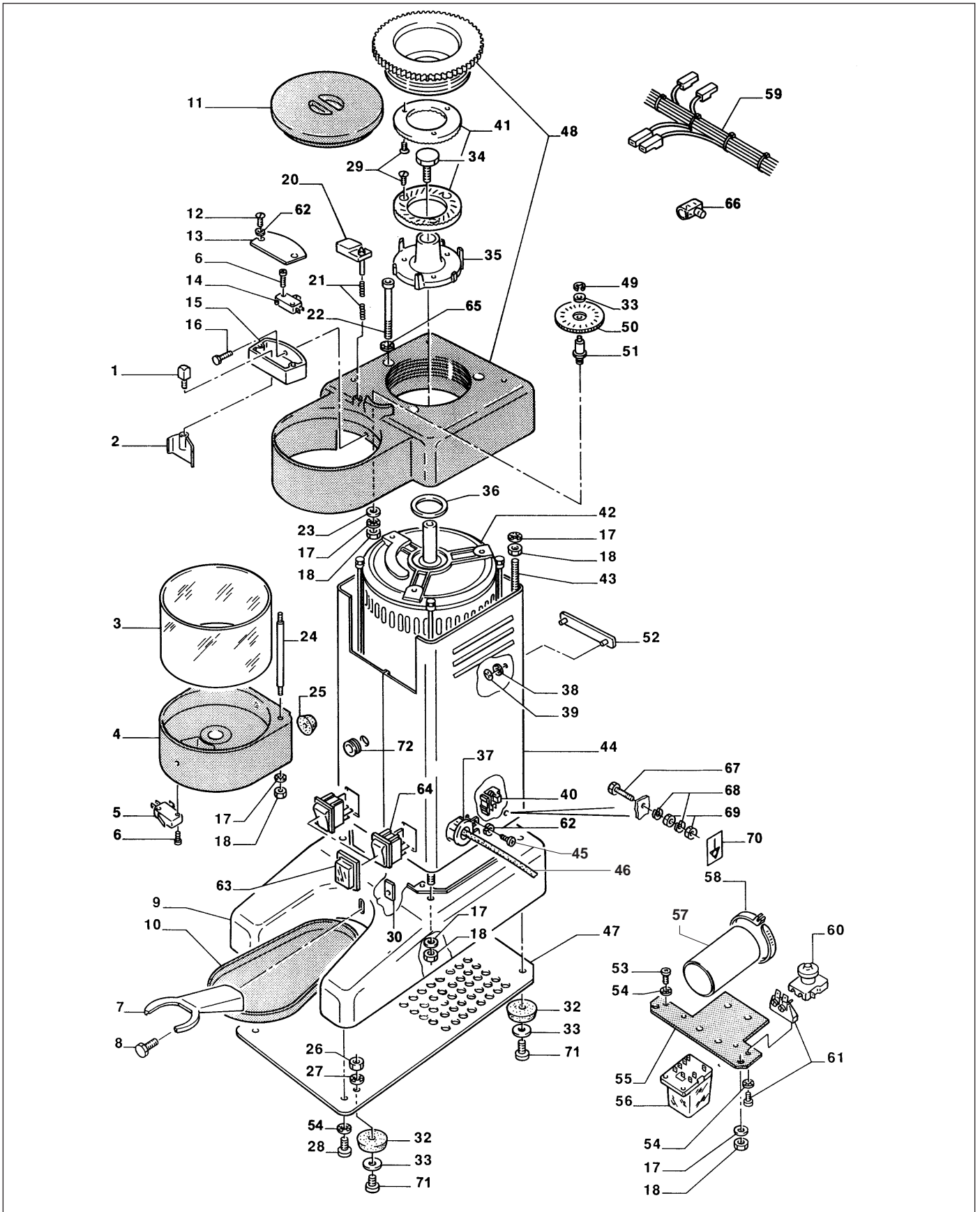




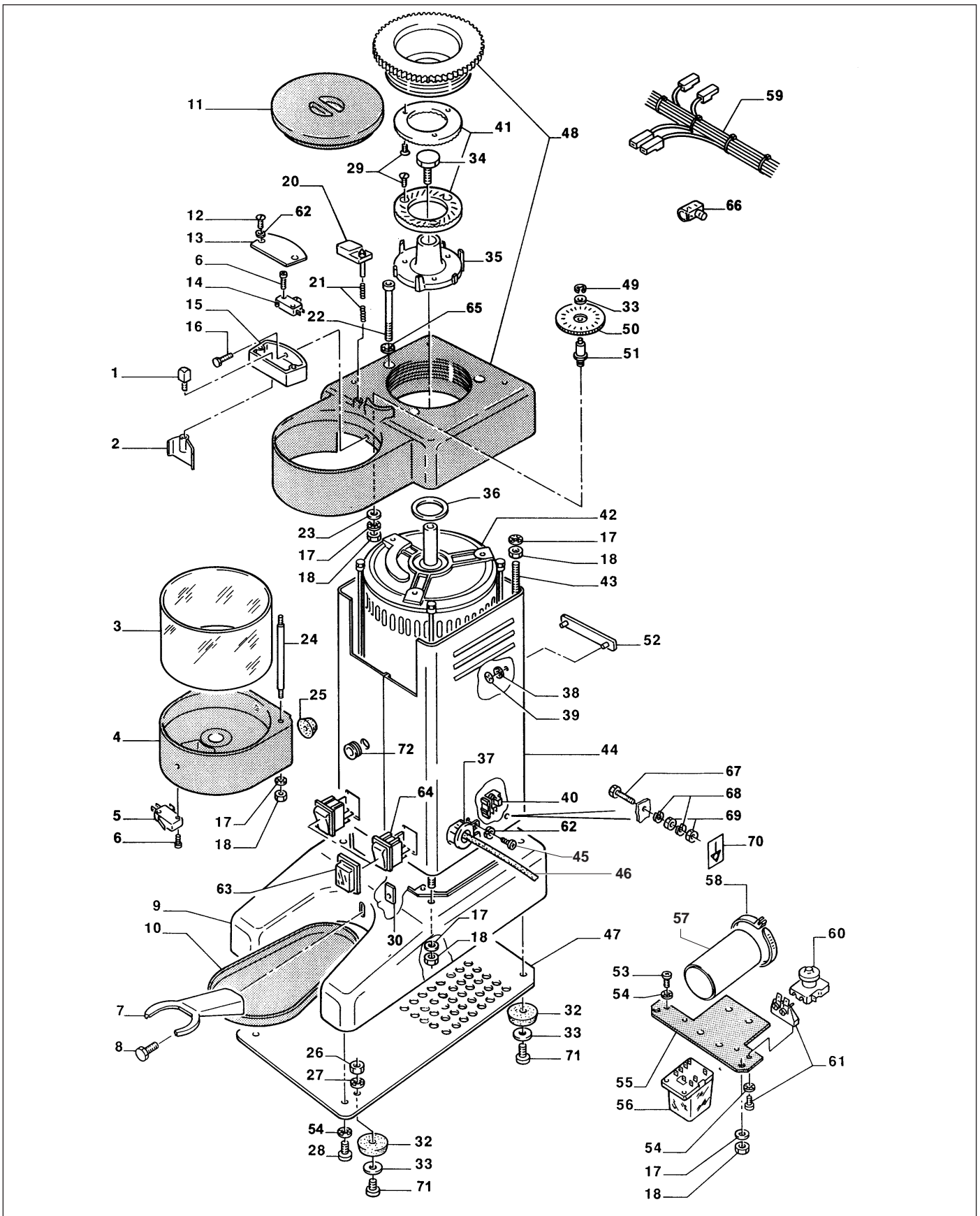
| Rif. | CODICE | DESCRIZIONE | DESCRIPTION | DESCRIPCION |
|------|------------------|--------------------------------|-----------------------------|-----------------------------|
| 001 | 23308005 | PERNO PALETTA MD-AT | MD-AT SHOVEL PIN | PERNO PALETA MD-AT |
| 002 | 22208001 | PALETTA ARRESTO MD/AT | MD/AT SHOVEL STOP | PALETA DE PARADA MD/AT |
| 003 | 38125008A | SERBATOIO MD50 AZZURRO | COFFEE TANK MD50 LIGHT BLUE | CONTENEDOR MD50 AZUL |
| 004 | 21204001 | CORPO DOSATORE MD50-80 | MD50-80 DOSING MIXER BODY | CUERPO DOSADOR MD50-80 |
| 005 | 34100004 | MICRO AVVIAMENTO MD/AT | MD/AT MICRO START | MICRO PUEST.EN MARC.MD/AT |
| 006 | 37173015 | VITE TAPTITE M3X15TC | SCREW M 3 X 15 TC | TORNILLO M 3 X 15 TC |
| 007 | 21210501 | FORCHETTA PORTAFIL.MD | MD50-80 FORK | HORQUILLA MD50-80 |
| 008 | 37040610 | VITE M6X10 | SCREW M 6 X 10 | TORNILLO M 6 X 10 |
| 009 | 37030410 | VITE M4X10 | SCREW M 4 X 10 | TORNILLO M 4 X 10 |
| 010 | 38120013 | RACCOGLIT.CAFFE' MD 50 | MD 50 PICKER | RECOGEDOR MD 50 |
| 011 | 38120024 | COPERCHIO DOSATORE MD | COVER FOR MD GRINDER | TAPA DOSADOR MD |
| 012 | 37174012 | VITE TAPTITE 4X12 | SCREW 4 X 12 | TORNILLO 4 X 12 |
| 013 | 21212502 | COPERCHIO SCAT.MICRO | MICRO BOX COVER | TAPA CAJA MICRO |
| 014 | 34100003 | MICRO ARRESTO MD/AT | MD/AT MICRO STOP | MICRO PARADA MD/AT |
| 015 | 21211501 | SCATOLA PORTAMICRO MD | MICRO-HOLDER BOX | CAJA MICRO |
| 016 | 37040414 | VITE M4X14 | SCREW M 4 X 14 | TORNILLO M 4 X 14 |
| 017 | 38120063 | RIPARO TESTATA MD50/ST | PROTECTION MD50/ST | PROTECCION MD50/ST |
| 018 | 37430600 | ROS.DENT.EST.D.6 | OUTER TOOTHED WASHER D.6 | ARANDELA DENTADA D.6 |
| 019 | 37320600 | DADO M 6 | NUT M 6 | TUERCA M 6 |
| 020 | 21203511 | BASAMENTO MD50 | MD50 BASE | BLOQUE MD50 |
| 021 | 22208501 | FERMO GHIERA MD50 | MD40-50 BUSH STOP | RETENCION VIROLA MD40-50 |
| 022 | 39120035 | MOLLA SPINETTA MD | MD PIN SPRING | RESORTE PASADOR MD |
| 023 | 37060650 | VITE M6X50 | SCREW M 6 X 50 | TORNILLO M 6 X 50 ALEN |
| 024 | 37410600 | RONDELLA PIANA D.6 | PLANE WASHER DIAM. 6 | ARANDELA PLANA D.6 |
| 025 | 26117015 | PRIGIONIERO DIST.MD50 | MD 50 STUD | PRISIONERO MD 50 |
| 026 | 36310008 | PIEDINO ADESIVO NERO | NANCY SUPPORT BLACK | PIE NEGRO |
| 027 | 34030064 | INTERR.LUM.BIP.NERO 400V AC | PUSH BUTTON 400V AC | INTERR.LUM.BIP.NERO 400V AC |
| 028 | 37410500 | RONDELLA PIANA D.5 FE.ZN. | PLANE WASHER DIAM.5 | ARANDELA PLANA D.5 |
| 029 | 37430400 | ROS.DENT.EST.D.4 | OUTER TOOTHED WASHER D4 | ARANDELA DENTADA D.4 |
| 031 | 37030410 | VITE M4X10 | SCREW M 4 X 10 | TORNILLO M 4 X 10 |
| 032 | 32330783 | PIASTRINA FORCHETTA MD | SUPPORT FOR FORK MD | ANGULAR POR HORQUILLA MD |
| 034 | 36310003 | PIEDINO GOMMA MD50 | MD40-50 FOOT | PIE MD40-50 |
| 036 | 26216005 | VITE X PORTAMAC.MD50 | MD50 GRINDER HOLDER SCREW | TORNIL.PORTAMOLIENDA MD50 |
| 037 | 37030407 | VITE M 4X7 | SCREW M4X7 | TORNILLO M 4 X 7 |
| 038 | 22104001 | PORTAMACINA MD 50 | MD 50 GRINDER HOLDER | PORTAMOLIENDA MD 50 |
| 040 | 34200212 | MORSET-FISSACAVO + VITE | CLAMP + SCREW | BORNE + TORNILLO |
| 041 | 36201006 | RONDELLA SCALDATAZ.GOMMA SL 50 | RUBBER HEAT-CUP WASHER | ARANDELLA |
| 042 | 37900505 | FISSATORE TONDO D.3 | ROUND FIXER D3 H106 | GANCHI |
| 043 | 34200213 | BLOCCETTO UNIPOLARE | CLAMP MD 400V | BORNE MD 400V |
| 044 | 69000033 | COPPIA MACINE D.63,5 MD50 | COUPLE GRINDERS MD50 | PAR MOLIENDA MD50 |
| 045 | 14000011 | MOTORE MD50 115V COMPLETO | MD50 COMPLETE MOTOR 115V | MOTOR MD50N 110V |
| | 14000022 | MOTORE MD50 230V COMPLETO | MD 50 230V MOTOR COMPLETE | MOTORE MD50 230V COMPLETO |
| | 34014038 | MOTORE MD50 400V | MOTOR 380V MD50 | MOTOR MD 50 380V |
| 046 | 37310400 | DADO M4 ALTO FE.ZN. | NUT M 4 | TUERCA M 4 |
| 047 | 37900305 | TIRANTE M 4 X 275 | TIE ROD M 4 X 275 | TIRANTE M 4 X 275 |
| 048 | 32330272 | CARROZZERIA MD50/N | BODY MD50/N | CARROCERIA MD50/N |



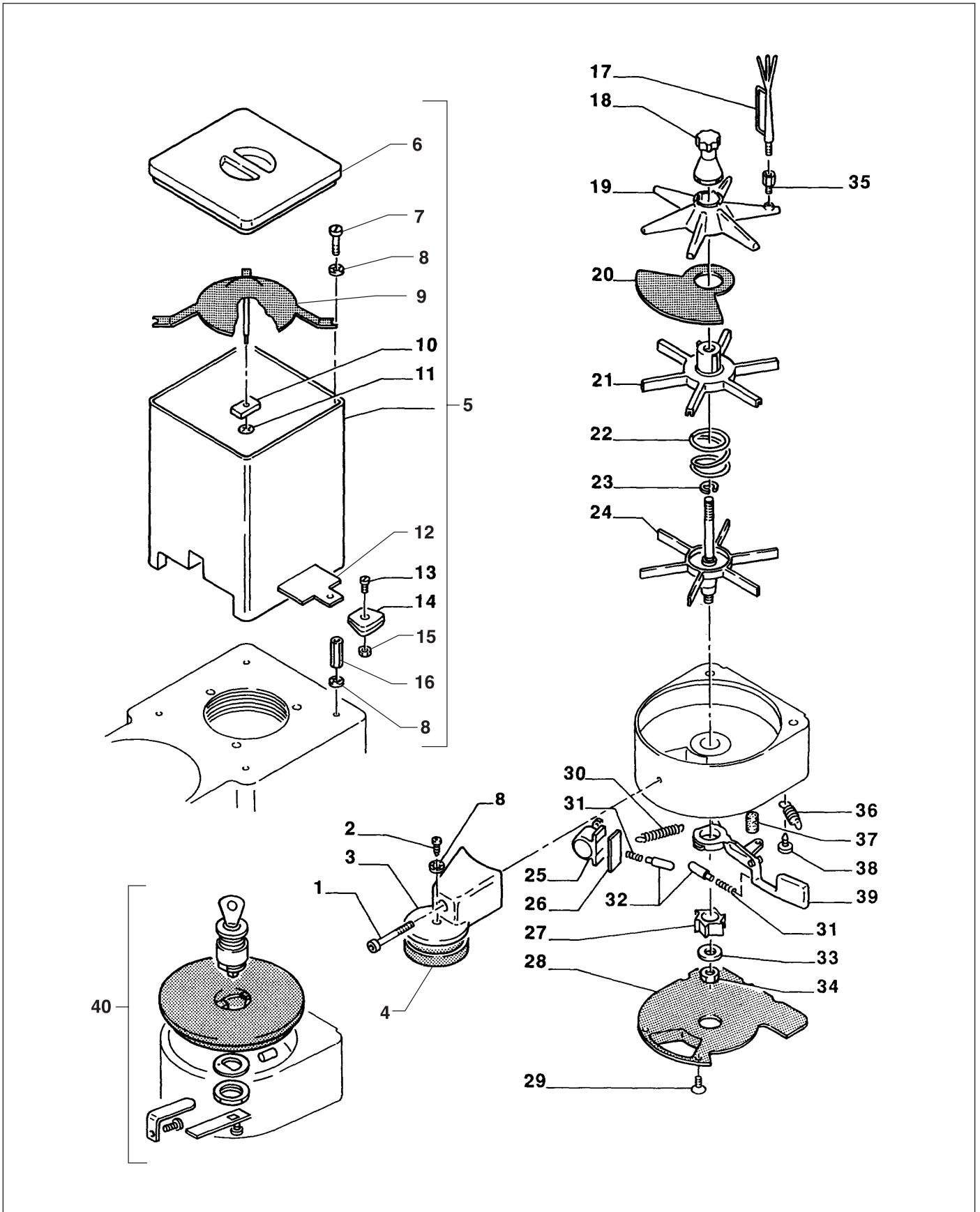
| Rif. | CODICE | DESCRIZIONE | DESCRIPTION | DESCRIPCION |
|------|-----------------|----------------------------|---------------------------|-----------------------------|
| 049 | 37153909 | VITE 3,9 X 9,5 | SELF-TAPP.SCREW 3.9 X 9.5 | TORNILLO 3,9 X 9,5 AUTOR. |
| 050 | 34300049 | CAVO CON SPINA | CABLE WITH PLUG | CABLE Y ENCHUFE 110V |
| | 34300052 | CAVO+SPINA | CABLE WITH PLUG AUSTRALIA | CABLE Y ENCHUFE AUSTRALIA |
| | 34300085 | CAVO+SPINA | CABLE WITH PLUG | CABLE Y ENCHUFE EUROPE |
| | 34300087 | CAVO | CABLE MD50-80 400V | CABLE MD50-80 400V |
| 051 | 32920030 | PROTEZ.BASAM.MD50/N | MD50/N PROTECTION | PROTECCION MD50/N |
| 052 | 32339011 | SOSTEGNO RELE' MD50/N | SUPPORT RELAY MD50/N | SOPORTE RELE MD50/N |
| 053 | 37900808 | PIASTRINA | PLATE U-8/24/11 | PLACA U-8/24/11 |
| | 37900809 | PIASTRINA | PLATE U/8/11/9 | PLACA U/8/11/9 |
| 054 | 34200191 | RELE' 110V MD50 | RELAY 110V MD50 | RELE 110V MD50 |
| | 34200192 | RELE' 230V MD50 | RELAY 230V | RELE 230V |
| 055 | 14701011 | TESTATA MD50+PORTAMACINE | MD 50 HEAD | CULATA MD BOCA DESAGOTE |
| 056 | 37510400 | ANEL.EL.D.4 | ELASTIC RING DIAM.4 | ANILLO ELASTICO D.4 |
| 057 | 37410611 | RONDELLA D.6X16X1 FE.ZN. | WASHER D.6X16X1 | ARANDELA D.6X16X1 |
| 058 | 38120065 | REGOLATORE MACINAT.MD50-80 | MD GRINDER REGULATOR | REGULADOR MOLEDURA MD |
| 059 | 26214010 | PERNO REG.MACINATURA | MD REGULATOR PIN | PERNO REGULADOR MD |
| 060 | 42200121 | TARGH.RANCILIO MM.70 | RANCILIO PLATE MM 70 | TARJETA RANCILIO MM 70 |
| 061 | 14013011 | CABLAGGIO MD50/ST 110/230V | CABLE MD50/ST 110/230V | CABLE MD50/ST 110/230V |
| | 14013013 | CABLAGGIO MD50/AT 110/230V | CABLE MD50/AT 110/230V | CABLE MD50/AT 110/230V |
| 062 | 32329024 | SQUADR.DISGIUN.MD | SUPPORT FOR CIRC.BREAKER | ANGULAR POR DISYUNTOR MD |
| 063 | 34020109 | DISGIUNTORE 230V MD50 | SEPARATOR MD50 4211 NEW | DISGIUNTORE MD50 4211 NUOVO |
| 064 | 37420401 | ROND.EL.D.4 GROWER INOX | ELASTIC WASHER DIAM.4 | ARANDELA ELASTICA D.4 |
| 065 | 37430600 | ROS.DENT.EST.D.6 | OUTER TOOTHED WASHER D.6 | ARANDELA DENTADA D.6 |
| 066 | 34030131 | COPERTURA INTERRUTTORI MD | MD SWITCH COVER | PROTECTORA INTERRUPTOR MD |
| 067 | 34030052 | PULSANTE BIPLUMIN.ARANCIO | PUSH BUTTON MD/AT | BOTON MD/AT |
| | 34030075 | COPRIFORO CAVA 30X22 | COVER HOLE 30X22 | TAPON |
| 068 | 34210100 | MORSETTO VOLANTE SEZ.4 | CLAMP | BORNE |
| 069 | 37040621 | VITE INOX M6X20 | SCREW M 6 X 20 INOX | TORNILLO M 6 X 20 INOX |
| 070 | 37420601 | ROND.EL.D.6 GROWER INOX | ELASTIC WASHER D.6 | ANILLO ELASTICO D.6 GROW. |
| 071 | 37320601 | DADO M6 | INOX NUT M 6 | TUERCA M 6 INOX |
| 072 | 45010047 | ADESIVO TERRA EQUIPOTENZ. | SELF-ADHESIVE | ADHESIVO |
| 073 | 34200156 | BOCCOLA PASSACAVO | CABLE PASS MD | PASA CABLE MD |
| 074 | 34020023 | CONDENS.MF150 MD50 110V | MD50 CONDESER 110V MF150 | CONDENS.MF150 MD50 110V |
| 075 | 37430800 | ROS.DENT.EST.D.8 ACC.BR. | WASHER D.8 | ARANDELA DENTADA D.8 |
| 076 | 37320800 | DADO M8 | NUT M 8 | TUERCA M 8 |
| 077 | 32339014 | SOSTEGNO CONDENS.MD50 | CONDENS.SUPPORT MD50 110V | SOSTEN CONDENS.MD50 110V |
| 078 | 32339013 | SOSTEGNO RELE'MD50 | SUPPORT RELAY MD50 110V | SOPORTE RELE MD50 110V |
| | | | | |
| | | | | |
| | | | | |
| | | | | |
| | | | | |
| | | | | |
| | | | | |
| | | | | |
| | | | | |
| | | | | |
| | | | | |
| | | | | |
| | | | | |
| | | | | |
| | | | | |
| | | | | |
| | | | | |



| Rif. | CODICE | DESCRIZIONE | DESCRIPTION | DESCRIPCION |
|------|------------------|--------------------------------|---------------------------|-----------------------------|
| 001 | 23308005 | PERNO PALETTA MD-AT | MD-AT SHOVEL PIN | PERNO PALETA MD-AT |
| 002 | 22208001 | PALETTA ARRESTO MD/AT | MD/AT SHOVEL STOP | PALETA DE PARADA MD/AT |
| 003 | 38125009A | SERBATOIO MD80 AZZURRO | TANK MD80 BLUE | TANQUE MD 80 AZUL |
| 004 | 21204001 | CORPO DOSATORE MD50-80 | MD50-80 DOSING MIXER BODY | CUERPO DOSADOR MD50-80 |
| 005 | 34100004 | MICRO AVVIAMENTO MD/AT | MD/AT MICRO START | MICRO PUEST.EN MARC.MD/AT |
| 006 | 37173015 | VITE TAPTITE M3X15TC | SCREW M 3 X 15 TC | TORNILLO M 3 X 15 TC |
| 007 | 21210501 | FORCHETTA PORTAFIL.MD | MD50-80 FORK | HORQUILLA MD50-80 |
| 008 | 37040610 | VITE M6X10 | SCREW M 6 X 10 | TORNILLO M 6 X 10 |
| 009 | 21203411 | BASAMENTO MD80 | MD 80 BASE | BLOQUE MD 80 |
| 010 | 38120026 | RACCOGLIT.CAFFE' MD 80 | MD 80 PICKER | REGOGEDOR MD 80 |
| 011 | 38120024 | COPERCHIO DOSATORE MD | COVER FOR MD GRINDER | TAPA DOSADOR MD |
| 012 | 37174012 | VITE TAPTITE 4X12 | SCREW 4 X 12 | TORNILLO 4 X 12 |
| 013 | 21212502 | COPERCHIO SCAT.MICRO | MICRO BOX COVER | TAPA CAJA MICRO |
| 014 | 34100003 | MICRO ARRESTO MD/AT | MD/AT MICRO STOP | MICRO PARADA MD/AT |
| 015 | 21211501 | SCATOLA PORTAMICRO MD | MICRO-HOLDER BOX | CAJA MICRO |
| 016 | 37040414 | VITE M4X14 | SCREW M 4 X 14 | TORNILLO M 4 X 14 |
| 017 | 37430600 | ROS.DENT.EST.D.6 | OUTER TOOTHED WASHER D.6 | ARANDELA DENTADA D.6 |
| 018 | 37320600 | DADO M 6 | NUT M 6 | TUERCA M 6 |
| 019 | 34030064 | INTERR.LUM.BIP.NERO 400V AC | PUSH BUTTON 400V AC | INTERR.LUM.BIP.NERO 400V AC |
| 020 | 38111003 | FERMO GHIERA MD 80 | MD 80 BUSH STOP | RETENCION VIROLA MD 80 |
| 022 | 37060870 | VITE M8X70 | SCREW M 8 X 70 | TORNILLO M 8 X 70 ALEN |
| 023 | 37410600 | RONDELLA PIANA D.6 | PLANE WASHER DIAM. 6 | ARANDELA PLANA D.6 |
| 024 | 26117016 | PRIGIONIERO DIST.MD80 | MD 80 STUD | PRISIONERO MD 80 |
| 025 | 36310008 | PIEDINO ADESIVO NERO | NANCY SUPPORT BLACK | PIE NEGRO |
| 026 | 37320500 | DADO M 5 | NUT M 5 | TUERCA M 5 |
| 027 | 37430500 | ROS.DENT.EST.D.5 ACC.BR. | THUMB WASHER DIAM.5 | ARANDELA DENTADA D.5 |
| 029 | 37030510 | VITE M5X10 | SCREW M5X10 | TORNILLO M 5 X 10 |
| 030 | 32330783 | PIASTRINA FORCHETTA MD | SUPPORT FOR FORK MD | ANGULAR POR HORQUILLA MD |
| 032 | 36310003 | PIEDINO GOMMA MD50 | MD40-50 FOOT | PIE MD40-50 |
| 033 | 37410611 | RONDELLA D.6X16X1 FE.ZN. | WASHER D.6X16X1 | ARANDELA D.6X16X1 |
| 034 | 26220020 | VITE X PORTAMAC.MD 80 | MD80 GRINDER HOLDER SCREW | TORNILLO PORTAMOLIENDA 80 |
| 035 | 20114801 | PORTAMACINA MD 80 | MD 80 GRINDER HOLDER | PORTAMOLIENDA MD 80 |
| 037 | 34200212 | MORSET-FISSACAVO + VITE | CLAMP + SCREW | BORNE + TORNILLO |
| 038 | 36201006 | RONDELLA SCALDATAZ.GOMMA SL 50 | RUBBER HEAT-CUP WASHER | ARANDELLA |
| 039 | 37900505 | FISSATORE TONDO D.3 | ROUND FIXER D3 H106 | GANCHO |
| 040 | 34200213 | BLOCCHETTO UNIPOLARE | CLAMP MD 400V | BORNE MD 400V |
| 041 | 69000034 | COPPIA MACINE D.75 MD80 | COUPLE GRINDERS MD80 | PAR MOLIENDA MD80 |
| 042 | 34014003 | MOTORE MD80 400V | MOTOR 400V MD80 | MOTOR MD 80 380V |
| 042 | 34040012 | ELETTR.3VIE 220V 50HZ MISS | 220V 3WAY ELEC.VALVE | ELECTROV.3VIAS 220V MISS |
| 043 | 37900313 | TIRANTE M 6 X 320 MD80 | TIE ROD M 6 X 320 | TIRANTE M 6 X 320 |
| 044 | 32330273 | CARROZZERIA MD80/N | BODY MD80/N | CARROCCERIA MD80/N |
| 045 | 37153909 | VITE 3,9 X 9,5 | SELF-TAPP.SCREW 3.9 X 9.5 | TORNILLO 3,9 X 9,5 AUTOR. |
| 046 | 34300052 | CAVO+SPINA | CABLE WITH PLUG AUSTRALIA | CABLE Y ENCHUFE AUSTRALIA |
| | 34300072 | CAVO+SPINA | CABLE+PLUG | CABLE Y ENCHUFE |
| | 34300087 | CAVO | CABLE MD50-80 400V | CABLE MD50-80 400V |
| | 34549022 | CAVO+SPINA UL | CABLE WITH PLUG S26/7 UL | CABLE Y ENCHUFE S26/7 UL |



| Rif. | CODICE | DESCRIZIONE | DESCRIPTION | DESCRIPCION |
|------|-----------------|--------------------------------|---------------------------|---------------------------|
| 047 | 32559024 | PROTEZ.BASAMENTO MD80 | MD 80 PROTECTION | PROTECCION MD 80 |
| 048 | 14701012 | TESTATA MD80+PORTAMACINE | MD 80 HEAD | CULATA MD 80 |
| 049 | 37510400 | ANEL.EL.D.4 | ELASTIC RING DIAM.4 | ANILLO ELASTICO D.4 |
| 050 | 38120065 | REGOLATORE MACINAT.MD50-80 | MD GRINDER REGULATOR | REGULADOR MOLEDURA MD |
| 051 | 26214010 | PERNO REG.MACINATURA | MD REGULATOR PIN | PERNO REGULADOR MD |
| 053 | 37030408 | VITE M4X8 INOX | SCREW M 4 X 8 | TORNILLO M 4 X 8 |
| | 37113509 | VITE 3,5 X 9,5 | SCREW 3,5 X 9,5 | TORNILLO 3,5 X 9,5 |
| 054 | 37430400 | ROS.DENT.EST.D.4 | OUTER TOOTHED WASHER D4 | ARANDELA DENTADA D.4 |
| 055 | 32339012 | SOSTEGNO RELE' MD80/N | SUPPORT RELAY MD80/N | SOPORTE RELE MD80/N |
| 056 | 34200181 | RELE'230V MD80 | RELAY 230V MD80 | RELE'230V MD80 |
| | 34200182 | ADATTATORE RELE' MD80 | RELAY ADAPTE | ADATTATORE RELE' MD80 |
| | 34200193 | RELE' 110V MD80 | RELAY 110V MD80 | RELE 110V MD80 |
| 057 | 34020009 | CONDENS.250 MF 150V.MD80V.110 | MD80 110V CONDENSER | CONDENSADOR MD80 110V |
| | 34020012 | CONDENS.80/100MF.240 MD 80 220 | MD80 220V CONDENSER | CONDENSATOR MD80 220V |
| 058 | 34200069 | FASCETTA | "LEGRAND"CLAMP 320.43 | ABRAZADERA 320.43 LEGRAND |
| 059 | 14013015 | CABLAGGIO MD80 110/230V | CABLE MD80 110/230V | CABLE MD80 110/230V |
| | 14013016 | CABLAGGIO MD50AT-80 400V | CABLE MD80 400V | CABLE MD80 400V |
| 060 | 34020103 | DISGIUNTORE MD80 115V | CIRC.BREAKER MD80 110V | DISYUNTOR MD80 110V |
| | 34020105 | DISGIUNTORE MD80/220V | CIRC.BREAKER MD80 220V | DISYUNTOR MD80 220V |
| 061 | 34020106 | ATTACCO DISGIUNTORE MD | MD80 CIRC.BREAKER CONNECT | SOPORTE DISYUNT.MD80 |
| 062 | 37420401 | ROND.EL.D.4 GROWER INOX | ELASTIC WASHER DIAM.4 | ARANDELA ELASTICA D.4 |
| 063 | 34030131 | COPERTURA INTERRUTTORI MD | MD SWITCH COVER | PROTECTORA INTERRUPTOR MD |
| 064 | 34030052 | PULSANTE BIPLUMIN.ARANCIO | PUSH BUTTON MD/AT | BOTON MD/AT |
| 065 | 37430800 | ROS.DENT.EST.D.8 ACC.BR. | WASHER D.8 | ARANDELA DENTADA D.8 |
| 066 | 34210100 | MORSETTO VOLANTE SEZ.4 | CLAMP | BORNE |
| 067 | 37040621 | VITE INOX M6X20 | SCREW M 6 X 20 INOX | TORNILLO M 6 X 20 INOX |
| 068 | 37420601 | ROND.EL.D.6 GROWER INOX | ELASTIC WASHER D.6 | ANILLO ELASTICO D.6 GROW. |
| 069 | 37320601 | DADO M6 | INOX NUT M 6 | TUERCA M 6 INOX |
| 070 | 45010047 | ADESIVO TERRA EQUIPOTENZ. | SELF-ADHESIVE | ADHESIVO |
| 071 | 37175012 | VITE TAPTITE M5X12TC CROS FECD | SCREW 5 X 12 | TORNILLO 5 X 12 |
| 072 | 34200156 | BOCCOLA PASSACAVO | CABLE PASS MD | PASA CABLE MD |
| | | | | |
| | | | | |
| | | | | |
| | | | | |
| | | | | |
| | | | | |
| | | | | |
| | | | | |
| | | | | |
| | | | | |
| | | | | |
| | | | | |
| | | | | |
| | | | | |
| | | | | |
| | | | | |
| | | | | |
| | | | | |
| | | | | |
| | | | | |
| | | | | |
| | | | | |
| | | | | |
| | | | | |
| | | | | |
| | | | | |
| | | | | |
| | | | | |
| | | | | |



| Rif. | CODICE | DESCRIZIONE | DESCRIPTION | DESCRIPCION |
|------|-----------------|-----------------------------|---------------------------|----------------------------------|
| 001 | 37060645 | VITE M6X45 | SCREW M 6 X 45 | TORNILLO M 6 X 45 ALEN |
| 002 | 37113913 | VITE 3,9 X 13 | SCREW 3,9 X 13 | TORNILLO 3,9 X 13 |
| 003 | 14701027 | PRESSINO X MD COMPLETO | WHOLE MD PRESS | PRENSADOR MD COMPLETO |
| | 21208301 | PARTE SUP.PRESS.MD | SUPERIOR PART FOR PRESS | PARTE SUPERIOR PRENSADOR |
| 004 | 38120031 | PARTE INFER.PRESSINO | INFERIOR PART FOR PRESSE | PARTE INFERIOR PRENSADOR |
| | 38120032 | PARTE INF.PRESS.RIDOT | INFERIOR PART FOR PRESSE | PARTE INFERIOR PRENSAND |
| 005 | 14030001 | TRAMOGGIA MD50 COMPLETA | WHOLE MD 50 HOPPER | TOLVA MD 50 COMPLETA |
| | 14030005 | TRAMOGGIA MD40 COMPLETA | COMPLETE MD 40 HOPPER | TOLVA MD 40 COMPLETA |
| | 14030011 | TRAMOGGIA MD80 COMPLETA | WHOLE MD 80 HOPPER | TOLVA MD 80 COMPLETA |
| 006 | 38120012 | COPERCHIO TRAMOG.MD50 | MD 50 HOPPER COVER | TAPA TOLVA MD 50 |
| | 38120025 | COPERCHIO TRAMOG.MD80 | MD 80 HOPPER COVER | TAPA TOLVA MD 80 |
| | 38120040 | COPERCHIO TRAMOG.MD40 | MD 40 HOPPER COVER | TAPA TOLVA MD 40 |
| 007 | 37030420 | VITE M4X20 | SCREW M 4 X 20 | TORNILLO M 4 X 20 |
| | 37030425 | VITE M4X25 | SCREW M 4 X 25 | TORNILLO M 4 X 25 |
| 008 | 37430400 | ROS.DENT.EST.D.4 | OUTER TOOTHED WASHER D4 | ARANDELA DENTADA D.4 |
| 009 | 38120061 | RIPARO MACINE MD40 | MD40 GRINDERS COVER | CUBRE MOLIENDA MD40 |
| | 38120062 | RIPARO MACINE MD50-80 | MD50-80 GRINDERS COVER | CUBRE MOLIENDA MD50-80 |
| 011 | 37900505 | FISSATORE TONDO D.3 | ROUND FIXER D3 H106 | GANCHO |
| 012 | 32329015 | CHIUSURA TRAMOGGIA MD50-80 | MD50-80 HOPPER LOCK | CARRADURA TOLVA MD50-80 |
| | 32329038 | CHIUSURA TRAM.MD 40 | MD 40 HOPPER LOCK | CARRADURA TOLVA MD 40 |
| 013 | 37030307 | VITE M3X7 | SCREW M 3 X 7 | TORNILLO M 3 X 7 |
| 014 | 38120010 | MANOPOLA FILTRO GRZ | GRZ FILTER HANDLE | MANECILLA FILTRO GRZ |
| 015 | 37320300 | DADO M3 | NUT M 3 | TUERCA M 3 |
| 016 | 26206002 | PERNO GUIDA TRAM.MD40 | HOPPER PIN MD40 | PERNO TOLVA MD40 |
| | 26206003 | PERNO GUIDA TRAM.MD50-80 | HOPPER PIN MD50-80 | PERNO TOLVA MD50-80 |
| 017 | 38123002 | RASCHIAVETRO MD | MD50-80 GLASS SCRAPER | RASCAVIDRIO MD50-80 |
| 018 | 21208701 | POMOLO REG.DOSE CAFFE' | MD50-80 DOSE HANDLE | MANOPLA DOSIS MD50-80 |
| | 21208702 | POMOLO DOSE MD 40 | DOSE HANDLE MD40 | MANOPLA DOSIS MD 40 |
| 019 | 21208501 | STELLA SUPERIORE MD | UPPER STAR MD | ESTRELLA SUPERIOR MD |
| 020 | 32329014 | DIVISORE CAFFE' MD | MD COFFEE DIVIDER | DIVISOR CAFE MD |
| 021 | 21206501 | STELLA INTERMEDIA MD | MD MEDIUM STAR | ESTRELLA INTERMEDIA MD |
| 022 | 39120025 | MOLLA DOSATORE MD | DOSING SPRING MD | RESORTE DOSATOR MD |
| 023 | 37510600 | ANEL.EL.D.6 | ELASTIC RING DIAM.6 | ANILLO ELASTICO ECONOMIZADOR D.6 |
| 024 | 14701020 | STELLA INF.MD CON PERNO | LOWER STAR MD | ESTRELLA INFERIOR MD |
| 025 | 69000085 | CONTACOLPI M 20 + LEV. | STROKE COUNTER M 20 | CUENTAGOLPES M 20 |
| 026 | 36910021 | GOMMA X CONTACOLPI MD | MD STROKE RECORDER RUBBER | GOMA CUENTAGOLPES MD |
| 027 | 21103000 | CAMME DOSATORE | MD DOSING MIXER CAMS | LEVA DOSADOR MD |
| 028 | 22206501 | COPERTURA DOSATORE MD | MD GRINDER COVER | PROTECCION DOSADOR MD |
| 029 | 37184012 | VITE TAPTITE M4X10TS | SCREW M 4 X 12 | TORNILLO M 4 X 12 |
| 030 | 39220015 | MOLLA CONTACOLPI MD | MD SPRING | RESORTE CUENTAGOLPES MD |
| 032 | 26105005 | SPINETTA DOSATORE MD | PIN FOR MD GRINDER | PASADOR DOSADOR MD |
| 033 | 39520008 | MOLLA TAZZA D.18 X 8 SP1 | SPRING DIAM. 18 X 8 | RESORTE D.18 X 8 |
| 034 | 37320805 | DADO M 8 SINISTRO | LEFT NUT M 8 | TUERCA M 8 IZQUIERDA |
| 035 | 26208006 | PROLUNGA RASCH.MD 80 | EXTENSION GLASS SCRAPER | PROLONGACION RASCAVIDRIO |
| 036 | 39220010 | MOLLA RICHIAMO LEVA MD | MD LEVER SPRING | RESORTE PALANCA MD |
| 037 | 36901101 | GOMMINO FERMO LEVA MD | MD STOP RUBBER | ANILLO TOPE MD |
| 038 | 37174012 | VITE TAPTITE 4X12 | SCREW 4 X 12 | TORNILLO 4 X 12 |
| 039 | 22105001 | LEVA DOSATORE MD | MD LEVER FOR GRINDER | PALANCA DOSADOR MD |
| 040 | 14701021 | COP+SERRAT.MD50-80 COMPLETA | WHOLE MD50-80 LOCK | CERRADURA MD50-80 COMPL. |

| | | MOTORI MOD.ELCO | | | | | |
|----------|----------|-----------------|--------------|-----|--------------|-------------|------------|
| VERSIONE | | MOTORE | CONDENSATORE | | DISGIUNTORE | | CONTATTORE |
| modello | tensione | codice | codice | µF | codice | tipo | |
| MD80 | 400V | 34.014.003 | non previsto | | non previsto | | 34200217 |
| | 230V | 34.014.002 | 34.020.012 | 80 | 34.020.105 | MTRP 4920 | |
| | 110V | 34.014.001 | 34.020.009 | 240 | 34.020.103 | MTRP 4820 | |
| MD50 | 400V | 34.014.038 | non previsto | | non previsto | | 34200217 |
| | 230V | 34.014.022 | non previsto | | 34.020.109 | MTRP 4211 | |
| | 110V | 34.014.011 | 34.020.023 | 140 | 34.020.102 | MTRP 4011 | |
| MD40 | 230V | 34.014.052 | 34.020.022 | 16 | 34.020.112 | MTRP 001711 | |
| | 110V | 34.014.051 | 34.020.021 | 60 | 34.020.111 | MTRP 3111 | |
| ROKY | 230V | 34.014.056 | 34.020.022 | 16 | 34.020.112 | MTRP 001711 | |
| | 110V | 34.014.055 | 34.020.021 | 60 | 34.020.111 | MTRP 3111 | |

| | | MOTORI MOD.ARDUINI | | | | | |
|----------|----------|--------------------|--------------|-----|--------------|-------------|------------|
| VERSIONE | | MOTORE | CONDENSATORE | | DISGIUNTORE | | CONTATTORE |
| modello | tensione | codice | codice | µF | codice | tipo | |
| MD80 | 400V | invariato | non previsto | | non previsto | | 34200217 |
| | 230V | 34.014.007 | 34.020.027 | 40 | 34.020.113 | MTRP 004811 | |
| | 110V | 34.014.006 | 34.020.026 | 125 | 34.020.115 | MTRP 6111 | |
| MD50 | 400V | invariato | non previsto | | non previsto | | 34200217 |
| | 230V | 34.014.005 | 34.020.025 | 25 | 34.020.114 | MTRP 002611 | |
| | 110V | 34.014.004 | 34.020.024 | 80 | 34.020.113 | MTRP 004811 | |
| MD40 | 230V | invariato | invariato | | invariato | | |
| | 110V | invariato | invariato | | 34.020.117 | MTRP 001311 | |
| ROKY | 230V | invariato | invariato | | invariato | | |
| | 110V | invariato | invariato | | 34.020.117 | MTRP 001311 | |

| AVVIO IN PRODUZIONE DEI MACINADOSATORI CON MOTORI MOD.ARDUINI | | | | |
|---|----------|--------------|--------------------|--|
| modello | tensione | mese avvio | matricola iniziale | note aggiuntive |
| MD80 | 400V | febbraio-02 | 25.01.56.88 | inclusa matricola: 25.01.47.69 |
| | 230V | aprile-02 | 25.01.59.55 | |
| | 110V | settembre-03 | 25.02.55.43 | includere matricole: 25.02.04.61 - 25.02.04.62 |
| MD50 | 400V | giugno-02 | 25.01.71.85 | |
| | 230V | giugno-01 | 25.01.23.84 | includere matricole: 25.01.22.34 - 25.01.23.22 |
| | 110V | novembre-01 | 25.01.41.05 | |
| MD40 | 230V | giugno-01 | 25.01.19.72 | includere matricole: 25.00.88.38 ÷ 25.00.88.54 - 25.00.98.38 - 25.00.98.39 |
| | 110V | giugno-01 | 25.01.28.37 | |
| ROKY | 230V | settembre-01 | 65.00.56.67 | |
| | 110V | marzo-01 | 65.00.41.84 | escludere matricole: 65.00.45.11 ÷ 65.00.45.14 - 65.00.46.44 ÷ 65.00.46.53 |



ITALY

Rancilio Macchine per caffè S.p.A.
Viale della Repubblica 40
20010 Villastanza di Parabiago
Milano Italy
Tel +39 0331 408200
Fax +39 0331 551437
www.rancilio.it
info@rancilio.it

SPAIN

Rancilio Espana, s.a.
Gran Vía de Carlos III, 84 3ª
Edificio Trade
08028 Barcelona Spain
Tel. +34 902 884 275
Tel. +34 934 923 414
Fax +34 93 496 57 01
www.rancilio.com
info@rancilio.es

PORTUGAL

RANCILIO PORTUGAL LDA
Estrada da Falagueira nº 68 E
2700-365 Amadora Portugal
Tel. +35 121 019 1091
Fax +35 121 019 1091
www.rancilio.com
info@rancilio.pt

USA

Rancilio North America Inc.
8102 S.Lemont Rd. #1200
Woodridge, IL 60517 USA
Tel +1 630 427 1703
Fax +1 630 427 1713
www.rancilio.com
info@rancilio-na.com

ASIA

Asian Market Access HK Ltd
601 Tak Woo House
17-19 D'aguilar Street Central
Hong Kong
Tel +852 2521 7839
Fax +852 2521 5787
www.rancilio.com

