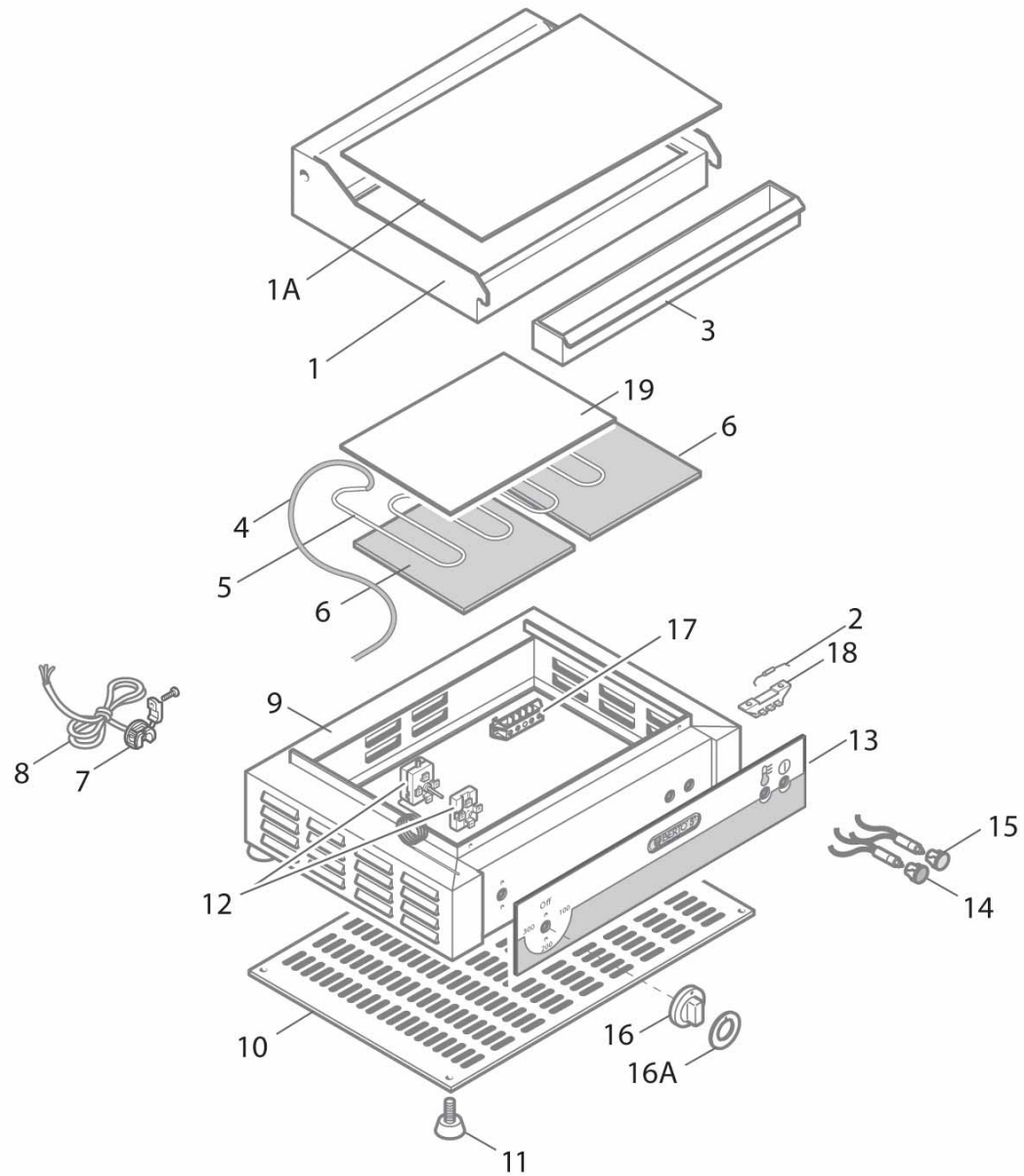




PMT/VTR





PMT/VTR

Pos. Item	Codice Code	Descrizione	Item Description	Designation articles	Artikelbeschreibung	Decripción artículos	N° pezzi - No. pieces								
											PMT/VTR				
1	30911300	Ass. piastra inferiore pmt/vtr	Lower plate pm.	Pl. infÉrieure pmt/vtr	Un. platte pmt/vtr	Placa inf. pmt/vtr									1
1A	30912000	Vetro inf. pm/vtr 235x376	Lower glass pm. 235x376	Verre infÉ. pm/vtr 235x376	Un. glas pm/vtr 235x376	Cr. inferior pm/vtr 235x376									1
2	00000000	Ricambio mancante	Test	-----	-----	-----									-
2	30978100	Termofusibile 152°C - 15a	Thermofuse 152°C - 15a	Thermofusible 152°C - 15a	Thermoschmelzdraht 152°C - 15a	Termofusibile 152°C - 15a									1
3	30792000	Ass.cassetto racco. pm	Drip tray pm	Bac recueille-sauces pm	Sammelgefäß pm	Ass.cassetto raccogliapm									1
4	30193400	Tu. vetrotex d.5 l.250 mm	Glass tube	Tube verre	Isolierend kleines rohr fuer	Tubo vidrio									4
5	30024300	Res.inf.compl.1500w-230v pm	1500w-230v-230v-230v	RÉsistance 1500 w - 230 v	Widerstand 1500 w - 230 v	Resistencia 1500 w - 230 v									1
6	30921800	Qua. isomart ps/pd-pm/vtr 210x170x4	Isomart panel 210x170x4	Tableau isomart 210x170x4	Isoli. trenner 210x170x4	Panel isomart 210x170x4									2
7	30185400	Passacavo pa 277 i.m.q.	Cable guide	Passe-cÂble	Kabelführung	Aislador pasapanel									1
8	30192400	Cavo 3x1.5 ps/pm	Power su. cable 3 x 1,5mm	Cable d'alim. 3 x 1,5mm	Versorg. 3 x 1,5mm	Cable de alime. 3x1,5 mm.									1
9	30863500	Ass.involucro base pm/ld-vtr-st-sx	Base enc. pm/ld-vtr-st-sx	Couv. base pm/ld-vtr-st-sx	HÜlle basis pm/ld-vtr-st-sx	Env. base pm/ld-vtr-st-sx									1
10	30838200	Fondo per pm/ld-st-vtr	Bo. pm/ld-st-vtr	Fond pm/ld-st-vtr	Bodenplatte pm/ld-st-vtr	Fondo per pm/ld-st-vtr					fondo pm/ld-st-vtr				1
11	30684100	Piedi. d.30xm8condado basso h.6mm	Foot h.6mm	Pied h.6mm	Fuss h.6mm	Pata h.6mm									4
12	30064600	Termostato 270°C. + commutatore	270°C thermostat + cycle selector	Ther. 270°C + commutateur de cycle	Ther. 270°C + umschalter zyklus	Termostato 270°C + conmutador									1
13	30899400	Pan. piastra media berto's	Berto's adhesive panel	Panneau adhÉsif berto's	Haftendes paneel berto's	Panel adhesivo berto's									1
14	30168800	Spia verde 230v d.10mmt150Ø	Green lamp 230v	Temoïn lumineux vert 230v	Grüne kontrollampe 230v	Piloto verde 230v									1
15	30168500	Spia arancio 230v d.10mmt150Ø	Orange lamp 230v	Temoïn lumineux orange 230v	Orange kontrollampe 230v	Piloto naranja 230v									1
16A	31953500	Serig.rossa manop.frytop/forno	Knob serigraphy	Serigraphie manette	Drehknopfserigraphie	Serigrafia mando									1
16	35877200	Man. rossa p. 6x4.6 a o° ral3000	Red knob p. 6x4.6 a o° ral3000	Ma. rouge p. 6x4.6 a o° ral3000	Drehknopf p. 6x4.6 a o° ral3000	Mando rojo p. 6x4.6 a o° ral3000									1
16	35876200	Manopola rossa p. 6x4.6 a o°	Red knob 6x4.6 o° c	Manette rouge 6x4.6 o° c	Drehknopf 6x4.6 o° c	Mando rojo 6x4.6 o° c									1
17	30183800	Morsettiera a 3 poli fv 110 b	Terminal board 3 poles	Bornier 3 poles	Klemmenleiste	Bornera 3 polos									1
18	30184800	Morsettiera laterale fv 77/3	Lateral terminal board fv 77/3	Bornier latÉral fv 77/3	Sei. klemmenleiste fv 77/3	Bornera lateral fv 77/3									1
19	30868100	Last.copri resist/vetro pm/vtr	Lower he. elem. cover sheet	Pl. cache-rÉsistance infÉrieure	Un. widerstandsdeckelplatte	Placa cubre-resistencia inferior									1