

PNC	Model	Ref	Pag.	Brand	Version	Notes
391063	E9GRGDGCF0	a	2...4	ELX	GAS	GAS GRILL 400 MM
391064	E9GRGHGCF0	b	2...4	ELX	GAS	GAS GRILL 800 MM
391197	E9GRTDG00	c	2...4	ELX	GAS	GAS GRILL 400 MM TOWN GAS
391198	E9GRTHGC00	d	2...4	ELX	GAS	GAS GRILL 800 MM TOWN GAS
391075	E9GREDGCF0	e	2...4	ELX	EL	ELECTRIC GRILL 400 MM
391076	E9GREHGCF0	f	2...4	ELX	EL	ELECTRIC GRILL 800 MM
392063	Z9GRGDGCF0	g	2...4	ZAN	GAS	GAS GRILL 400 MM
392064	Z9GRGHGCF0	h	2...4	ZAN	GAS	GAS GRILL 800 MM
392197	Z9GRTDGC00	i	2...4	ZAN	GAS	GAS GRILL 400 MM TOWN GAS
392198	Z9GRTHGC00	l	2...4	ZAN	GAS	GAS GRILL 800 MM TOWN GAS
392075	Z9GREDGCF0	m	2...4	ZAN	EL	ELECTRIC GRILL 400 MM
392076	Z9GREHGCF0	n	2...4	ZAN	EL	ELECTRIC GRILL 800 MM
393063	A9GRGDGCF0	o	2...4	OEM	GAS	GAS GRILL 400 MM
393064	A9GRGHGCF0	p	2...4	OEM	GAS	GAS GRILL 800 MM
393075	A9GREDGCF0	q	2...4	OEM	EL	ELECTRIC GRILL 400 MM
393076	A9GREHGCF0	r	2...4	OEM	EL	ELECTRIC GRILL 800 MM

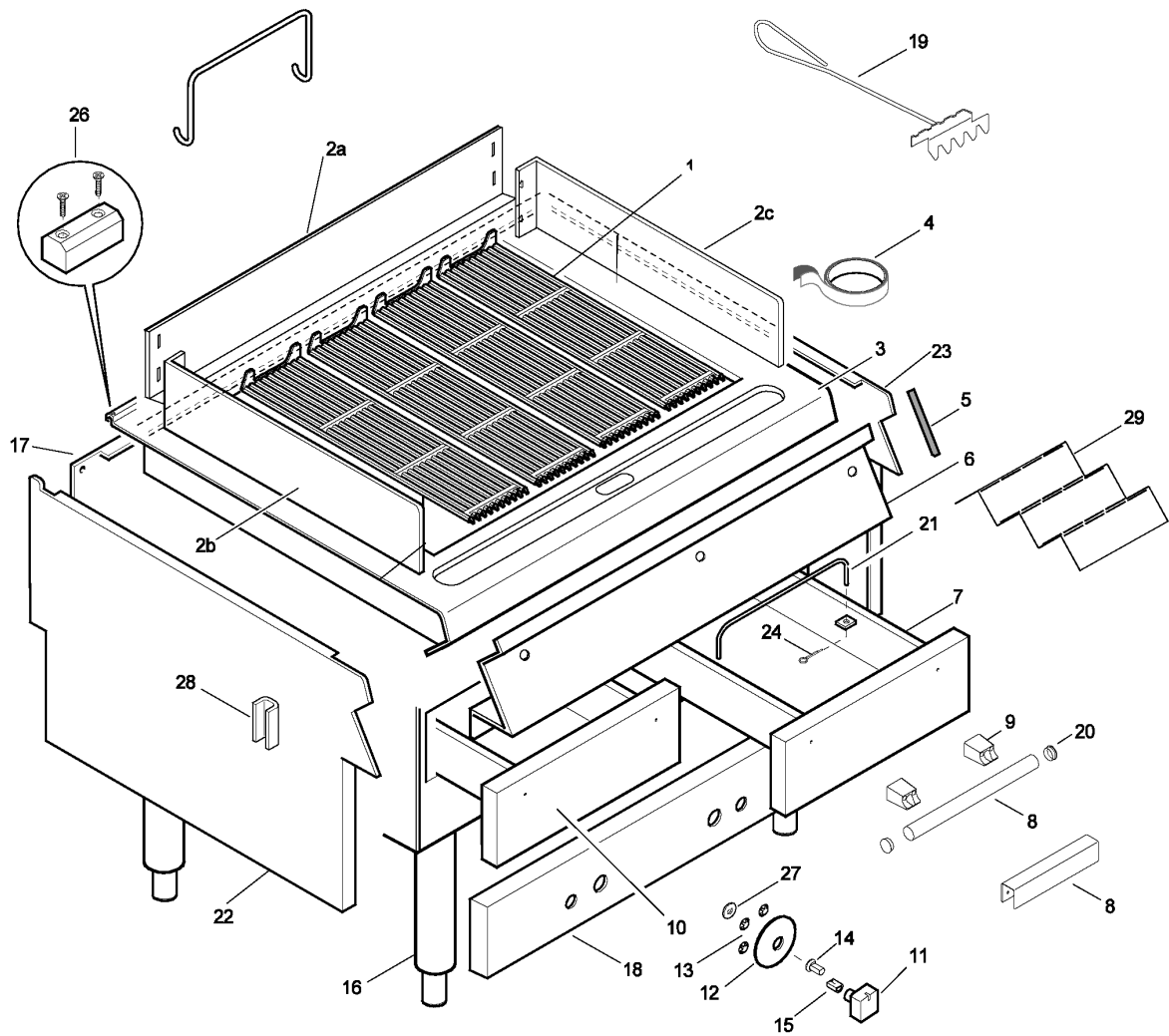
Pag	Index	Indice	Note
2	General componets	Componenti struttura	
3	Gas components	Componenti Gas	
4	Electric Components	Componenti elettrici	
5,6,	Spare parts list	Lista ricambi	

Brand/Marchio: All
 Factory code: 9PDX

From sr. Nr/ Da Ser. Nr.: 116

Page: 1 Ed. 2013 04

Doc. Nr.: **059785FZ00**



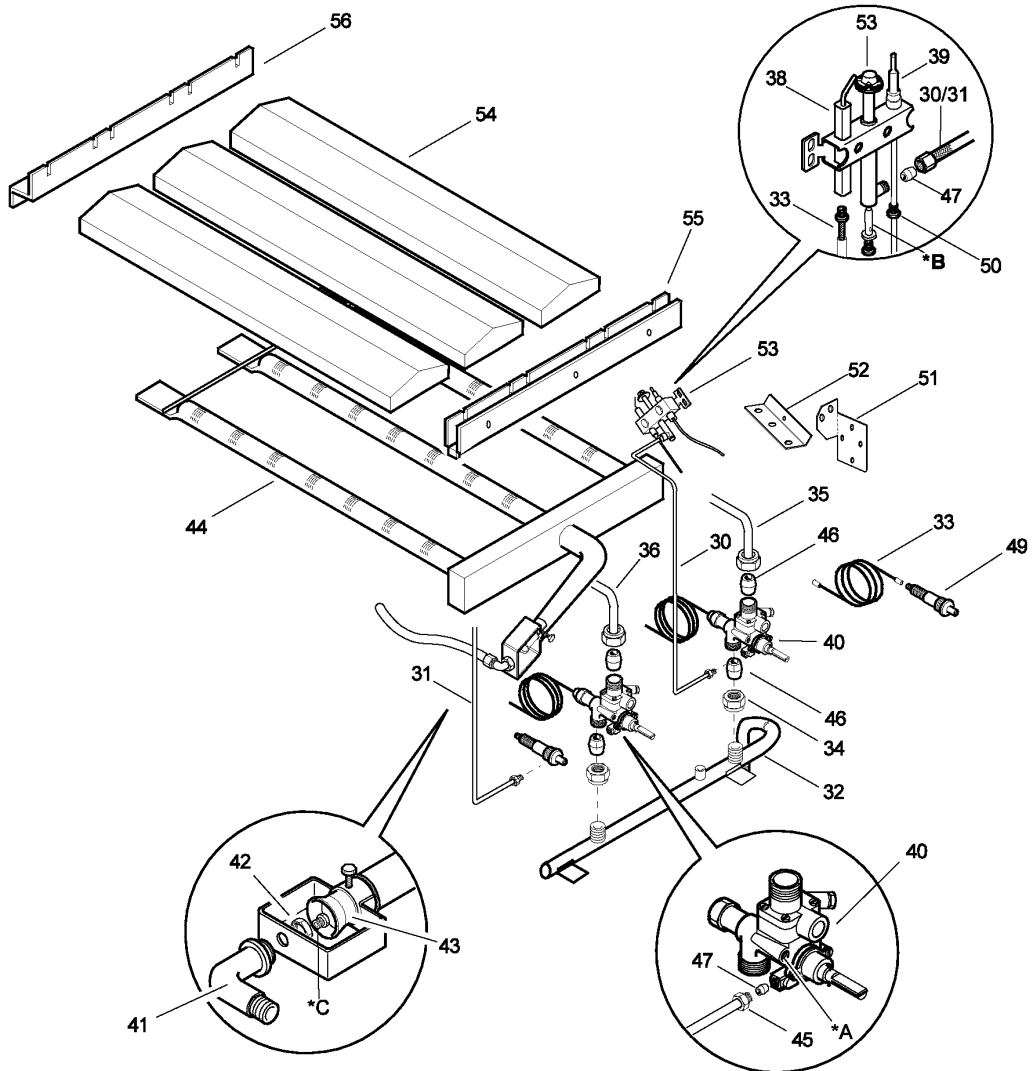
From sr. Nr/ Da Ser. Nr.: 116

Page: 2 Ed. 2013 04

Doc. Nr.: **059785FZ00**

Model	All								
Table	59785FZ00		Page	2		General componets			
Pos.	Spare Part	Alias Code	Repl. by	S	Info	Kit	Techn. Bulletin	Description	Notes
0001	0C0424	0510820902						GRILL; 640X178MM	800 mm
0001	0C0450	0510820802						GRILL; 640X159MM	400 mm
0003	0C7605	087089DF00						SHELF	ELX
0003	0C7606	087089DG00						SHELF	ELX
0003	0C7607	087089FB00						SHELF	ZAN, OEM GAS
0003	0C7609	087089FD00						SHELF	ZAN, OEM
0003	0C7610	087089GA00						SHELF	ZAN, OEM EL
0004	000000	0147098070							
0005	0C2496	0543821900		S				GASKET; CONTROL PANEL; BY METER; GREY	
0006	000000	050389V100							OEM - GAS
0006	000000	050389V200							OEM - GAS
0006	0C7202	085089BM00						CONTROL PANEL	ELX - EL
0006	0C7206	085089G800						CONTROL PANEL	ZAN - EL
0006	0C7592	085589C500						CONTROL PANEL	ELX - GAS
0006	0C7593	085589C600						CONTROL PANEL	ELX - GAS
0006	0C7594	085589CG00						CONTROL PANEL	ZAN - GAS
0006	0C7608	087089FC00						CONTROL PANEL	ZAN - GAS
0006	0C7611	087089GP00						CONTROL PANEL	ZAN - EL
0006	0C7818	085089BK00						CONTROL PANEL	ELX - EL
0006	0C8100	050389NR00						CONTROL PANEL	OEM - EL
0006	0C8101	050389NT00						CONTROL PANEL	OEM - EL
0007	0C7583	085089D500						DRAWER; LEFT	400 mm
0007	0C7584	085089D600						DRAWER; RIGHT	800 mm
0008	0C6793	0515899B01						HANDLE; L=260MM	ELX
0008	0C7564	050389V000						HANDLE	ZAN, OEM
0009	0C6891	0530R01701						HANDLE SUPPORT	ELX
0010	0C7582	085089D400						DRAWER; LEFT	800 mm
0011	0A5621	0548865500		S				KNOB; Ø PIN=6MM	OEM
0011	0C1380	0548865700		S				KNOB	OEM
0011	0C6670	0511850G01	0C8700			+		KNOB; DIA.10	ELX
0011	0C7180	0548878001		S				KNOB; DIA.10MM	ZAN
0011	0C7232	0548878201		S				KNOB; DIA.6	ZAN
0012	0C6671	0548876S00		S				RING NUT	ELX
0012	0C7178	0548877X00						RING NUT	ELX TOWN GAS
0012	0C7243	0548879F00		S				RING NUT	ZAN, OEM
0012	0C7430	0548879Z00						RING NUT	ZAN, OEM

Model	All								
Table	59785FZ00		Page	2		General componets			
Pos.	Spare Part	Alias Code	Repl. by	S	Info	Kit	Techn. Bulletin	Description	Notes
0012	0C7626	0548877P00						RING NUT	ELX
0013	069567	0218912211	0C6288					RING CONNECTION	
0014	0C7345	0548877V00		S				KNOB ADAPTER	ELX - ELECTRIC
0015	069567	0218912211	0C6288					RING CONNECTION	
0016	0C0467	0835860001						FOOT; H=350MM	
0017	000000	0538841600							400 mm
0017	000000	0538841700							800 mm
0018	000000	083089F900							400 mm
0018	000000	083089FA00							800 mm
0018	0C0470	0529840503						PANEL	400 mm
0018	0C0471	0529840604						PANEL	800 mm
0019	0C0474	0831802601	0C9974					SCRAPER	
0020	0C6823	0530R01801	0C6901					PLUG	ELX
0021	059299	0514885600						HANDLE	ELX
0022	000000	085089JJ00							ELX
0022	0C9912	085089JL00			D			LEFT SIDE	ZAN
0023	000000	085089JH00							ELX
0023	000000	085089JK00							ZAN
0024	0C0477	0219293205						COTTER PIN	
0026	0C0137	0516860702				+		PLATE	
0027	0C6171	541813800	0C6172					WASHER; SILICONE	
0028	0C0156	0527850500						BRACKET	
0029	0C4053	0533869700						PROTECTION SHEET	ELECTRIC
002a	0C5261	0530881501			D			SPLASH GUARD; REAR 400MM	400 mm
002a	0C5262	0530881601						SPLASH GUARD; REAR; 800MM	800 mm
002b	0C5263	0530881401						SPLASH GUARD; LEFT	
002c	0C5264	0530881201						SPLASH GUARD; RIGHT	



From sr. Nr/ Da Ser. Nr.: 116

Page: 3 Ed. 2013 04

Doc. Nr.: **059785FZ00**

Model	All								
Table	59785FZ00		Page	3		Gas components			
Pos.	Spare Part	Alias Code	Repl. by	S	Info	Kit	Techn. Bulletin	Description	Notes
0030	0C0481	0517871102						PIPE; RH	800 mm
0030	0C5402	0513806500						PIPE	400 mm
0031	0C5118	0517871003						PIPE; LEFT	800 mm
0032	0C0483	0806821400						PIPE	400 mm
0032	0C0484	0806821501						PIPE	800 mm
0033	006514	0638883500	002544		A			IGNITION CABLE; 700 MM	
0034	050670	0214111412						NUT; M20X1,5	
0035	0C7355	0806821202						VALVE-BURNER PIPE; RIGHT	800 mm
0035	0C7356	0806821303						VALVE-BURNER PIPE	400 mm
0036	0C7354	0806821102						VALVE-BURNER PIPE; LEFT	800 mm
0038	0C0488	0830897000	056754					ELECTRODE; SPARK PLUG	
0039	052814	0830852900						THERMOCOUPLE; M9X1 L=85 CM	
0040	0C6758	0835875Q01		S	A			GAS TAP	
0041	059375	0511805801						NOZZLE	
0042	020997	0214105101						LOCK NUT	
0043	052062	0215088100		S				BUSH	
0044	0C3953	0835857002	0CA385					GAS BURNER; ASSY	
0045	052125	0214164400						PIPE FITTING; M10X1; HOLE DIAM.4MM	
0046	054979	0515860200						DOUBLE CONE	
0047	053665	0515827401						DOUBLE CONE; DIAM.=4MM	
0049	059251	0835829600	002605				02005	PIEZOELECTRIC IGNITER	
0050	0C0121	0214162000						PIPE FITTING	
0051	0C0492	0528820002						SUPPORT	
0052	0CA056	0528864100			D			PILOT BURNER SUPPORT	400 mm
0053	0C0494	0830894900		S	A			PILOT BURNER	
0054	0C3945	0806855700		S				RADIANT PLATE FOR GRILL; 800	800 mm
0054	0C3946	0806856000						RADIANT PLATE FOR GRILL; 400	400 mm
0055	0C4056	0528866300						SUPPORT; ANT 400	400 mm
0055	0C4057	0528866500						SUPPORT; ANT. 800	800 mm
0056	0C4058	0528866400						SUPPORT; POST. 400	400 mm
0056	0C4059	0528866600						SUPPORT; POST. 800	800 mm

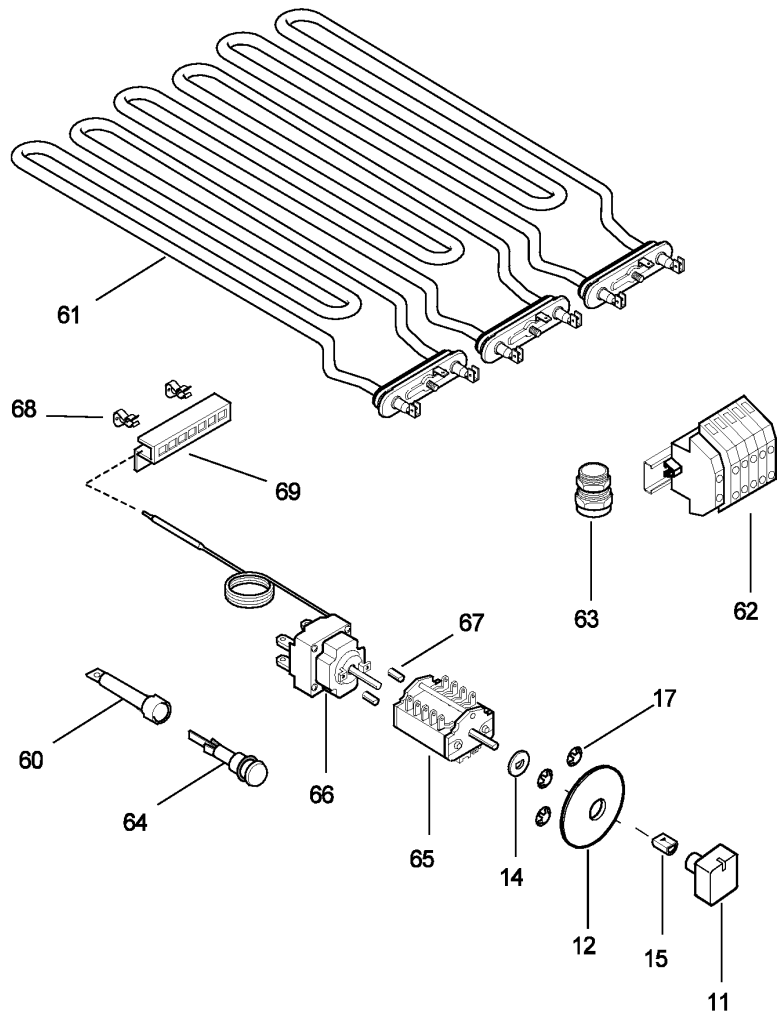
A - Vite di minimo / Min screw		
Spare Code	Ref./ Notes	
002993	n°180 2H/2E+	G20 20mbar
002993	n°180 2H	G20 25mbar
002993	n°180 2ELL	G25 20mbar
002993	n°180 2L	G25 25mbar
002993	n°180 2S	G25.1 25mbar
056742	n°110 3+3B/P	G30/31 30mbar
056742	n°110 3B/P	G30/31 36mbar
002392	n°95 3B/P	G30/31 50mbar
002494	n°220 No CE	G20 10mbar
-	adjust	G110
-	adjust	G120

B - Ugello pilota / Pilot nozzle			
Spare Code	Ref./ Notes		Ref / appliances
056656	n°35 2H/2E+	G20 20mbar	
056656	n°35 2H	G20 25mbar	
056656	n°35 2ELL	G25 20mbar	
056656	n°35 2L	G25 25mbar	
056656	n°35 2S	G25.1 25mbar	
058330	n°25 3+3B/P	G30/31 30mbar	
058330	n°25 3B/P	G30/31 36mbar	
058330	n°25 3B/P	G30/31 50mbar	
056656	n°35 No CE	G20 10mbar	
056798	n°70	G110	e,f,m,n,o,p,q,r
056798	n°70	G120	e,f,m,n,o,p,q,r
059381	n°75	G110	a,b,c,d,g,h,i,l
059381	n°75	G120	a,b,c,d,g,h,i,l

C - Ugello bruciatore / Burner nozzle			
Spare Code	Ref. / Notes		
059382	ø2.50 2H/2E+	G20 20mbar	
0A5356	ø2.35 2H	G20 25mbar	
0A2868	ø2.75 2ELL	G25 20mbar	
0A2570	ø2.60 2L	G25 25mbar	
0A2570	ø2.60 2S	G25.1 25mbar	
0A2141	ø1.65 3+3B/P	G30/31 30mbar	
0A2103	ø1.55 3B/P	G30/31 36mbar	
0A2091	ø1.45 3B/P	G30/31 50mbar	
059358	ø2.85 No CE	G20 10mbar	
0C0449	ø5.40	G110	
003951	ø4.70	G120	

From sr. Nr/ Da Ser. Nr.: 116 Page: 4 Ed. 2013 04	Doc. Nr.: 059785FZ00
--	-----------------------------

Model	All								
Table	59785FZ00		Page	4	Nozzle				
Pos.	Spare Part	Alias Code	Repl. by	S	Info	Kit	Techn. Bulletin	Description	Notes
0000	002392							SCREW	
0000	002494							SCREW	
0000	002993			S				SCREW	
0000	003951							NOZZLE	
0000	056656							PILOT BURNER NOZZLE; N°35; GN	
0000	056742							SCREW	
0000	056798			S				NOZZLE	
0000	058330							PILOT NOZZLE; N°25; GPL	
0000	059358							NOZZLE; DIA.2,85	
0000	059381							PILOT BURNER NOZZLE; N°75; TOWN GAS	
0000	059382							NOZZLE	
0000	0A2091							NOZZLE FOR GAS; DIA. 1,45	
0000	0A2103							NOZZLE; DIA 1,55	
0000	0A2141							NOZZLE; DIA 1.65	
0000	0A2570							NOZZLE; DIA.2,60	
0000	0A2868			S				NOZZLE; DIAM.2,75	
0000	0A5356							NOZZLE	
0000	0C0449							NOZZLE; DIA.5,40	



Model	All								
Table	59785FZ00	Page	5	Electric Components					
Pos.	Spare Part	Alias Code	Repl. by	S	Info	Kit	Techn. Bulletin	Description	Notes
0011	0A5621	0548865500		S				KNOB; Ø PIN=6MM	OEM
0011	0C1380	0548865700		S				KNOB	OEM
0011	0C6670	0511850G01	0C8700			+		KNOB; DIA.10	ELX
0011	0C7180	0548878001		S				KNOB; DIA.10MM	ZAN
0011	0C7232	0548878201		S				KNOB; DIA.6	ZAN
0012	0C6671	0548876S00		S				RING NUT	ELX
0012	0C7178	0548877X00						RING NUT	ELX TOWN GAS
0012	0C7243	0548879F00		S				RING NUT	ZAN, OEM
0012	0C7430	0548879Z00						RING NUT	ZAN, OEM
0012	0C7626	0548877P00						RING NUT	ELX
0014	0C7345	0548877V00		S				KNOB ADAPTER	ELX - ELECTRIC
0015	069567	0218912211	0C6288					RING CONNECTION	
0017	000000	0538841600							400 mm
0017	000000	0538841700							800 mm
0060	005370	0638865100						LEAKAGE RESISTANCE; 270 OHM	
0061	0C0495	0617825101		S	A			HEATING ELEMENT; 2500W 400V	
0062	059239	0639805001	0F0035					TERMINAL BOARD; 10MM2	
0063	0C0068	0544802300						FIXING CABLE	
0064	005010	0876800002						GREEN PILOT LAMP ASSY; ROUND; 230V	
0065	006649	0641803400		S	A			COMMUTATOR; 5 POS.	
0066	052099	0446578913						THERMOSTAT; 60-320 C	
0067	050256	0214123600						PIN	
0068	066823	0214584201						BULB FIXING SPRING	
0069	0C4054	0527893500						PROTECTION	