

FT...-61E... FT...-62E... FT...-63E... FT...-64E...

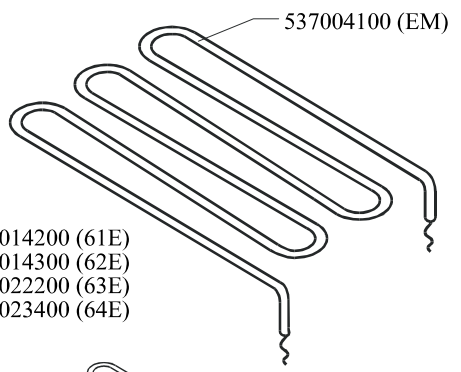


- 541015400 (61E)
- 541015500 (62E)
- 541022000 (63E)
- 541027500 (64E)

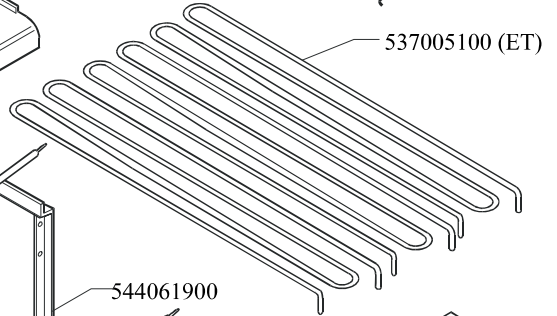
- 541017700 (L-61E)
- 541017800 (R-61E)
- 541018700 (L-61ES)
- 541059100 (R-61ES)
- 541017900 (L-62E)
- 541018000 (LR-62E)
- 541018100 (R-62E)
- 541018800 (L-62ES)
- 541059200 (LR-62ES)
- 541059300 (R-62ES)
- 541022400 (L-63E)
- 541022500 (LR-63E)
- 541022600 (L-63ES)
- 541059400 (LR-63ES)
- 541023601 (L-64E)
- 541023701 (LR-64E)
- 541023901 (L-64ES)
- 541023800 (LR-64ES)



- 536001700 (61E/62E)
- 533015700 (61E/62E)
- 533011200 (61E/62E)



- 541014200 (61E)
- 541014300 (62E)
- 541022200 (63E)
- 541023400 (64E)



- 536006900

- 544062000

- 544061900

- 533010300

- 537001200

- 537007600 (EM)
- 537007700 (ET)

- 537012700 (61EM)
- 537012800 (61ET/62E/63E/64E)

- 537001600 (EM)
- 537000900 (ET)

- 536011800 (61E)
- 536012000 (62E/63E/64E)

- 537000400 (EM)
- 537000200 (ET)

- 537013800 (61E)
- 537014000 (62E/63E/64E)

- 541016500

- 537014200
- 537014100

- 536002600 (EM)
- 536002300 (ET)

- 544070000 (61E)
- 544070100 (62E)
- 544092800 (63E)
- 544080601 (64E)

Page	Pos	Code	Description
001		541023601	SMOOTH PLATE FTL-64E
001		541027500	NEUTRAL SPACER 64
001		541006900	SPATTLE FT
001		537004100	HEATING ELEMENT W2653 V230 FT
001		541023400	UPPER PLATE FT-64E
001		544061900	RIGHT SIDE PANEL 60 LINE
001		537001200	FIXING BRACKET FOR THERMOSTAT/COMM.
001		541016500	DRIP TRAY FT-61
001		537014200	GREEN WARNING LIGHT 250V
001		537014100	WHITE WARNING LIGHT 250V
001		536002600	KNOB 50-300°C SINGLEPHASE
001		544080601	CONTROL PANEL FT-64E CE
001		537000400	COMMUTATOR 1POS.SINGLEPHASE S49 16A
001		537001600	THERMOSTAT 50-320°C SINGLEPHASE
001		537012800	SAFETY THERMOSTAT 420°C THREEPHASE
001		537014000	CABLE SECURING CLAMP PG-21
001		536012000	HEXAGONAL LOCK NUT PG-21
001		537007600	TERMINAL BLOCK SINGLEPHASE 40A
001		533010300	ADJUSTABLE FOOT M10*20 D.23
001		544062000	LEFT SIDE PANEL 60 LINE
001		536006900	RUBBER CABLE GUIDE D.25MM.HOLE 16MM