

Ersatzteilzeichnung Außengehäuse Tischgeräte P3 Spare part drawing outer casing tabletop units P3

ETZ A - AG 1234 P3 1 / 1

A

6.10
6.20
10.10
10.20



Art. Nr. 9825276_00 | 14.7.2009 | Änderungen vorbehalten! Changes excepted!

gültig ab / valid from:
gültig bis / valid to:

Vorgängerversion / previous version:
Nachfolgeversion / follow-up version:

Enodis
Talstraße 35
D- 82436 Egfling | Germany

Tel. +49(0)8847/67-0
Fax +49(0)8847/414
info@hotairsteamer.com



Ersatzteilzeichnung Tür Tischgeräte P3 Spare part drawing door tabletop units P3

ETZ B - Tür 1234 P3 1 / 1

B

6.10
6.20
10.10
10.20



Art. Nr. 9825280_00 | 14.7.2009 | Änderungen vorbehalten! Changes excepted!

gültig ab / valid from:
gültig bis / valid to:

Vorgängerversion / previous version:
Nachfolgeversion / follow-up version:

Enodis
Talstraße 35
D- 82436 Egfling | Germany

Tel. +49(0)8847/67-0
Fax +49(0)8847/414
info@hotairsteamer.com

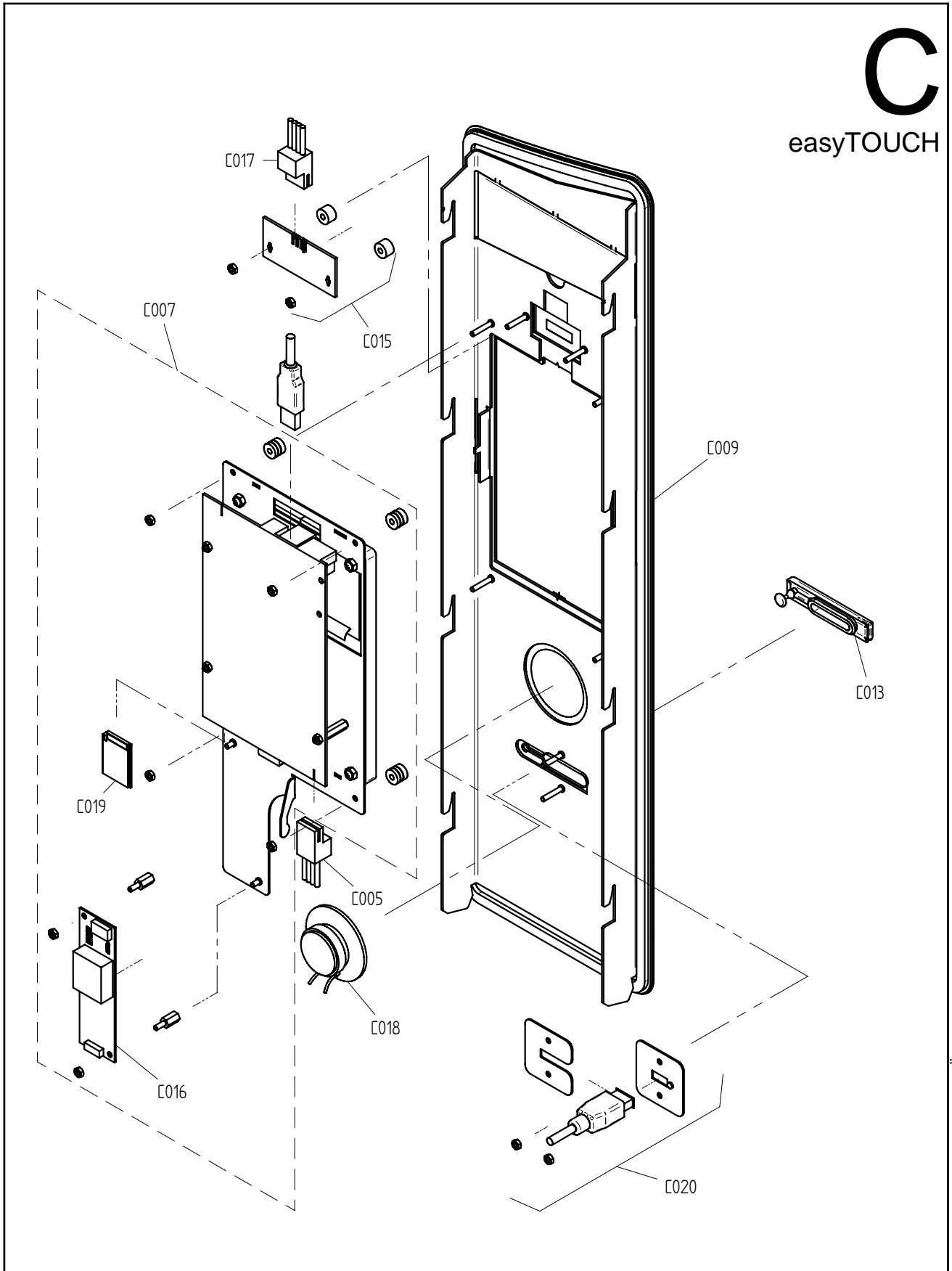


Ersatzteilzeichnung Bedienblende easyTOUCH P3 Spare part drawing operating panel easyTOUCH P3

ETZ C - BM ET P3 1 / 1

C

easyTOUCH



Art. Nr. 9825285_00 | 14.7.2009 | Änderungen vorbehalten! Changes excepted!

| | |
|-------------------------|---------------------------------------|
| gültig ab / valid from: | Vorgängerversion / previous version: |
| gültig bis / valid to: | Nachfolgeversion / follow-up version: |

Enodis
Talstraße 35
D- 82436 Egfling | Germany

Tel. +49(0)8847/67-0
Fax +49(0)8847/414
info@hotairsteamer.com

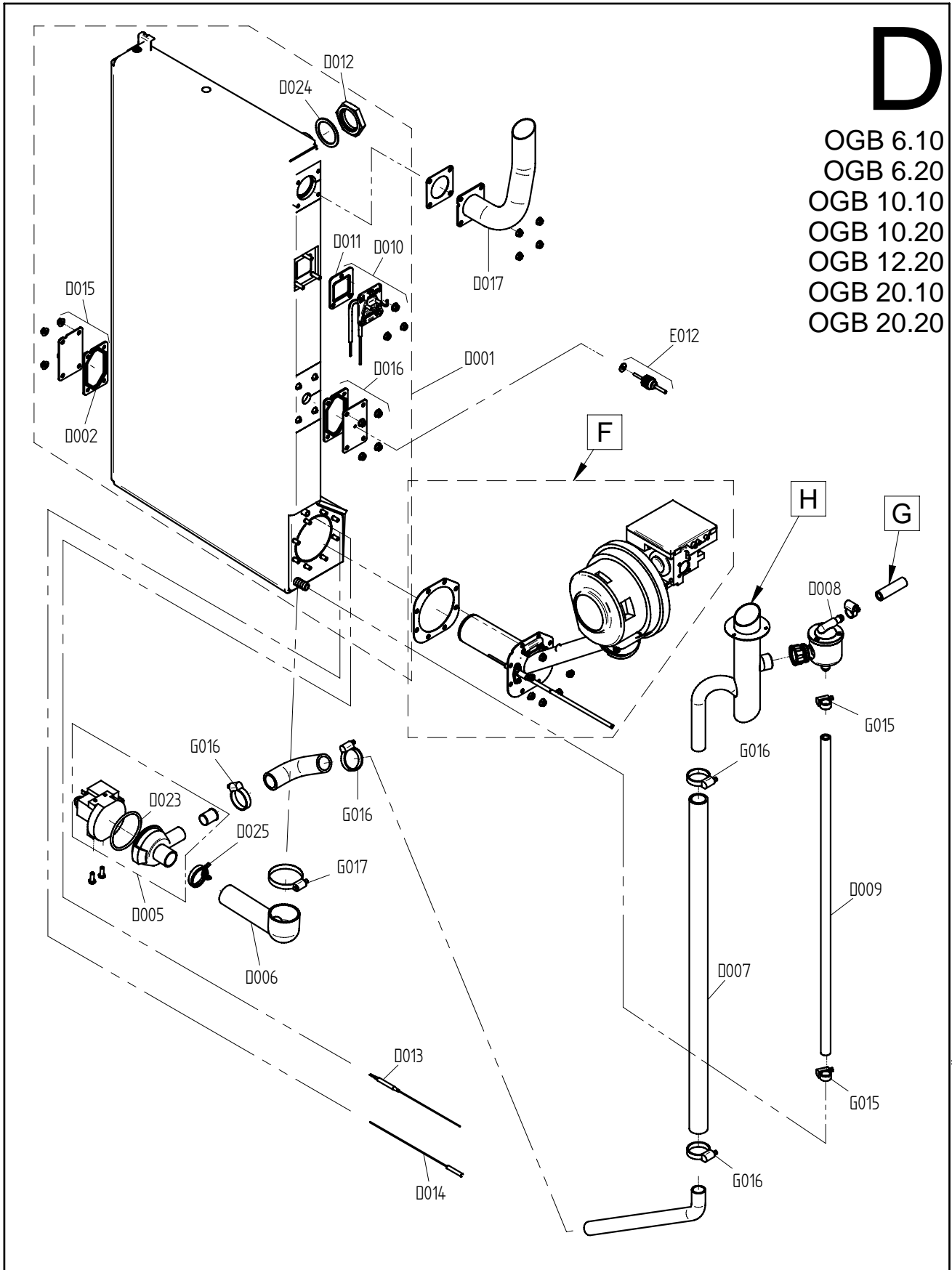


Ersatzteilzeichnung Gas-Dampferzeuger P3 Spare part drawing gas steam generator P3

ETZ D - DE GB P3 1 / 1

D

OGB 6.10
OGB 6.20
OGB 10.10
OGB 10.20
OGB 12.20
OGB 20.10
OGB 20.20



Art. Nr. 9825291_00 | 14.7.2009 | Änderungen vorbehalten! Changes excepted!

| | |
|-------------------------|---------------------------------------|
| gültig ab / valid from: | Vorgängerversion / previous version: |
| gültig bis / valid to: | Nachfolgeversion / follow-up version: |

Enodis
Talstraße 35
D- 82436 Egfling | Germany

Tel. +49(0)8847/67-0
Fax +49(0)8847/414
info@hotairsteamer.com

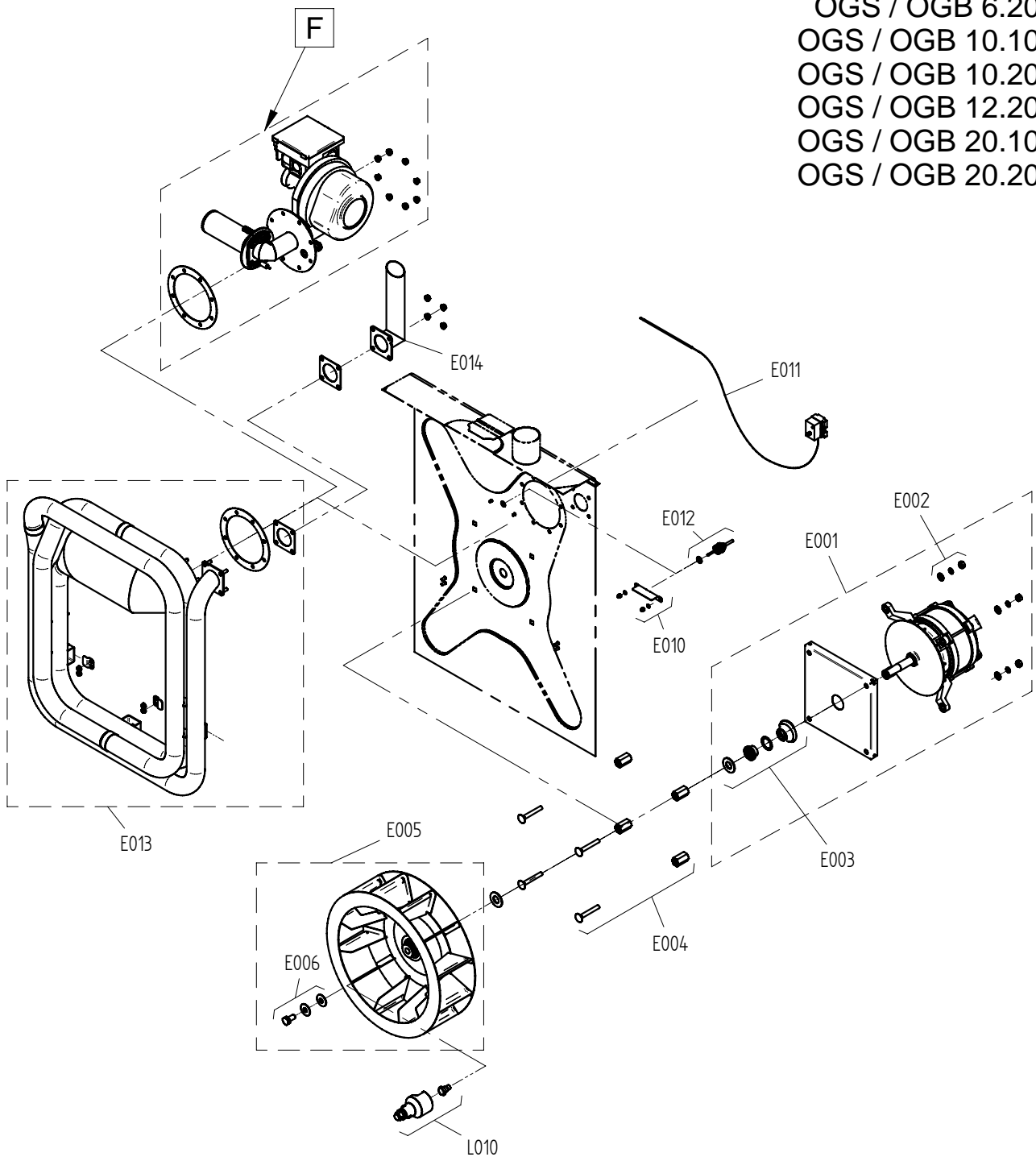


Ersatzteilzeichnung Heissluffterzeugung Gas P3
Spare part drawing gas heating system P3

ETZ E - HL-Heizung GAS P3 1 / 1

E

OGS / OGB 6.10
OGS / OGB 6.20
OGS / OGB 10.10
OGS / OGB 10.20
OGS / OGB 12.20
OGS / OGB 20.10
OGS / OGB 20.20



Art. Nr. 9825297_00 | 14.7.2009 | Änderungen vorbehalten! Changes excepted!

gültig ab / valid from:
gültig bis / valid to:

Vorgängerversion / previous version:
Nachfolgeversion / follow-up version:

Enodis
Talstraße 35
D- 82436 Egfling | Germany

Tel. +49(0)8847/67-0
Fax +49(0)8847/414
info@hotairsteamer.com

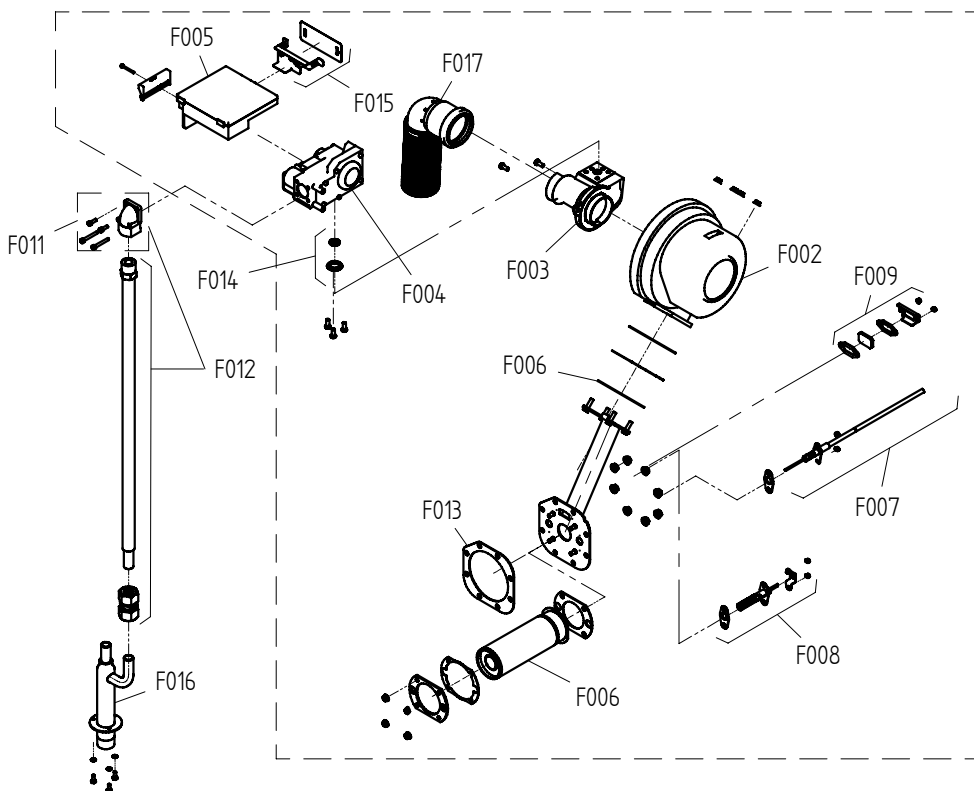
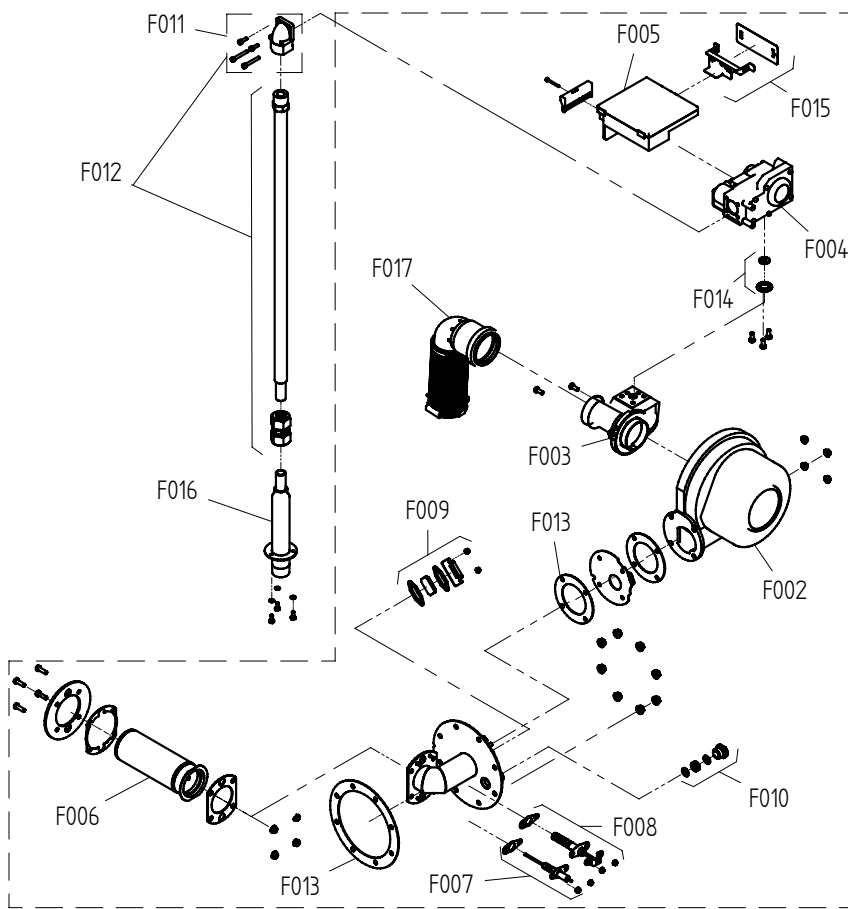


Ersatzteilzeichnung Gas Brenneinheit P3 Spare part drawing gas burner unit P3

ETZ F - Brenneinheit GAS P3 1 / 1

F

Heissluftheizung /
hot air heating
OGS / OGB 6.10
OGS / OGB 6.20
OGS / OGB 10.10
OGS / OGB 10.20
OGS / OGB 12.20
OGS / OGB 20.10
OGS / OGB 20.20



Dampferzeuger /
steam generator
OGB 6.10
OGB 6.20
OGB 10.10
OGB 10.20
OGB 12.20
OGB 20.10
OGB 20.20

Art. Nr. 9825300_00 | 14.7.2009 | Änderungen vorbehalten! Changes excepted!

gültig ab / valid from:
gültig bis / valid to:

Vorgängerversion / previous version:
Nachfolgeverson / follow-up version:

Enodis
Talstraße 35
D- 82436 Eglfing | Germany

Tel. +49(0)8847/67-0
Fax +49(0)8847/414
info@hotairsteamer.com

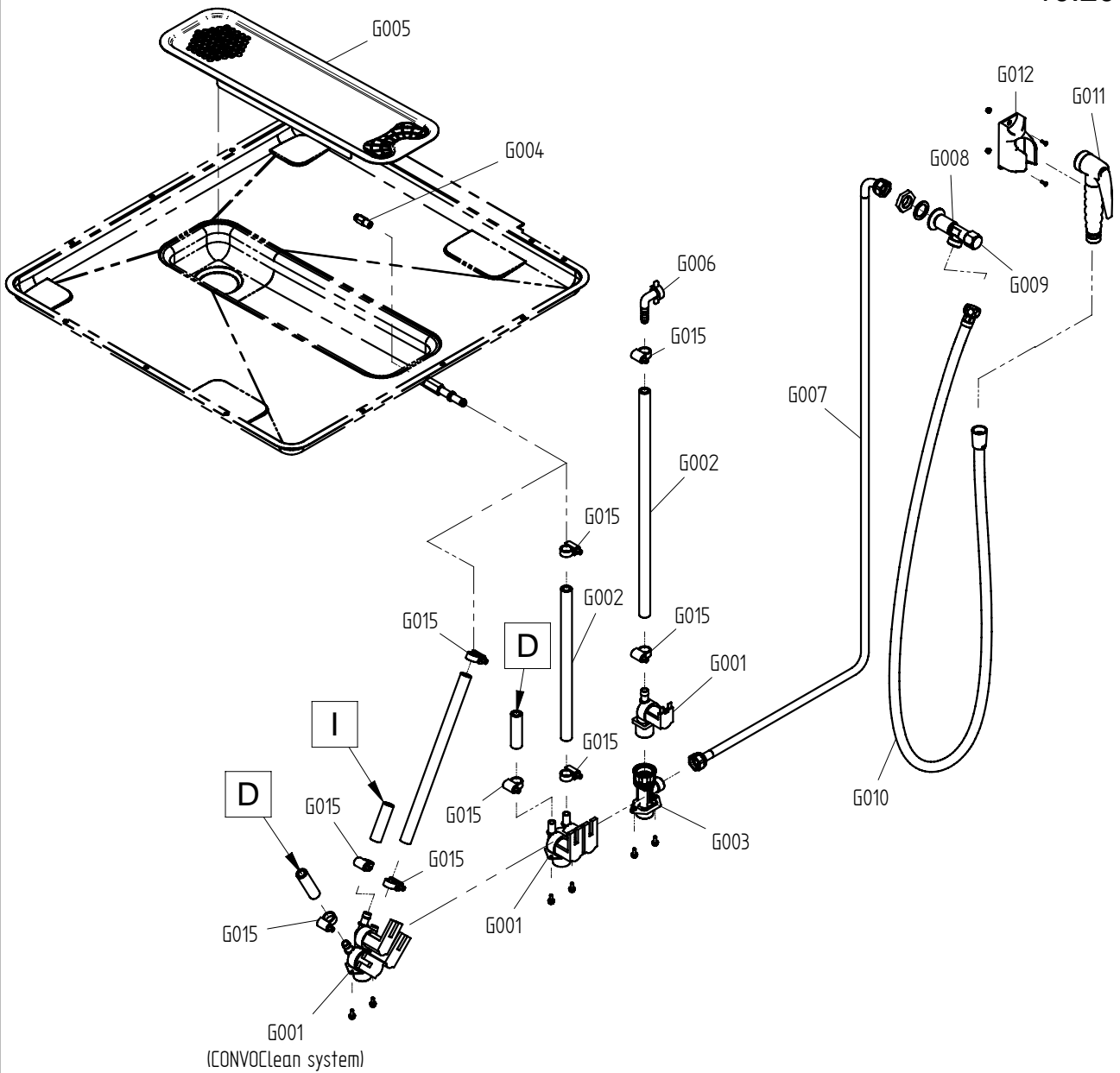


Ersatzteilzeichnung Wasserversorgung Tischgeräte P3
Spare part drawing water supply tabletop units P3

ETZ G - WV P3 1 / 1

G

6.10
6.20
10.10
10.20



Art. Nr. 9825301_00 | 14.7.2009 | Änderungen vorbehalten! Changes excepted!

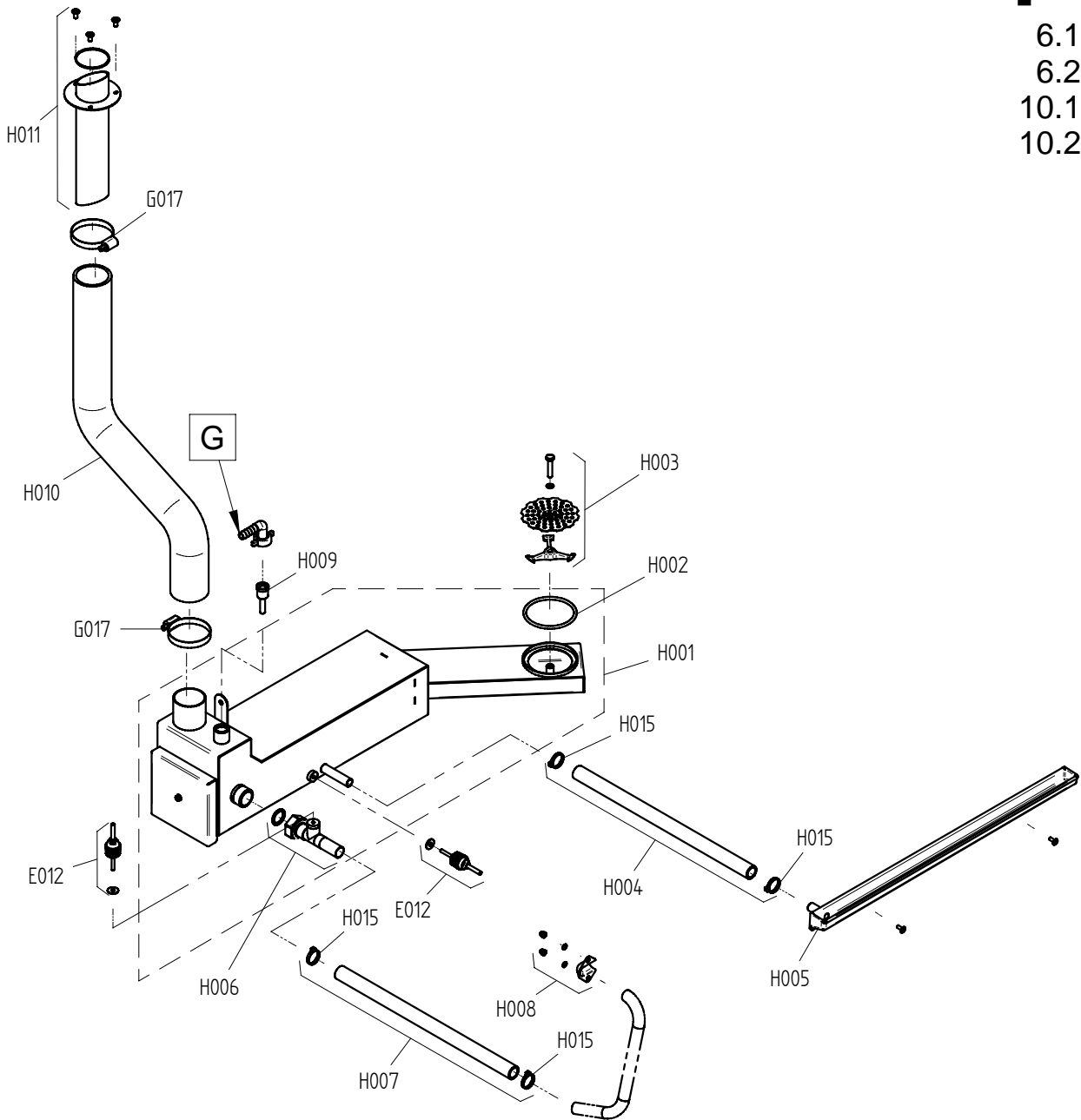
gültig ab / valid from:
gültig bis / valid to:

Vorgängerversion / previous version:
Nachfolgeverson / follow-up version:

Ersatzteilzeichnung Abwasserentsorgung Tischgeräte P3 Spare part drawing sewage disposal tabletop units P3

ETZ H - Abwasser 1234 P3 1 / 1

H
6.10
6.20
10.10
10.20



Art. Nr. 9825307_00 | 14.7.2009 | Änderungen vorbehalten! Changes excepted!

| | |
|-------------------------|---------------------------------------|
| gültig ab / valid from: | Vorgängerversion / previous version: |
| gültig bis / valid to: | Nachfolgeversion / follow-up version: |

Enodis
Talstraße 35
D- 82436 Egfling | Germany

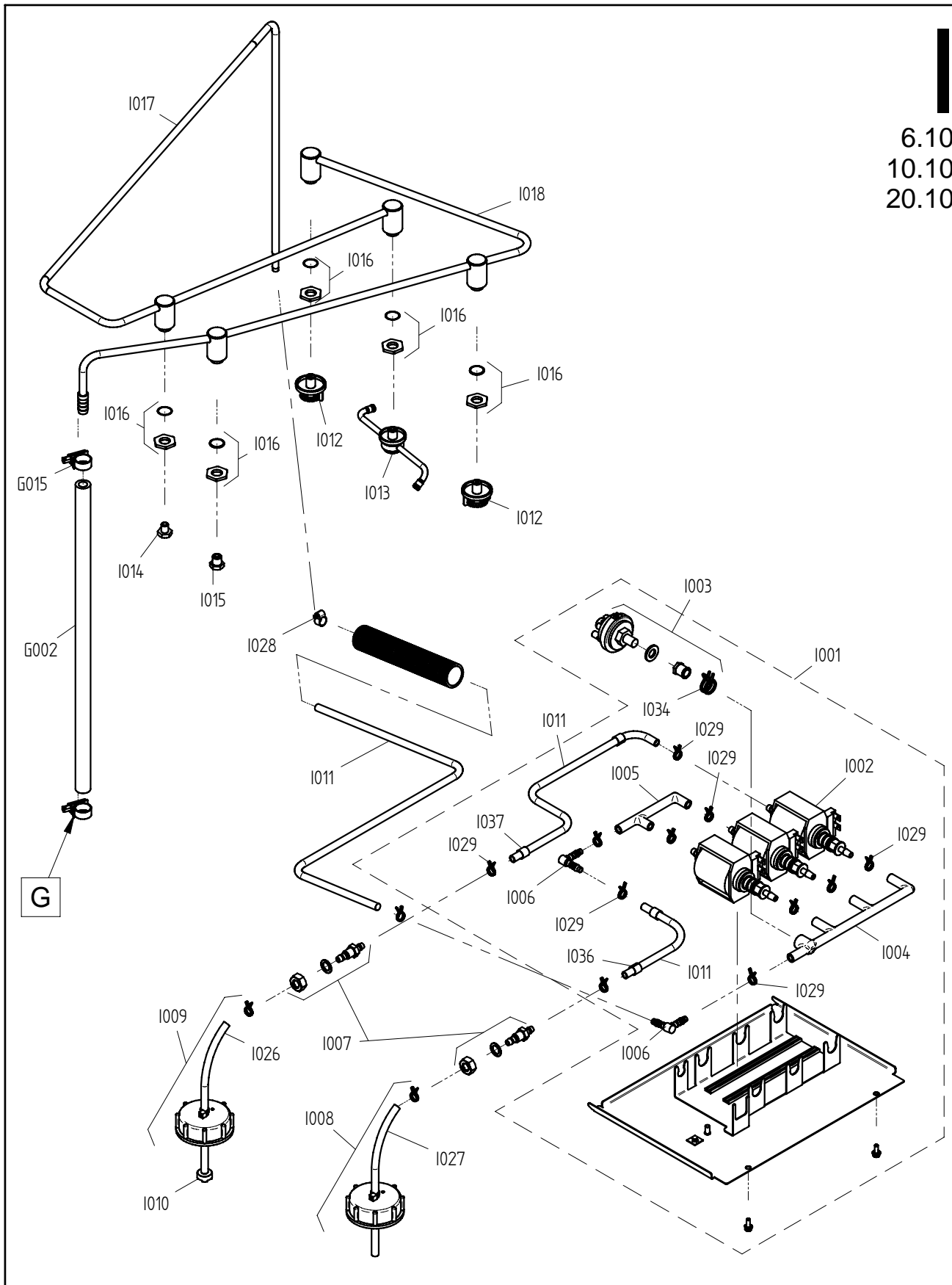
Tel. +49(0)8847/67-0
Fax +49(0)8847/414
info@hotairsteamer.com



Ersatzteilzeichnung CONVOClean system P3 Spare part drawing CONVOClean system P3

ETZ I - CC 136 P3 1 / 1

6.10
10.10
20.10



Art. Nr. 9825311_00 | 14.7.2009 | Änderungen vorbehalten! Changes excepted!

| | |
|-------------------------|---------------------------------------|
| gültig ab / valid from: | Vorgängerversion / previous version: |
| gültig bis / valid to: | Nachfolgeversion / follow-up version: |

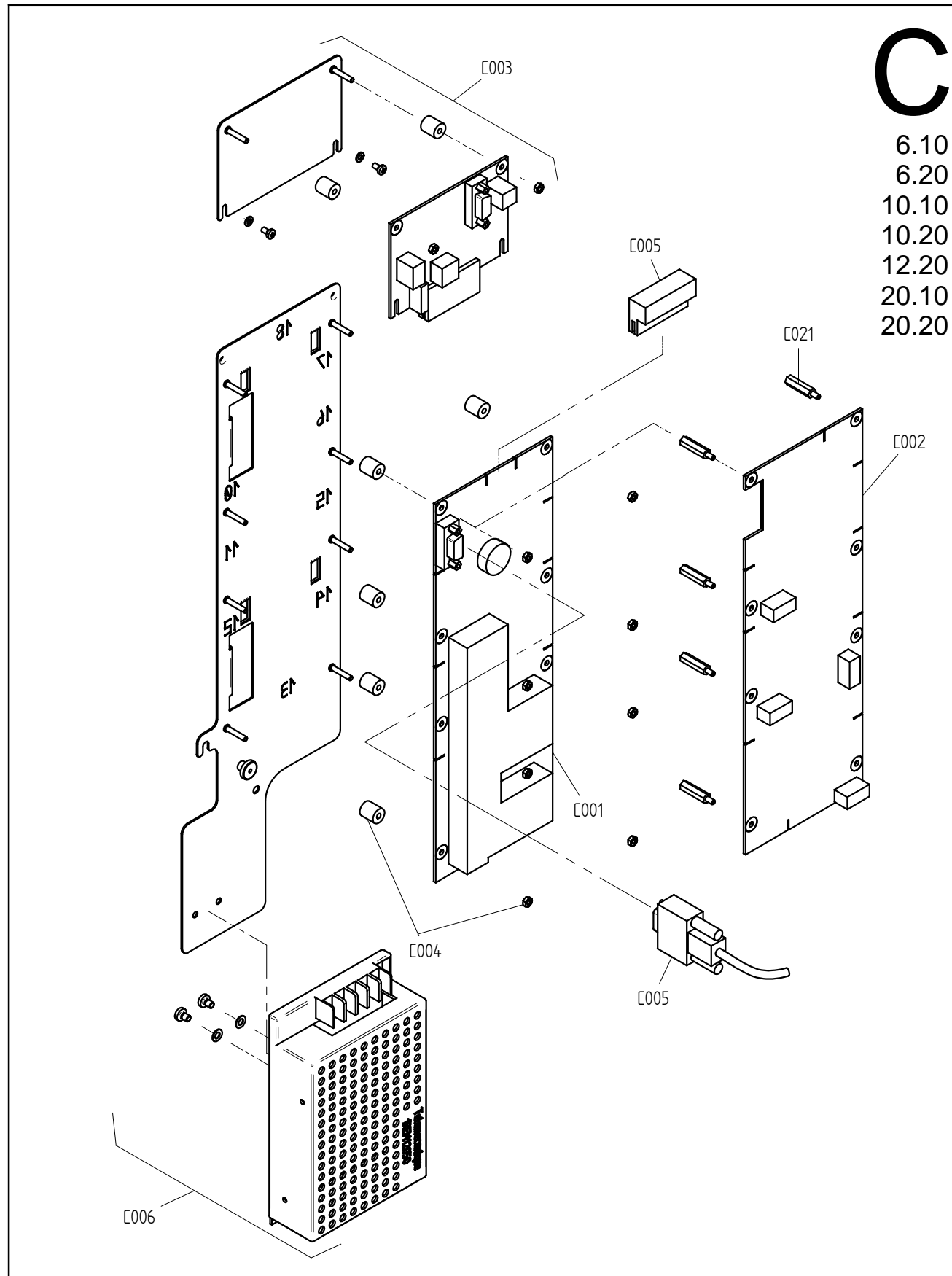
Enodis
Talstraße 35
D- 82436 Egfling | Germany

Tel. +49(0)8847/67-0
Fax +49(0)8847/414
info@hotairsteamer.com



Ersatzteilzeichnung Steuerung P3 Spare part drawing control boards P3

ETZ C - SM GM NT kpl P3 1 / 1



| | |
|------------------------------------|--|
| gültig ab / valid from: 12.02.2010 | Vorgängerversion / previous version: 9825282 |
| gültig bis / valid to: | Nachfolgeversion / follow-up version: |

Enodis
Talstraße 35
D- 82436 Eglfing | Germany

Tel. +49(0)8847/67-0
Fax +49(0)8847/414
info@hotairsteamer.com



Art. Nr. 9825326_00 | 09.03.2010 | Änderungen vorbehalten! Changes excepted!

| | | |
|------|------------|---|
| A001 | - 2117411 | - Left side panel 6.10 P3 |
| A002 | - 2117451 | - Rear panel OGB 6.10 |
| A003 | - 2115441 | - Front section 6.10 P3 |
| A004 | - 2114632 | - Rear left corner section 6.10 P3 |
| A005 | - 2118223 | - Cover OGB 6.10 |
| A006 | - 2119229 | - Condenser cover OGB 6.10/10.10/20.10 P3 |
| A007 | - 2618779 | - 230V 25W light bulb set with seal |
| A008 | - 2618780 | - Oven-compartment light set including reflector |
| A009 | - 7011001 | - Door hygienic plug-in gasket 6.10 P3 |
| A011 | - 2217000 | - Left shelf rack 6.10 for CONVOClean system P3 |
| A012 | - 2217061 | - Right shelf rack 6.10 for CONVOClean system P3 |
| A013 | - 5013001 | - Multipoint core temperature sensor with screw connection P3 |
| A014 | - 6015026 | - Seal for core temperature sensor P3 |
| A016 | - 2608962 | - Low pressure cutout P3 |
| A017 | - 2216090 | - Secondary fan P3 with fixing accessories |
| A018 | - 5018040 | - Secondary fan P3 |
| A019 | - 6004044 | - Appliance foot for P3 table-top appliances, adjustable height |
| A029 | - 7003066 | - Gasket 9x3mm |
| A030 | - 5016001K | - Cable gland M25 |
| A031 | - 6005068 | - 44x5 mm seal for low pressure cutout P3 |
| A032 | - 6005427 | - Grommet, diameter 83 (DG 60) |
| B001 | - 2520406 | - Door assembly 6.10 P3 |
| B002 | - 2518479 | - Interior door 6.10 P3 with fixing accessories |
| B003 | - 2525040 | - Door handle P3 Hygienic antibacterial w.fixing accessories |
| B004 | - 6015248 | - Catch for interior door of table-top appliances P3 |
| B005 | - 2014005 | - Silicon door clip P3 |
| B006 | - 6015200 | - Door spacer P3 |
| B007 | - 2517292 | - Set of top and bottom interior-door hinges P3 with fixing accessories |
| B009 | - 2014007 | - Hinge plate for top of door P3 |
| B010 | - 2014003 | - Hinge plate for bottom of door P3 |
| B011 | - 2616469 | - Door drip tray 6.10/10.10 P3 |
| B012 | - 2614800 | - Slide panel assembly for disappearing door 6.10 P3 |
| B013 | - 2123270 | - Slide panel cover for disappearing door 6.10 P3 |
| B014 | - 2619152 | - Catch block on slide panel for disappearing door P3 with fixing accessories |
| B015 | - 2523667 | - Top and bottom hinge arm P3 with fixing accessories |
| B016 | - 2619141 | - Guide roller for disappearing door P3 with fixing accessories |
| B017 | - 2619156 | - Retaining block for disappearing door P3 with fixing accessories |
| B018 | - 2619153 | - Door stop for disappearing door P3 with fixing accessories |
| B019 | - 2619154 | - Support bar for disappearing door P3 with fixing accessories |
| B020 | - 2619138 | - Guide rail for disappearing door 6.10/10.10 P3 with fixing accessories |
| B021 | - 2619155 | - Guide strip for disappearing door P3 with fixing accessories |
| B022 | - 2117280 | - Buffer for disappearing door P3 with fixing accessories |
| B023 | - 2614740 | - Guide fixing bracket for door on table-top appliances P3 |
| B024 | - 2216070 | - Door catch block P3 with fixing accessories |
| B025 | - 2518798 | - Door contact switch OES mini |
| B030 | - 2619142 | - slide panel 6.10 P3 including guide rail and fixing accessories |
| B033 | - 6002056 | - Plastic plug for door latch |
| C001 | - 5019406 | - 5010 controller for SM control module P3 |
| C002 | - 5019402 | - 5010 controller for GM gas module P3 |
| C004 | - 2618785 | - Fixing accessories for controller P2 P3 OES mini |
| C005 | - 5009304 | - Connecting cable between control module and operating module P2 P3 |
| C005 | - 5019322 | - Data cable between easyTOUCH operating module and control module P3 |
| C006 | - 2619973 | - Retrofit kit for supply module (P2, P3, OES mini) |
| C007 | - 2126353 | - 7010 controller for easyTOUCH LED operating module P3 and OES mini |
| C009 | - 2126350 | - easyTOUCH LED "CONVOTHERM" front panel OEB/OGB |
| C013 | - 6016521 | - Plug-in cover for USB port easyTOUCH |
| C015 | - 2119918 | - easyTOUCH main switch with fixing accessories |
| C017 | - 5019323 | - Power cable for easyTOUCH operating module |
| C018 | - 5019327 | - Loudspeaker for 7000 controller easyTOUCH |
| C019 | - 4008099 | - Memory card for easyTOUCH operating module |
| C020 | - 2119921 | - USB port for 7000 controller easyTOUCH with fixing accessories |
| C021 | - 8014000 | - Spacer pin M3 20 mm |
| D001 | - 2317310 | - Steamgenerator assembly OGB6.10 exclu.burner unit, with fixing accessories |
| D002 | - 6015023 | - Gasket for immersion heater P3 |
| D005 | - 5008079K | - Steam-generator emptying pump 200/240V with fixing accessories |
| D006 | - 6015100K | - Right-angle drain pipe for steam generator P3 with fixing accessories |
| D007 | - 7012018 | - Steam-generator downpipe P3 |
| D008 | - 6016500 | - Return-flow protection for steam generator P3 |
| D009 | - 7012086 | - 1/2" pipe for filling the steam generator P3 |
| D010 | - 5019000K | - Dual-level sensor P3 with fixing accessories |
| D011 | - 6015040 | - Gasket for dual-level sensor P3 |
| D012 | - 6006092 | - Hexagonal nut R1 1/4" for steam-generator screw coupling |
| D013 | - 5016003 | - Thermal-cutout thermocouple for gas steam generator P3 |
| D014 | - 5019004 | - Thermal cutout for gas steam generator P3 (135°C) |

D015 - 2314968K - Inspection flange for gas steam generator P3 with fixing accessories
 D016 - 2314974K - Inspection flange for gas steam generator, threaded, P3 with fixing access.
 D017 - 2012207 - Gas flue pipe for steam generator OGB 6.10 insulated
 D024 - 6005025 - Gasket 42.5x54x2 (1 1/4") for steam generator P3
 D025 - 8009057 - Wire clip 36 mm
 E001 - 2617283 - Motor 380/415V 6.10/6.20/10.10/20.10 P3 with reduced fan speed
 E002 - 2617294 - Set of fixing parts for motor and fan P3
 E003 - 2617295 - Set of seals for motor shaft P3
 E004 - 2625109 - Set of motor pins P3
 E005 - 2619957 - Fan wheel, diameter 280 mm P3
 E006 - 2617293 - Set of fan fixing parts P3
 E011 - 5001041 - Oven thermal cutout (340°C)
 E012 - 5016014K - Thermocouple sensor P3 / OES mini
 E013 - 2617315 - ConvectorheatexchangerOGS/OGB 6.10 excl. burner unit,with fixg.accessories
 E014 - 2012200 - Gas flue pipe for convector OGS/OGB 6.10 insulated
 F001 - 2625981 - Burner-unit assem. for convector OGS/OGB 6.10/6.20 with fixing accessories
 F002 - 5018000 - Burner fan RG128 230V P3
 F003 - 6016000 - Venturi 40kW P3
 F004 - 6016010 - Gas valve 230V P3
 F005 - 6016021 - Automatic firing device 230V (S4575B 3066)
 F006 - 2010014 - Burner Ø50M150 20kW P3
 F007 - 2617320 - Monitoring electrode OGS/OGB with fixing accessories
 F008 - 2617321 - Incandescence ignition electrode, short, OGS/OGB with fixing accessories
 F009 - 2617323 - Burner inspection window P3 with fixing accessories
 F010 - 2625120 - Burner cable gland with seal OGS/OGB
 F011 - 2625121 - Gas pipe connecting bracket P3 with fixing accessories
 F012 - 2616516 - Gas pipe 580mm long P3 with fixing accessories
 F013 - 2618161 - Set of gaskets for burner 12-20kW P3
 F014 - 2615313 - Butane-propane gas conversion set G30/G31 P3
 F014 - 2615315 - LPG P gas conversion set (Japan) P3
 F014 - 2615312 - Natural gas conversion set E/G20 P3
 F015 - 2618140K - Connector protective sheet f. automatic firing deviceP3with mountg. bracket
 F016 - 2010067 - Dual gas connection R3/4" P3
 F017 - 2615346 - Straight air intake pipe for burner P3
 F018 - 2625984 - Burner-unit assembly for steam generator OGB6.10/6.20/10.10+ fix. Access.
 G001 - 5011000 - Triple solenoid valve, straight 220/240V
 G001 - 5001059 - Single solenoid valve, straight 220/240V
 G002 - 7002033 - Hot water pipe 3/8"
 G003 - 5011003 - Water supply T-connector 2x3/4" 1x1/2" P3
 G004 - 2013002 - Dehumidifier nozzle P3
 G005 - 2216796 - Demoisturising tray cover P3
 G006 - 6015215 - Right-angle pipe connector 3/8" with washer
 G007 - 2016106 - Pipeline for hand-shower connection 6.10 P3
 G008 - 6014003 - Angle valve for hand shower 1/2" P3
 G009 - 6014006 - Rotary cap for angle valve 1/2" P3
 G010 - 7012072 - Hand-shower hose 6.10 / 6.20 / 12.20 / OES 6.10 mini / 10.10 mini
 G011 - 6011010 - Hand-shower hose, table-top appliances P3
 G012 - 6011012 - Hand-shower holder, table-top appliances P3
 G015 - 6006086 - Hose clip 12-22mm
 G016 - 6006087 - Hose clip 25-40mm
 G017 - 6006089 - Hose clip 40-60mm
 G043 - 6015030 - Gasket chimney HL 6.10/6.20/10.10/20.10 P3
 H001 - 2012115K - Condenser for table-top appliances P3 with fixing accessories
 H002 - 6015000 - Condenser seal P3
 H003 - 2425112 - Fixing parts for condenser P3
 H004 - 7012300K - Drain pipe for appliance drip tray 6.10/10.10 P3
 H005 - 2018006 - Appliance drip tray with 12mm drain 6.10/10.10 P3
 H006 - 2016007K - Bypass measuring pipe P3 with fixing accessories
 H007 - 2016000K - Bypass pipe 6.10/10.10 P3 with fixing accessories
 H008 - 2217281 - Bypass cover P3 with fixing accessories
 H009 - 2012103 - Condenser quenching nozzle P3
 H010 - 7012010 - Air outlet tube 6.10 P3
 H011 - 2124580K - Air-outlet pipe end OEB/OGB 6.10/6.20/10.10/10.20 with fixing accessories
 H015 - 4007087 - Heat-resistant cable tie, 140x3.6mm
 I001 - 2114508 - Floor cover panel for appliances without CONVOClean system P3
 I001 - 2619861 - Cleaner pump unit 230V table-top appliances P3
 I002 - 5018028 - Cleaner pump CONVOClean system P3 / OES mini
 I003 - 2619860 - Pressure switch CONVOClean system 6.10/6.20/10.10/10.20/OES mini
 I004 - 6014000 - 3-way pipe connector CONVOClean system P3
 I005 - 6014001 - 2-way pipe connector CONVOClean system cleaner P3
 I006 - 6005414 - Right-angle pipe connector 6mm
 I007 - 2619150 - Partition screw connection CONVOClean system P3 / OES mini, 2 off
 I008 - 2617594 - Suction pipe, ConvoClean with suction lance P3
 I009 - 2617598 - Suction pipe ,ConvoCare with suction lance P3
 I010 - 3007061 - Dirt filter for CONVOCare P3 / OES mini

I011 - 7012302 - EPDM pipe 6x2mm
I012 - 2611010 - Sprinkler nozzle, CONVOClean system P3 / OES mini
I013 - 2611184 - Armature nozzle, CONVOClean system P3
I014 - 2623282 - Set of cleaning nozzles, CONVOClean system P3 / OES mini
I015 - 6005413 - Water nozzle, CONVOClean system P3
I016 - 2625117 - Screw connection for pipes on cover (sealing washer and nut)
I017 - 2016018 - Cleaner pipe, CONVOClean system 6.10/10.10 P3
I018 - 2016020 - Water pipe, CONVOClean system 6.10/10.10/20.10 P3
I028 - 6006122 - Hose clip 7-11mm
I029 - 8009058 - Wire clip 10mm
I032 - 6019100 - Adhesive label, cleaner connection P3
I034 - 8019010 - Wire clip 16 mm
I036 - 6019109 - CONVOClean adhesive label
I037 - 6019111 - CONVOCare adhesive label
K002 - 5018027K - Fan safety grill 120 mm, with fixing accessories
L004 - 7004008 - Loctite type 243e threadlocker
L005 - 7004013 - Threadlocker
L006 - 7004020 - Silicon adhesive E 43
L007 - 7014005 - Copper paste
L009 - 7014004 - Aluminum insulating adhesive tape P3
L010 - 7015200 - Fan removal tool P3 with accessories
L011 - 7004018 - OKS 1120 lubricant

| | | |
|------|------------|--|
| A001 | - 2117411 | - Seitenwand links 6.10 P3 |
| A002 | - 2117451 | - Rückwand OGB 6.10 |
| A003 | - 2115441 | - Frontteil 6.10 P3 |
| A004 | - 2114632 | - Eckteil hinten links 6.10 P3 |
| A005 | - 2118223 | - Decke OGB 6.10 |
| A006 | - 2119229 | - Abdeckung Kondensator OGB 6.10/10.10/20.10 P3 |
| A007 | - 2618779 | - Set Glühlampe 230V 25W mit Dichtung |
| A008 | - 2618780 | - Set Garraumleuchte komplett mit Reflektor |
| A009 | - 7011001 | - Hygienesteckdichtung Tür 6.10 P3 |
| A011 | - 2217000 | - Einhängegerüst 6.10 links für CONVOClean system P3 |
| A012 | - 2217061 | - Einhängegerüst 6.10 rechts für CONVOClean system P3 |
| A013 | - 5013001 | - Mehrpunkt-Kerntemperaturfühler mit Verschraubung P3 |
| A014 | - 6015026 | - Dichtung für Kerntemperaturfühler P3 |
| A016 | - 2608962 | - Unterdrucksicherung P3 |
| A017 | - 2216090 | - Zusatzlüfter P3 mit Montagmaterial |
| A018 | - 5018040 | - Zusatzlüfter P3 |
| A019 | - 6004044 | - Gerätefuß für P3 Tischgeräte, höhenverstellbar |
| A029 | - 7003066 | - Dichtungsband 9x3mm |
| A030 | - 5016001K | - Kabelverschraubung M25 |
| A031 | - 6005068 | - Dichtung 44x5 mm für Unterdrucksicherung P3 |
| A032 | - 6005427 | - Membrantülle Durchm. 83 (DG 60) |
| B001 | - 2520406 | - Tür 6.10 kompl. P3 |
| B002 | - 2518479 | - Innentür 6.10 P3 mit Montagmaterial |
| B003 | - 2525040 | - Türgriff P3 Hygienisch Antibakteriell m.Montageteile |
| B004 | - 6015248 | - Verschlussklammer Innentür Tischgeräte P3 |
| B005 | - 2014005 | - Silikonfeder Tür P3 |
| B006 | - 6015200 | - Abstandhalter Tür P3 |
| B007 | - 2517292 | - Set Innentürscharnier oben und unten P3 mit Montagmaterial |
| B009 | - 2014007 | - Scharnierplatte für Türoberseite P3 |
| B010 | - 2014003 | - Scharnier-Rastplatte für Türunterseite P3 |
| B011 | - 2616469 | - Türtropfwanne 6.10/10.10 P3 |
| B012 | - 2614800 | - Schlittenplatte Verschwindetür 6.10 kompl. P3 |
| B013 | - 2123270 | - Verkleidung Schlittenplatte Verschwindetür 6.10 P3 |
| B014 | - 2619152 | - Rasterklotz Schlittenplatte Verschwindetür P3 mit Montagmaterial |
| B015 | - 2523667 | - Scharnierarm oben und unten P3 mit Montagmaterial |
| B016 | - 2619141 | - Führungsrolle Verschwindetür P3 mit Montagmaterial |
| B017 | - 2619156 | - Sicherungsklotz Verschwindetür P3 mit Montagmaterial |
| B018 | - 2619153 | - Türanschlag Verschwindetür P3 mit Montagmaterial |
| B019 | - 2619154 | - Stützleiste Verschwindetür P3 mit Montagmaterial |
| B020 | - 2619138 | - Führungsschiene Verschwindetür 6.10/10.10 P3 mit Montagmaterial |
| B021 | - 2619155 | - Führungsleiste Verschwindetür P3 mit Montagmaterial |
| B022 | - 2117280 | - Anschlagpuffer Verschwindetür P3 mit Montagmaterial |
| B023 | - 2614740 | - Führungsbügel Tür Tischgeräte P3 |
| B024 | - 2216070 | - Türkloben P3 mit Montagmaterial |
| B025 | - 2518798 | - Türkontaktschalter OES mini |
| B030 | - 2619142 | - Schlittenplatte 6.10 P3 mit Führungsschiene und Montagmaterial |
| B033 | - 6002056 | - Abdeckkappe für Drehhebelverschluß |
| C001 | - 5019406 | - Steuerung 5010 Steuermodul SM P3 |
| C002 | - 5019402 | - Steuerung 5010 Gasmodul GM P3 |
| C004 | - 2618785 | - Montagezubehör für Steuerung P2 P3 OES mini |
| C005 | - 5009304 | - Verbindungskabel Steuermodul - Bedienmodul P2 P3 |
| C005 | - 5019322 | - Datenkabel Bedienmodul easyTOUCH - Steuermodul P3 |
| C006 | - 2619973 | - Nachrüstset Versorgungsmodul (P2, P3, OES mini) |
| C007 | - 2126353 | - Steuerung 7010 Bedienmodul easyTOUCH LED P3 mit OES mini |
| C009 | - 2126350 | - Frontblende OEB/OGB easyTOUCH LED "CONVOTHERM" |
| C013 | - 6016521 | - Verschlussstopfen für USB-Anschluss easyTOUCH |
| C015 | - 2119918 | - Hauptschalter easyTOUCH mit Montagmaterial |
| C017 | - 5019323 | - Versorgungskabel für Bedienmodul easyTOUCH |
| C018 | - 5019327 | - Lautsprecher für Steuerung 7000 easyTOUCH |
| C019 | - 4008099 | - Speicher-Karte für Bedienmodul easyTOUCH |
| C020 | - 2119921 | - USB-Anschluss für Steuerung 7000 easyTOUCH mit Montagmaterial |
| C021 | - 8014000 | - Abstandsbolzen M3 20 mm |
| D001 | - 2317310 | - Dampferzeuger OGB 6.10 kompl. ohne Brenneinheit mit Montagmaterial |
| D002 | - 6015023 | - Flachdichtung für Tauchheizkörper P3 |
| D005 | - 5008079K | - Dampferzeuger-Entleerungspumpe 200/240V mit Montagmaterial |
| D006 | - 6015100K | - Ablaufwinkel für Dampferzeuger P3 mit Montagmaterial |
| D007 | - 7012018 | - Dampferzeuger-Ablaufschlauch P3 |
| D008 | - 6016500 | - Rücksaugesicherung für Dampferzeuger P3 |
| D009 | - 7012086 | - Schlauch 1/2" für Dampferzeuger-Befüllung P3 |
| D010 | - 5019000K | - Doppelniveausonde mit Montagmaterial P3 |
| D011 | - 6015040 | - Dichtung für Doppelniveausonde P3 |
| D012 | - 6006092 | - Sechskantmutter R1 1/4" für Dampferzeugerverschraubung |
| D013 | - 5016003 | - STB-Thermoelementfühler für Gas Dampferzeuger P3 |
| D014 | - 5019004 | - Sicherheitstemperaturbegrenzer für Gas-Dampferzeuger P3 (135°C) |

D015 - 2314968K - Inspektionsflansch für Gas-Dampferzeuger P3 mit Montagematerial
 D016 - 2314974K - Inspektionsflansch für Gas-Dampferzeuger mit GewindeP3 inkl.Montagematerial
 D017 - 2012207 - Abgasstutzen Dampferzeuger OGB 6.10 isoliert
 D024 - 6005025 - Flachdichtung 42,5x54x2 (1 1/4") für Dampferzeuger P3
 D025 - 8009057 - Drahtschelle 36 mm
 E001 - 2617283 - Motor 380/415V 6.10/6.20/10.10/20.10 P3 mit reduzierter Lüfterleistung
 E002 - 2617294 - Set Motorbefestigung und Lüfterradbefestigung P3
 E003 - 2617295 - Set Motorwellendichtung P3
 E004 - 2625109 - Set Motorbolzen P3
 E005 - 2619957 - Lüfterrad Durchm. 280 mm P3
 E006 - 2617293 - Set Lüfterradbefestigung P3
 E011 - 5001041 - Garraum-Sicherheitstemperaturbegrenzer (340°C)
 E012 - 5016014K - Thermoelementfühler P3 / OES mini
 E013 - 2617315 - Heißluft-Wärmetauscher OGS/OGB6.10 ohne Brenneinheit, mit Montagematerial
 E014 - 2012200 - Abgasstutzen Heißluft OGS/OGB 6.10 isoliert
 F001 - 2625981 - Brenneinheit Heißluft OGS/OGB 6.10/6.20 kompl. mit Montagematerial
 F002 - 5018000 - Brennergebläse RG128 230V P3
 F003 - 6016000 - Venturi 40kW P3
 F004 - 6016010 - Gasventil 230V P3
 F005 - 6016021 - Feuerungsautomat 230V (S4575B 3066)
 F006 - 2010014 - Brenner Ø50M150 20kW P3
 F007 - 2617320 - Überwachungselektrode OGS/OGB mit Montagematerial
 F008 - 2617321 - Glühzündelektrode kurz OGS/OGB mit Montagematerial
 F009 - 2617323 - Schauglas Brenner P3 mit Montagematerial
 F010 - 2625120 - Kabeldurchführung Brenner mit Dichtung OGS/OGB
 F011 - 2625121 - Anschlusswinkel Gasschlauch P3 mit Montagematerial
 F012 - 2616516 - Gasschlauch 580mm lang P3 mit Montagematerial
 F013 - 2618161 - Dichtungssatz für Brenner 12-20kW P3
 F014 - 2615313 - Gas-Umrüstset auf Butan-Propan G30/G31 P3
 F014 - 2615312 - Gas-Umrüstset auf Erdgas E/G20 P3
 F014 - 2615315 - Gas-Umrüstset auf LPG P (Japan) P3
 F015 - 2618140K - Steckerschutzfolie für Feuerungsautomat P3 mit Montagebügel
 F016 - 2010067 - Doppelgasanschluß R3/4" P3
 F017 - 2615346 - Luftansaugstrecke Brenner gerade P3
 F018 - 2625984 - Brenneinheit Dampferzeuger OGB 6.10/6.20/10.10 kompl. mit Montagematerial
 G001 - 5001059 - Einfachmagnetventil gerade 220/240V
 G001 - 5011000 - Dreifachmagnetventil gerade 220/240V
 G002 - 7002033 - Heisswasserschlauch 3/8"
 G003 - 5011003 - T-Verbindungsstück WA 2x3/4" 1x1/2" P3
 G004 - 2013002 - Entfeuchtungsdüse P3
 G005 - 2216796 - Entfeuchtungswannen-Abdeckung P3
 G006 - 6015215 - Winkel-Schlauchanschluss 3/8" m. Dichtung
 G007 - 2016106 - Rohrleitung für Handbrauseanschluss 6.10 P3
 G008 - 6014003 - Eckventil für Handbrause 1/2" P3
 G009 - 6014006 - Drehkappe für Eckventil 1/2" P3
 G010 - 7012072 - Handbrauseschlauch 6.10 / 6.20 / 12.20 / OES 6.10 mini / 10.10 mini
 G011 - 6011010 - Handbrause Tischgeräte P3
 G012 - 6011012 - Aufhängung Handbrause Tischgeräte P3
 G015 - 6006086 - Schlauchbinder 12-22mm
 G016 - 6006087 - Schlauchbinder 25-40mm
 G017 - 6006089 - Schlauchbinder 40-60mm
 G043 - 6015030 - Dichtung Kamin HL 6.10/6.20/10.10/20.10 P3
 H001 - 2012115K - Kondensator Tischgeräte P3 mit Montagematerial
 H002 - 6015000 - Dichtung Kondensator P3
 H003 - 2425112 - Befestigungsmaterial für Kondensator P3
 H004 - 7012300K - Ablaufschlauch für Gerätetropfwanne 6.10/10.10 P3
 H005 - 2018006 - Gerätetropfwanne m. Ablauf 12mm 6.10/10.10 P3
 H006 - 2016007K - Bypassmeßrohr P3 mit Montagematerial
 H007 - 2016000K - Bypassleitung 6.10/10.10 P3 mit Montagematerial
 H008 - 2217281 - Bypassabdeckung P3 mit Montagematerial
 H009 - 2012103 - Ablöschdüse Kondensator P3
 H010 - 7012010 - Abluftschlauch 6.10 P3
 H011 - 2124580K - Abluftstutzen OEB/OGB 6.10/6.20/10.10/20 mit Montagematerial
 H015 - 4007087 - Kabelbinder hitzebeständig, 140x3,6mm
 I001 - 2114508 - Bodenabdeckung für Geräte ohne CONVOClean system P3
 I001 - 2619861 - Reinigerpumpeneinheit 230V Tischgeräte P3
 I002 - 5018028 - Reinigerpumpe CONVOClean system P3 / OES mini
 I003 - 2619860 - Druckschalter CONVOClean system 6.10/6.20/10.10/20/OES mini
 I004 - 6014000 - Schlauchanschluss CONVOClean system 3fach P3
 I005 - 6014001 - Schlauchanschluss CONVOClean system Reiniger 2fach P3
 I006 - 6005414 - Winkel-Schlauchverbindungsstutzen 6mm
 I007 - 2619150 - Schottverschraubung CONVOClean system P3 / OES mini, 2 Stück
 I008 - 2617594 - Saugschlauch ConvoClean mit Ansauglanze P3
 I009 - 2617598 - Saugschlauch ConvoCare mit Ansauglanze P3
 I010 - 3007061 - Schmutzsieb für CONVOCare P3 / OES mini

I011 - 7012302 - EPDM-Schlauch 6x2mm
I012 - 2611010 - Sprinklerdüse CONVOClean system P3 / OES mini
I013 - 2611184 - Rotordüse CONVOClean system P3
I014 - 2623282 - Set Reinigerdüsen CONVOClean system P3 / OES mini
I015 - 6005413 - Wasserdüse CONVOClean system P3
I016 - 2625117 - Verschraubung für Rohrleitungen an Decke (Dichtung und Mutter)
I017 - 2016018 - Rohrleitung Reiniger CONVOClean system 6.10/10.10 P3
I018 - 2016020 - Rohrleitung Wasser CONVOClean system 6.10/10.10/20.10 P3
I028 - 6006122 - Schlauchbinder 7-11mm
I029 - 8009058 - Drahtschelle 10mm
I032 - 6019100 - Aufkleber Reinigeranschluss P3
I034 - 8019010 - Drahtschelle 16 mm
I036 - 6019109 - Kennzeichnungsaufkleber CONVOClean
I037 - 6019111 - Kennzeichnungsaufkleber CONVOCare
K002 - 5018027K - Lüfterschutzgitter 120 mm mit Montagematerial
L004 - 7004008 - Sicherungsmittel Loctite Typ 243e
L005 - 7004013 - Schraubensicherungslack
L006 - 7004020 - Silikonkleber E 43
L007 - 7014005 - Kupferpaste
L009 - 7014004 - Alu-Klebeband für Isolierung P3
L010 - 7015200 - Abzieher für Lüfterrad P3 mit Zubehör
L011 - 7004018 - Schmiermittel OKS 1120

| | | |
|------|------------|--|
| A001 | - 2117411 | - Paroi latérale gauche 6.10 P3 |
| A002 | - 2117451 | - Panneau arrière OGB 6.10 |
| A003 | - 2115441 | - Partie avant 06.10 P3 |
| A004 | - 2114632 | - Angle arrière gauche 6.10 P3 |
| A005 | - 2118223 | - Plafond OGB 6.10 |
| A006 | - 2119229 | - Capot condenseur OGB 6.10/10.10/20.10 P3 |
| A007 | - 2618779 | - Kit lampe à incandescence 230V 25W avec joint |
| A008 | - 2618780 | - Kit voyant d'enceinte de cuisson complet avec réflecteur |
| A009 | - 7011001 | - Joint d'étanchéité emboîté porte 6.10 P3 |
| A011 | - 2217000 | - Glissière 6.10 gauche pour système CONVOClean P3 |
| A012 | - 2217061 | - Glissière 6.10 droite pour système CONVOClean P3 |
| A013 | - 5013001 | - Capteur de température à cœur multipoint avec presse-étoupe P3 |
| A014 | - 6015026 | - Joint pour capteur de température à cœur P3 |
| A016 | - 2608962 | - Limiteur de dépression P3 |
| A017 | - 2216090 | - Ventilateur d'appoint P3 avec sujétions de montage |
| A018 | - 5018040 | - Ventilateur d'appoint P3 |
| A019 | - 6004044 | - Pied d'appareil pour appareils de table P3, réglable en hauteur |
| A029 | - 7003066 | - Joint-ruban 9x3 mm |
| A030 | - 5016001K | - Presse-étoupe M25 |
| A031 | - 6005068 | - Joint 44x5 mm pour limiteur de dépression P3 |
| A032 | - 6005427 | - Diam. passe-tube 83 (DG 60) |
| B001 | - 2520406 | - Porte 6.10 compl. P3 |
| B002 | - 2518479 | - Porte intérieure 6.10 P3 avec sujétions de montage |
| B003 | - 2525040 | - Poignée de porte P3 avec sujétions de montage |
| B004 | - 6015248 | - Loquet de fermeture porte intérieure appareils de table P3 |
| B005 | - 2014005 | - Amortisseur silicone porte P3 |
| B006 | - 6015200 | - Ecarteur porte P3 |
| B007 | - 2517292 | - Kit charnière porte int.en haut et en bas P3 avec sujétions de montage |
| B009 | - 2014007 | - Plaque de charnière pour face supérieure porte P3 |
| B010 | - 2014003 | - Plaque de charnière à encliqueter pour face inférieure porte P3 |
| B011 | - 2616469 | - Egouttoir de porte 6.10/10.10 P3 |
| B012 | - 2614800 | - Plaque glissière porte escamotable 6.10 compl. P3 |
| B013 | - 2123270 | - Habillage plaque glissière porte escamotable 6.10 P3 |
| B014 | - 2619152 | - Cale d'encliquetage plaque glissière porte escamot.P3 +sujétions de montage |
| B015 | - 2523667 | - Bras de charnière haut et bas P3 avec sujétions de montage |
| B016 | - 2619141 | - Galet de guidage porte escamotable P3 avec sujétions de montage |
| B017 | - 2619156 | - Cale de sécurité Porte escamotable P3 avec sujétions de montage |
| B018 | - 2619153 | - Butée de porte Porte escamotable P3 avec sujétions de montage |
| B019 | - 2619154 | - Baguette d'appui Porte escamotable P3 avec sujétions de montage |
| B020 | - 2619138 | - Rail de guidage Porte escamotable 6.10/10.10 P3 avec sujétions de montage |
| B021 | - 2619155 | - Barrette de guidage Porte escamotable P3 avec sujétions de montage |
| B022 | - 2117280 | - Tampon de butée Porte escamotable P3 avec sujétions de montage |
| B023 | - 2614740 | - Etrier de guidage Porte Appareils de table P3 |
| B024 | - 2216070 | - Gâche de porte P3 avec sujétions de montage |
| B025 | - 2518798 | - Contact porte OES mini |
| B030 | - 2619142 | - plaque glissière 6.10 P3 avec rail de guidage et sujétions de mont. |
| B033 | - 6002056 | - Chape pour poignée béquille |
| C001 | - 5019406 | - Commande 5010 Module de commande SM P3 |
| C002 | - 5019402 | - Commande 5010 Module à gaz GM P3 |
| C004 | - 2618785 | - Accessoires de montage pour commande P2 P3 OES mini |
| C005 | - 5009304 | - Câble de liaison Module de commande - Module de service P2 P3 |
| C005 | - 5019322 | - Câble de données Module de service easyTOUCH - Module de commande P3 |
| C006 | - 2619973 | - Kit d'adaptation Module d'alimentation (P2, P3, OES mini) |
| C007 | - 2126353 | - Commande 7010 Module de service easyTOUCH LED P3 et OES mini |
| C009 | - 2126350 | - Face avant OEB/OGB easyTOUCH LED "CONVOTHERM" |
| C013 | - 6016521 | - Clapet de fermeture pour connexion USB easyTOUCH |
| C015 | - 2119918 | - Interrupteur général easyTOUCH avec accessoires de montage |
| C017 | - 5019323 | - Câble d'alimentation pour module de service easyTOUCH |
| C018 | - 5019327 | - Haut-parleur pour commande 7000 easyTOUCH |
| C019 | - 4008099 | - Carte mémoire pour module de service easyTOUCH |
| C020 | - 2119921 | - Connexion USB pour commande 7000 easyTOUCH avec accessoires de montage |
| C021 | - 8014000 | - Boulon entretoise M3 20 mm |
| D001 | - 2317310 | - Générateurvapeur OGB6.10compl. sans unité brûleur, accessoires de montage |
| D002 | - 6015023 | - Joint plat pour élément chauffant plongeur P3 |
| D005 | - 5008079K | - Pompe de vidange du générateur de vap.200/240V avec accessoires de montage |
| D006 | - 6015100K | - Cornière d'écoulement pour générateur de vapeur P3 avec accessoires de mont. |
| D007 | - 7012018 | - Tuyau d'écoulement pour générateur de vapeur P3 |
| D008 | - 6016500 | - Sécurité anti-retour d'eau par siphonage, pour générateur de vapeur P3 |
| D009 | - 7012086 | - Tuyau 1/2" pour remplissage du générateur de vapeur P3 |
| D010 | - 5019000K | - Capteur double niveau avec accessoires de montage P3 |
| D011 | - 6015040 | - Joint pour capteur double niveau P3 |
| D012 | - 6006092 | - Ecrou hexagonal R1 1/4" pour raccord du générateur de vapeur |
| D013 | - 5016003 | - Capteur thermocouple LTS pour générateur de vapeur GAS P3 |
| D014 | - 5019004 | - Limiteur de temp. de sécurité pour générateur de vapeur à gaz P3 (135 °C) |

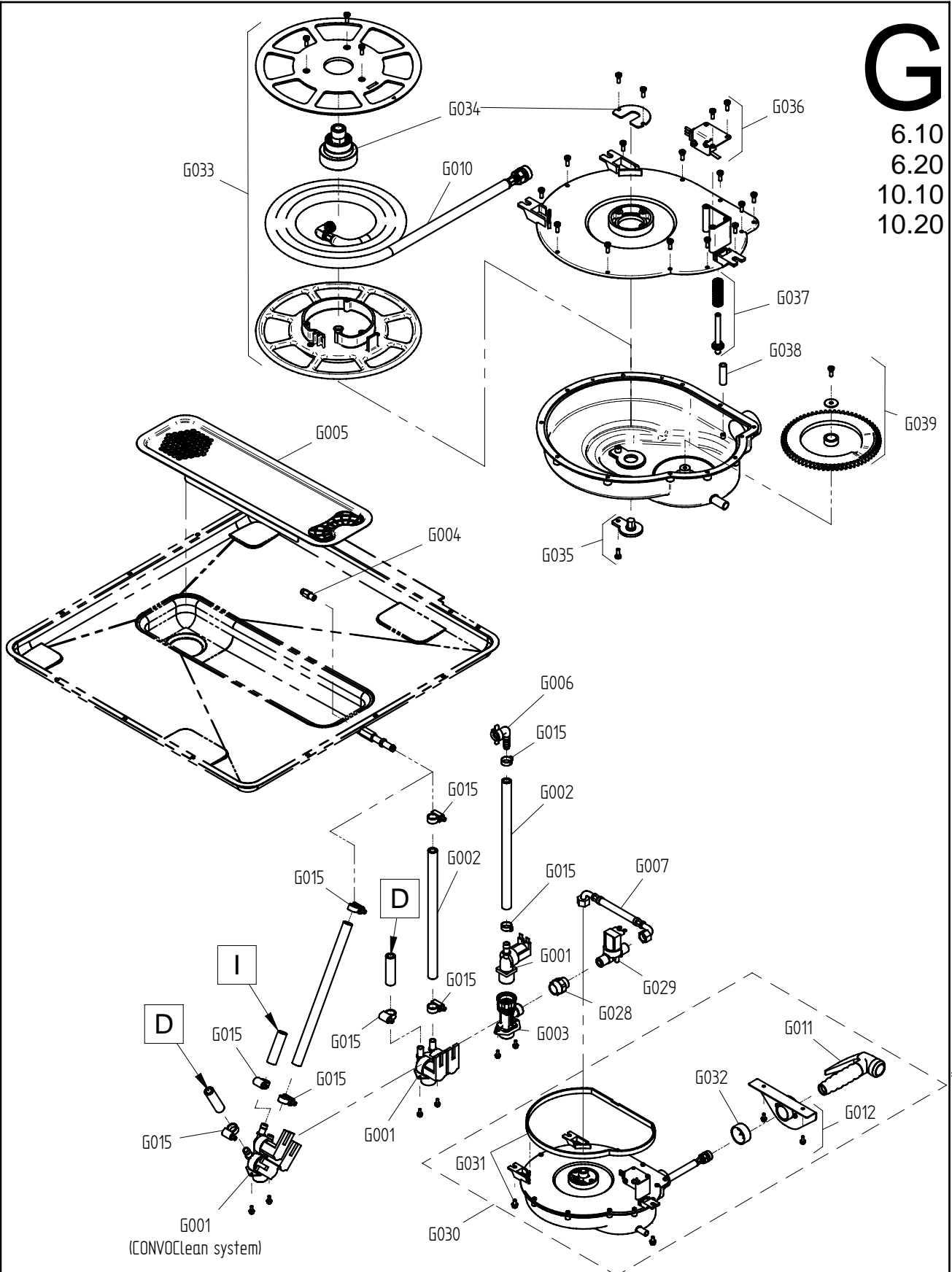
D015 - 2314968K - Bride de contrôle p. générateur de vap.à gaz P3 avec access. de montage
 D016 - 2314974K - Bride de contrôle p.générateur de vap.à gaz +filetage P3 +access.montage
 D017 - 2012207 - Conduite d'échappement générateur de vapeur OGB 6.10 isolé
 D024 - 6005025 - Joint plat 42,5x54x2 (1 1/4") pour générateur de vapeur P3
 D025 - 8009057 - Collier de câble 36 mm
 E001 - 2617283 - Moteur380/415V6.10/6.20/10.10/20.10P3 avec puissance de ventilation réduite
 E002 - 2617294 - Kit fixation moteur et fixation ventilateur P3
 E003 - 2617295 - Kit garniture d'arbre moteur P3
 E004 - 2625109 - Jeu de boulons moteur P3
 E005 - 2619957 - Diam. ventilateur 280 mm P3
 E006 - 2617293 - Kit fixation ventilateur P3
 E011 - 5001041 - Limiteur de température de sécurité de l'enceinte de cuisson (340°C)
 E012 - 5016014K - Capteur thermocouple P3 / OES mini
 E013 - 2617315 - Echangeur thermiqueairpulséOGS/OGB6.10 ss unité brûleur,+access. de montage
 E014 - 2012200 - Conduite d'échappement d'air pulsé OGS/OGB 6.10 isolée
 F001 - 2625981 - Unité brûleur air pulsé OGS/OGB 6.10/6.20 compl. + accessoires de montage
 F002 - 5018000 - Ventilateur brûleur RG128 230V P3
 F003 - 6016000 - Venturi 40 kW P3
 F004 - 6016010 - Vanne gaz 230V P3
 F005 - 6016021 - Automatisation d'allumage 230V (S4575B 3066)
 F006 - 2010014 - Brûleur Ø50M150 20 kW P3
 F007 - 2617320 - Electrode de surveillance OGS/OGB avec accessoires de montage
 F008 - 2617321 - Electrode d'auto-allumage courte OGS/OGB avec accessoires de montage
 F009 - 2617323 - Voyant brûleur P3 avec accessoires de montage
 F010 - 2625120 - Passe-fil brûleur avec joint OGS/OGB
 F011 - 2625121 - Coude de raccordement tuyau gaz P3 avec accessoires de montage
 F012 - 2616516 - Tuyau de gaz longueur 580 mm P3 avec accessoires de montage
 F013 - 2618161 - Garniture d'étanchéité pour brûleur 12-20 kW P3
 F014 - 2615313 - Kit d'adaptation gaz à butane-propane G30/G31 P3
 F014 - 2615312 - Kit d'adaptation gaz à gaz naturel E/G20 P3
 F014 - 2615315 - Kit d'adaptation gaz à GPL P (Japon) P3
 F015 - 2618140K - Film de protec.de connecteur p.automatisme d'allumageP3 +étrier de montage
 F016 - 2010067 - Raccordement gaz double R3/4" P3
 F017 - 2615346 - Tube d'admission d'air brûleur droit P3
 F018 - 2625984 - Unité brûleur générateur de vap.OGB6.10/6.20/10.10compl. + access.de mont.
 G001 - 5011000 - Electrovanne triple droite 220/240V
 G001 - 5001059 - Electrovanne simple droite 220/240V
 G002 - 7002033 - Tuyau d'eau chaude 3/8"
 G003 - 5011003 - Raccord en T alimentation eau 2x3/4" 1x1/2" P3
 G004 - 2013002 - Buse de déshumidification P3
 G005 - 2216796 - Couvercle pour bacs de déshumidification P3
 G006 - 6015215 - Raccord coudé pour tuyau 3/8" avec joint
 G007 - 2016106 - Tuyau pour raccordement douchette 6.10 P3
 G008 - 6014003 - Vanne d'angle pour douchette 1/2" P3
 G009 - 6014006 - Capot pivotant pour vanne d'angle 1/2" P3
 G010 - 7012072 - Tuyau pour douchette 6.10 / 6.20 / 12.20 / OES 6.10 mini / 10.10 mini
 G011 - 6011010 - Douchette appareils de table P3
 G012 - 6011012 - Accroche douchette appareils de table P3
 G015 - 6006086 - Collier de tube 12-22 mm
 G016 - 6006087 - Collier de tube 25-40 mm
 G017 - 6006089 - Collier de tube 40-60 mm
 G043 - 6015030 - Joint cheminée HL 6.10/6.20/10.10/20.10 P3
 H001 - 2012115K - Condenseur appareils de table P3 avec accessoires de montage
 H002 - 6015000 - Joint condenseur P3
 H003 - 2425112 - Matériel de fixation pour condenseur P3
 H004 - 7012300K - Tuyau d'écoulement pour égouttoir de l'appareil 6.10/10.10 P3
 H005 - 2018006 - Egouttoir de l'appareil avec écoulement 12mm 6.10/10.10 P3
 H006 - 2016007K - Tube de mesurage en dérivation P3 avec accessoires de montage
 H007 - 2016000K - Ligne de dérivation 6.10/10.10 P3 avec accessoires de montage
 H008 - 2217281 - Capot pour dérivation P3 avec accessoires de montage
 H009 - 2012103 - Buse d'extinction condenseur P3
 H010 - 7012010 - Tuyau d'extraction d'air 6.10 P3
 H011 - 2124580K - Manchon d'évacuation d'airOEB/OGB6.10/6.20/10.10/20 avec access.de mont.
 H015 - 4007087 - Collier de câble résistant à la chaleur, 140x3,6mm
 I001 - 2114508 - Couvre-sol pour appareils sans système CONVOClean P3
 I001 - 2619861 - Unité pompe à nettoyant 230V appareils de table P3
 I002 - 5018028 - Pompe à nettoyant système CONVOClean P3 / OES mini
 I003 - 2619860 - Pressostat système CONVOClean 6.10/6.20/10.10/20/OES mini
 I004 - 6014000 - Raccord pour tuyau système CONVOClean triple P3
 I005 - 6014001 - Raccord pour tuyau Nettoyant système CONVOClean double P3
 I006 - 6005414 - Manchon de raccordement de tube, coudé 6 mm
 I007 - 2619150 - Traversée de cloison système CONVOClean P3 / OES mini, 2 unités
 I008 - 2617594 - Tuyau d'aspiration ConvoClean avec lance d'aspiration P3
 I009 - 2617598 - Tuyau d'aspiration ConvoClean avec lance d'aspiration P3
 I010 - 3007061 - Crépine à impuretés pour CONVOCare P3 / OES mini

I011 - 7012302 - Tuyau EPDM 6x2 mm
I012 - 2611010 - Bec d'arroseur système CONVOClean P3 / OES mini
I013 - 2611184 - Buse du rotor système CONVOClean P3
I014 - 2623282 - Kit buses de nettoyage système CONVOClean P3 / OES mini
I015 - 6005413 - Buse à eau système CONVOClean P3
I016 - 2625117 - Raccord pour tuyaux au plafond (joint et écrou)
I017 - 2016018 - Tuyau de nettoyeur système CONVOClean 6.10/10.10 P3
I018 - 2016020 - Tuyau d'eau système CONVOClean 6.10/10.10/20.10 P3
I028 - 6006122 - Collier pour tuyau 7-11 mm
I029 - 8009058 - Collier de câble 10 mm
I032 - 6019100 - Autocollant raccordement pour nettoyeur P3
I034 - 8019010 - Collier de câble 16 mm
I036 - 6019109 - Autocollant d'identification CONVOClean
I037 - 6019111 - Autocollant d'identification CONVOCare
K002 - 5018027K - Grille de protection de ventilateur 120 mm avec matériel de fixation
L004 - 7004008 - Produit de protection Loctite Type 243e
L005 - 7004013 - Laque de protection des vis
L006 - 7004020 - Colle silicone E 43
L007 - 7014005 - Pâte à cuivre
L009 - 7014004 - Ruban adhésif alu pour isolation P3
L010 - 7015200 - Arrache-moyeux pour roue de ventilateur P3 avec accessoires
L011 - 7004018 - Lubrifiant OKS 1120

Ersatzteilzeichnung Wasserversorgung Tischgeräte P3 Spare part drawing water supply tabletop units P3

ETZ G - WV 1234 RHB P3 1 / 1

G
6.10
6.20
10.10
10.20



| | |
|------------------------------------|--|
| gültig ab / valid from: 01.02.2010 | Vorgängerversion / previous version: 9825301 |
| gültig bis / valid to: | Nachfolgeversion / follow-up version: |

Enodis
Talstraße 35
D- 82436 Eglfing | Germany

Tel. +49(0)8847/67-0
Fax +49(0)8847/414
info@hotairsteamer.com



Art. Nr. 9825324_00 | 3.2.2010 | Änderungen vorbehalten! Changes excepted!

English | Spare part list for model number 9825324

Deutsch | Ersatzteilliste für Artikelnummer 9825324

| Pos. | Item no. | name | Pos. | Art.Nr. | Bezeichnung |
|------|----------|---|------|----------|--|
| G001 | 5001080 | Dual solenoid valve, straight 220/240V | G001 | 5001059 | Einfachmagnetventil gerade 220/240V |
| G001 | 5011000 | Triple solenoid valve, straight 220/240V | G001 | 5011000 | Dreifachmagnetventil gerade 220/240V |
| G001 | 5001059 | Single solenoid valve, straight 220/240V | G001 | 5001080 | Doppelmagnetventil gerade 220/240V |
| G002 | 7002033 | Hot water pipe 3/8" | G002 | 7002033 | Heisswasserschlauch 3/8" |
| G003 | 5011003 | Water supply T-connector 2x3/4" 1x1/2" P3 | G003 | 5011003 | T-Verbindungsstück WA 2x3/4" 1x1/2" P3 |
| G004 | 2013002 | Dehumidifier nozzle P3 | G004 | 2013002 | Entfeuchtungsdüse P3 |
| G005 | 2216796 | Demoisturising tray cover P3 | G005 | 2216796 | Entfeuchtungswannen-Abdeckung P3 |
| G006 | 6015215 | Right-angle pipe connector 3/8" with washer | G006 | 6015215 | Winkel-Schlauchanschluss 3/8" m. Dichtung |
| G007 | 7012307 | Connecting pipe for retractable hand shower 6.10/6.20/10.10/10.20 P3 | G007 | 7012307 | Anschlusschlauch für Rollhandbrause 6.10/6.20/10.10/10.20 P3 |
| G010 | 6011019K | Hand-shower hose for retractable hand shower P3 | G010 | 6011019K | Brauseschlauch für Rollhandbrause P3 |
| G011 | 6011005 | Hand-shower for retractable hand shower P3 | G011 | 6011005 | Handbrause für Rollhandbrause P3 |
| G012 | 2625196 | Hand-shower holder for retractable hand shower 6.10/6.20/10.10/10.20 P3 | G012 | 2625196 | Handbrausehalter für Rollhandbrause 6.10/6.20/10.10/10.20 P3 |
| G015 | 6006086 | Hose clip 12-22mm | G015 | 6006086 | Schlauchbinder 12-22mm |
| G028 | 6015420 | Reducing socket 1/2"-3/8" for retractable hand shower | G028 | 6015420 | Reduziermuffe 1/2"-3/8" für Rollhandbrause P3 |
| G029 | 5011013 | Single solenoid valve 220/240V 3/8"-3/8" for retractable hand shower P3 | G029 | 5011013 | Einfachmagnetventil 220/240V 3/8"-3/8" für Rollhandbrause P3 |
| G030 | 6011028K | Retractable hand shower 6.10/6.20/10.10/10.20 P3 incl. fixing accessories | G030 | 6011028K | Rollhandbrause 6.10/6.20/10.10/10.20 P3 mit Montagematerial |
| G031 | 2625192 | Fixing accessories for retractable hand shower 6.10/6.20/10.10/10.20 P3 | G031 | 2625192 | Montageset für Rollhandbrause 6.10/6.20/10.10/10.20 kpl P3 |
| G032 | 6013063 | Protective cap for retractable hand shower 6.10/6.20/10.10/10.20 P3 | G032 | 6013063 | Schutzkappe für Rollhandbrause 6.10/6.20/10.10/10.20 P3 |
| G033 | 2625194 | Hose reel for retractable hand shower P3 incl. fixing accessories | G033 | 2625194 | Schlauchtrommel kpl. für Rollhandbrause P3 mit Montagematerial |
| G034 | 6011017K | Rotor for retractable hand shower P3 incl. fixing accessories | G034 | 6011017K | Drehdurchführung für Rollhandbrause P3 mit Montagematerial |
| G035 | 6011037K | Spring rewinder for retractable hand shower P3 | G035 | 6011037K | Federspanner für Rollhandbrause P3 |
| G036 | 2625195 | Micro switch for retractable hand shower P3 | G036 | 2625195 | Mikroschalter für Rollhandbrause P3 |
| G037 | 6011038K | Switch plunger for retractable hand shower P3 | G037 | 6011038K | Schaltstößel für Rollhandbrause P3 |
| G038 | 6011041 | Guide roller for retractable hand shower P3 | G038 | 6011041 | Umlenkrolle für Rollhandbrause P3 |
| G039 | 6011035K | Switch wafer for retractable hand shower P3 | G039 | 6011035K | Schaltzscheibe für Rollhandbrause P3 |
| G040 | 7012311K | Downpipe for retractable hand shower P3 | G040 | 7012311K | Ablaufschlauch für Rollhandbrause P3 |

Druckdatum/print date 24-2-2010

Convotherm
Talstr. 35
D-82436 Egfling | Germany

Tel: +49(0)8847/67-0
Fax: +49(0)8847/414
info@hotairsteamer.com

Espanol | lista de piezas de recambio del N° model 9825324

| Pos. | Item no. | denominación |
|------|----------|--|
| G001 | 5001059 | Válvula electromagnética sencilla recta 220/240 V |
| G001 | 5011000 | Válvula electromagnética triple recta 220/240 V |
| G001 | 5001080 | Válvula electromagnética doble recta 220/240 V |
| G002 | 7002033 | Manguera para agua caliente 3/8" |
| G003 | 5011003 | Pieza de unión en T Conexión de agua 2x3/4" 1x1/2" P3 |
| G004 | 2013002 | Boquilla deshumidificadora P3 |
| G005 | 2216796 | Cubierta de la bandeja de deshumidificación P3 |
| G006 | 6015215 | Conexión de manguera acodada 3/8" con junta |
| G007 | 7012307 | Tubería de conexión p. ducha de mano enrollable 6.10/6.20/10.10/10.20 P3 |
| G010 | 6011019K | Manguera de ducha de mano para ducha de mano enrollable P3 |
| G011 | 6011005 | Ducha de mano para ducha de mano enrollable P3 |
| G012 | 2625196 | Soporte de ducha de mano p. ducha de mano enroll. 6.10/6.20/10.10/10.20 P3 |
| G015 | 6006086 | Brida de manguera 12-22 mm |
| G028 | 6015420 | Pasatabiques 1/2"-3/8" para ducha de mano enrollable P3 |
| G029 | 5011013 | Válvula electromagnética 220/240V 3/8"-3/8" p. ducha de mano enrollable P3 |
| G030 | 6011028K | Ducha de mano enroll. 6.10/6.20/10.10/10.20 P3 con accesorios de montaje |
| G031 | 2625192 | Accesorios de montaje p. ducha de mano enroll. 6.10/6.20/10.10/10.20 P3 |
| G032 | 6013063 | Tapa protectora para ducha de mano enrollable 6.10/6.20/10.10/10.20 P3 |
| G033 | 2625194 | Tambor de manguera p. ducha de mano enroll. P3 con accesorios de montaje |
| G034 | 6011017K | Junta giratoria p. ducha de mano enrollable P3 con accesorios de montaje |
| G035 | 6011037K | Tensor de muelle para ducha de mano enrollable P3 |
| G036 | 2625195 | Microinterruptor para ducha de mano enrollable P3 |
| G037 | 6011038K | Empujador para ducha de mano enrollable P3 |
| G038 | 6011041 | Rodillo de guía para ducha de mano enrollable P3 |
| G039 | 6011035K | Disco de leva para ducha de mano enrollable P3 |
| G040 | 7012311K | Manguera vertedor para ducha de mano enrollable P3 |

Druckdatum/print date 24-2-2010

