

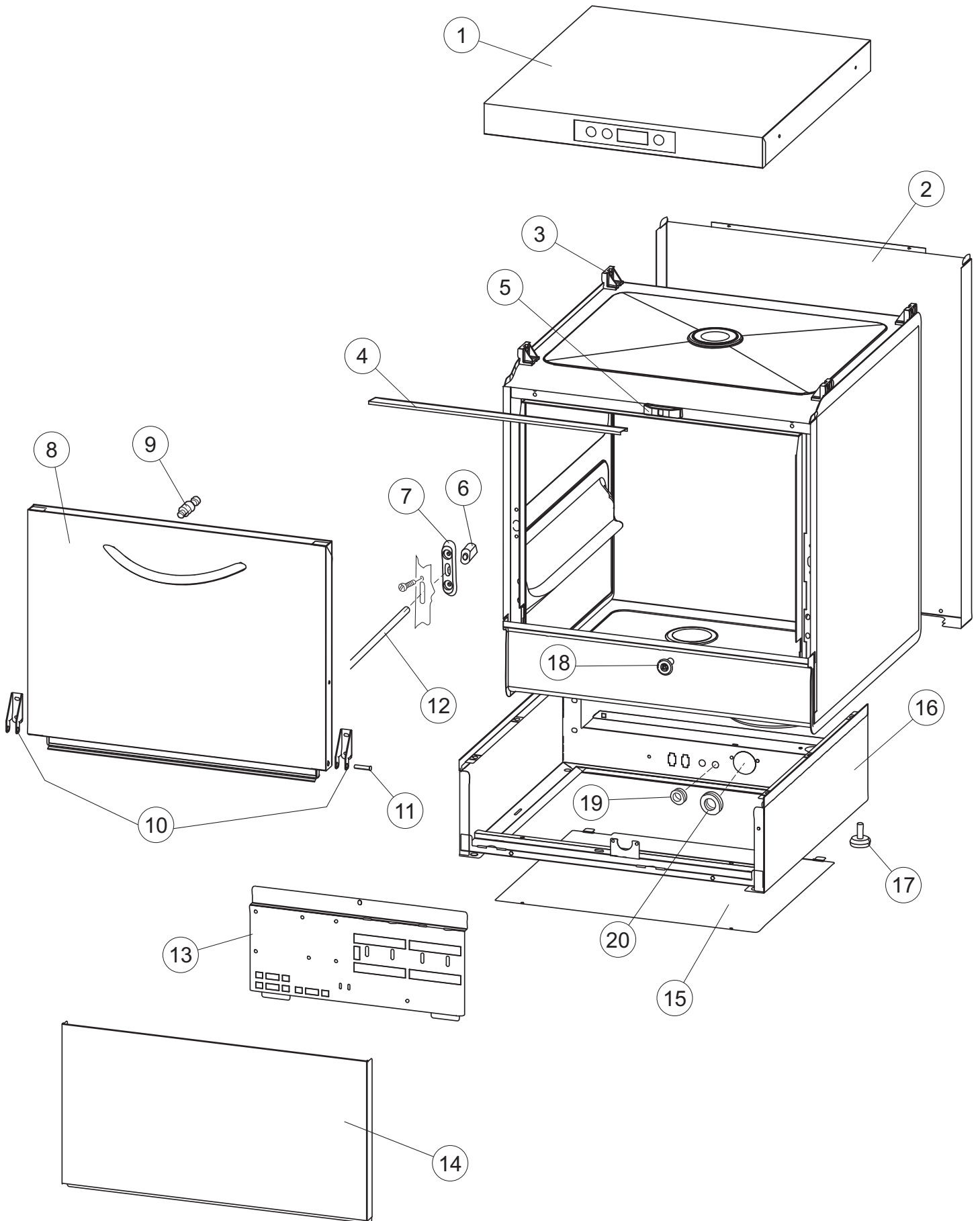
ELETTROBAR

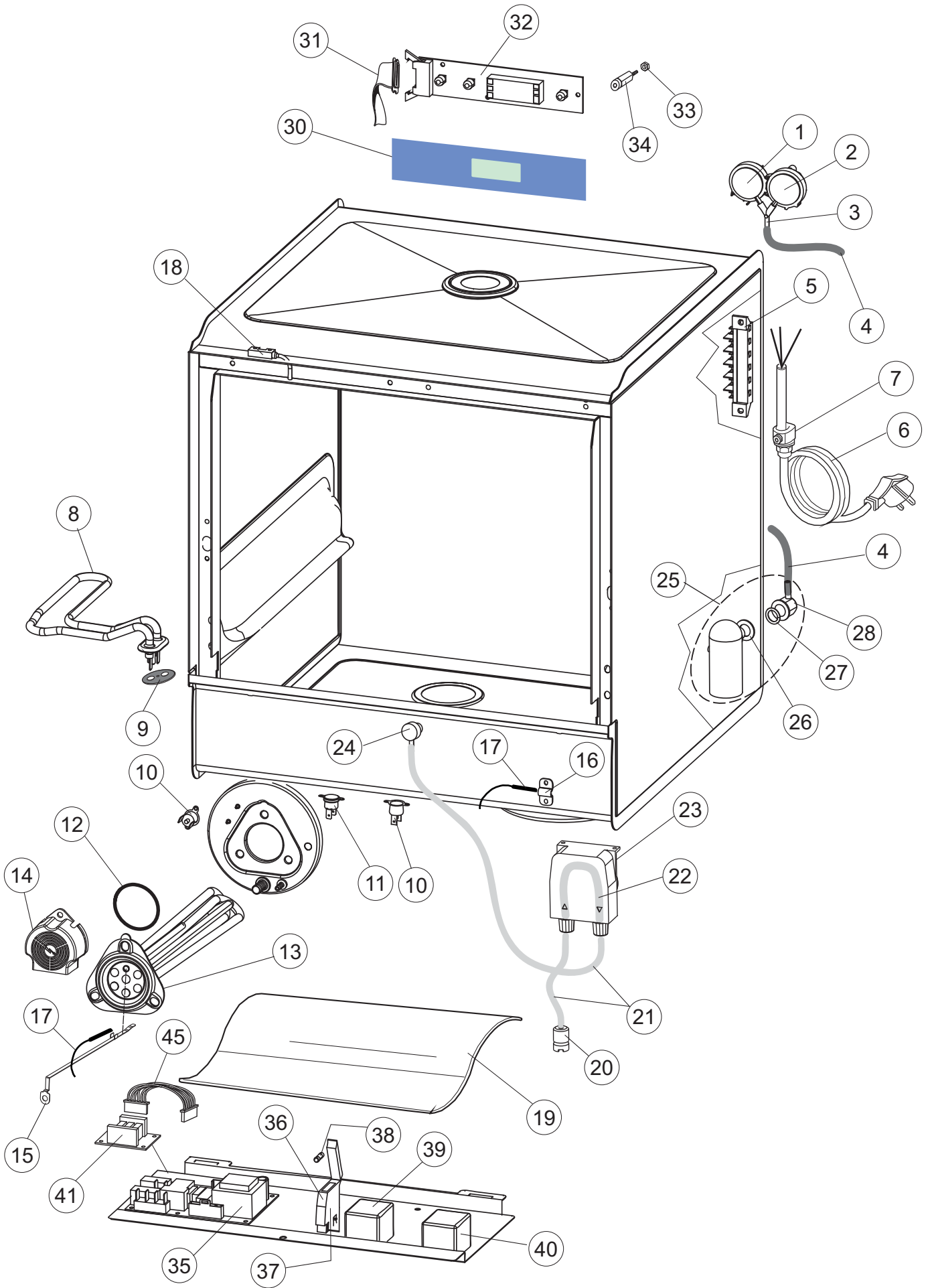
**SPARE PARTS CATALOGUE
ERSATZTEILKATALOG
CATALOGUE PIECES DETACHEES
CATALOGO PARTI RICAMBIO
CATALOGO DE PIEZAS DE RECAMBIO
CATALOGO PEÇAS DE REPOSIÇÃO**

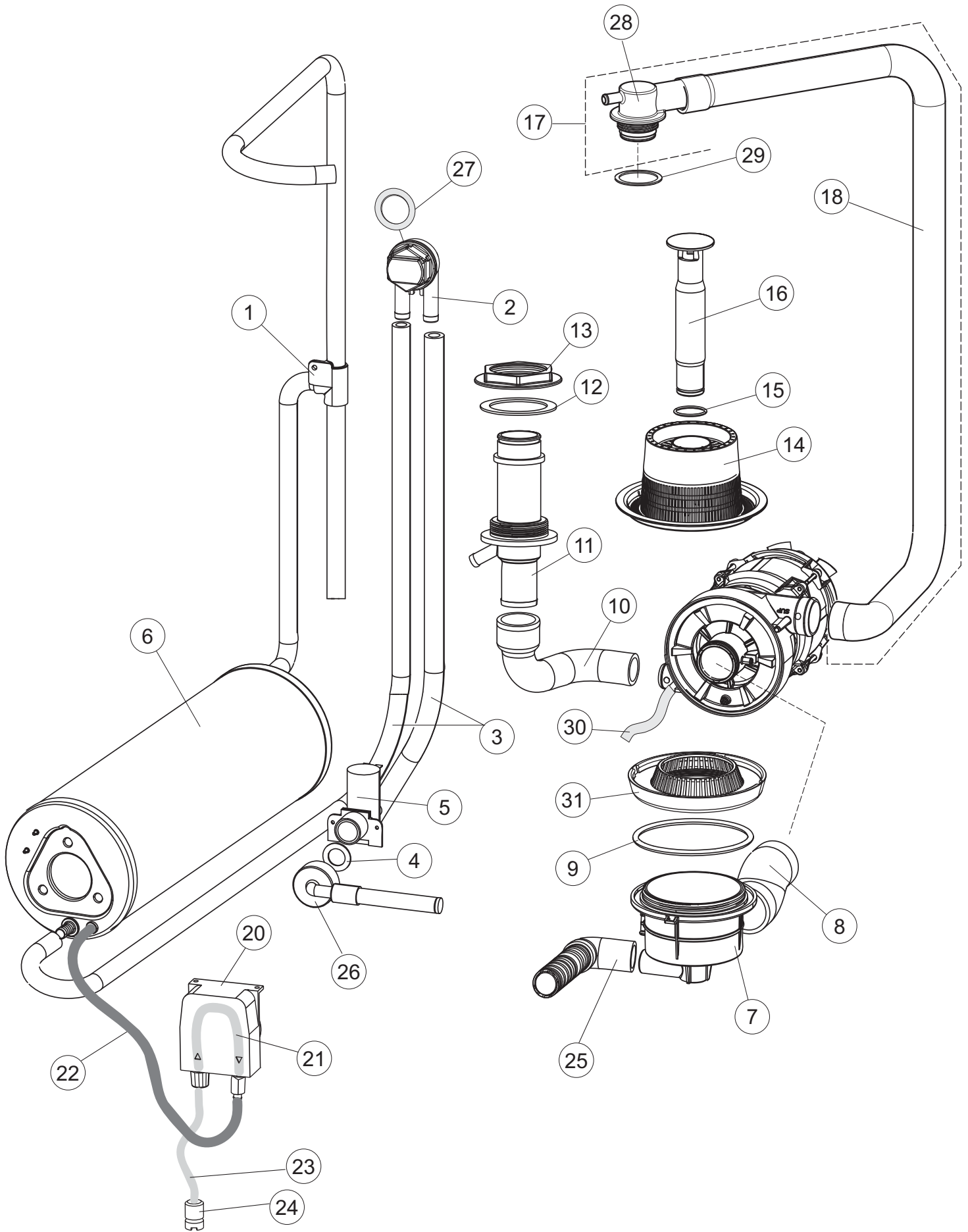
Ocean 360 M

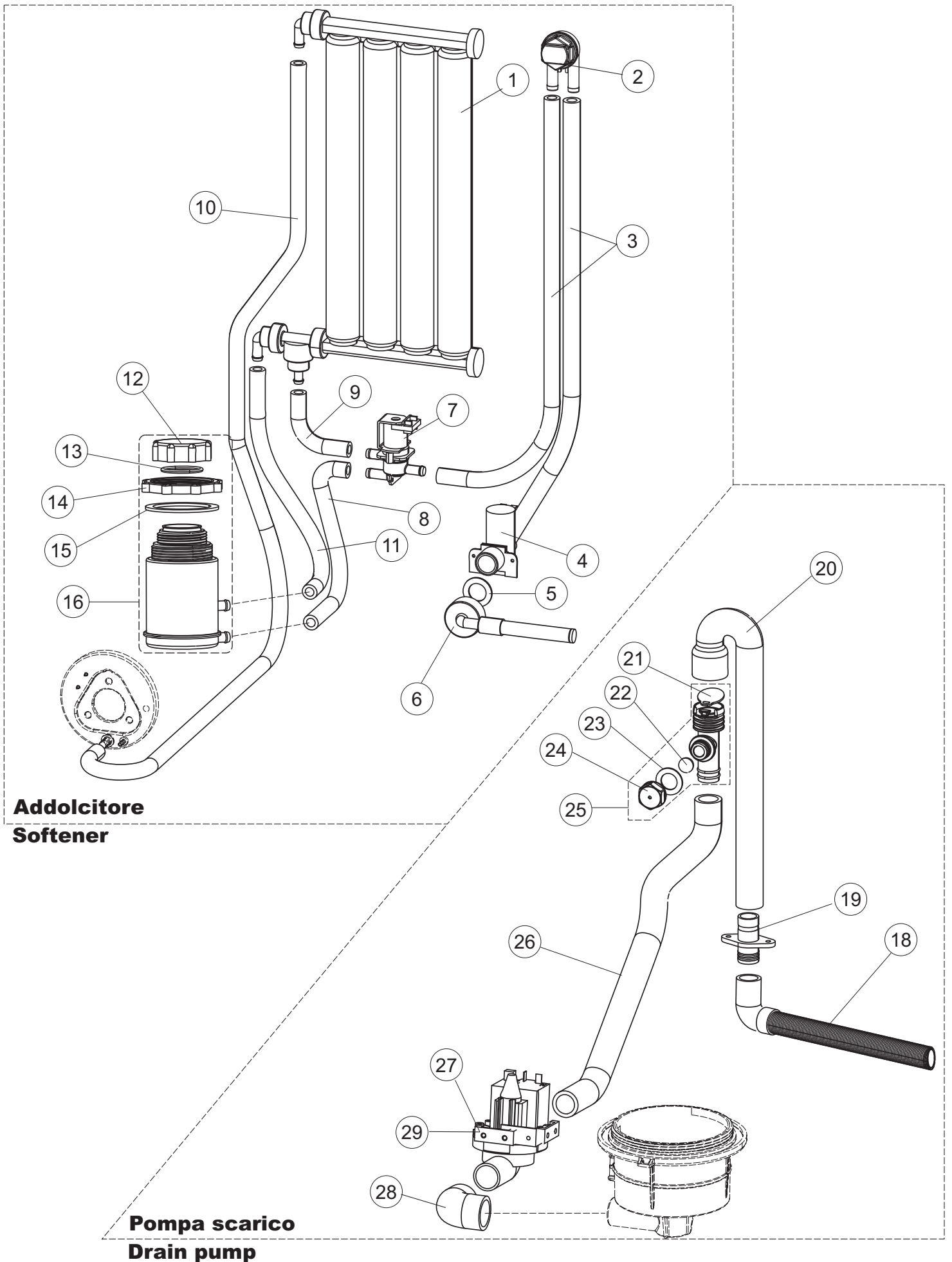
03-02-2015

1





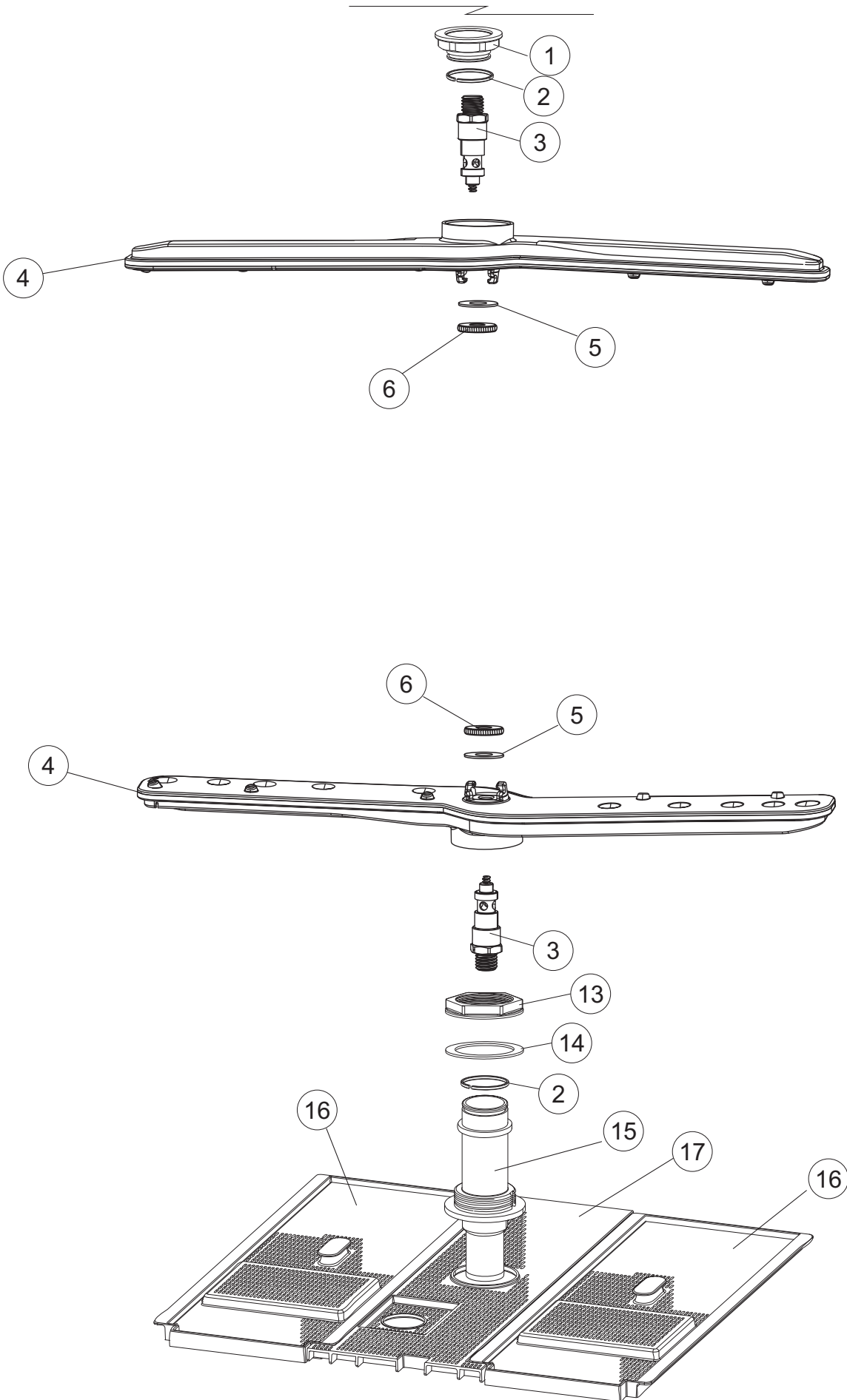




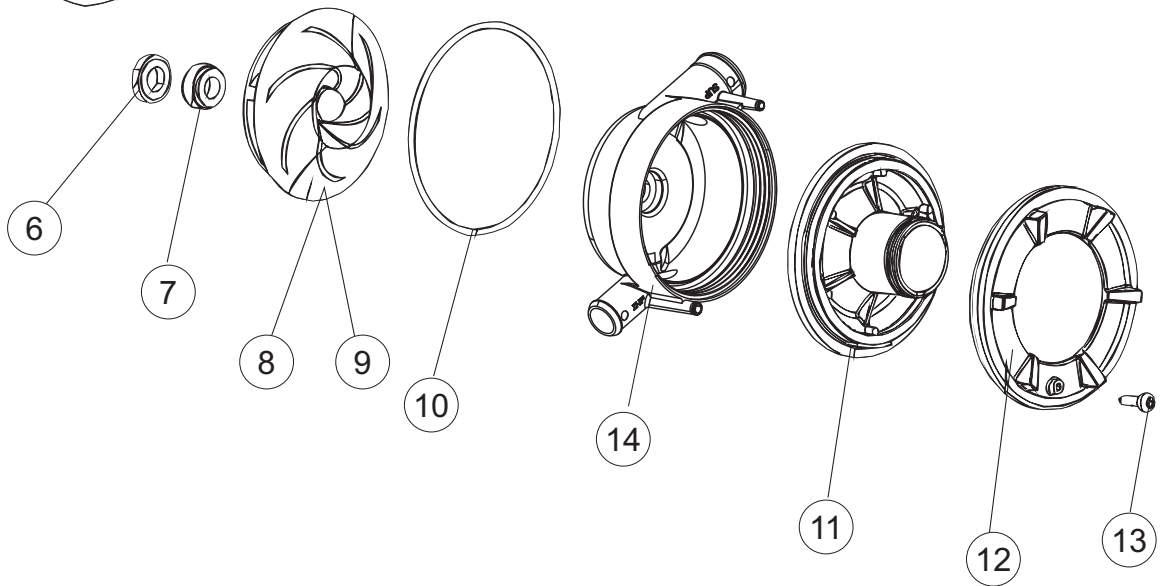
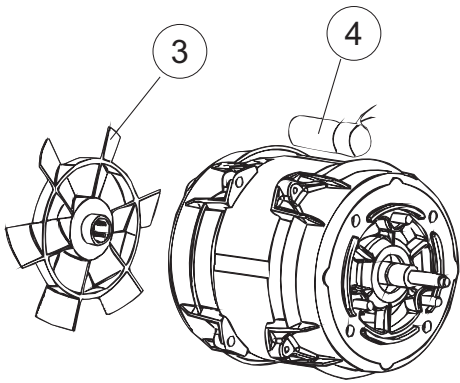
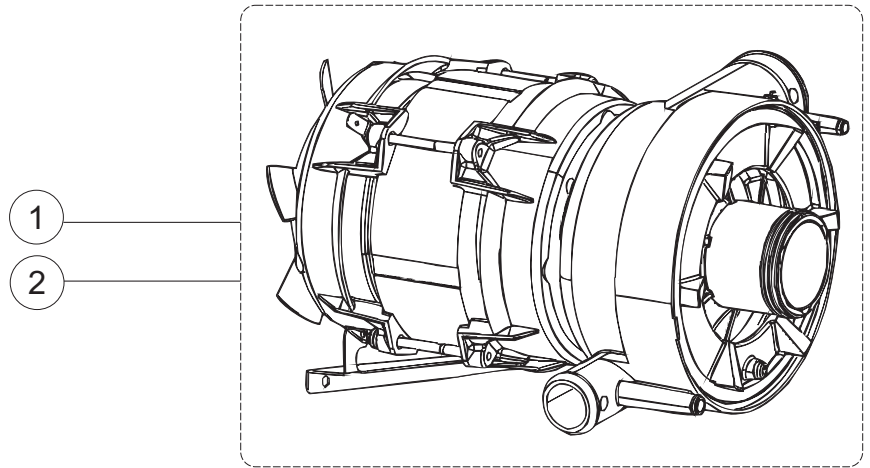
**Addolcitore
Softener**

**Pompa scarico
Drain pump**

5



6



| Seite | Position | Code | Alter Code | Beschreibung | | |
|-------|----------|--------|------------|---|--|--|
| 1 | 1 | 004258 | | GEHAEUSEDECKEL | | |
| 1 | 2 | 022159 | | HINTERPANEEL | | |
| 1 | 3 | 035113 | | BEFESTIGT BÜGEL | | |
| 1 | 4 | 437081 | REB437081 | DICHTUNG, TÜR - 50/503 | | |
| 1 | 5 | 994012 | DWS30 | GRUPPO SERRATURA EB/F 22/44 | | |
| 1 | 6 | 417041 | REB417041 | SCHRAUBENMUTTER, TÜRANSCHLAG | | |
| 1 | 7 | 307003 | REB307003 | ANSCHLAG, SCHRAUBENMUTTER FÜR STAB | | |
| 1 | 8 | 029685 | | TUER | | |
| 1 | 9 | 325066 | REB325066 | PFLOCK, SCHLOSS BETA 246/250 | | |
| 1 | 10 | 311019 | REB311019 | SCHARNIER, TÜR 45/46/50.. | | |
| 1 | 11 | 325036 | REB325036 | ZAPFEN, TÜRSCHARNIER 50 | | |
| 1 | 12 | 304021 | REB304021 | STANGE, TÜRSCHIENE 50/500/453/463/503 | | |
| 1 | 13 | 035112 | | BEF.WINKEL | | |
| 1 | 14 | 012338 | | FRONTPANEEL | | |
| 1 | 15 | 030195 | | UNTERSCHUETZ DES FUESSES | | |
| 1 | 16 | 040123 | | MONTIERT SOCKEL | | |
| 1 | 17 | 461019 | REB461019 | VERSTELLFUSS D30 M8 | | |
| 1 | 18 | 480057 | REB480057 | GUMMISTÖPSEL D.14 | | |
| 1 | 19 | 459006 | REB459006 | KABELDURCHGANG, DI9/De16 22 | | |
| 1 | 20 | 459004 | REB459004 | ROHRDURCHGANG, GUMMI DI.34 | | |
| 2 | 1 | 224004 | REB224004 | DRUCKSCHALTER - 35/17 | | |
| 2 | 2 | 224029 | | ARBEITSDRUCKWAECHTER 90-60 | | |
| 2 | 3 | 035031 | REB035031 | Y-VERBINDUNGSST., DRUCKSCHALTER 760 | | |
| 2 | 4 | 143013 | REB143013 | SCHLAUCH PVC GRUEN 4X7 | | |
| 2 | 5 | 220011 | REB220011 | * KLEMMENBRETT, 5-POLIG + ERDUNG FV.122 | | |
| 2 | 6 | 299040 | REB299040 | ANSCHLUSSKABEL SCHUKO 230V | | |
| 2 | 7 | 459005 | REB459005 | KABELKLIPPS, STEAB Art.5024 | | |
| 2 | 8 | 230118 | | ELEKTRISCHER WIDERSTAND 2100W-230V LA50 | | |
| 2 | 9 | 437086 | REB437086 | DICHTUNG, TANKWIDERSTAND | | |
| 2 | 10 | 236047 | REB236047 | SICHERHEITSTHERMOSTAT | | |
| 2 | 11 | 236052 | | THERM.,KONT. BOILER/L.90ø+/-3ø(2611576) | | |
| 2 | 12 | 456002 | REB456002 | O-Ring 48x6,2 | | |
| 2 | 13 | 230116 | | HEIZUNG 3000W/230V | | |
| 2 | 14 | 69870 | | HEIZUNGSCHUETZ DES WARMWASSERBEREITERS | | |
| 2 | 15 | 69871 | | SONDENHALTER | | |
| 2 | 16 | 028105 | | PLATCHEN | | |
| 2 | 17 | 231016 | | TEMPERATURSONDE | | |
| 2 | 18 | 80871 | | TUERKONAKTSCHALTER | | |
| 2 | 19 | 214114 | | DURCHSICHTIGER SCHUETZ FUER ELEKTRISCHE ANLAGE DES GESCHIRRSPUELERS | | |
| 2 | 20 | 121149 | | SIEB FUER SPUELMITTELPUMPE | | |
| 2 | 21 | 143194 | REB143194 | SCHLAUCH 4X6 CRISTAL, DURCHS. | | |
| 2 | 22 | 143267 | | FLASCHEN 6X10 | | |
| 2 | 23 | 209039 | | SPÜLMITTELBEHÄLTER | | |
| 2 | 24 | 468151 | DZR150NT | TANKEINLAUF CPL NM* | | |
| 2 | 25 | 984007 | | GRUPPO CAMPANA PRESSOST.LA500 | | |
| 2 | 26 | 437019 | REB437019 | DICHTUNG, GLOCKE DRUCKSCH. V.M. | | |
| 2 | 27 | 456020 | REB456020 | O-Ring 3050 R495 | | |
| 2 | 28 | 468029 | REB468029 | VERBINDUNGSSTK. TANKEINLAUF | | |
| 2 | 30 | 70703 | | MASKE POLYESTERE | | |
| 2 | 31 | 211013 | | FLACHKABEL | | |
| 2 | 32 | 80944 | | BEDINGUNGEN-TESTENBRETT | | |

| | | | | | | |
|---|----|----------|-----------|--|--|--|
| 2 | 33 | 417119 | | SCHRAUBENMUTTER, M3 KUNST. WEISS | | |
| 2 | 34 | 419036 | | ABSTANDSSTÜCK, M3 | | |
| 2 | 35 | 215034-1 | | KARTE | | |
| 2 | 36 | 210010 | | SICHERUNGSHALTER | | |
| 2 | 37 | 210011 | | PLAETTCHEN | | |
| 2 | 38 | 228010 | | SICHERUNG 5X20 T4A | | |
| 2 | 39 | 229039 | | RELAIS 62.82.8.230.0300 | | |
| 2 | 40 | 229029 | REB229029 | RELAIS FINDER 65.31 230/50 | | |
| 2 | 41 | 215036 | | KARTE | | |
| 2 | 45 | 203424 | | ZUSATZKABEL | | |
| 3 | 1 | 143263 | | DREI-WEGE-ROHR (LA500) | | |
| 3 | 2 | 144030 | | DVGW GERAT (LA500) | | |
| 3 | 3 | 143004 | REB143004 | ROHR, DRUCKSCHALTER TP 10X17 (CASER/15NL C4N) | | |
| 3 | 4 | 437041 | REB437041 | DICHTUNG 3/4 GASVERSORG. | | |
| 3 | 5 | 240011 | REB240011 | ZUFLUSSVENTIL 1-WEG C.33290127 | | |
| 3 | 6 | 104060 | | BOILER | | |
| 3 | 7 | 136030 | | EINLASSUNG/ABLASSUNG GEHÄUSE | | |
| 3 | 8 | 127082 | | NACHSPUEL-FOERDERUNGSBOGEN | | |
| 3 | 9 | 456076 | | TORISCHE DICHTUNG D.I.135.9X5.33 | | |
| 3 | 10 | 127085 | | SAUGMUFFE PUMPE LA50 | | |
| 3 | 11 | 115143 | | ZENTRALLEITUNG OBEN LA50 | | |
| 3 | 12 | 437102 | | DICHTUNG | | |
| 3 | 13 | 429073 | | MUTTER | | |
| 3 | 14 | 121120 | | SIEB | | |
| 3 | 15 | 456081 | | O-RING | | |
| 3 | 16 | 142058 | | UEBERLAUFROHR LA50 | | |
| 3 | 17 | 115150 | | WASCHLEITUNG AUSSEN PL. | | |
| 3 | 18 | 127133 | | WASHLEITUNG OBEN | | |
| 3 | 20 | 209036 | | KLARSPÜLER | | |
| 3 | 21 | 143266 | | FLASCHEN 5X10 | | |
| 3 | 22 | 143005 | SPG10 | SCHLAUCH TP 5X11 (CASER/15/NL C4N) | | |
| 3 | 23 | H.775601 | | ROHR 4x6 CRISTAL BLAU PVC | | |
| 3 | 24 | 121149 | | SIEB FUER SPUELMITTELPUMPE | | |
| 3 | 25 | 143252 | | ABLAUFLEITUNG | | |
| 3 | 26 | 143270 | | AHL FFC3/4 - WARMES WASSER WRAS | | |
| 3 | 27 | 437080 | | DICHTUNG, VERBINDUNGSST., OB.SPÜL.E.40 | | |
| 3 | 28 | 115149 | | ZENTRALE SAULE | | |
| 3 | 29 | 437113 | | DICHTUNG DES KOERPERS -UNTEN- FUER GLAES ERSPUELER | | |
| 3 | 30 | H.165168 | | PVC SCHLAUCH | | |
| 3 | 31 | 429072 | | ZWINGE | | |
| 4 | 1 | 117009 | | WASSERENTKAELKER | | |
| 4 | 2 | 144030 | | DVGW GERAT (LA500) | | |
| 4 | 3 | 143004 | REB143004 | ROHR, DRUCKSCHALTER TP 10X17 (CASER/15NL C4N) | | |
| 4 | 4 | 240016 | DEV3S16 | ZUFLUSSVENTIL 1-WEG 3/4 230V DROSS.16L | | |
| 4 | 5 | 437041 | REB437041 | DICHTUNG 3/4 GASVERSORG. | | |
| 4 | 6 | 143270 | | AHL FFC3/4 - WARMES WASSER WRAS | | |
| 4 | 7 | 999288 | | GRUPPO VALVOLA DEVIATR.CON RIDUTTORE | | |
| 4 | 8 | 127138 | | MANICOTTO VALVOLA SCAMB->B.SALE LA500 | | |
| 4 | 9 | 127140 | | MANICOTTO VALVOLA SCAMB->ADD.LA500 | | |
| 4 | 10 | 127137 | | MANICOTTO ADDOLC.->ENTR.BOILER LA500 | | |
| 4 | 11 | 127139 | | MANICOTTO ADDOLCITORE->B.SALE LA500 | | |
| 4 | 12 | 480005 | REB480005 | PFPROPFEN, SALZBEHALTER | | |
| 4 | 13 | 456052 | REB456052 | O-Ring 144 | | |
| 4 | 14 | 429011 | REB429011 | GEWINDERING, SALZBEH. | | |
| 4 | 15 | 437034 | REB437034 | DICHTUNG, D68D81S3 GUMMI | | |
| 4 | 16 | 406998 | REB406998 | SALZBEHALTER NM | | |

| | | | | | | |
|---|----|--------|-----------|---|--|--|
| 4 | 18 | 143137 | REB143137 | ABLASSROHR D18 GEBOG. ENDE | | |
| 4 | 19 | 468152 | REB468152 | VERBINDUNGSST., ABLAUF CLEAN.3 | | |
| 4 | 20 | 127136 | | MUFFE | | |
| 4 | 21 | 499092 | | BLLENDE | | |
| 4 | 22 | 476008 | | KUGELHAHN | | |
| 4 | 23 | 437083 | | DICHTUNG, GUMMI D32D19.5S1.5 | | |
| 4 | 24 | 468199 | | ANSCHLUSSSTUECK LA50 | | |
| 4 | 25 | 144992 | | LUFTLOCH-VENTIL DER ABFLUSSPUMPE | | |
| 4 | 26 | 127135 | | MUFFE | | |
| 4 | 27 | 130175 | | ABFLUSSPUMPE 50HZ. | | |
| 4 | 28 | 127134 | | ANSAUGEN MUFFE | | |
| 4 | 29 | 450002 | | MOTOR 220V/60HZ 32W (63AB914) | | |
| 5 | 1 | 429079 | | RING | | |
| 5 | 2 | 303040 | | TEILERPLATTE | | |
| 5 | 3 | 325109 | | PERNO PETTINE ACCIAIO LA40-450-50-500 | | |
| 5 | 4 | 990128 | | GRUPPO BR.PARALLELI 50 EB.CPL. | | |
| 5 | 5 | 437117 | | TEFLONRING 19.5X9.5X1 | | |
| 5 | 6 | 454006 | | ZAPFEN | | |
| 5 | 13 | 429073 | | MUTTER | | |
| 5 | 14 | 437102 | | DICHTUNG | | |
| 5 | 15 | 115143 | | ZENTRALLEITUNG OBEN LA50 | | |
| 5 | 16 | 121147 | | FILTER | | |
| 5 | 17 | 121150 | | FILTER | | |
| 6 | 1 | 130977 | | WASCHPUMPE-KOERPER+ PUMPE | | |
| 6 | 2 | 130976 | | WASCHPUMPE-KOERPER+ PUMPE 60HZ | | |
| 6 | 3 | 335015 | | LUFTERRAD | | |
| 6 | 4 | 206002 | REB206002 | KONDENSATOR - 10 mF | | |
| 6 | 6 | 141008 | | MECHANISCHE DICHTUNG FUER WASCHPUMPE DER GLAESERSPUELER | | |
| 6 | 7 | 141009 | | MECHANISCHE DICHTUNG FUER WASCHPUMPE DER GLAESERSPUELER | | |
| 6 | 8 | 124057 | | PUMPENFLUEGEL | | |
| 6 | 9 | 124060 | | PUMPENFLUEGEL | | |
| 6 | 10 | 456078 | | TORISCHE DICHTUNG | | |
| 6 | 11 | 480159 | | DECKEL PUMPE | | |
| 6 | 12 | 429074 | | RING | | |
| 6 | 13 | 486242 | | SCHRAUBE 3.5X13 | | |