

# ROBOT

LINEA ROBOT

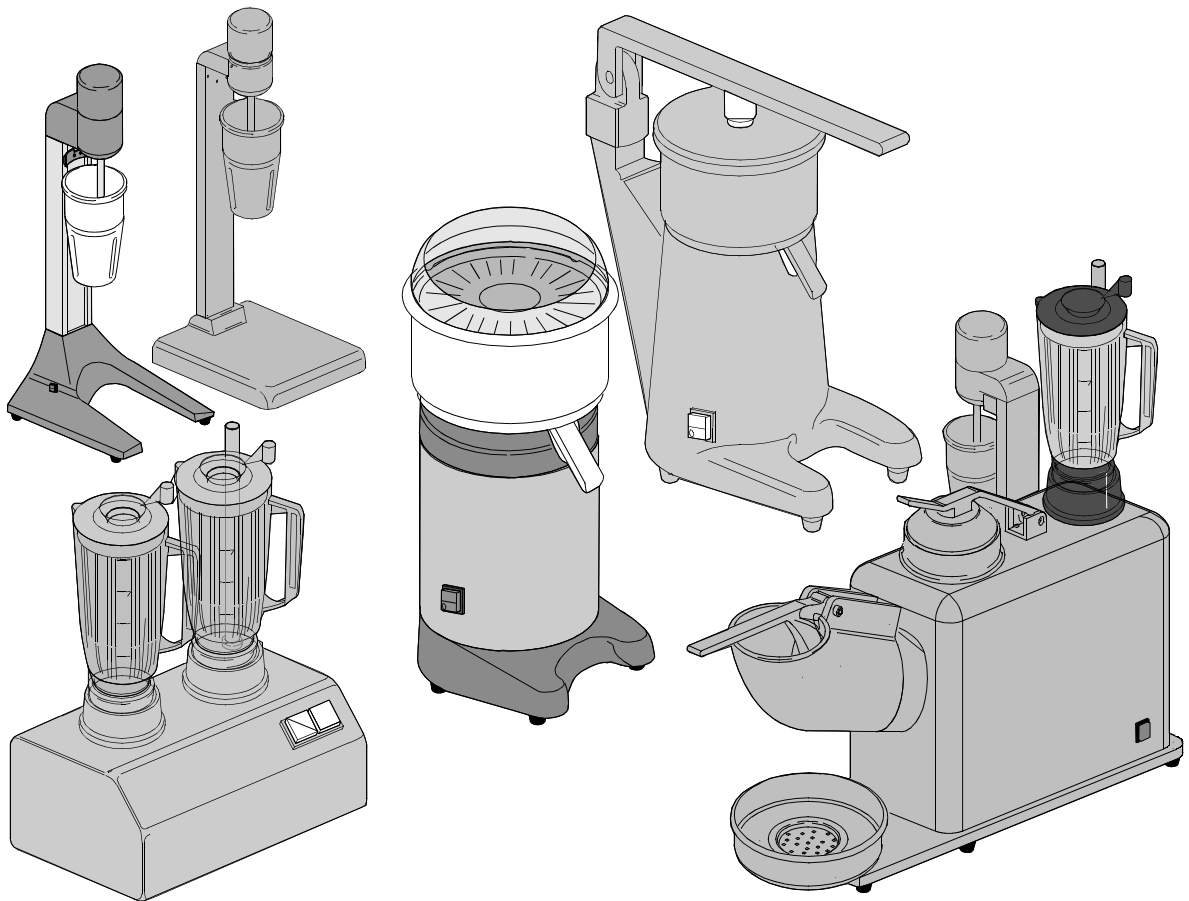
TYPE: RO

Accessories  
WITHOUT ACCESSORY

---

## Spare parts manual

---





## 1. Spare parts

<b>Blender F1 / F2 .....</b>	<b>7</b>
<b>Blender F1 / F2 .....</b>	<b>9</b>
<b>Blender F1 / F2 .....</b>	<b>11</b>
<b>Citrus squeezers S30 .....</b>	<b>13</b>
<b>Citrus squeezers S40 .....</b>	<b>15</b>
<b>Citrus squeezers S40 .....</b>	<b>17</b>
<b>Citrus squeezers S55 .....</b>	<b>19</b>
<b>Citrus squeezers S55 .....</b>	<b>21</b>
<b>Multiple group GM mod.03.....</b>	<b>23</b>
<b>Multiple group GM/2 mod.03 .....</b>	<b>25</b>
<b>Multiple group GM - GM/2.....</b>	<b>27</b>
<b>Multiple group GM2/2.....</b>	<b>29</b>
<b>Multiple group GM2/2 mod.03 .....</b>	<b>33</b>
<b>Multiple group GM3 mod.03.....</b>	<b>35</b>
<b>Multiple group GM4 mod.03.....</b>	<b>39</b>
<b>Multiple group GM3 - GM4.....</b>	<b>43</b>

**Spare parts**

---

**Mixer M1 - M2 - MP ..... 47**

**Mixer M1 - M2 - MP ..... 49**

**Mixer M1 - M2 - MP ..... 51**

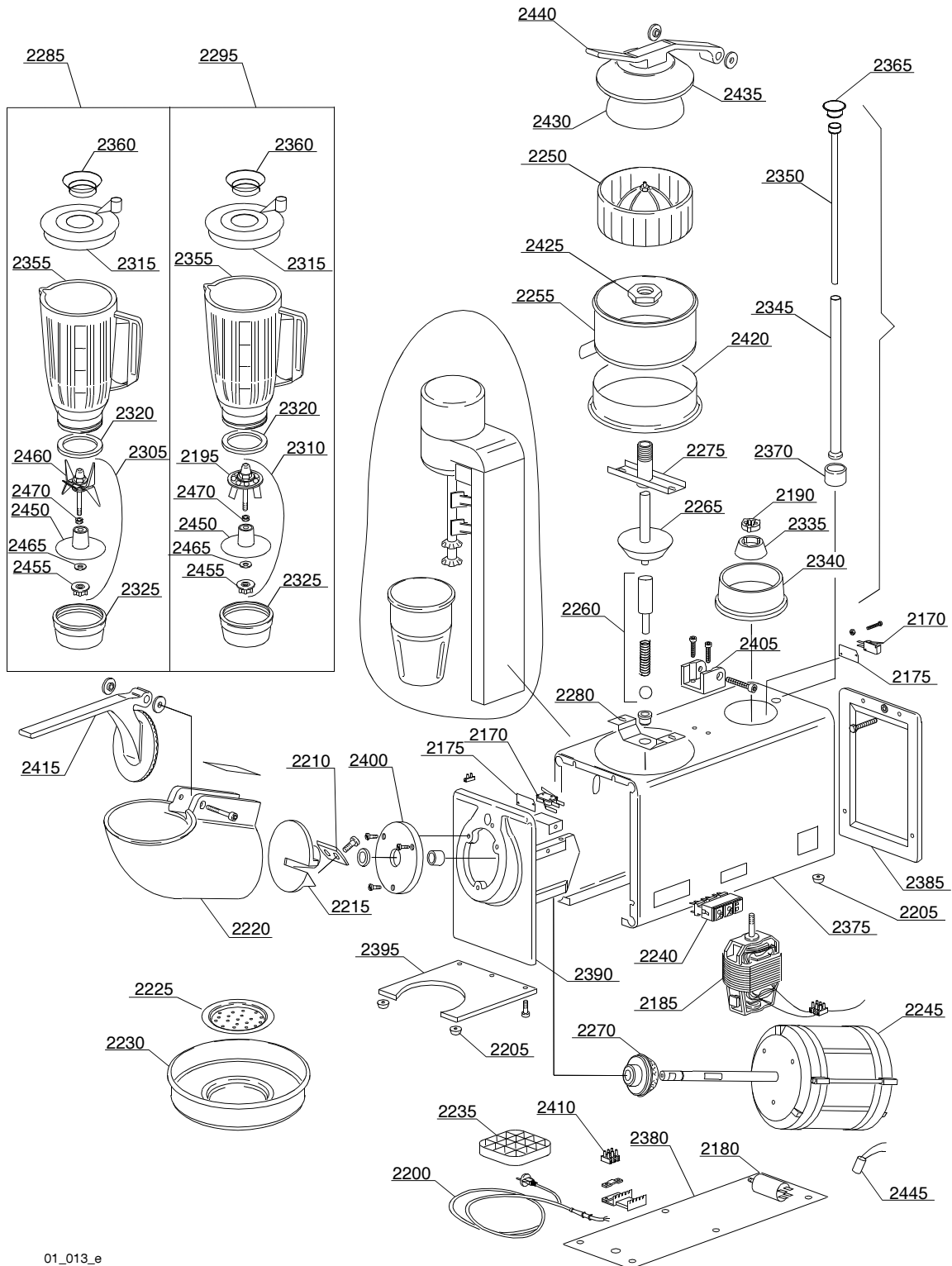
## 1.1 Voltage codes

Voltage code	Voltage
A	3/N/PE~400/230V 50Hz
B	~250V 16A 50Hz
C	3/N/PE~380/220V 50Hz
D	3/PE~200V 50-60Hz
F	2/PE 220-240V 50Hz
G	3/N/PE~415/240V 50Hz
H	3/PE~230V 50Hz
I	3/PE~220V 60Hz
J	3/PE~380 50Hz
K	3/PE~400V 50Hz
L	3/PE~415V 50Hz
M	3/PE~440V 60Hz
N	3/PE~460V 60Hz
O	3/PE~480V 60Hz
P	1/N/PE~220-240V 50Hz
R	2/PE~220-230V 60Hz
S	3/N/PE~400/230V 50Hz
T	3/PE~230V 60Hz

## 1.2 Product codes

Product code	Full name
Model codes	
Type codes	
51	51
56A	56A
56B	56B
56RB	56RB
56C	56C
56RC	56RC
56	56
57A	57A
57B	57B
57C	57C
57	57
581	581
582	582
58R	58R
58	58
RO	RO
BW	BW
Accessory codes	
wa	WITHOUT ACCESSORY

# Spare parts



01\_013\_e

## Spare parts

ID	P-code	Model	Type	Accessory	Voltage	Description
MODULE:Multiple group GM3 - GM4						
2170	10704		BW,RO,57,57C			Door microswitch
2175	10770		BW,RO,57,57C			Insulating for door microswitch
2180	18043		BW,RO,57,57C			10uF condenser
2185	60105		BW,RO,57,57C			2 speed motor
2190	60107		BW,RO,57,57C			Female-male gear
2195	60108		BW,RO,57,57C			Blender cone assembly
2200	60125		BW,RO,57,57C			Power supply cable
2205	60126		BW,RO,57,57C			Rubber small foot
2210	60127		BW,RO,57,57C			Blade for ice-crusher
2215	60134		BW,RO,57,57C			Blade holder
2220	60135		BW,RO,57,57C			Ice feeder
2225	60136		BW,RO,57,57C			Perforated rounded small grill
2230	60137		BW,RO,57,57C			Ice holder little tank
2235	60138		BW,RO,57,57C			Glasses holder
2240	60139		BW,RO,57,57C			Triple push button panel
2245	60142		BW,RO,57,57C			Main motor
2250	60149		BW,RO,57,57C			Complete crown
2255	60150		BW,RO,57,57C			Fruit-juice squeezer little tank
2260	60153		BW,RO,57,57C			Complete press axis spring
2265	60154		BW,RO,57,57C			Aluminium pulley
2270	60156		BW,RO,57,57C			Clutch pulley
2275	60162		BW,RO,57,57C			Axis guide
2280	60163		BW,RO,57,57C			Axle support
2285	60176		BW,RO,57,57C			1,5lt plastic glass with blades
2285	60177		BW,RO,57,57C			3lt stainless steel glass with blades
2295	60178		BW,RO,57,57C			1,5lt plastic glass with cones
2295	60179		BW,RO,57,57C			3lt stainless steel glass with cones
2305	60180		BW,RO,57,57C			Blades assembly with axle
2310	60181		BW,RO,57,57C			Cone assembly with axle
2315	60182		BW,RO,57,57C			Glass plug
2320	60183		BW,RO,57,57C			Glass gasket
2325	60184		BW,RO,57,57C			Glass base
2330	60185		BW,RO,57,57C			Male gear
2335	60187		BW,RO,57,57C			Gear support
2340	60188		BW,RO,57,57C			Cylindrical support
2345	60189		BW,RO,57,57C			Micro axle-holder pipe
2350	60190		BW,RO,57,57C			Axle for micro
2355	60191		BW,RO,57,57C			1,5lt plastic glass
2360	60192		BW,RO,57,57C			Plug for glass cover
2365	60193		BW,RO,57,57C			Plug for micro axle
2370	60194		BW,RO,57,57C			Micro axle support
2375	60202		BW,RO,57,57C			Stainless steel cover
2380	60212		BW,RO,57,57C			Bottom protection
2385	60220		BW,RO,57,57C			End panel

## Spare parts

ID	P-code	Model	Type	Accessory	Voltage	Description
2390	60221		BW,RO,57,57C			Feeder holder
2395	60223		BW,RO,57,57C			Base
2400	60224		BW,RO,57,57C			Feeder support
2405	60225		BW,RO,57,57C			Lever holder
2410	60301		BW,RO,57,57C			3 poles terminal board
2415	60302		BW,RO,57,57C			Ice press handle
2420	60304		BW,RO,57,57C			Basin citrus-fruit squeezer support
2425	60305		BW,RO,57,57C			Nut lock small basin
2430	60306		BW,RO,57,57C			Little bell citrus-fruit squeezer
2435	60307		BW,RO,57,57C			Little bell citrus-fruit squeezer cover
2440	60308		BW,RO,57,57C			Citrus-fruit squeezer handle
2445	60519		BW,RO,57,57C			Low noise filter
2450	60195		BW,RO,57,57C			Bushing support disk
2455	60109		BW,RO,57,57C			Male gear
2460	60116		BW,RO,57,57C			Knife assembly with axle
2465	60196		BW,RO,57,57C			Antifriction washer
2470	60197		BW,RO,57,57C			V-ring Ø 6