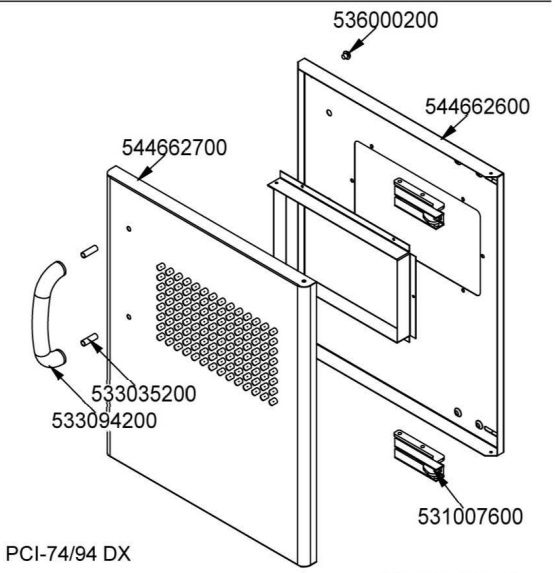
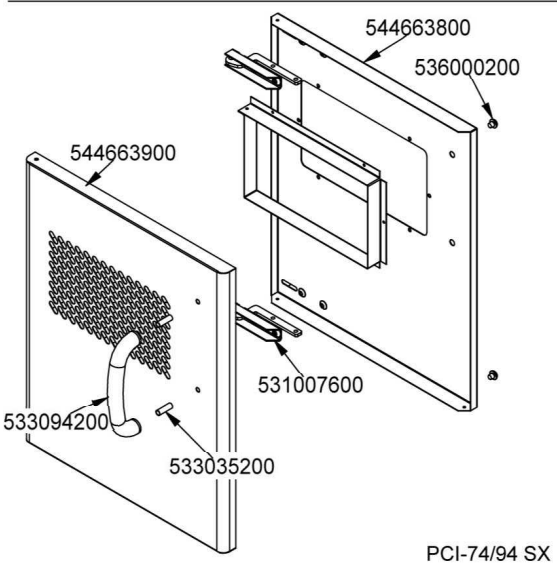
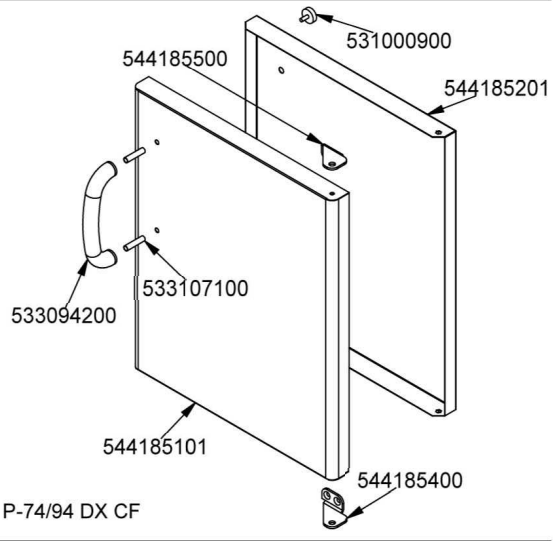
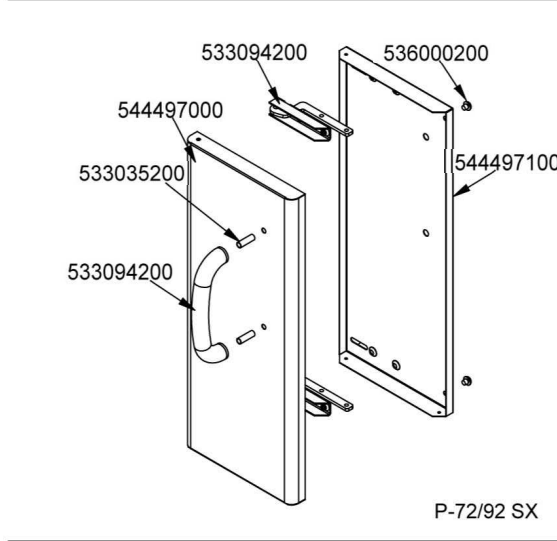
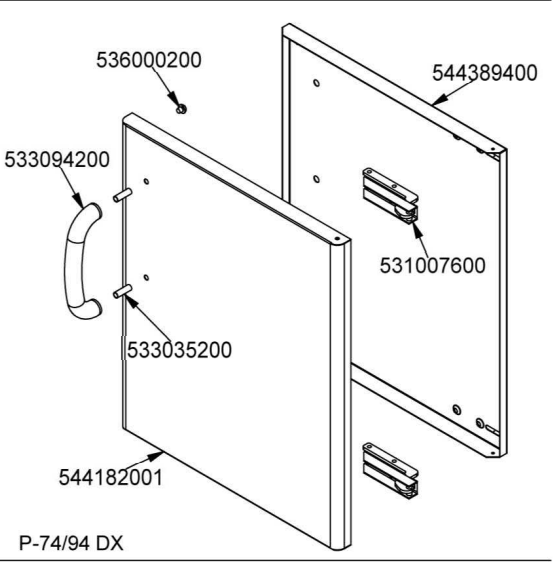
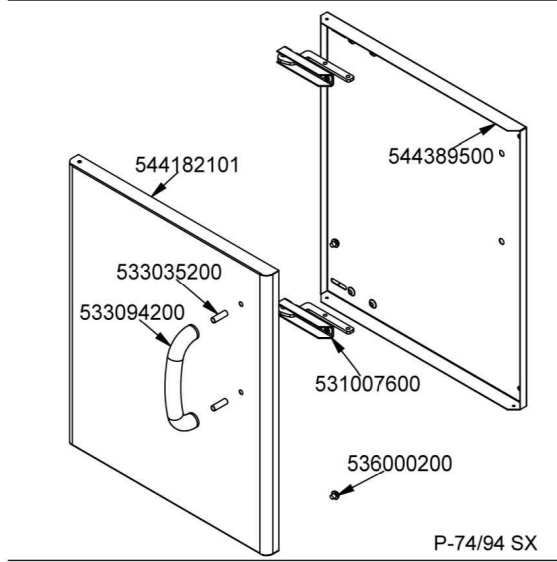
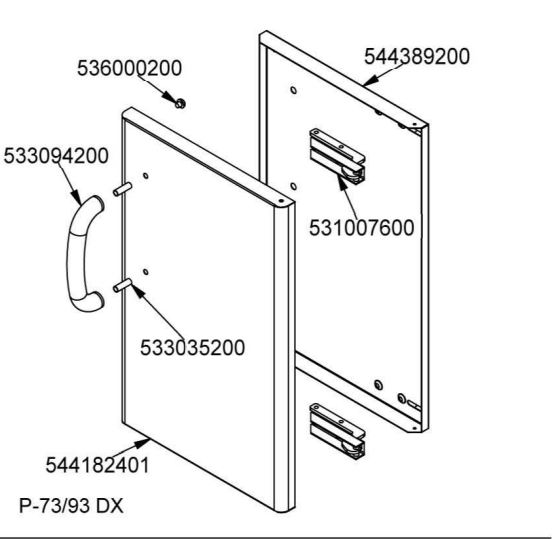
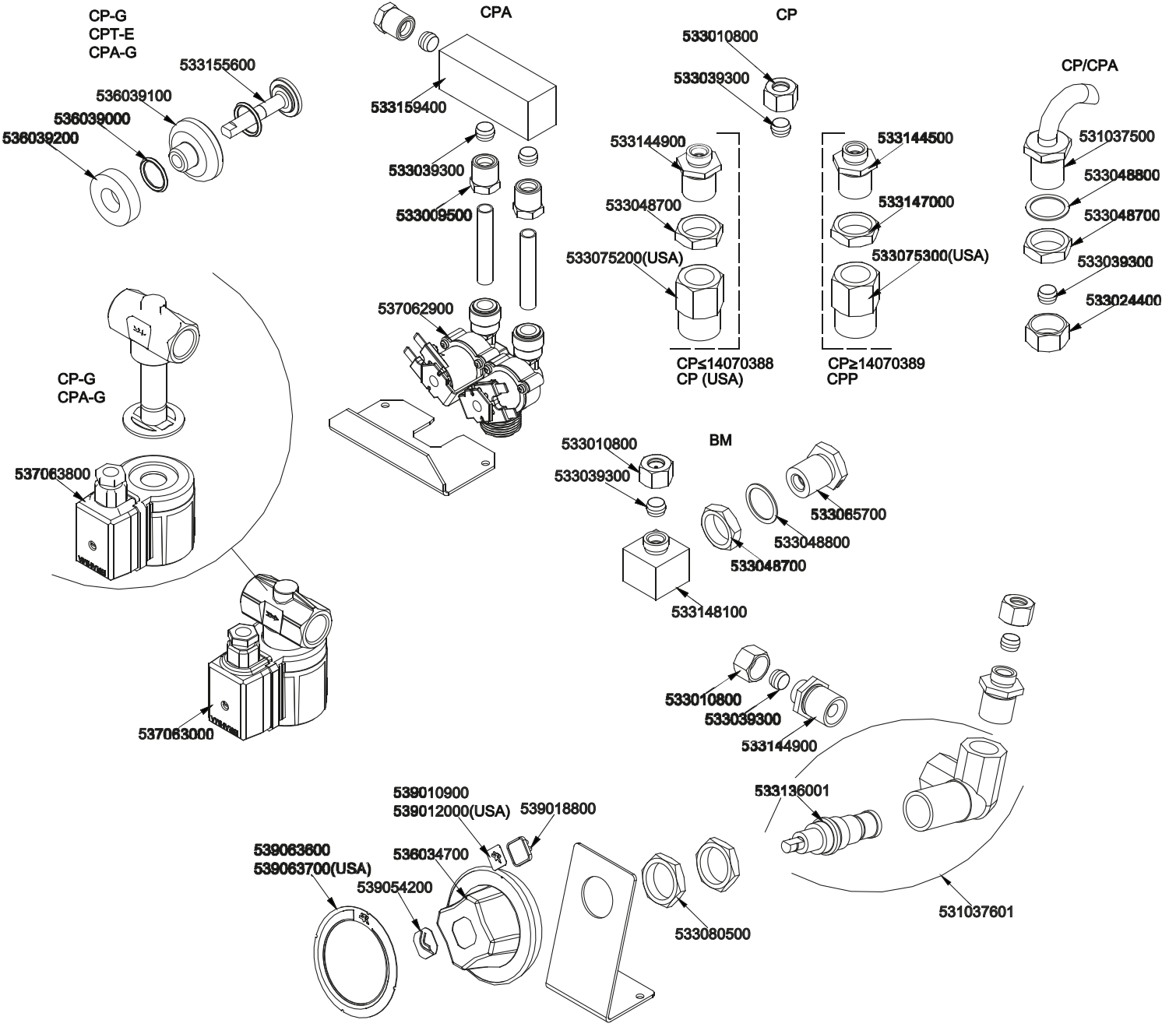


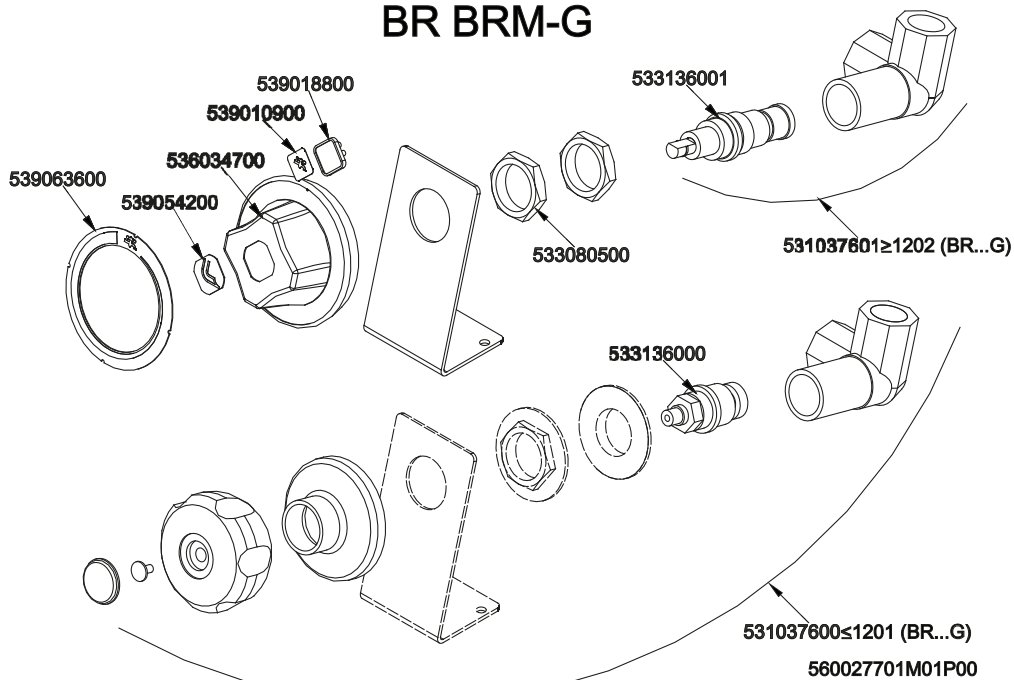
| | * | ** |
|------------------------------|-----------|-----------|
| G30-28+30mbar G31- 37mbar | 533020800 | 533030300 |
| G30- 50mbar | 533020800 | 533014800 |
| G20- 20mbar G25- 25mbar | 533020300 | 533055300 |
| G20- 20mbar DE-AT | 533020300 | 533055300 |
| G25- 20mbar | 533020300 | 533055500 |
| G25- 25mbar NL | 533020300 | 533055400 |

560034003M00P00





BR BRM-G



| Page | Pos | Code | Description |
|------|-----|-----------|------------------------------------|
| 001 | | 531021501 | BASKET SUPPORT GRID CP S.70 |
| 001 | | 532004100 | FLUE GRID L=370 90LINE (RAF |
| 001 | | 541134600 | LOW SPACER 78 2 GRIDS |
| 001 | | 544412900 | BASKET HOLDER FOR DRAINAGE OF CP90 |
| 001 | | 546006100 | RUBBER TUBE §25INT.*§33EXT.*L=540 |
| 001 | | 541319700 | ASS.PIANO S70 CPA-78G |
| 001 | | 531018600 | BALL VALVE 1"G M-F CPM-62G |
| 001 | | 533157400 | FERMO PROLUNGA RUBINETTO 1"G Ø14 |
| 001 | | 531042800 | SEMISPHERE FILTER |
| 001 | | 533157300 | PROLUNGA RUB.1"G S90 |
| 001 | | 533039900 | PIPE HOLDER 1" G M D.24 |
| 001 | | 544173500 | LEFT SIDE PANEL S.70 |
| 001 | | 533040000 | 1"G F-F-F "T" FITTING |
| 001 | | 533149500 | PROLUNGA 1 G M/M FE ZINC L100 |
| 001 | | 533157500 | RACC.A GOM.90° 1 G F.F. |
| 001 | | 541318700 | ASS.CRUSC.LT CPA-78G CPA-98G |
| 001 | | 531028600 | BURNER CP 70 LINE |
| 001 | | 537062800 | CENTR.SENS.ACQUA E RAB.CP 230V |
| 001 | | 544173400 | RIGHT SIDE PANEL S.70 |
| 001 | | 537003800 | TERMINAL BLOCK 3POLES 16A |
| 001 | | 536005200 | INOX LEG 2" 120-180 M10 |
| 002 | | 533047900 | BY PASS COCK §100 21S |
| 002 | | 533009400 | BICONE 10S |
| 002 | | 533009500 | NIPPLE FOR BICONE 10S |
| 002 | | 533053600 | EUROSIT VALVE PLUG |
| 002 | | 539018900 | INDEX FOR KNOB W/RED SIGN |
| 002 | | 533010800 | TUBE NUT D.10 M16*1,5 |
| 002 | | 533039300 | BICONE §10 |
| 002 | | 533039100 | BICONE §6 |
| 002 | | 533018500 | FITTING FOR BICONE D.6 M10*1 |
| 002 | | 531032100 | GAS COCK 21S P.V.BY-PASS Ø100 |
| 002 | | 537031901 | RED WARNING LIGHT PCI 12V E FASTON |
| 002 | | 536034500 | KNOB §77 4P. §08*6,5 |
| 002 | | 539062800 | RED STICKING DISK 72 |
| 002 | | 539054200 | STAMP Ø20,5 CR."L" LOTUS R. |
| 002 | | 533011500 | PILOT BURNER 2 FLAMES 220 |
| 002 | | 533045700 | THERMOCOUPLE M9*1 500 |
| 002 | | 537060300 | IGNITION CONTROL BOX 2F. V30 |
| 002 | | 537059500 | |
| 002 | | 537059600 | |
| 002 | | 533085200 | SPACER FOR PILOT PLUG |
| 002 | | 533010400 | BICONE D.6 |
| 002 | | 537008300 | ROUND PLUG §2,4- LONG ELECTRODE |
| 002 | | 533018600 | PLUG FITTING |
| 002 | | 547002600 | HIGH-VOLTAGE CABLE L=500 |
| 002 | | 533010900 | NUT M14*1 H.4 |
| 002 | | 537015601 | P.D.INTERR.IST.NERO FULMINE |
| 002 | | 537001701 | P.D.INTERR.LUM.VERDE 0 1 |
| 002 | | 533144900 | MALE FITTING WATER INLET M16X1,5 |
| 002 | | 531072600 | RACC.PORTAINIETT.90°CANN.Ø101/2G |
| 002 | | 533020800 | NOZZLE 0160-FLUSS. (25 |

| Page | Pos | Code | Description |
|------|-----|-----------|-------------------------------------|
| 002 | | 533020300 | NOZZLE 0160 (NATURAL GAS) 1-2 (41 |
| 002 | | 533030300 | NOZZLE §160 CH12*14 M-FPG |
| 002 | | 533014800 | NOZZLE §135 CH12*14,0 |
| 002 | | 533055300 | NOZZLE §235 CH12*14 |
| 002 | | 533055500 | NOZZLE §255 CH12*14 L-CP70 |
| 002 | | 533055400 | NOZZLE §245 CH12*14 |
| 003 | | 544389300 | CONTROP.73 SX APP. LT |
| 003 | | 531007600 | DOOR HINGE |
| 003 | | 544182501 | LEFT DOOR 73 |
| 003 | | 533094200 | S/S HANDLE FOR 70/90 SERIES |
| 003 | | 533035200 | HANDLE SPACER |
| 003 | | 536000200 | D.12 H.4 BUMPER |
| 003 | | 544389200 | CONTROP.73 DX APP. LT |
| 003 | | 544182401 | RIGHT DOOR 73 |
| 003 | | 544182101 | LEFT DOOR 74 |
| 003 | | 544389500 | INNER-DOOR OF LHD 74 |
| 003 | | 544389400 | CONTROP.74 DX APP. LT |
| 003 | | 544182001 | RIGHT DOOR 74 |
| 003 | | 544497000 | PORTA 72 SX |
| 003 | | 544497100 | CONTROP.72 SX APP. LT |
| 003 | | 544185101 | RIGHT DOOR 74 CF |
| 003 | | 533107100 | HANDLE SPACER OF CF-70 |
| 003 | | 544185500 | UPPER DOOR HINGE FOR COMPARTME CF70 |
| 003 | | 531000900 | MAGNET §22 KG.3 WITH DISK |
| 003 | | 544185201 | INNER DOOR * 74DX |
| 003 | | 544185400 | LOWER DOOR HINGE FOR COMPARTME CF70 |
| 003 | | 544663900 | LHD 74 DOOR FOR PCI |
| 003 | | 544663800 | 74 LHD OVEN INNER DOOR FOUR PCI |
| 003 | | 544662700 | DOOR 74 DX PCI |
| 003 | | 544662600 | CONTROP.74 DX APP. LT PCI |
| 004 | | 533010800 | TUBE NUT D.10 M16*1,5 |
| 004 | | 533155600 | PERNO PER SENSORE ACQUA |
| 004 | | 536039100 | GUIDA PER SENSORE ACQUA |
| 004 | | 536039000 | GUARNIZ.O-RING 12,42X1,78 SILIC. |
| 004 | | 536039200 | DISTANZIALE PER SENSORE ACQUA |
| 004 | | 533039300 | BICONE §10 |
| 004 | | 533159400 | RACC.UN.2 U.ELETTROV.ACQUA CP |
| 004 | | 533144500 | FITTING FOR WATER INPUT 3/4G |
| 004 | | 531037500 | RACCORD CA.H2O 1/2G CAN.D10 |
| 004 | | 533144900 | MALE FITTING WATER INLET M16X1,5 |
| 004 | | 533048700 | NUT 1/2G ZN |
| 004 | | 533048800 | GASKET §30*§21*2 FIBRE |
| 004 | | 533147000 | BICONE FITTING 3/4G ZN |
| 004 | | 533009500 | NIPPLE FOR BICONE 10S |
| 004 | | 533024400 | HEXAGONAL NUT 1/2G TUBE D.10 |
| 004 | | 537062900 | ELETTROV.A.3/4GM-2Ø10JG 230V RPV |
| 004 | | 537063800 | COIL ELECTROV.G.1/2GF 230V |
| 004 | | 533065700 | FITTING FOR WATER INPUT 1/2G |
| 004 | | 533148100 | RACC.A GOM.90° 1/2G F.M16X1,5M. (S |
| 004 | | 537063000 | ELETTROV.G.1/2GF-1/2GF 230V |
| 004 | | 539010900 | ADHESIVE LABEL FOR DRAIN COCK |

| Page | Pos | Code | Description |
|------|-----|-----------|-------------------------------------|
| 004 | | 533136001 | SCREW TAP WATER LOAD FOR CP S70/90 |
| 004 | | 539012000 | ADHESIVE LABEL FOR DRAIN COCK USA |
| 004 | | 539018800 | BLANK INDEX FOR KNOB |
| 004 | | 539063600 | ADHESIVE DISK 72 FOR DRAIN COCK |
| 004 | | 539063700 | ADHESIVE DISK 72 FOR DRAIN COCK USA |
| 004 | | 536034700 | KNOB §77 4P. §08*6,5 F§30 |
| 004 | | 539054200 | STAMP Ø20,5 CR."L" LOTUS R. |
| 004 | | 531037601 | TAP FOR WATER 90°DX CP |
| 004 | | 533136000 | SCREW TAP WATER LOAD FOR CP S70/90 |
| 004 | | 531037600 | TAP FOR WATER LOADING 1/2"GF CP 90 |