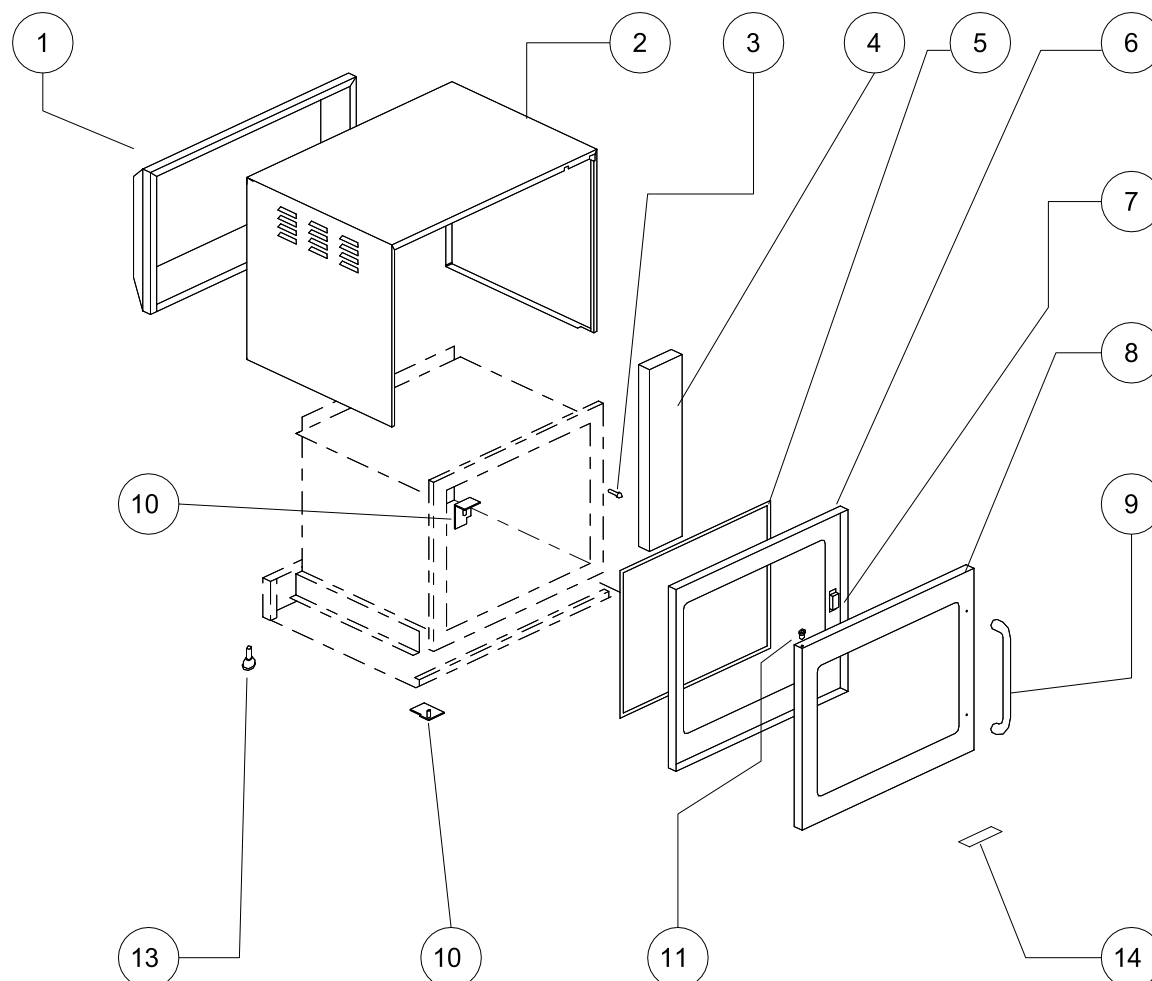


E7202S CONVECTION OVEN

SPARES INFORMATION - FITMENTS



Item	Spares No.	Description
1.	732910220	Outer Back Panel
2.	732910180	Outer Cover
3.	731910670	Door Keeper Stud
4.	732910310	Control Panel
5.	732910000	Door Seal
6.	732910030	Inner Door c/w Glass
7.	731910370	Door Catch

Item	Spares No.	Description
8.	732910020	Outer Door c/w Glass
9.	732910050	Door Handle
10.	732910070	Bottom Door Hinge
11.	732910040	Hinge Bush
12.	732910060	Top Door Hinge
13.	731910190	Foot
14.	732910280	Control Panel Hinge

Falcon Catering Equipment

HEAD OFFICE AND WORKS

PO Box 37, Foundry Loan, Larbert.
Stirlingshire. Scotland. FK5 4PL

SERVICE LINE CONTACT -

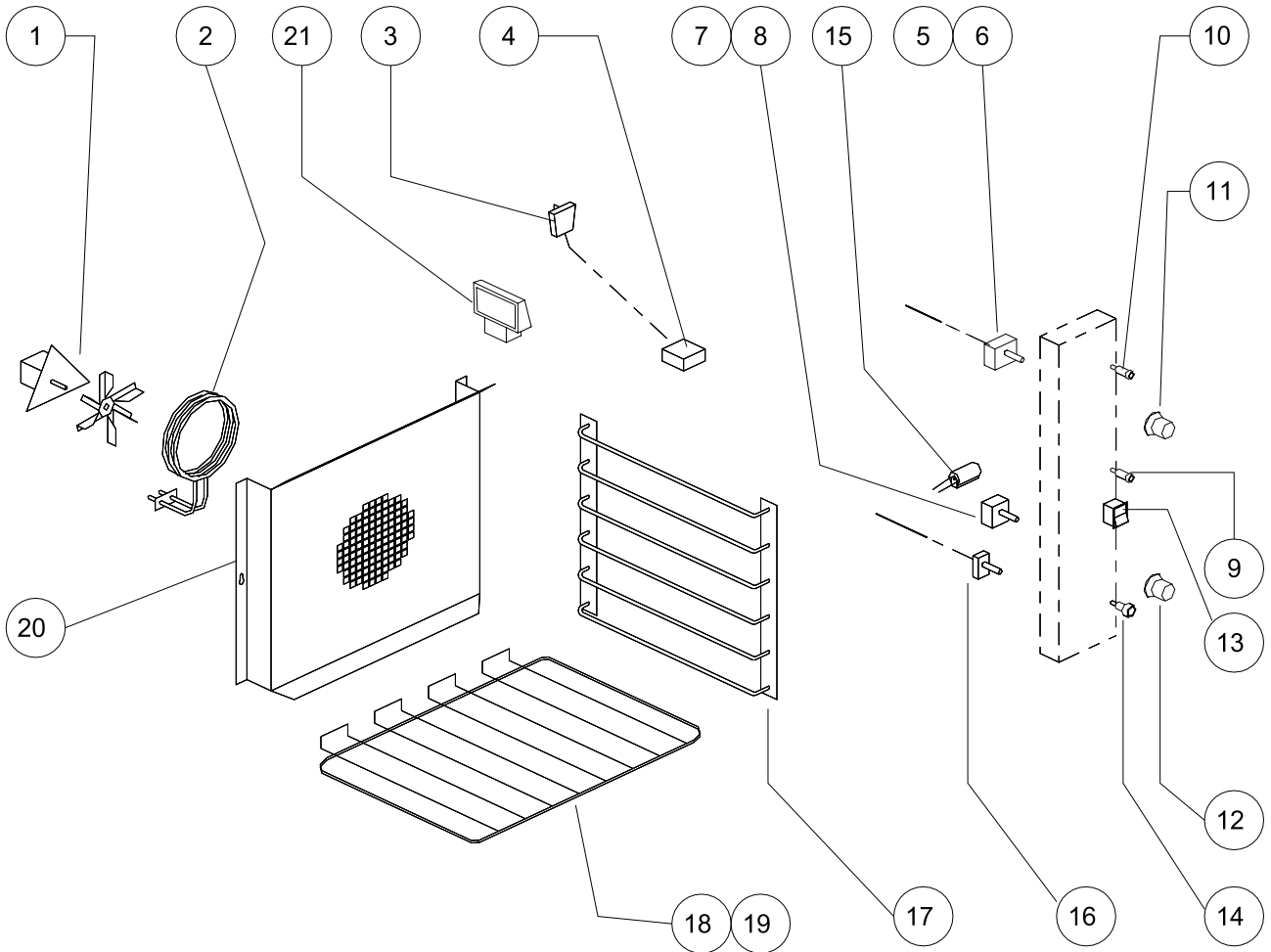
PHONE - 01438 751111

FAX - 01438 369900

RZZ 291 Ref. 1

E7202S SPARES INFORMATION

CONTROLS



Item	Spares No.	Description
1.	732910130	Oven Fan
2.	732910290	Oven Element
3.	732910200	Moulded Plug
4.	731910390	Terminal Block
5.	732910210	Operating Thermostat
6.	732910090	Operating T'stat c/w Knob
7.	731910460	Timer
8.	732910100	Timer c/w Knob
9.	732910110	Indicator Neon (Amber)
10.	732910120	Indicator Neon (Red)

Item	Spares No.	Description
11.	732910095	Knob for Operating T'stat
12.	732910105	Knob for Timer
13.	731910620	Rocker Switch
14.	731910320	Light Switch
15.	731910560	Buzzer
16.	732910080	Hold Thermostat
17.	732910160	Shelf Hanger
18.	732910330	Shelf (Heavy Duty)
19.	732910340	Shelf (Cranked)
20.	732910150	Back Baffle
21.	732910350	Oven Lamp