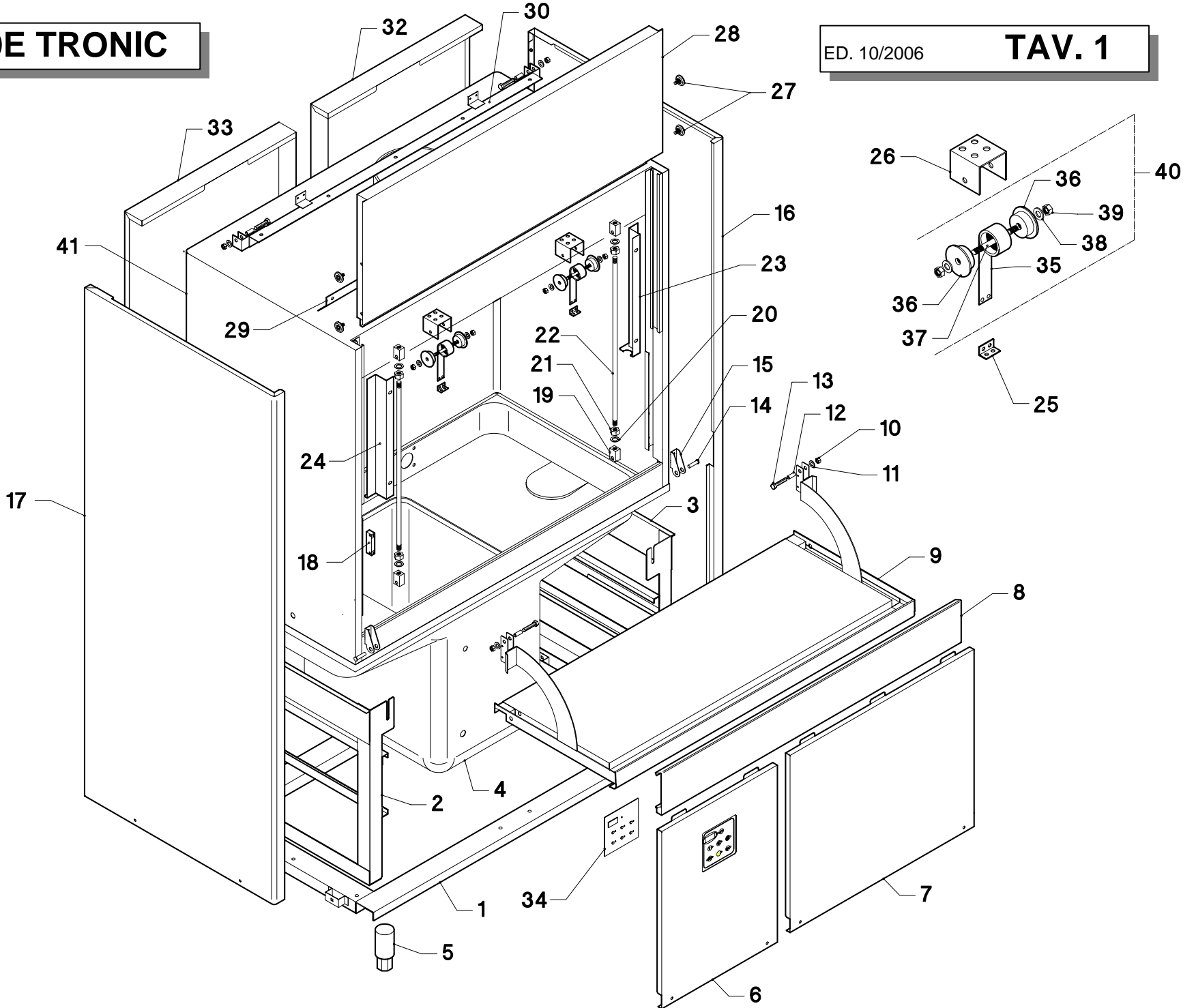
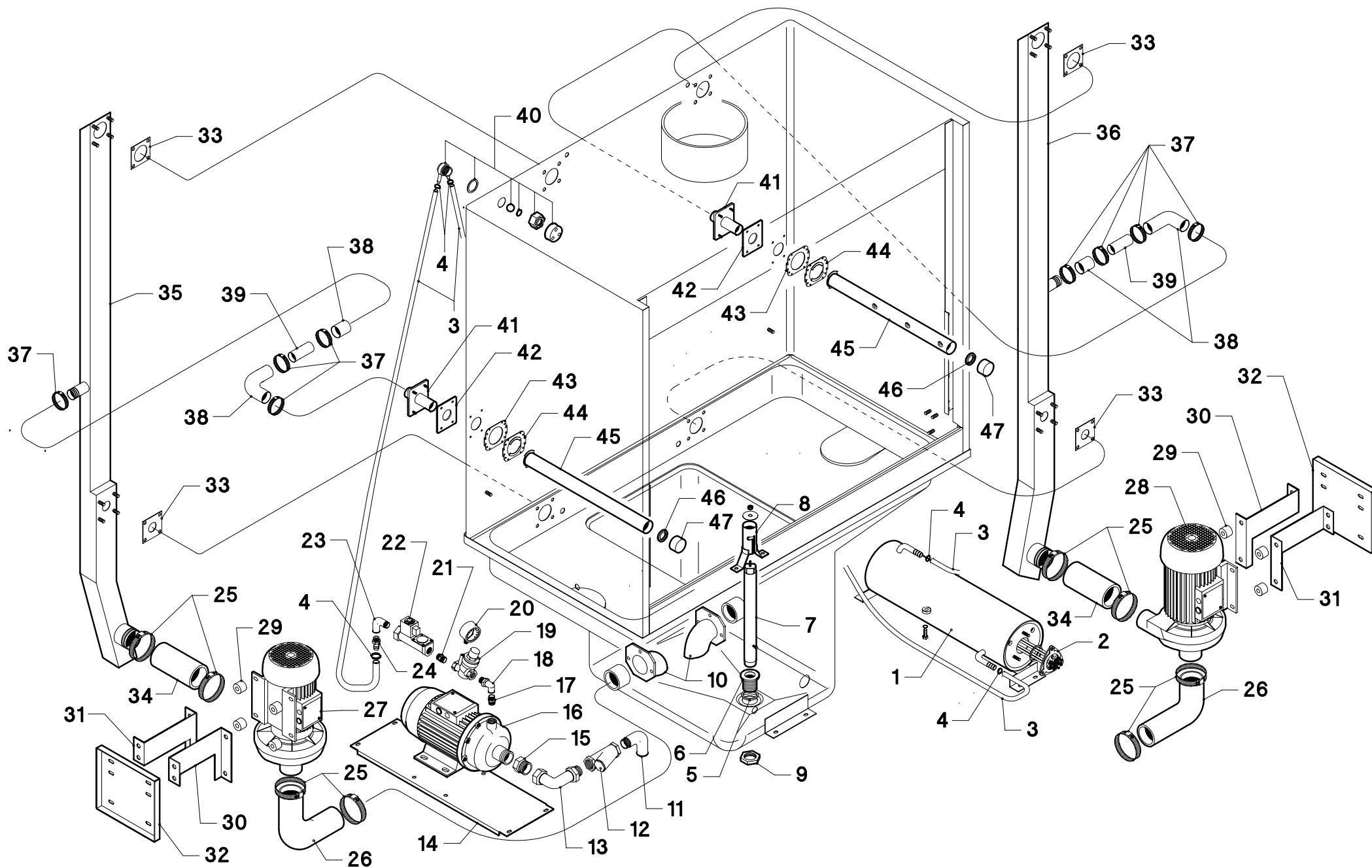


# LP 109E TRONIC

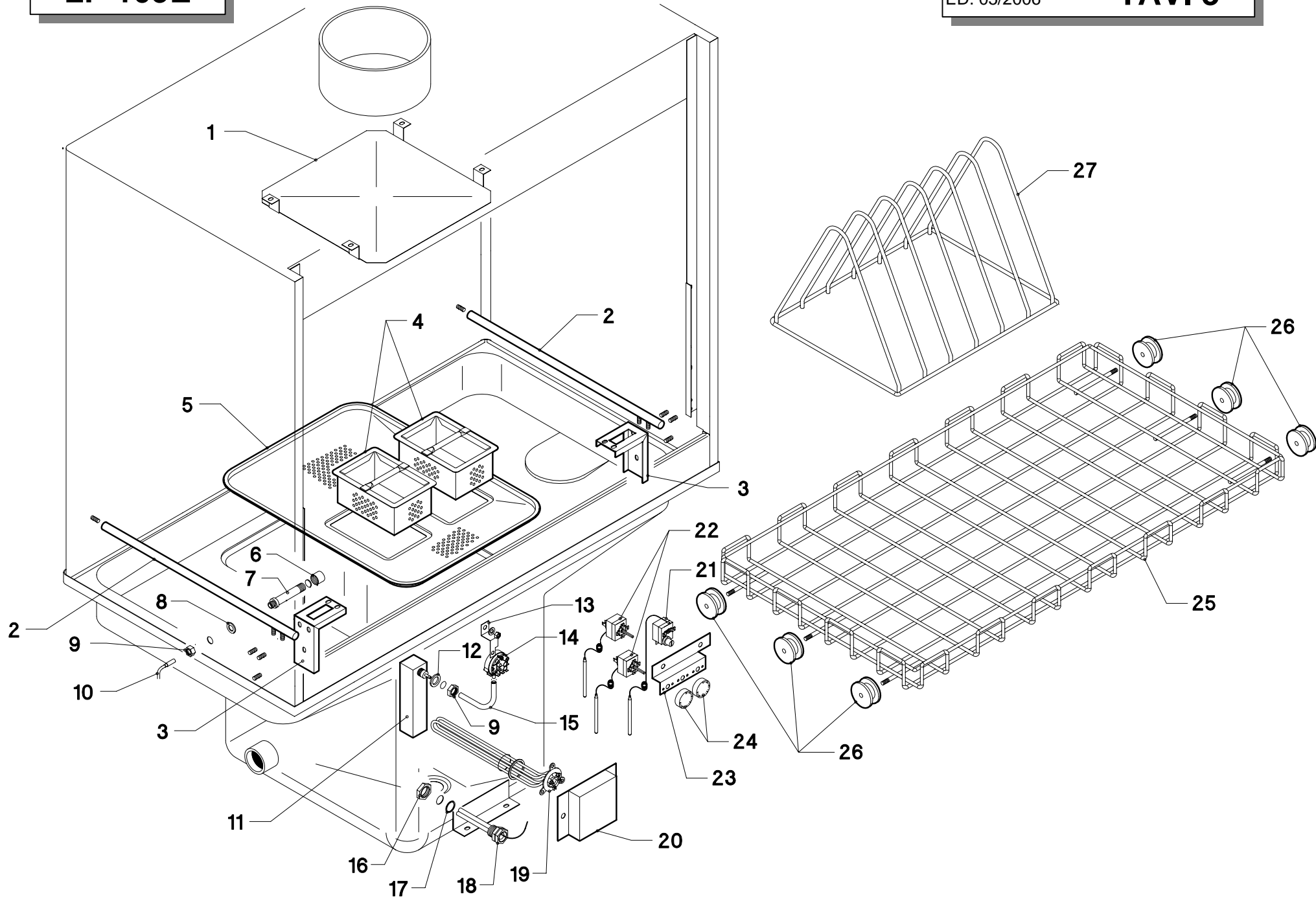


| Pos. | COD.   | Q.tà | DESCRIZIONE                  | DENOMINATION                    | DESCRIPTION                   | BEZEICHNUNG                      | DESCRIPCIÓN                   |
|------|--------|------|------------------------------|---------------------------------|-------------------------------|----------------------------------|-------------------------------|
| 1    | TR3654 | 1    | BASAMENTO                    | SOCLE                           | BASE                          | UNTERSTRUKTUR                    | BASE                          |
| 2    | TR3668 | 1    | SUPPORTO VASCA SX            | SUPPORT CUVE SX                 | TANK SUPPORT SX               | TANKHALTERUNG SX                 | SOPORTE PILETA SX             |
| 3    | TR3669 | 1    | SUPPORTO VASCA DX            | SUPPORT CUVE DX                 | TANK SUPPORT DX               | TANKHALTERUNG DX                 | SOPORTE PILETA DX             |
| 4    | TR3601 | 1    | VASCA                        | BASSIN                          | TANK                          | WANNE                            | BATEA                         |
| 5    | TR0295 | 4    | PIEDINO REGOLABILE           | PETIT PIED RÉGABLE              | RUBBER LEG                    | EINSTELLBARESOCKEL               | PIÉ REGULABLE                 |
| 6    | TR3705 | 1    | PANNELLO COMANDI             | TABLEAU COMMANDE                | CONTROL PANEL                 | SCHALTAFEL                       | PANEL DE COMANDO              |
| 7    | TR3703 | 1    | PANNELLO FRONTALE            | PANNEAU FRONTAL                 | FRONTAL PANEL                 | FRONT VERKLEIDUNG                | PANEL FRONTAL                 |
| 8    | TR3663 | 1    | PANNELLO FRONTALE SUPERIORE  | PANNEAU FRONTAL SUPÉRIEUR       | HIGHER FRONTAL PANEL          | FRONTALER VORGESETZTER           | PANEL FRONTAL SUPERIOR        |
| 9    | TR3664 | 1    | PORTA INFERIORE              | PORTE INFÉRIEUR                 | LOWER DOOR                    | UNTERER TÜR                      | PUERTA INFERIOR               |
| 10   | 902019 | 2    | DADO M8 AUTOBLOCCANTE        | ECROU AUTO-BLOQUANT             | SELF-LOCKING NUT              | SELBSTSICHERNDE MUTTER           | TUERCA AUTOBLOQUEANTE         |
| 11   | 906040 | 2    | RONDELLA PIANA Ø8            | RONDELLE                        | WASHER                        | UNTERLEGSSCHEIBE                 | ARANDELA                      |
| 12   | TR0930 | 2    | TUBETTO PASSANTE             | TUYAU                           | PIPE                          | ROHR                             | TUBITO PASANTE                |
| 13   | 907835 | 2    | VITE T.E. M8x40              | VIS                             | SCREW                         | SCHRAUBE                         | TORNILLO                      |
| 14   | TR2446 | 2    | PERNO PORTA                  | TOURILLON DE LA PORTE           | DOOR PIN                      | TÜRSCHARNIERESTIFT               | PERNO PUERTA                  |
| 15   | TR3632 | 2    | CERNIERA                     | PATTE                           | DOOR SUPPORT                  | SCHARNIER                        | BISAGRA                       |
| 16   | TR3661 | 1    | PANNELLO LATERALE DX         | PANNEAU DROITE                  | RIGHT PANEL                   | RECHTE VERKLEIDUNG               | PANEL DERECHO LATERAL         |
| 17   | TR3515 | 1    | PANNELLO LATERALE SX         | PANNEAU GAUCHE                  | LEFT PANEL                    | LINKE VERKLEIDUNG                | PANEL IZQUIERDO LATERAL       |
| 18   | TR0220 | 1    | CUSTODIA CON MAGNETE         | PROTECTION MAGNETO              | COVER MAGNET                  | MAGNETSCHUTZ                     | ESTUCHE CON IMÁN              |
| 19   | TR0931 | 4    | BLOCCHETTO TIRANTE PORTA     | BLOC TIRANT DE LA PORTE         | DOOR STAY BAR BLOCK           | BLOCK TÜRSTANGE                  | BLOQUE VARILLA DE LA PUERTA   |
| 20   | 905941 | 4    | RONDELLA GROWER Ø10          | RONDELLE                        | WASHER                        | UNTERLEGSSCHEIBE                 | ARANDELA GROWER               |
| 21   | 902022 | 4    | DADO M10                     | ECROU                           | NUT                           | MUTTER                           | TUERCA                        |
| 22   | TR0929 | 2    | TIRANTE PORTA                | TIRANT DE LA PORTE              | DOOR STAY BAR                 | TÜRSTANGE                        | VARILLA DE LA PUERTA          |
| 23   | TR3670 | 1    | PARASPRUZZI DX               | GARDE-JETS DROITE               | RIGHT SPRAY-GUARD             | RECHTE SPRITZSCHUTZ              | SALPICADERO DERECHO           |
| 24   | TR3690 | 1    | PARASPRUZZI SX               | GARDE-JETS GAUCHE               | LEFT SPRAY-GUARD              | LINKE SPRITZSCHUTZ               | SALPICADERO IZQUIERDO         |
| 25   | TR0615 | 2    | AGGANCIO MOLLA               | CROCHET RESSORT                 | SPRING HOOKING                | KUPPLUNGFEDER                    | ENGANCHE RESORTE              |
| 26   | TR2008 | 2    | SQUADR. FISSAGGIO MOLLA      | EQUERRE POUR RESSORT            | SPRING SUPPORT                | FEDER TRÄGER                     | ANGULAR FIJADORESORTE         |
| 27   | 908704 | 4    | CUSCINETTO CON PERNO         | ROULEMENT                       | BEARING                       | LAGER                            | COJINETE                      |
| 28   | TR3666 | 1    | PORTA SUPERIORE              | PORTE SUPERIEUR                 | UPPER DOOR                    | OBERER TÜR                       | PUERTA SUPERIOR               |
| 29   | TR3375 | 1    | TEGOLINO PARASPRUZZI         | GARDE-JETS                      | SPRAY-GUARD                   | SPRITZSCHUTZ                     | SALPICADERO                   |
| 30   | TR3376 | 1    | TRAVERSA SUPPORTO MOLLE      | SUPPORT RESSORT                 | SPRINGS SUPPORT               | FRÜHLINGE UNTERSTÜTZUNG          | SOPORTE RESORTE               |
| 31   | TR3655 | 1    | CAPOTE COMPLETA              | CAPOTE                          | HOOD                          | GEHAUSE                          | CAPOTE                        |
| 32   | TR3659 | 1    | PANNELLO POSTERIORE DX       | PANNEAU POSTERIEUR DROITE       | RIGHT BACK PANEL              | RECHTE HINTERE VERKLEIDUNG       | PANEL DERECHO POSTERIOR       |
| 33   | TR3660 | 1    | PANNELLO POSTERIORE SX       | PANNEAU POSTERIEUR GAUCHE       | LEFT BACK PANEL               | LINKE HINTERE VERKLEIDUNG        | PANEL IZQUIERDO POSTERIOR     |
| 34   | 909011 | 1    | SCHEDA COMANDI               | FICHE COMMANDE                  | CONTROL CARD                  | KONTROLLKARTE                    | FICHA PEDIDO                  |
| 35   | TR1859 | 2    | MOLLA                        | RESSORT                         | SPRING                        | FEDER                            | RESORTE                       |
| 36   | TR0999 | 4    | SUPP. SCORRIMENTO MOLLA      | SUPPORT POUR RESSORT            | SPRING SUPPORT                | FEDER TRÄGER                     | SOP. DESLIZAMIENTO RESORTE    |
| 37   | 956054 | 2    | PERNO AGGANCIO MOLLA         | PIVOT RESSORT                   | SPRING PIN                    | ZAPFEN FEDER                     | PERNO RESORTE                 |
| 38   | 906050 | 4    | RONDELLA PIANA               | RONDELLE                        | WASHER                        | UNTERLEGSSCHEIBE                 | ARANDELA                      |
| 39   | 902019 | 4    | DADO M8 AUTOBLOCCANTE        | ECROU AUTO-BLOQUANT             | SELF-LOCKING NUT              | SELBSTSICHERNDE MUTTER           | TUERCA AUTOBLOQUEANTE         |
| 40   | TR1863 | 2    | SUPP. CON MOLLA PORTA COMPL. | SUPP. AVEC RESSORT PORTE COMPL. | SUPP. WITH DOOR SPRING COMPL. | TRÄGER MIT FEDER TÜR VOLLSTÄNDIG | SOP. CON RESORTE PUERTA COMP. |
| 41   | TR3655 | 1    | CAPOTE COMPLETA              | CAPOTE                          | HOOD                          | GEHAUSE                          | CAPOTE                        |



| Pos. | COD.   | Q.tà | DESCRIZIONE            | DENOMINATION         | DESCRIPTION             | BEZEICHNUNG         | DESCRIPCIÓN             |
|------|--------|------|------------------------|----------------------|-------------------------|---------------------|-------------------------|
| 1    | TR1090 | 1    | BOILER                 | CHAUFFE EAU          | BOILER                  | HEISSWASSERSPEICHER | BOILER                  |
| 2    | TR0347 | 1    | RESISTENZA             | RESISTANCE           | HEATING ELEMENT         | HEIZKÖRPER          | RESISTENCIA             |
| 3    | 907350 | 3    | TUBO GOMMA 12x22       | TUYAU EN CAOUTCHOUC  | RUBBER HOSE             | GUMMISCHLAUCH       | TUBO GOMA               |
| 4    | 902450 | 5    | FASCETTA Ø 12÷24       | COLLIER              | CLAMP                   | SHELLE              | ABRAZADERA              |
| 5    | 904380 | 1    | O-RING                 | O-RING               | O-RING                  | O-RING              | O-RING                  |
| 6    | 905450 | 1    | RACCORDO SCARICO       | RACCORD DÉCHARGÉ     | PIPE FITTING FOR OUTLET | ABLAUFANSCHLUSS     | EMPALME DESAGOTE        |
| 7    | TR0939 | 1    | TROPPO PIENO           | NIVEAU               | OVER FLOW               | VEBERLAUF           | DAMISIADO LLENO         |
| 8    | TR0933 | 1    | GUIDA TROPPOPIENO      | COULISSE NIVEAU      | OVER FLOW GUIDE         | UBERLAUFROHR KORB   | GUIA DEMASIADOLLENO     |
| 9    | 902080 | 1    | GHIERA 1" ¼            | VIROLE               | LOCK NUT                | NUT MUTTER          | ABRAZADERA              |
| 10   | TR0977 | 2    | RACCORDO ASPIRAZIONE   | RACCORD D'ASPIRATION | INTAKE PIPE FITTING     | ANSAUGANSCHLUSSE    | EMPALME DE ASPIRACIÓN   |
| 11   | TR2422 | 1    | GOMITO 1" GAS          | RACCORD              | PIPE FITTING            | ANSCHLUSSE          | EMPALME CODO            |
| 12   | TR0121 | 1    | FILTRO 1"              | FILTRE               | FILTER                  | FILTER              | FILTRO                  |
| 13   | TR2330 | 1    | BOCCHETTONE 1" GAS     | GOULOTTE             | PIPE UNION              | STUTZEN             | RAMPA DE DESAGÜE RECTO  |
| 14   | TR3657 | 1    | SUPPORTO POMPA         | SUPPORT POMPE        | PUMP SUPPORT            | PUMPE TRÄGER        | SOPORTE BOMBA           |
| 15   | TR2361 | 1    | RIDUZIONE 1" - 1/4"    | REDUCTION            | REDUCTION               | VERMINDERUNG        | TUBO CINC               |
| 16   | 902360 | 1    | POMPA                  | POMPE                | PUMP                    | PUMPE               | BOMBA                   |
| 17   | TR2369 | 1    | RIDUZIONE 1" - 1/2"    | REDUCTION            | REDUCTION               | VERMINDERUNG        | TUBO CINC               |
| 18   | TR2329 | 1    | BOCCHETTONE CURVO ½"   | GOULOTTE             | PIPE UNION              | STUTZEN             | RAMPA DE DESAGÜE CURVO  |
| 19   | TR0371 | 1    | RIDUTTORE DI PRESSIONE | REDUCTEUR            | PRESSURE REDUCER        | DRUCKMINDERER       | REDUCTOR DE PRECIÓN     |
| 20   | TR0244 | 1    | MANOMETRO              | MANOMETRE REDUCTEUR  | PRESSURE GANGE          | DRUCK MESSER        | MANÓMETRO               |
| 21   | TR2347 | 2    | NIPPLO RIDOTTO         | NIPPLES              | NIPPLE                  | NIPPLE              | NIPLE REDUCCIÓN         |
| 22   | TR0090 | 1    | ELETTROVALVOLA         | SOUPAPE ELECTRIQUE   | ELECTRIC VALVE          | ELEKTROVENTIL       | VALVULA ELETTRICA       |
| 23   | TR2421 | 1    | GOMITO 3/4"            | RACCORD              | PIPE FITTING            | ANSCHLUSSE          | EMPALME CODO            |
| 24   | 907940 | 1    | PORTAGOMMA 3/4" PAP    | RACCORD              | HOSE BARB               | ANSCHLUSS           | GOME PARA PUERTA        |
| 25   | 902490 | 8    | FASCETTA Ø 58÷75       | COLLIER              | CLAMP                   | SHELLE              | ABRAZADERA              |
| 26   | 903701 | 2    | MANICOTTO ASPIRAZIONE  | MANCHON D'ASPIRATION | INLET MUFF              | ANSAUGMUFFE         | PALANCA DE ASPIRACIÓN   |
| 27   | TR0079 | 1    | POMPA 2 KW SX          | POMPE GAUCHE         | LEFT PUMP               | LINKE PUMPE         | BOMBA IZQUIERDA         |
| 28   | TR0080 | 1    | POMPA 2 KW DX          | POMPE DROITE         | RIGHT PUMP              | RECHTE PUMPE        | BOMBA DERECHA           |
| 29   | 905015 | 8    | AMMORTIZZATORI         | AMORTISSEURS         | SHOCK ABSORBERS         | STOSSDÄMPFER        | AMORTIGUADORES          |
| 30   | TR3373 | 2    | SUPPORTO POMPA DX      | SUPPORT POMPE DROITE | RIGHT PUMP SUPPORT      | RECHTE PUMPE TRÄGER | SOPORTE BOMBA DERECHO   |
| 31   | TR3374 | 2    | SUPPORTO POMPA SX      | SUPPORT POMPE GAUCHE | LEFT PUMP SUPPORT       | LINKE PUMPE TRÄGER  | SOPORTE BOMBA IZQUIERDO |
| 32   | TR0630 | 2    | SUPPORTO POMPA         | SUPPORT POMPE        | PUMP SUPPORT            | PUMPE TRÄGER        | SOPORTE BOMBA           |
| 33   | 903381 | 8    | GUARNIZIONE            | JOINT                | GASKET                  | DICHTUNG            | GUARNICIÓN              |

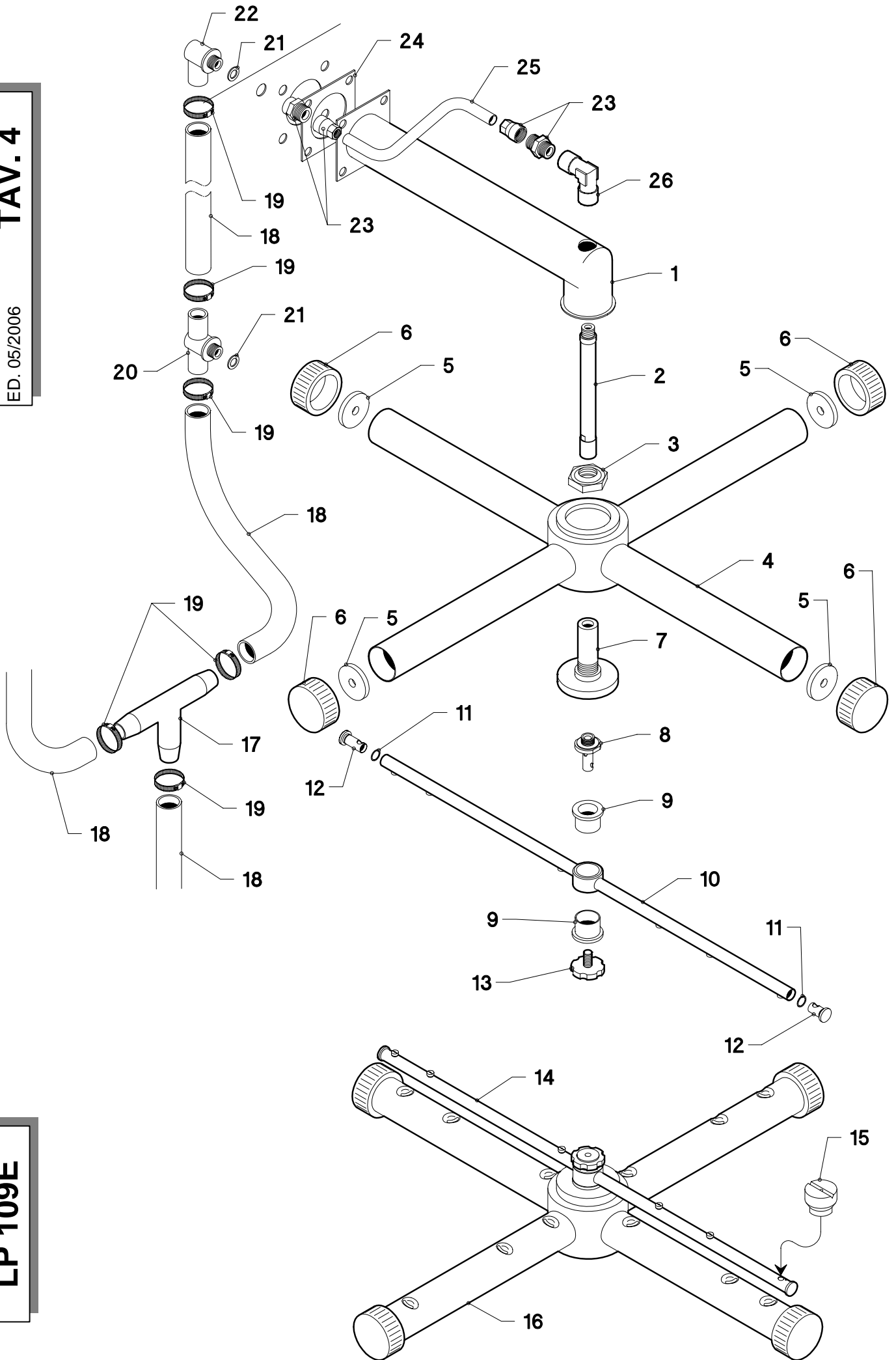
| <b>Pos.</b> | <b>COD.</b> | <b>Q.tà</b> | <b>DESCRIZIONE</b>            | <b>DENOMINATION</b>          | <b>DESCRIPTION</b>           | <b>BEZEICHNUNG</b>   | <b>DESCRIPCIÓN</b>        |
|-------------|-------------|-------------|-------------------------------|------------------------------|------------------------------|----------------------|---------------------------|
| 34          | TR0710      | 2           | MANICOTTO MANDATA             | MANCHON DE REFAULEM.         | OUTLET ELBOW                 | AUSLAMUFFE           | PALANCA DE MANDO          |
| 35          | TR3686      | 1           | COLONNA LAVAGGIO DX           | COLONNE DE LAVAGE DROITE     | RIGHT WASHING PIPE           | RECHTE SPÜLUNG SAÜLE | COLUMNNA LAVADO DERECHO   |
| 36          | TR3687      | 1           | COLONNA LAVAGGIO SX           | COLONNE DE LAVAGE GAUCHE     | LEFT WASHING PIPE            | LINKE SPÜLUNG SAÜLE  | COLUMNNA LAVADO IZQUIERDA |
| 37          | 902460      | 8           | FASCETTA Ø 26+38              | COLLIER                      | CLAMP                        | SHELLE               | ABRAZADERA                |
| 38          | 903851      | 2           | MANICOTTO                     | MANCHON                      | SLEEVE                       | MUFFE                | PALANCA                   |
| 39          | 950020      | 2           | TUBO INOX Ø28x1               | TUYAU INOX                   | INOX PIPE                    | SCHLAUCH INOX        | TUBO INOX                 |
| 40          | TR2433      | 1           | VALVOLA ANTIRIFLUSSO          | VALVE                        | VALVE                        | VENTIL               | VALVULA                   |
| 41          | TR3647      | 2           | SUPP. BRACCIO LAVAGGIO LATER. | SUPP. BRAS DE LAVAGE LATERAL | LATERAL WASHING PIPE SUPPORT | SPÜLUNGSÄULE TRÄGER  | SOP. BRAZO LAVADO LATERAL |
| 42          | TR3571      | 2           | GUARNIZIONE                   | JOINT                        | GASKET                       | DICHTUNG             | GUARNICIÓN                |
| 43          | TR2090      | 2           | FLANGIA                       | FLASQUE                      | FLANGE                       | FLANSCH              | BRIDA                     |
| 44          | TR2091      | 2           | CONTROFLANGIA                 | CONTRE-BRIDE                 | FLANGE COUPLING              | GEGENFLANSCH         | CONTROBRIDA               |
| 45          | TR3513      | 2           | BRACCIO LAVAGGIO LATERALE     | BRAS DE LAVAGE LATERAL       | LATERAL WASHING PIPE         | SPÜLUNGSÄULE         | BRAZO LAVADO LATERAL      |
| 46          | 903404      | 2           | GUARNIZIONE                   | JOINT                        | GASKET                       | DICHTUNG             | GUARNICIÓN                |
| 47          | TR3230      | 2           | TAPPO                         | BOUCHON                      | PLUG                         | PROPFEN              | TAPÓN                     |



| <b>Pos.</b> | <b>COD.</b> | <b>Q.tà</b> | <b>DESCRIZIONE</b>      | <b>DENOMINATION</b>   | <b>DESCRIPTION</b>      | <b>BEZEICHNUNG</b>   | <b>DESCRIPCIÓN</b>      |
|-------------|-------------|-------------|-------------------------|-----------------------|-------------------------|----------------------|-------------------------|
| 1           | TR0922      | 1           | PARASPRUZZI             | GARDE-JETS            | SPRAY-GUARD             | SPRITZSCHUTZ         | SALPICADERO             |
| 2           | TR3656      | 2           | GUIDA PORTACESTELLO     | COULISSE PANIER       | BASKET GUIDE            | KORBÜFHRUNG          | GUIA CESTO              |
| 3           | 955784      | 2           | SUPPORTO GUIDA CESTELLO | SUPPORT PANIER        | BASKET SUPPORT          | KORBÜFHRUNG TRÄGER   | SOPORTE GUIA CESTO      |
| 4           | 906704      | 1           | FILTRO A CASSETTO       | TIROIR FILTRE         | DRAWER FILTER           | FACH-FILTER          | FILTRO A CAJÓN          |
| 5           | TR3602      | 1           | FILTRO VASCA            | FILTRE BASSIN         | TANK FILTER             | FILTER WANNE         | FILTRO BATEA            |
| 6           | 906453      | 1           | TAPPO                   | BOUCHON               | PLUG                    | PROPFEN              | TAPÓN                   |
| 7           | TR0995      | 1           | MICRO PORTA             | MICRO PORTE           | MICRO SWITCH            | MICROSCHALTER        | MICRO PUERTA            |
| 8           | 904330      | 1           | O-RING                  | O-RING                | O-RING                  | O-RING               | O-RING                  |
| 9           | 902100      | 2           | DADO 3/8"               | ECROU                 | NUT                     | MUTTER               | TUERCA                  |
| 10          | TR0309      | 1           | REED MAGNETICO          | REED                  | REED                    | REED                 | REED MAGNÉTICO          |
| 11          | TR0935      | 1           | TRAPPOLA ARIA           | RESERVOIR AIR         | AIR TRAP                | LUFTFALLE            | TRAMPA DEL AIRE         |
| 12          | 903260      | 1           | GUARNIZIONE             | JOINT                 | GASKET                  | DICHTUNG             | GUARNICIÓN              |
| 13          | 906399      | 1           | SQUADRETTA PRESSOSTATO  | EQUERRE PRESSOSTAT    | PRESSURE SWITCH BRACKET | WINKEL DRUCHWAECHTER | ANGULAR PRESÓSTATO      |
| 14          | 905276      | 1           | PRESSOSTATO 30 - 160    | PRESSOSTAT            | PRESSURE SWITCH         | DRUCHWAECHTE         | PRESOSTATO              |
| 15          | 907271      | 1           | TUBO PRESSOSTATO        | TUYAU PRESSOSTAT      | PRESSURE SWITCH PIPE    | SCHLAUCH             | TUBO PRESÓSTATO         |
| 16          | 902061      | 1           | GHIERA 1/2"             | VIROLE                | LOCK NUT                | NUT MUTTER           | ABRAZADERA              |
| 17          | 903250      | 1           | GUARNIZIONE 1/2"        | JOINT                 | GASKET                  | DICHTUNG             | GUARNICIÓN              |
| 18          | TR0298      | 1           | PORTABULBO              | SIEGE DE BULBE        | SEATING BULB            | KUGEL SITZ           | PORTABULBO              |
| 19          | TR0335      | 1           | RESISTENZA              | RESISTANCE            | HEATING ELEMENT         | HEIZKÖRPER           | RESISTENCIA             |
| 20          | TR1037      | 1           | COPRIRESISTENZA         | PROTECTION RESISTANCE | HEATING COVER           | HEIZKÖRPER SCHUTZ    | CUBRE RESISTENCIA       |
| 21          | 907125      | 1           | TERMOSTATO DI SICUREZZA | THERMOSTAT            | THERMOSTAT              | THERMOSTAT           | TERMÓSTATO DE SEGURIDAD |
| 22          | TR0440      | 2           | TERMOSTATO 0°-90°       | THERMOSTAT            | THERMOSTAT              | THERMOSTAT           | TERMÓSTATO              |
| 23          | TR3371      | 1           | SQUADRETTA TERMOSTATI   | EQUERRE THERMOSTAT    | THERMOSTAT BRACKET      | WINKEL THERMOSTAT    | ANGULAR TERMÓSTATO      |
| 24          | 903982      | 2           | MANOPOLA                | BOUTON                | KNOB                    | KNOPF                | EMPUÑADURA              |
| 25          | TR1126      | 1           | CESTELLO                | PANIER                | BASKET                  | KORB                 | CESTO                   |
| 26          | TR0984      | 6           | RUOTA CESTELLO          | ROUE POUR PANIER      | BASKET WHEEL            | RÄDCHEN              | RUEDA CESTO             |
| 27          | TR0926      | 1           | PORTATEGLIE             | ÉGUTTOIR              | PLATE RACK              | BRETT                | PORTA TORTERA           |

# TAV. 4

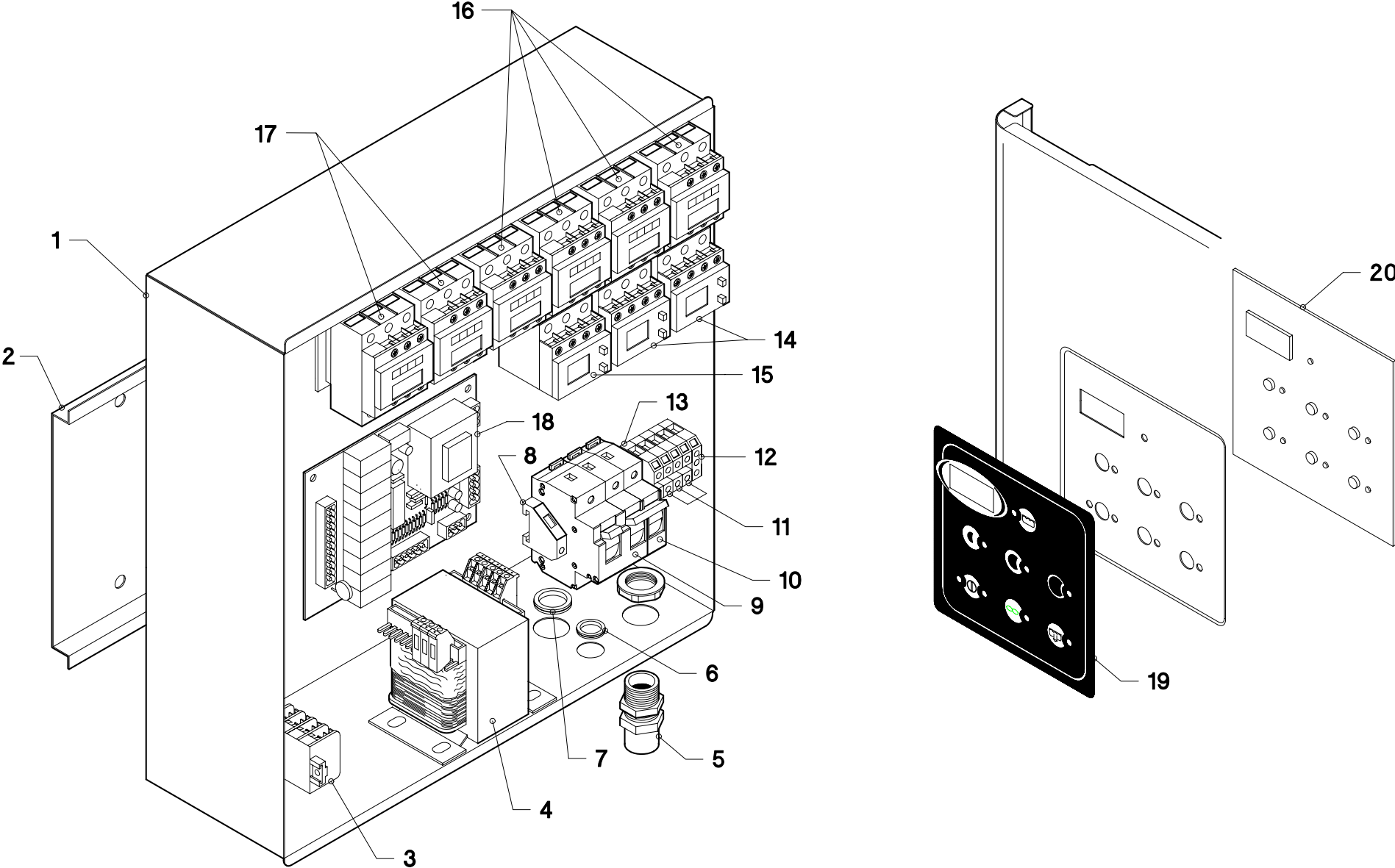
ED. 05/2006



# LP 109E



| Pos. | COD.   | Q.tà | DESCRIZIONE                | DENOMINATION           | DESCRIPTION        | BEZEICHNUNG         | DESCRIPCIÓN             |
|------|--------|------|----------------------------|------------------------|--------------------|---------------------|-------------------------|
| 1    | 908732 | 4    | BRACCIO LAVAGGIO           | BRAS DE LAVAGE         | WASHING ARM        | WASCHLAUFRAD        | BRAZO LAVADO            |
| 2    | 908735 | 4    | PERNO GIRANTE RISCIAQUO    | TOURILLON DE RINÇAGE   | RINSE PIN          | SPÜLLSTIFT          | PERNO ENJUAGUE          |
| 3    | 902890 | 4    | GHIERA BLOCCAGGIO          | FRETTE DE BLOCAGE      | RING-NUT           | KLEMMUTTER          | ABRAZADERA BLOQUEO      |
| 4    | TR0994 | 4    | GIRANTE LAVAGGIO           | BRAS DE LAVAGE         | WASH ARM           | SPÜLLARM            | RODETE LAVADO           |
| 5    | TR2051 | 16   | GUARNIZIONE                | JOINT                  | GASKET             | DICHTUNG            | GUARNICIÓN              |
| 6    | TR3230 | 16   | TAPPO PER BRACCIO LAVAGGIO | BOUCHON BRAS DE LAVAGE | PLUG FOR WASH ARM  | VERSCHLUSS SPÜLLARM | TAPÓN PARA BRAZO LAVADO |
| 7    | 904281 | 4    | MOZZO GIRANTE LAVAGGIO     | MOYEU                  | HUB                | NABE                | BUJE RODETE LAVADO      |
| 8    | 904762 | 4    | PERNO RISCIAQUO            | TOURILLON DE RINÇAGE   | RINSE PIN          | SPÜLLSTIFT          | PERNO ENJUAGUE          |
| 9    | 900530 | 8    | BUSSOLA                    | DOUILLE                | BUSH               | BUCHSE              | BRÚJULA                 |
| 10   | TR0894 | 4    | GIRANTE RISCIAQUO          | BRAS DE RINÇAGE        | RINSE ARM          | SPÜLLSTIFT          | RODETE ENJUAGUE         |
| 11   | 904321 | 8    | O-RING                     | O-RING                 | O-RING             | O-RING              | O-RING                  |
| 12   | 906450 | 8    | TAPPO                      | BOUCHON                | PLUG               | PROPfen             | TAPÓN                   |
| 13   | 902892 | 4    | GHIERA BLOCCAGGIO          | FRETTE DE BLOCAGE      | RING-NUT           | KLEMMUTTER          | ABRAZADERA BLOQUEO      |
| 14   | TR0902 | 4    | GIRANTE RISCIAQUO COMP.    | BRAS DE RINÇAGE COMPL. | COMPL. RINSE ARM   | SPÜLLSTIFT KOMPL.   | RODETE ENJUAGUE COMP.   |
| 15   | TR0003 | 24   | GETTO RISCIAQUO            | JET DE RINÇAGE         | RINSING JET        | SPÜLLDUSE           | CHORRO ENJUAGUE         |
| 16   | TR0997 | 4    | GIRANTE LAVAGGIO COMP.     | BRAS DE LAVAGE COMPL.  | COMPL. WASH ARM    | SPÜLLARM KOMPL.     | RODETE LAVADO COMPL.    |
| 17   | 905382 | 1    | RACCORDO A "T"             | RACCORD                | PIPE FITTING       | ANSCHLUSSE          | EMPALME                 |
| 18   | 907350 | 5    | TUBO GOMMA 12x22           | TUYAU EN CAOUTCHOUC    | RUBBER HOSE        | GUMMISCHLAUCH       | TUBO GOMA               |
| 19   | 902450 | 9    | FASCETTA Ø 12÷24           | COLLIER                | CLAMP              | SHELLE              | ABRAZADERA              |
| 20   | 905407 | 2    | RACCORDO RISCIAQUO         | RACCORD DE RINÇAGE     | RINSE PIPE FITTING | ANSCHLUSSE          | EMPALME ENJUAGUE        |
| 21   | 904330 | 4    | O-RING                     | O-RING                 | O-RING             | O-RING              | O-RING                  |
| 22   | 907933 | 2    | RACCORDO RISCIAQUO         | RACCORD DE RINÇAGE     | RINSE PIPE FITTING | ANSCHLUSSE          | EMPALME ENJUAGUE        |
| 23   | 908121 | 8    | RACCORDO CON OGIVA         | RACCORD                | PIPE FITTING       | ANSCHLUSSE          | EMPALME                 |
| 24   | 903381 | 4    | GUARNIZIONE                | JOINT                  | GASKET             | DICHTUNG            | GUARNICIÓN              |
| 25   | 908888 | 4    | TUBO Ø10x8 FORAFLON        | TUYAU                  | PIPE               | SCHLAUCH            | TUBO                    |
| 26   | 908120 | 4    | RACCORDO A GOMITO          | RACCORD                | PIPE FITTING       | ANSCHLUSS           | EMPALME A CODO          |



| Pos. | COD.   | Q.tà | DESCRIZIONE                  | DENOMINATION               | DESCRIPTION    | BEZEICHNUNG          | DESCRIPCIÓN           |
|------|--------|------|------------------------------|----------------------------|----------------|----------------------|-----------------------|
| 1    | TR3658 | 1    | CASSETTA ELETTRICA           | BOITE ELECTRIQUE           | CABINET        | SCHALTKASTEN         | CAJA ELÉCTRICA        |
| 2    | TR3372 | 1    | GUIDA PER CASSETTA ELETTRICA | RAIL POUR BOITE ELECTRIQUE | CABINET TRACK  | FÜHRUNG SCHALTKASTEN | GUIA CAJA ELÉCTRICA   |
| 3    | 955068 | 1    | MORSETTO PA80                | BORNE                      | TERMINAL       | KLEMMLEISTE          | GRAMPA                |
| 4    | TR0410 | 1    | TRASFORMATORE 160 V/A        | TRANSFORMATEUR             | TRANSFORMER    | TRANSFORMATOR        | TRASFORMADOR          |
| 5    | TR0139 | 1    | PRESSACAPO PG. 21            | FIXAGE DU CABLE D'ALIM.    | FIXING CABLE   | KABELBEFESTIGER      | PRESACAPO             |
| 6    | 904720 | 1    | PASSACAPO                    | CHAUMARD                   | FAIRLEAD       | KABELDURCHGANG       | AISLADOR              |
| 7    | 904721 | 1    | PASSACAPO                    | CHAUMARD                   | FAIRLEAD       | KABELDURCHGANG       | AISLADOR              |
| 8    | 904175 | 1    | FERMA MORSETTO               | ARRÊTÉE BORNE              | TERMINAL BLOCK | KLEMMENBLOCK         | BLOQUE GRAMPA         |
| 9    | TR0222 | 1    | INTERRUTTORE BIPOLARE 4A     | INTERRUPTEUR 4A            | SWITCH         | DRUKKNOPF            | INTERRUPTOR           |
| 10   | TR0219 | 1    | INTERRUTTORE UNIPOLARE 10A   | INTERRUPTEUR 10A           | SWITCH         | DRUKKNOPF            | INTERRUPTOR           |
| 11   | 904166 | 3    | MORSETTO 1P                  | BORNE                      | TERMINAL       | KLEMMLEISTE          | GRAMPA                |
| 12   | 904163 | 1    | MORSETTO TERRA               | BORNE                      | TERMINAL       | KLEMMLEISTE          | GRAMPA                |
| 13   | 908969 | 1    | MORSETTO 1P                  | BORNE                      | TERMINAL       | KLEMMLEISTE          | GRAMPA                |
| 14   | TR0400 | 2    | TERMICA 4/6 A                | TERMIQUE                   | OVERLOAD RELAY | THERMOAUSLOSER       | TERMICA               |
| 15   | TR0386 | 1    | TERMICA 1-1,6                | TERMIQUE                   | OVERLOAD RELAY | THERMOAUSLOSER       | TERMICA               |
| 16   | 907041 | 3    | TELERUTTORE 9A               | TELERUPTEUR                | CONTACTOR      | SCHUTZ               | TELERRUPTOR           |
| 17   | TR0373 | 2    | TELERUTTORE 18A              | TELERUPTEUR                | CONTACTOR      | SCHUTZ               | TELERRUPTOR           |
| 18   | 909012 | 1    | SCHEDA ELETTRONICA CPU       | FICHE ÉLECTRONIQUE CPU     | CPU CARD       | CPU KARTE            | FICHA ELECTRÓNICA CPU |
| 19   | 909134 | 1    | TARGA                        | PLAQUETTE                  | PLATE          | SCHILD               | PLACA                 |
| 20   | 909011 | 1    | SCHEDA COMANDI               | FICHE COMMANDE             | CONTROL CARD   | KONTROLLKARTE        | FICHA PEDIDO          |