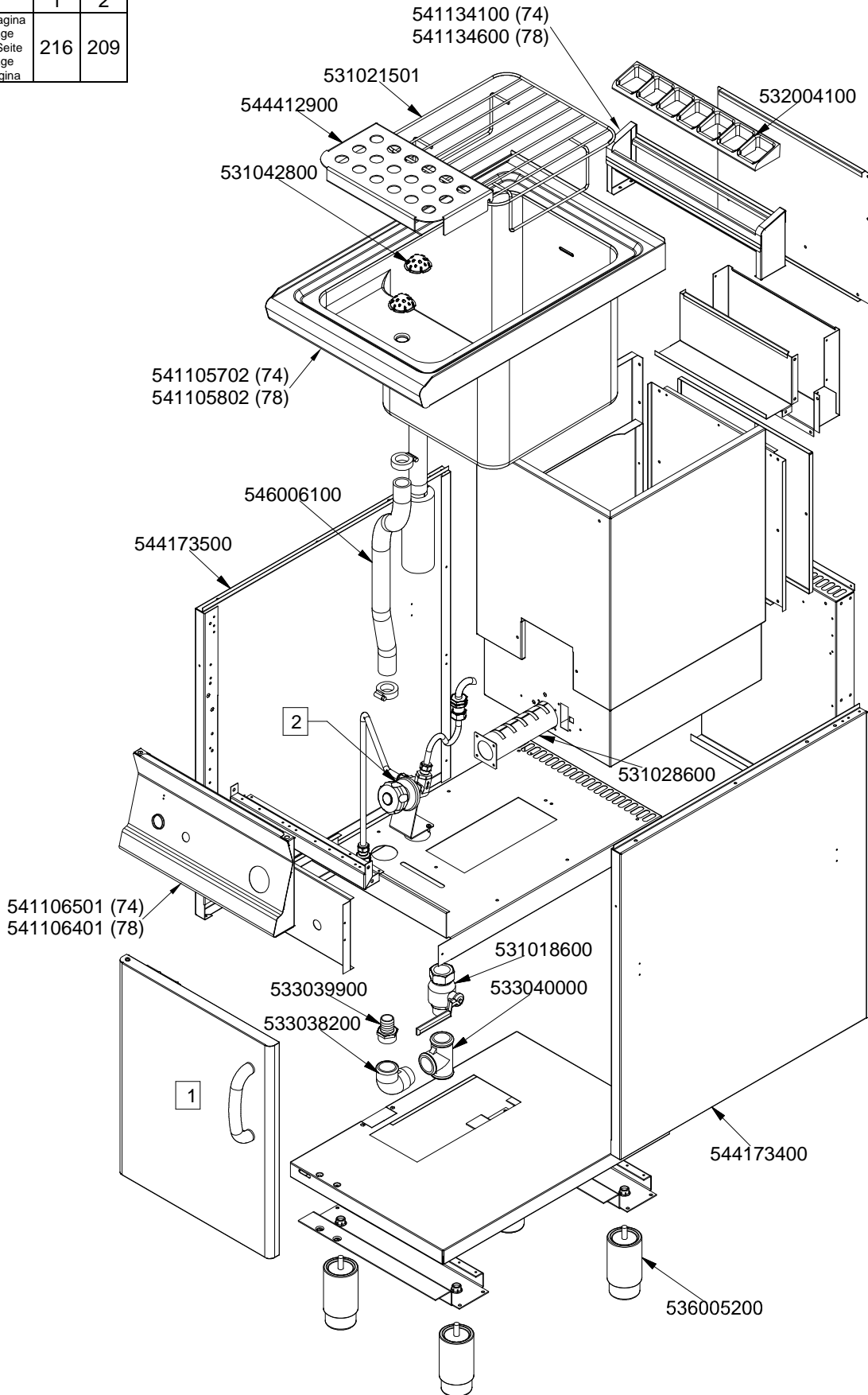


SUPERLOTUS 70≥0602

GAS / GAS / GAS / GAZ

CP-74G CP-78G

	1	2
Vedi Pagina See Page Siehe Seite Voir Page Ver Página	216	209

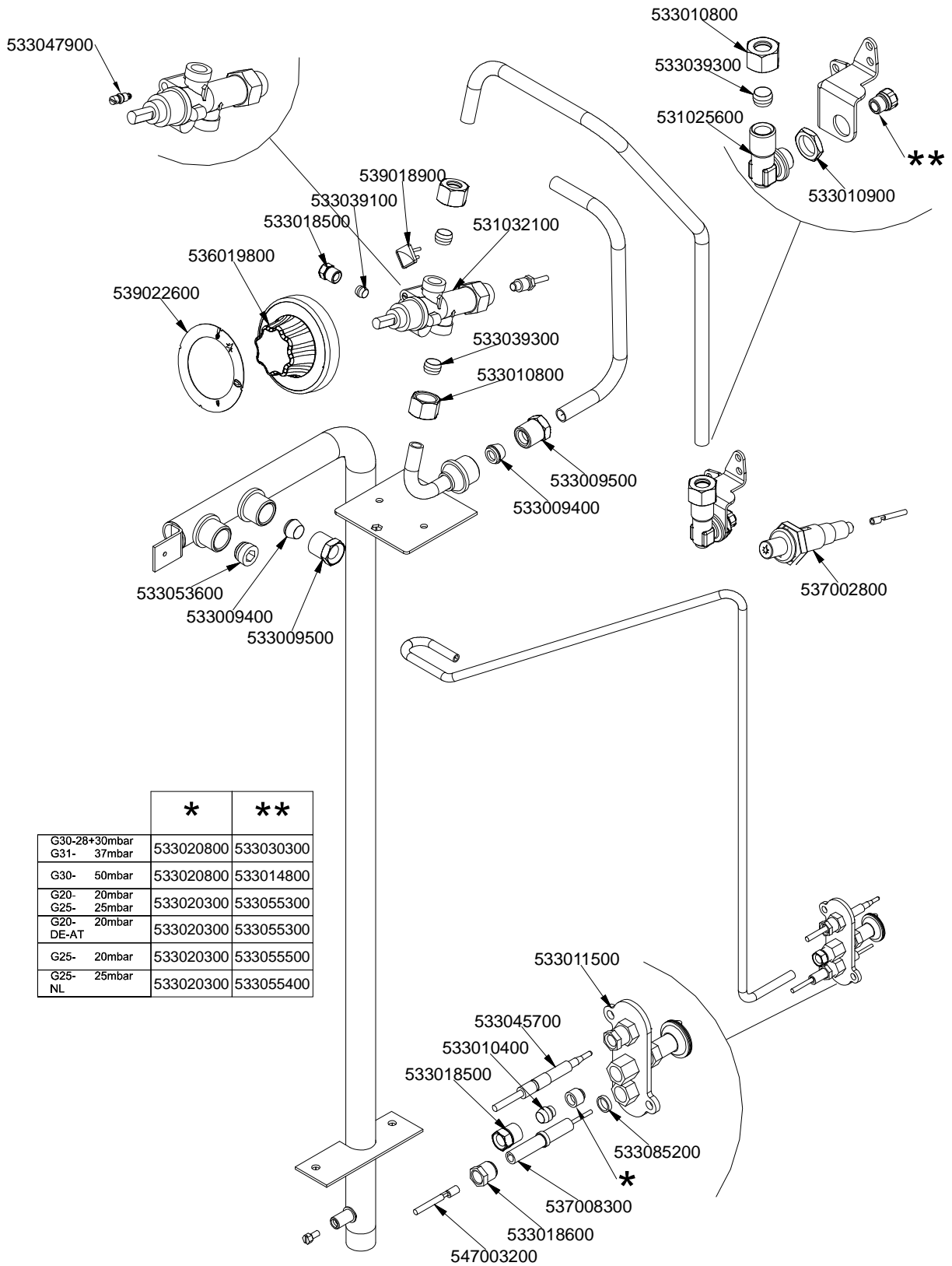


560010402M00P00

SUPERLOTUS 70≥0602

GAS / GAS / GAS / GAZ

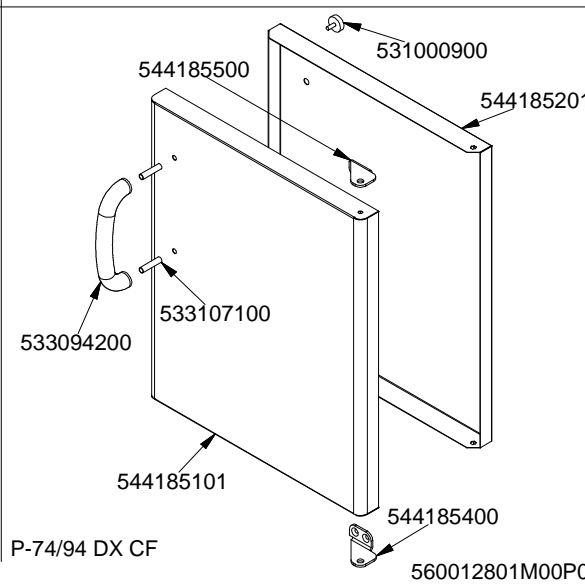
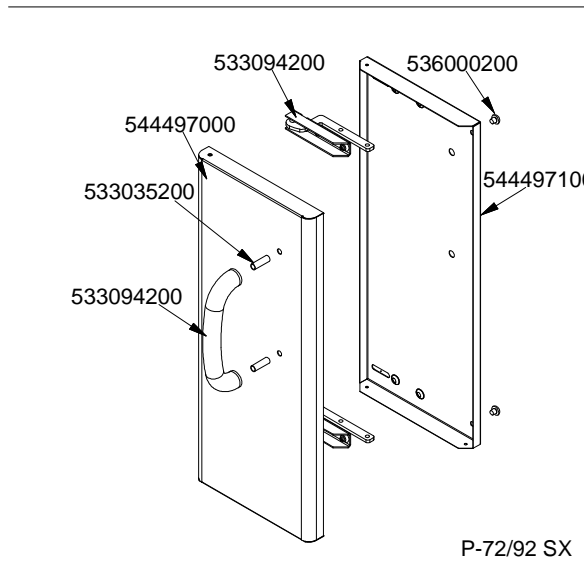
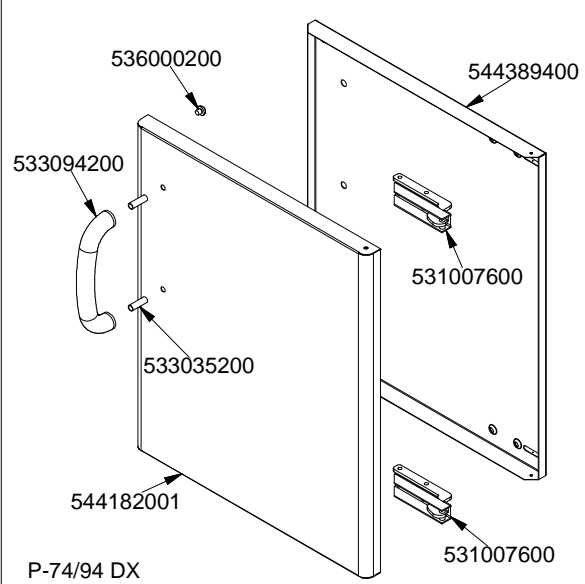
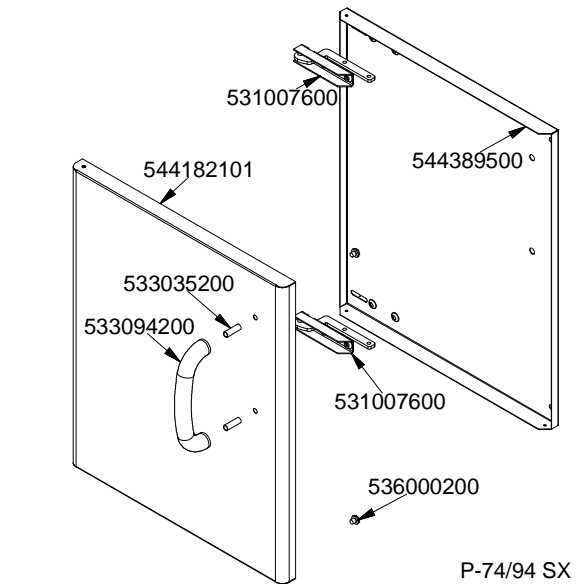
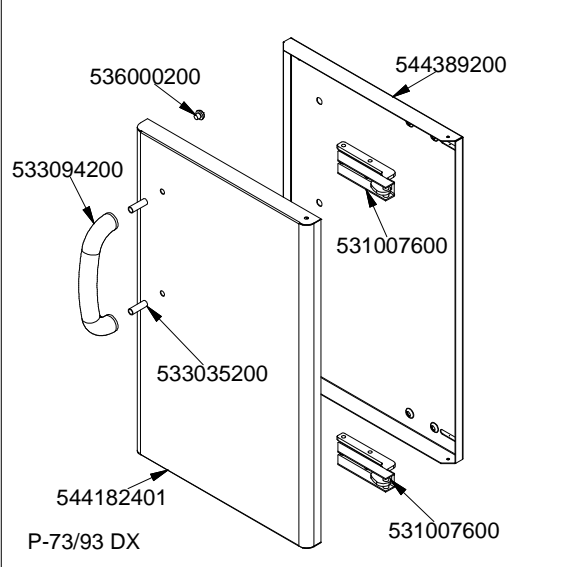
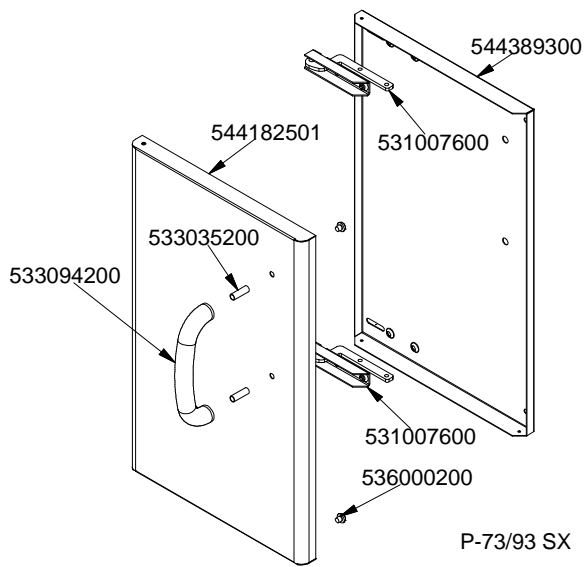
CP-74G CP-78G



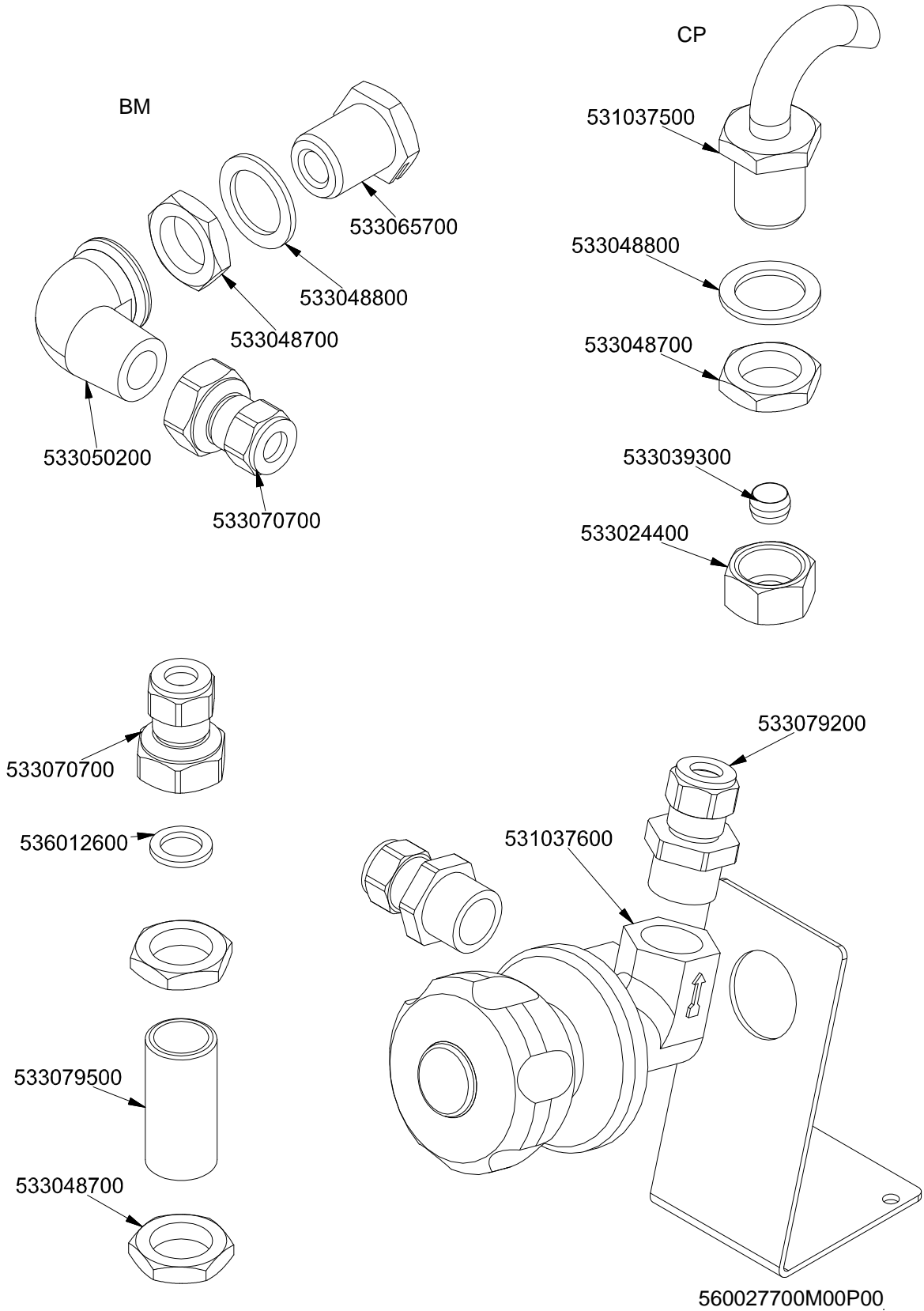
	*	**
G30-28+30mbar G31- 37mbar	533020800	533030300
G30- 50mbar	533020800	533014800
G20- 20mbar G25- 25mbar	533020300	533055300
G20- 20mbar DE-AT	533020300	533055300
G25- 20mbar	533020300	533055500
G25- 25mbar NL	533020300	533055400

560034002M00P00

PORTE / DOORS / FLÜGELÜREN / PORTES



BM CP



Page	Pos	Code	Description
001		541134100	LOW SPACER 74 1 GRID
001		532004100	FLUE GRID L=370 70LINE (RAF)
001		531021501	BASKET SUPPORT GRID CP S.70
001		544412900	
001		531042800	SEMISPHERE FILTER
001		541105702	
001		546006100	RUBBER TUBE §25INT.*§33EXT.*L=560
001		544173500	LEFT SIDE PANEL S.70
001		531028600	BURNER CP 70 LINE
001		541106501	CONTROL PANEL CP-74/94G
001		531018600	BALL VALVE 1"G M-F CPM-62G
001		533040000	1"G F-F-F "T" FITTING
001		533039900	PIPE HOLDER 1" G M D.24
001		533038200	1" G M-F ELBOW FITTING
001		544173400	RIGHT SIDE PANEL S.70
001		536005200	INOX LEG 2" 120-180 M10
002		533010800	TUBE NUT D.10 M16*1,5
002		533039300	BICONE §10
002		531025600	ELBOW 90° NOZZLE-HOLDER §10 PIPE
002		533010900	NUT M14*1 H.4
002		533047900	BY PASS COCK §100 21S
002		539022600	GRADUATED STICKER FOR KNOB
002		536019800	BLACK KNOB §70 PIN §8*6,5
002		533018500	FITTING FOR BICONE D.6 M10*1
002		533039100	BICONE §6
002		539018900	INDEX FOR KNOB
002		531032100	GAS COCK 21S P.V.BY-PASS Ø100
002		533009500	NIPPLE FOR BICONE 10S
002		533009400	BICONE 10S
002		537002800	PIEZOELECTRIC IGNITION M18
002		533053600	EUROSIT VALVE PLUG
002		533011500	PILOT BURNER 2 FLAMES 220
002		533045700	THERMOCOUPLE M9*1 500
002		533010400	BICONE D.6
002		533085200	
002		537008300	ROUND PLUG §2,4- LONG ELECTRODE
002		533018600	PLUG FITTING
002		547003200	HIGH-VOLTAGE CABLE TUBE.§2 L=500
002		533020800	NOZZLE 0160-FLUSS. (25)
002		533030300	NOZZLE §160 CH12*14 M-FPG
002		533014800	NOZZLE §135 CH12*14,0
002		533020300	NOZZLE 0160 (NATURAL GAS) 1-2 (41)
002		533055300	NOZZLE §235 CH12*14
002		533055500	NOZZLE §255 CH12*14 L-CP70
002		533055400	NOZZLE §245 CH12*14
003		544389300	
003		531007600	DOOR HINGE
003		544182501	LEFT DOOR 73
003		533035200	
003		533094200	S/S HANDLE FOR 70/90 SERIES
003		536000200	D.12 H.4 BUMPER

Page	Pos	Code	Description
003		544389200	
003		544182401	RIGHT DOOR 73
003		544389500	INNER-DOOR OF LHD 74
003		544182101	LEFT DOOR 74
003		544389400	
003		544182001	RIGHT DOOR 74
003		544497100	
003		544497000	
003		531000900	MAGNET §22 KG.3 WITH DISK
003		544185500	UPPER DOOR HINGE FOR COMPARTME CF70
003		544185201	
003		533107100	
003		544185101	RIGHT DOOR 74 CF
003		544185400	LOWER DOOR HINGE FOR COMPARTME CF70
004		533065700	FITTING FOR WATER INPUT 1/2G
004		533048800	GASKET §30*§21*2 FIBRE
004		533048700	NUT 1/2G ZN
004		533050200	90° 1/2 M/F ELBOW FITTING
004		533070700	FITTING 1/2G TUBE D10 + O-RING
004		531037500	
004		533039300	BICONE §10
004		533024400	HEXAGONAL NUT 1/2G TUBE D.10
004		533079200	FITTING 1/2G F.TUBE D10 + O-RING
004		536012600	GASKET §12,5*§18,5*2 1/2G
004		531037600	TAP FOR WATER LOADING 1/2"GF CP 90
004		533079500	