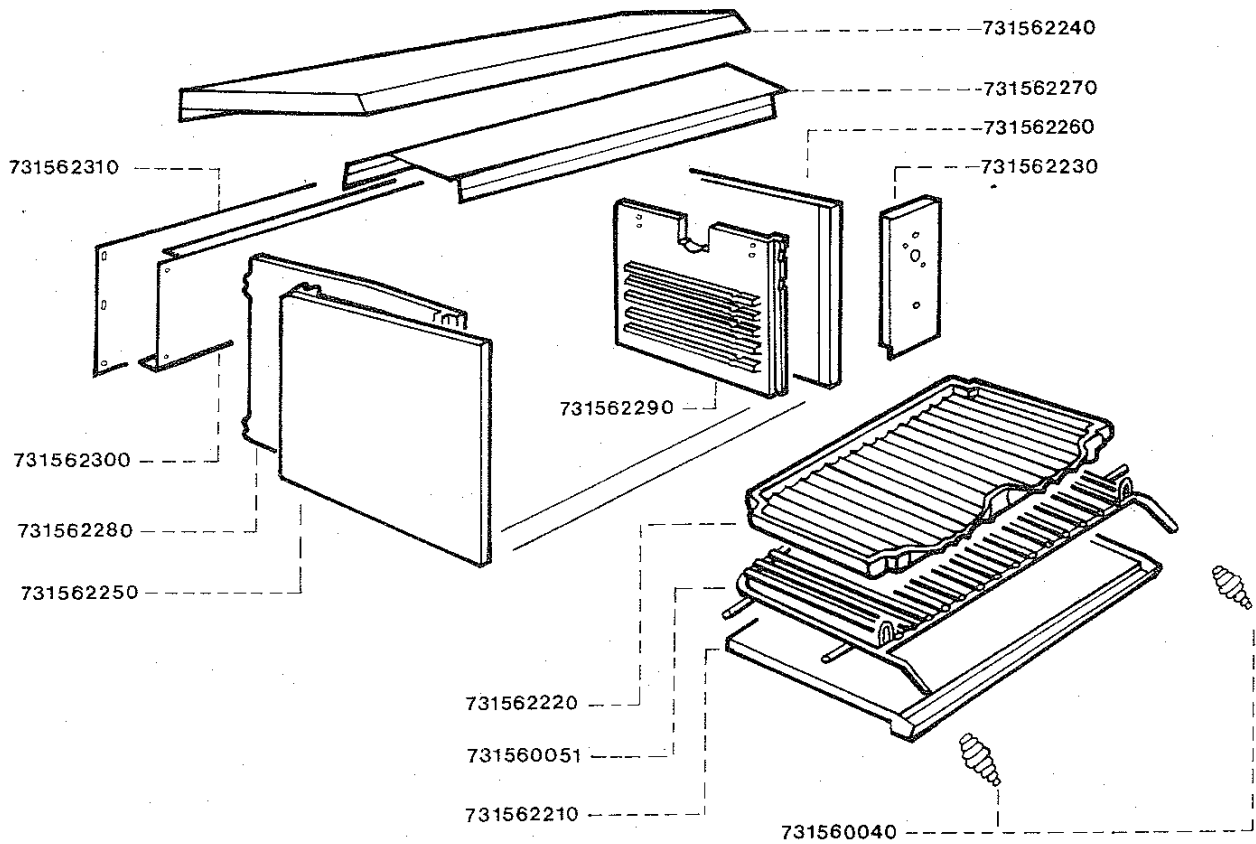


E1532 STEAKHOUSE GRILL

GRILL FITMENTS



Code No.	Description
3B 731560040	Handle for Grid/Carrier.
6F 731560051	Grid/Carrier Wire only.
9F 731560111	Grid/Carrier c/w Handles (not illustrated).
7F 731562210	Drip Tray.
9G 731562220	Brander.
11C 731562230	Control Panel.
10F 731562240	Outer Top Panel.
6D 731562250	Outer Side Panel — Left Hand.
6D 731562260	Outer Side Panel — Right Hand.
4D 731562270	Reflector Plate.
1E 731562280	Inner Side Panel — Left Hand.
1E 731562290	Inner Side Panel — Right Hand.
2E 731562300	Inner Back Panel.
3D 731562310	Outer Back Panel.

Sheet Reference Number

E1500/0884/013

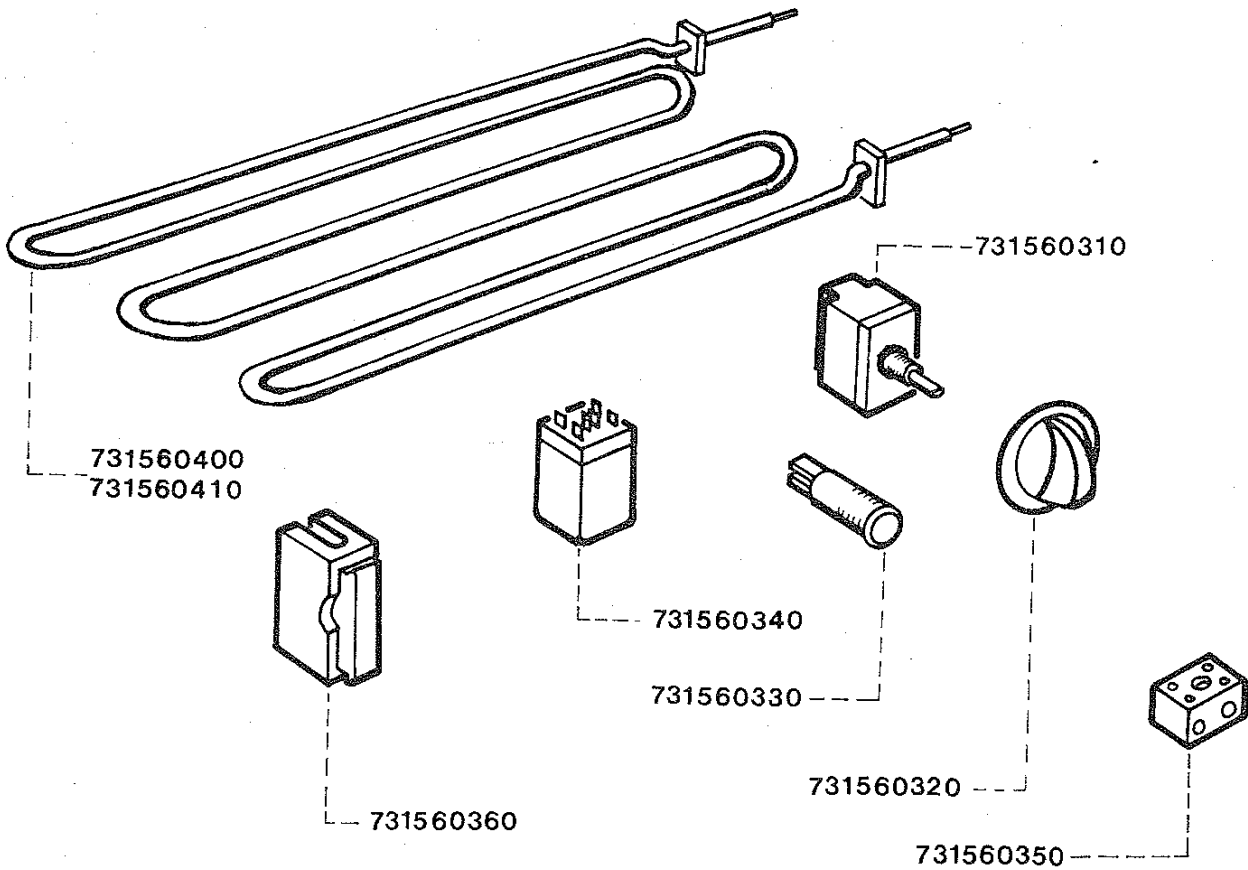
**Falcon Catering
Equipment**
Commercial and institutional
catering equipment



Falcon Catering Equipment is a
business name of
Glynwed Consumer & Building Products Ltd
a member of the
Glynwed International plc
group of companies

E1532 STEAKHOUSE GRILL

GRILL CONTROLS



Code No.	Description
12D 731560300	Simmerstat Control Switch c/w Knob (not illustrated).
9D 731560310	Simmerstat Control Switch.
6B 731560320	Control Knob.
8B 731560330	Indicator Lamp — Red.
12F 731560340	Relay.
2B 731560350	Terminal Block.
2C 731560360	Fuse Carrier and Base.
11G 731560400	Element 240V.
11G 731560410	Element 220V.
10A 731560430	15 Amp Fuse (not illustrated).

Sheet Reference Number

E1500/0884/014

**Falcon Catering
Equipment**
Commercial and institutional
catering equipment



Falcon Catering Equipment is a
business name of
Glynwed Consumer & Building Products Ltd
a member of the
Glynwed International plc
group of companies