

# HOOD TYPE MACHINE

INSULATED DOUBLE WALLED CAPOTE  
ELECTROMECHANICAL SWITCHES

TYPE: 373U

Accessories

CAPOTE "LIFT" LIFTING SYSTEM

BREAK TANK

BOOSTER PUMP

DVGW

WATER SOFTNER

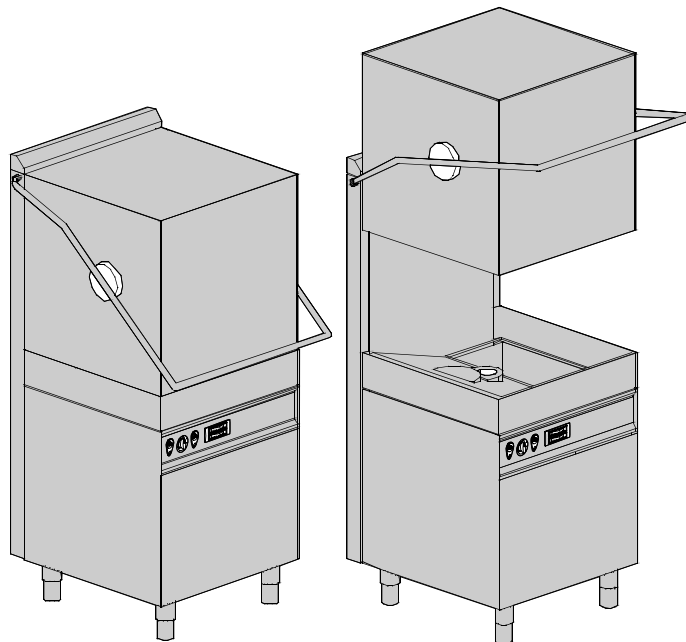
DETERGENT DISPENSER

DRAIN PUMP

---

## Spare parts manual

---





## 1. Spare parts

General body parts.....	7
Closing panelig.....	9
Capote LIFT lifting system.....	11
Control panel .....	13
Control electric components.....	15
Solenoid valve group .....	17
Solenoid valve group .....	19
Break Tank .....	21
Booster pump.....	23
DVGW .....	25
Water softner group.....	27
Shining product dosing device group .	29
Boiler group .....	31
3 ways derivation .....	33
Wash pump group .....	35
Dosing device group .....	37

---

<b>Dosing device group .....</b>	<b>39</b>
<b>Drain pump group.....</b>	<b>41</b>
<b>Pressure switch group with air trap ...</b>	<b>43</b>
<b>Turret group with rotating arms .....</b>	<b>45</b>

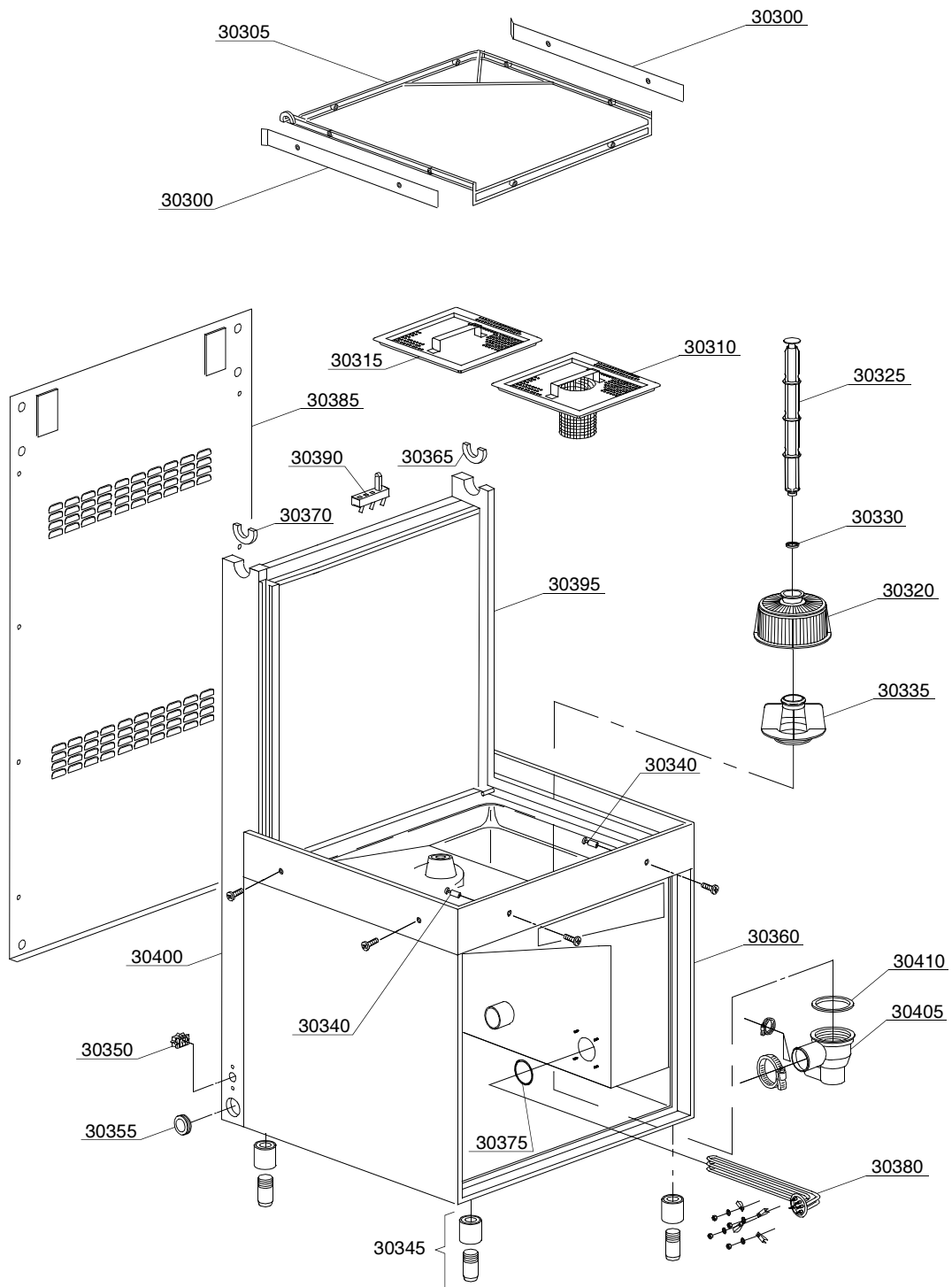
## 1.1 Voltage codes

Voltage code	Voltage
A	3/N/PE~400/230V 50Hz
B	~250V 16A 50Hz
C	3/N/PE~380/220V 50Hz
D	3/PE~200V 50-60Hz
F	2/PE 220-240V 50Hz
G	3/N/PE~415/240V 50Hz
H	3/PE~230V 50Hz
I	3/PE~220V 60Hz
J	3/PE~380 50Hz
K	3/PE~400V 50Hz
L	3/PE~415V 50Hz
M	3/PE~440V 60Hz
N	3/PE~460V 60Hz
O	3/PE~480V 60Hz
P	1/N/PE~220-240V 50Hz
R	2/PE~220-230V 60Hz
S	3/N/PE~400/230V 50Hz
T	3/PE~230V 60Hz

## 1.2 Product codes

Product code	Full name
Model codes	
is	INSULATED DOUBLE WALLED CAPOTE
em	ELECTROMECHANICAL SWITCHES
Type codes	
373U	373U
Accessory codes	
lift	CAPOTE "LIFT" LIFTING SYSTEM
bt	BREAK TANK
pap	BOOSTER PUMP
dvgw	DVGW
d	WATER SOFTNER
dde	DETERGENT DISPENSER
ps	DRAIN PUMP

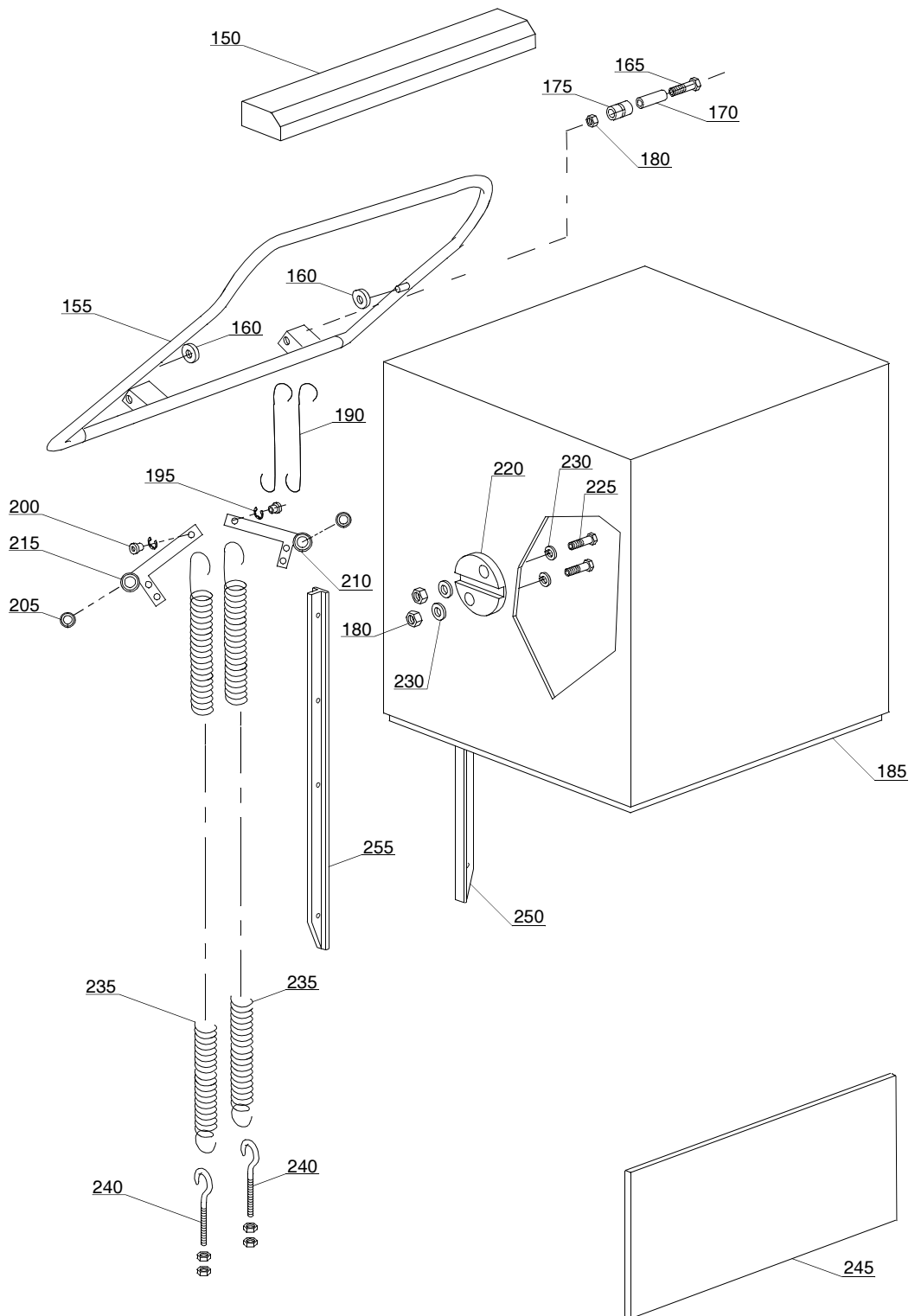
01\_028\_e



**Spare parts**

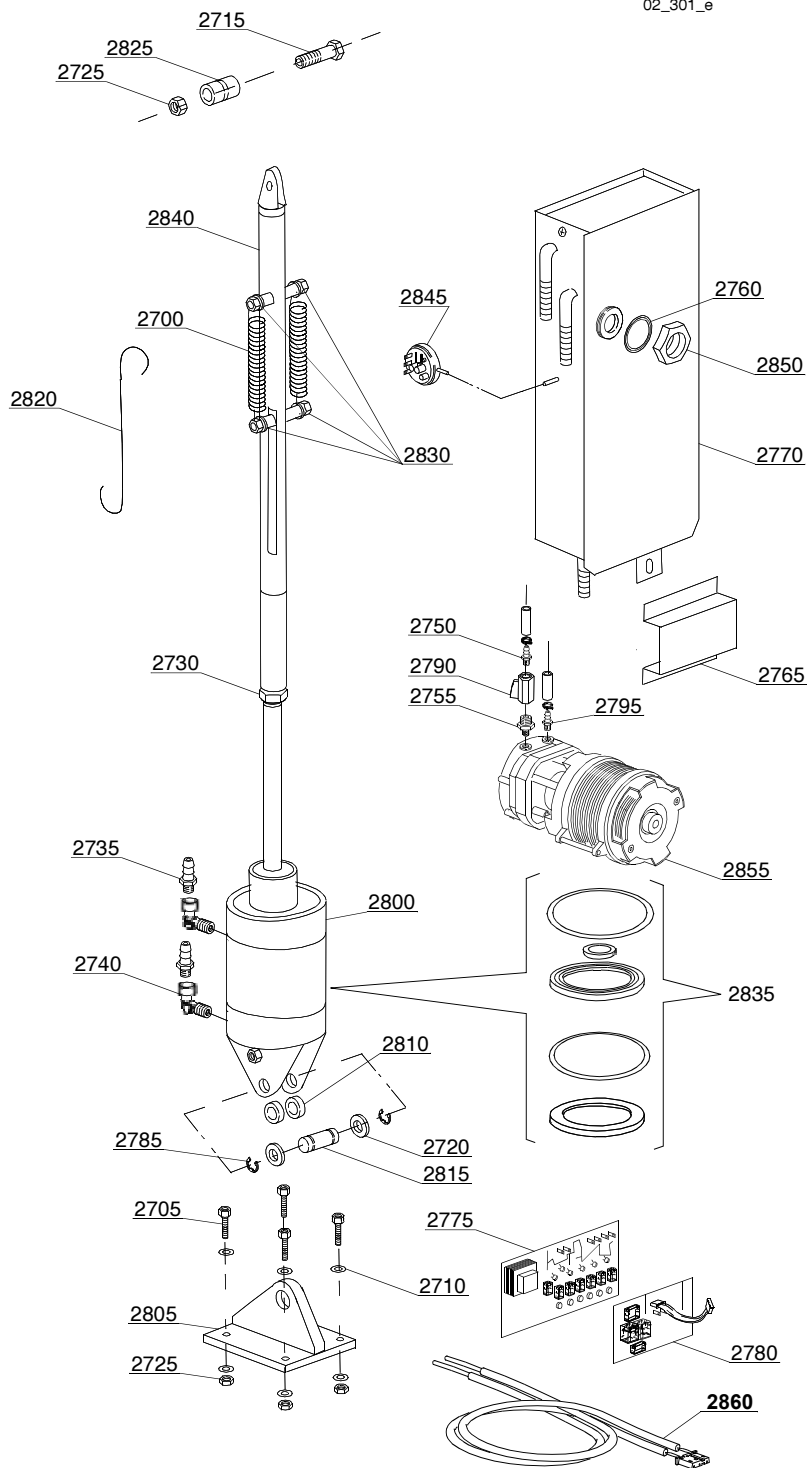
ID	P-code	Model	Type	Accessory	Voltage	Description
MODULE:General body parts						
30300	10600923		373U			Basket side
30305	11600001		373U			Basket support
30310	11600906		373U			Filter with hole
30315	11600907		373U			Filter
30320	500616		373U			Suction filter
30325	11600102		373U			Overflow pipe
30330	13021		373U			DEM 40 gasket
30335	500615		373U			Ferrule with filter
30340	11600018		373U			Basket-holder support pin
30345	15116		373U			Foot
30350	15065/A		373U			Cable-fastener with screw
30355	13324		373U			O46 mm fairlead
30360	11600960		373U			Base assembly
30365	11600016		373U	lift		Right grip pilot boss
30365	11600055		373U			Right/left pilot bush
30370	11600017		373U	lift		Left grip pilot boss
30370	11600055		373U			Right/left pilot bush
30375	13015		373U			6225 OR 160 NBR gasket
30380	15047/A		373U			2,7KW heating element
30385	11600630		373U			Back panel
30390	70305		373U			Limit stop push button
30395	11600620		373U			Right standard
30400	11600621		373U			Left standard
30405	500606		373U			Right side scrap tray
30410	80208		373U			95x75x3 gasket

02\_202\_e





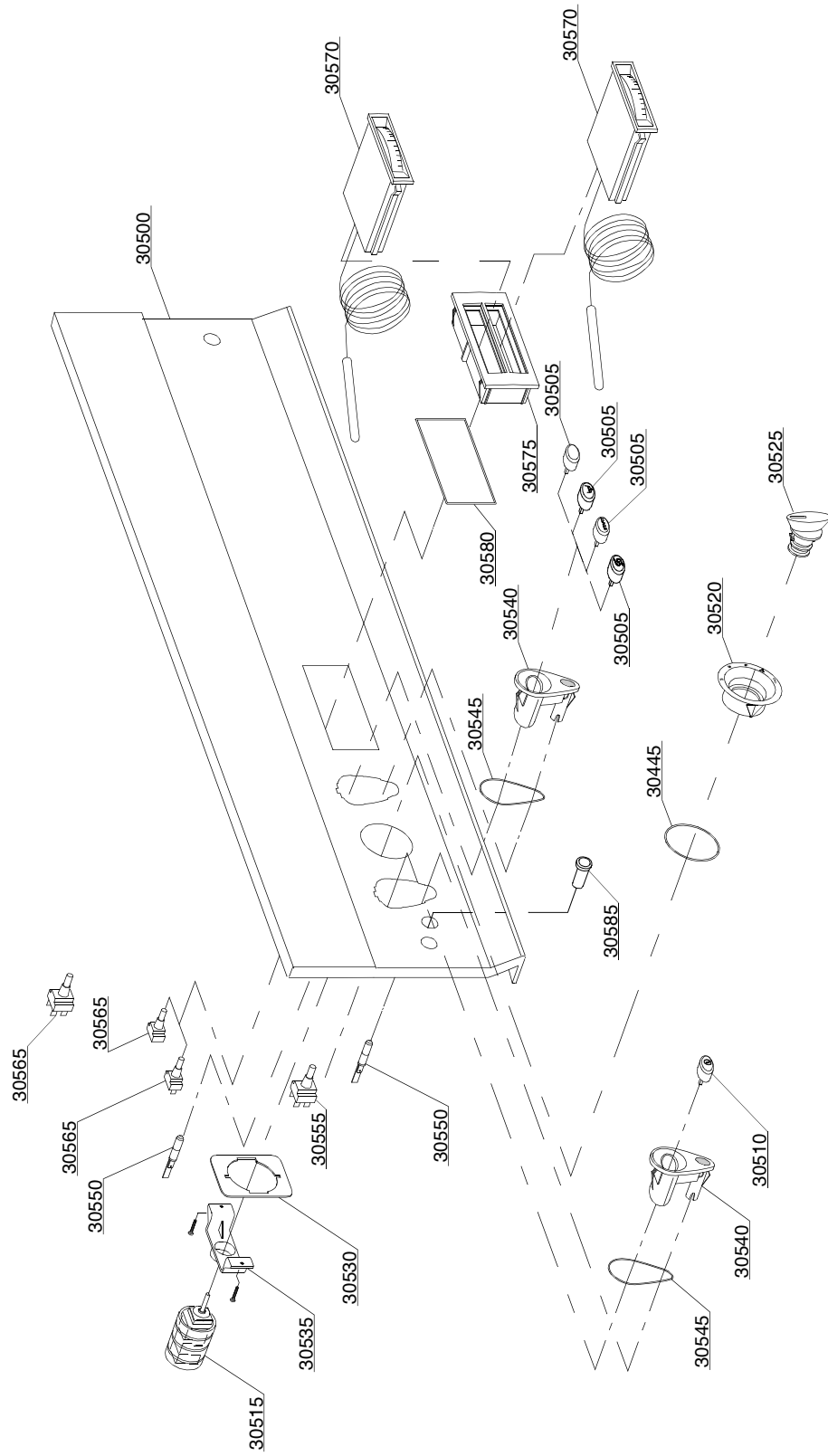
ID	P-code	Model	Type	Accessory	Voltage	Description
MODULE:Closing panelig						
150	11600913		373U			Spoiler
155	11600910		373U			Grip
160	89919		373U			Wheel for basket
165	11214		373U			Screw
170	11600015		373U			Roller spacer
175	11600014		373U			Roller tie rod
180	11718		373U			M8 stainless steel self-locking nut
185	11600902		373U			Capote
190	11600013		373U			Union grip/levers tie rod
195	11823		373U			O10 stainless steel snap ring
200	11600038		373U			Spring bush
205	10800010		373U			Lever bearing
210	11600026		373U			Right lever
215	11600027		373U			Left lever
220	11600030		373U			Capote movement cam
225	11110		373U			M8x35 TE stainless steel screw
230	13301		373U			Gasket
235	70302		373U			Back spring
240	10800210		373U			Tie rod screw with hook
245	11600953		373U			Lower door panel
250	11600028		373U			Capote right sliding guide
255	11600029		373U			Capote left sliding guide



## Spare parts

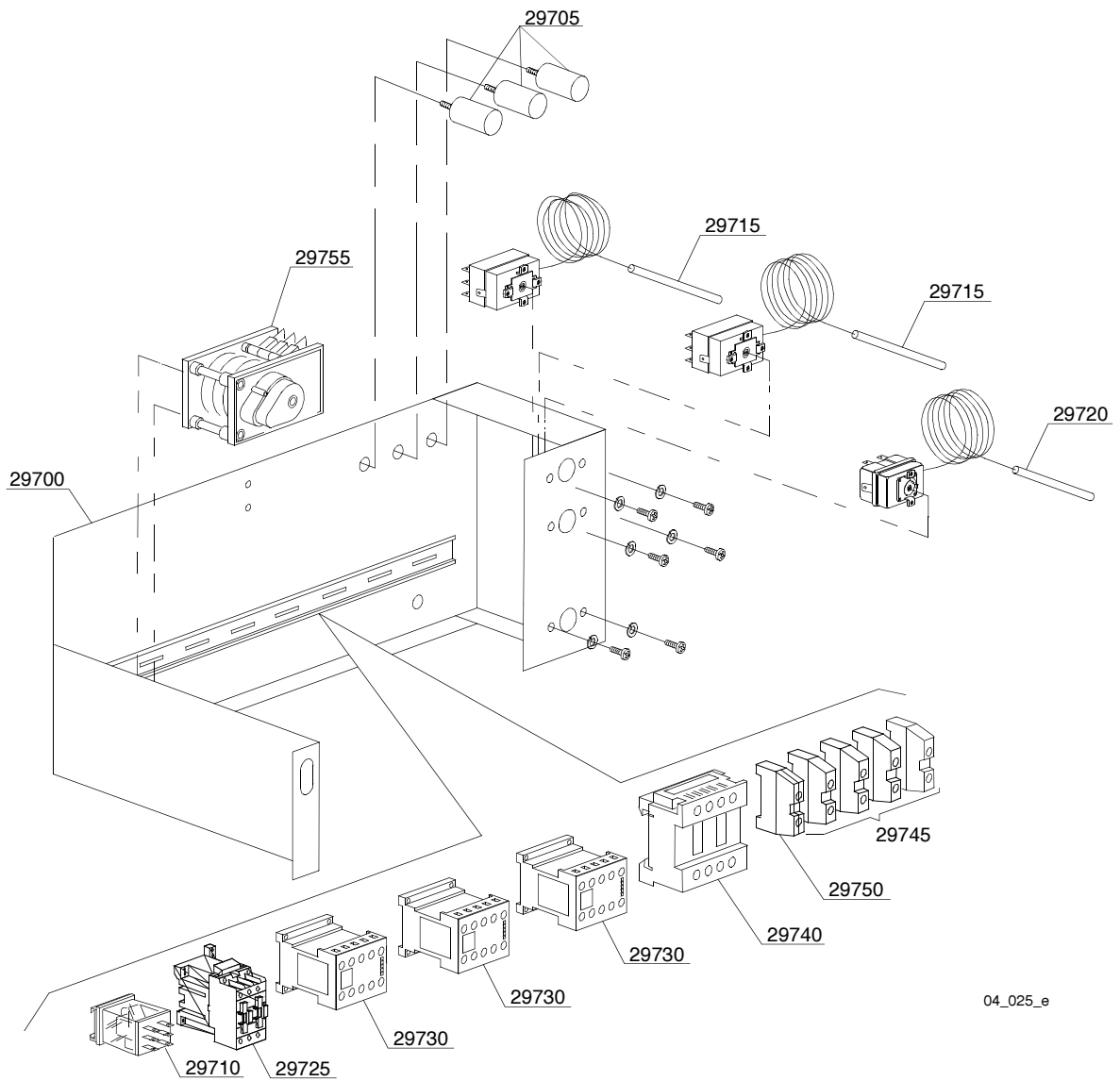
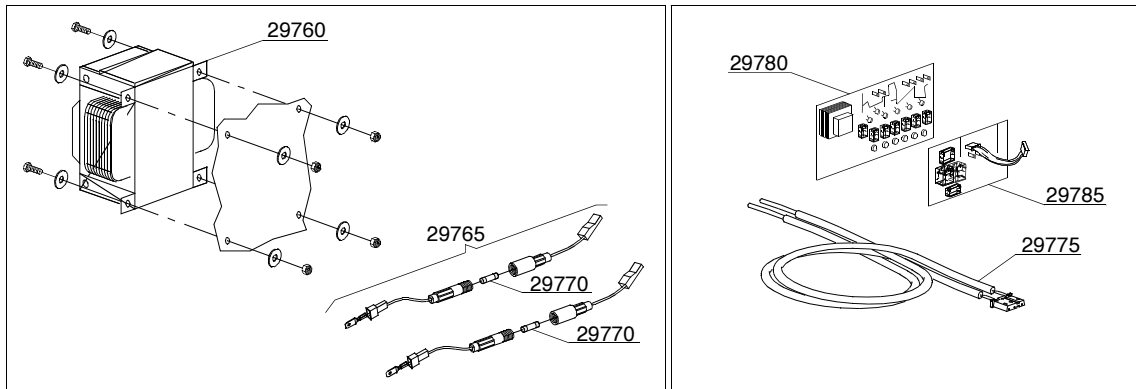
ID	P-code	Model	Type	Accessory	Voltage	Description
MODULE:Capote LIFT lifting system						
2700	10700		373U	lift		Door spring
2705	11166		373U	lift		Screw
2710	11177		373U	lift		Plain washer
2715	11215		373U	lift		Screw
2720	11617		373U	lift		Washer
2725	11718		373U	lift		M8 stainless steel self-locking nut
2730	11720		373U	lift		M16 stainless steel nut
2735	12005		373U	lift		Rubber-holder
2740	12012		373U	lift		M/F 1/4 Elbow
2750	12013		373U	lift		Rubber-holder
2755	12034		373U	lift		Reduction nipple
2760	13305		373U	lift		44x32x3 drain elbow gasket
2765	15738		373U	lift		Hole protection
2770	15745		373U	lift		G12 lift tank piston
2775	50557		373U	lift		60/100/180 Eco-2 electronic timer
2780	50559		373U	lift		Electronic timer for Exp - Ps card
2785	3002069		373U	lift		Stainless steel snap ring
2790	3002140		373U	lift		FF 1/2 tap
2795	10221311		373U	lift		Rubber-holder
2800	11600042		373U	lift		G-12 hydraulic piston
2805	11600043		373U	lift		Ball joint flange for piston
2810	11600044		373U	lift		Spacer for ball joint flange
2815	11600045		373U	lift		Piston attachment pin for flange
2820	11600046		373U	lift		G-12 lift tie rod for grip lever
2825	11600047		373U	lift		G-12 strengthened roller
2830	11600049		373U	lift		Spacer for spring attachment
2835	11600053		373U	lift		Set of gasket for hydraulic piston
2840	11600917		373U	lift		G-12 lifting arm
2845	10706/A		373U	lift		47-27 pressure switch
2850	11701/A		373U	lift		Stainless steel nut
2855	15100/D		373U	lift		Booster pump
2860	50562		373U	lift		Thermostat probe

03\_037\_e



## Spare parts

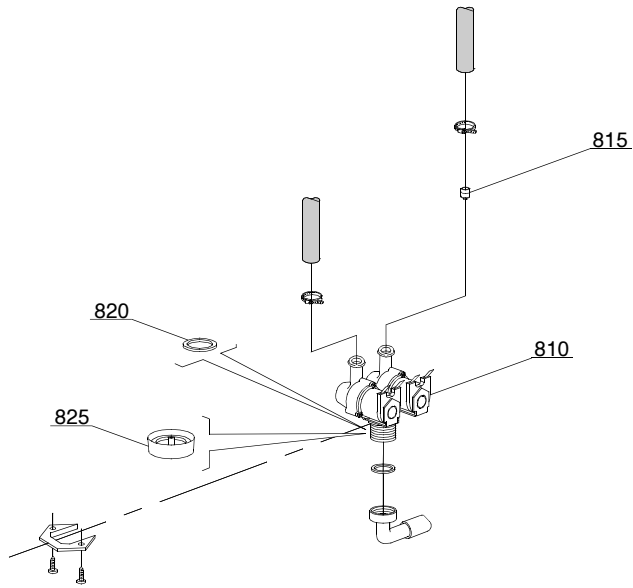
ID	P-code	Model	Type	Accessory	Voltage	Description
MODULE:Control panel						
30500	11600950		373U			Control panel
30505	89341		373U			Start key
30505	89348		373U			Blind key
30505	89345		373U			Regeneration key
30505	89343		373U			Drain pump key
30510	89340		373U			ON-OFF key
30515	10300208		373U			Rotating push selector switch
30520	89349		373U			Push selector switch support
30525	89321		373U			Push selector switch handle control
30530	89323		373U			Screw retainer
30535	89322		373U			Push selector switch screw retainer support
30545	89300		373U			Key support
30545	89332		373U			OR gasket
30550	15826		373U			Pilot light
30555	15812		373U			16A switch
30565	15813		373U			16A unipolar push button
30565	15844		373U			Key support
30565	15800		373U			16A bipolar push button
30570	10500011		373U			Thermometer
30575	89306		373U			Double thermometer support
30580	89331		373U			OR gasket
30585	10711/B		373U			Pilot light



04\_025\_e

## Spare parts

ID	P-code	Model	Type	Accessory	Voltage	Description
MODULE:Control electric components						
29700	11600955		373U			Electric component panel
29705	15149		373U			Low noise filter
29710	560301		373U			Relay
29715	10707/1		373U			0-90°C thermostat
29720	2000430		373U			Safety thermostat
29725	10300391		373U			3NA/1NC remote control switch
29725	10300392		373U			3NA/1NC remote control switch - 240Vac 50Hz
29730	15086		373U			Remote control switch 230V 50/60Hz 4C
29730	15086/B		373U			Remote control switch 240V 50Hz
29740	10300050		373U			25/12A remote control switch
29740	10300052		373U			36A/20A remote control switch
29740	10300054		373U			25A/16A remote control switch
29745	10300401		373U			6/8mm <sup>2</sup> yellow/green terminal
29750	10300403		373U			6mm <sup>2</sup> terminal
29755	10300122		373U			"50/100/150" timer"
29760	15381		373U			160Va transformer
29765	15147		373U			Fuse-holder
29770	15163		373U			Fuse
29775	50562		373U	ws		Thermostat probe
29780	50557		373U	ws		60/100/180 Eco-2 electronic timer
29785	50559		373U	dp,ws		Electronic timer for Exp - Ps card



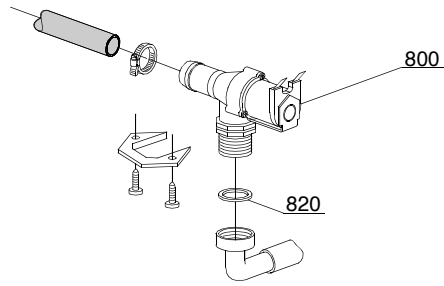
05\_003\_e



## Spare parts

---

ID	P-code	Model	Type	Accessory	Voltage	Description
MODULE:Solenoid valve group						
810	15098		373U	cr,ws		Double solenoid valve - O10
810	30001001		373U	lift		Double solenoid valve - O12
820	N.C.		373U	cr,ws		Pression reducing valve

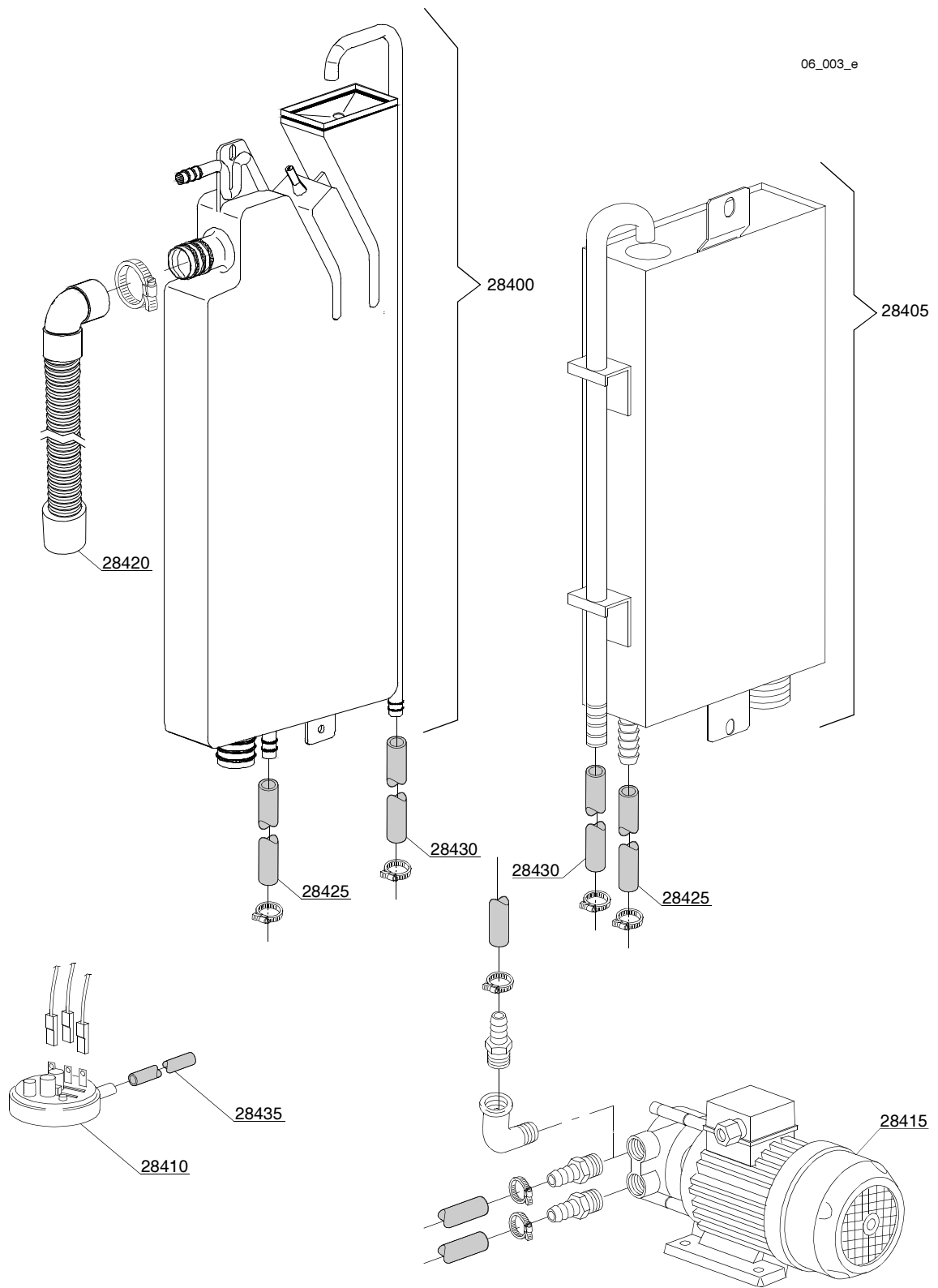


05\_005\_e

## Spare parts

---

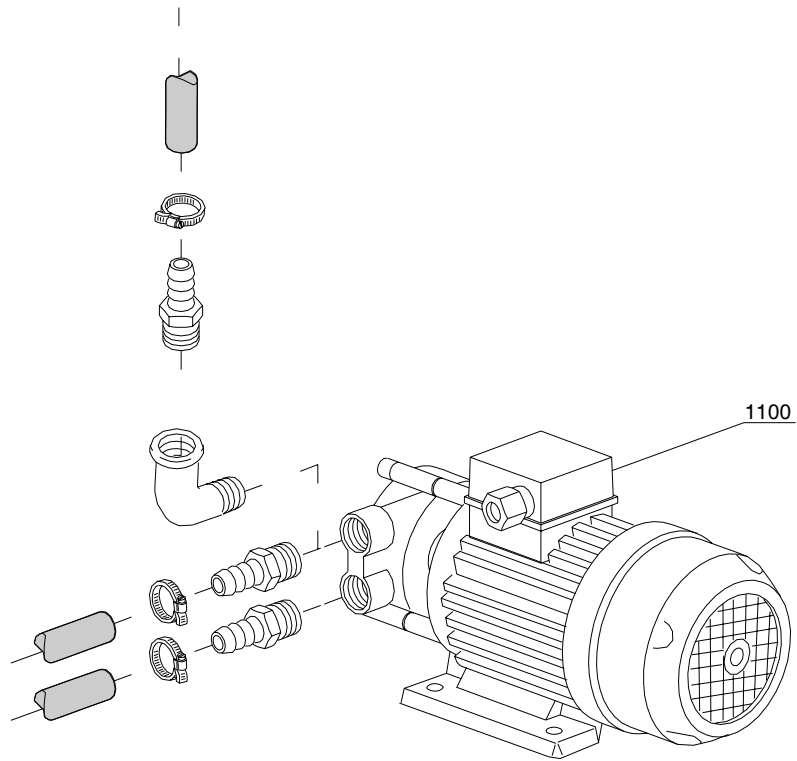
ID	P-code	Model	Type	Accessory	Voltage	Description
MODULE:Solenoid valve group						
800	30001000		373U			Single solenoid valve
820	N.C.		373U			Pression reducing valve



## Spare parts

ID	P-code	Model	Type	Accessory	Voltage	Description
MODULE:Break Tank						
28400	15720		373U	bt		Break tank assembly
28405	15735		373U	bt		Break tank assembly
28410	10706/A		373U	bt		47-27 pressure switch
28415	15100		373U	bt		Booster pump
28420	15721		373U	bt		BT long pipe L=1070
28420	15722		373U	bt		BT middle pipe L=920
28420	15723		373U	bt		BT small pipe L=920
28425	2907350		373U	bt		12x20 EPDM rubber pipe
28430	2907352		373U	bt		PVC WRAS rubber pipe
28435	14508		373U	bt		4,5x9 EPDM rubber pipe

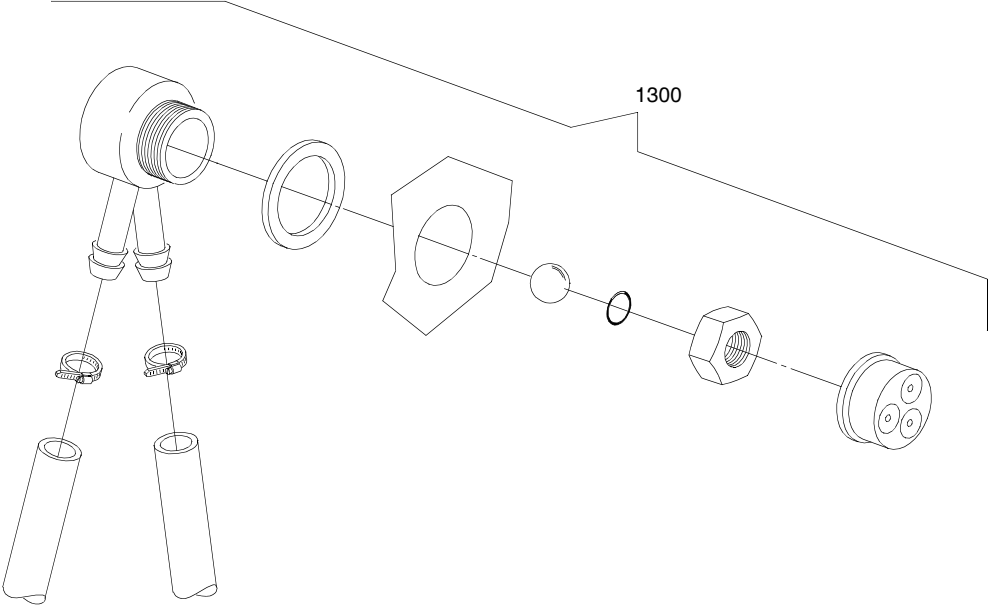
07\_002\_e



**Spare parts**

---

ID	P-code	Model	Type	Accessory	Voltage	Description
MODULE:Booster pump						
1100	15100		373U	bp		Booster pump



08\_005\_e

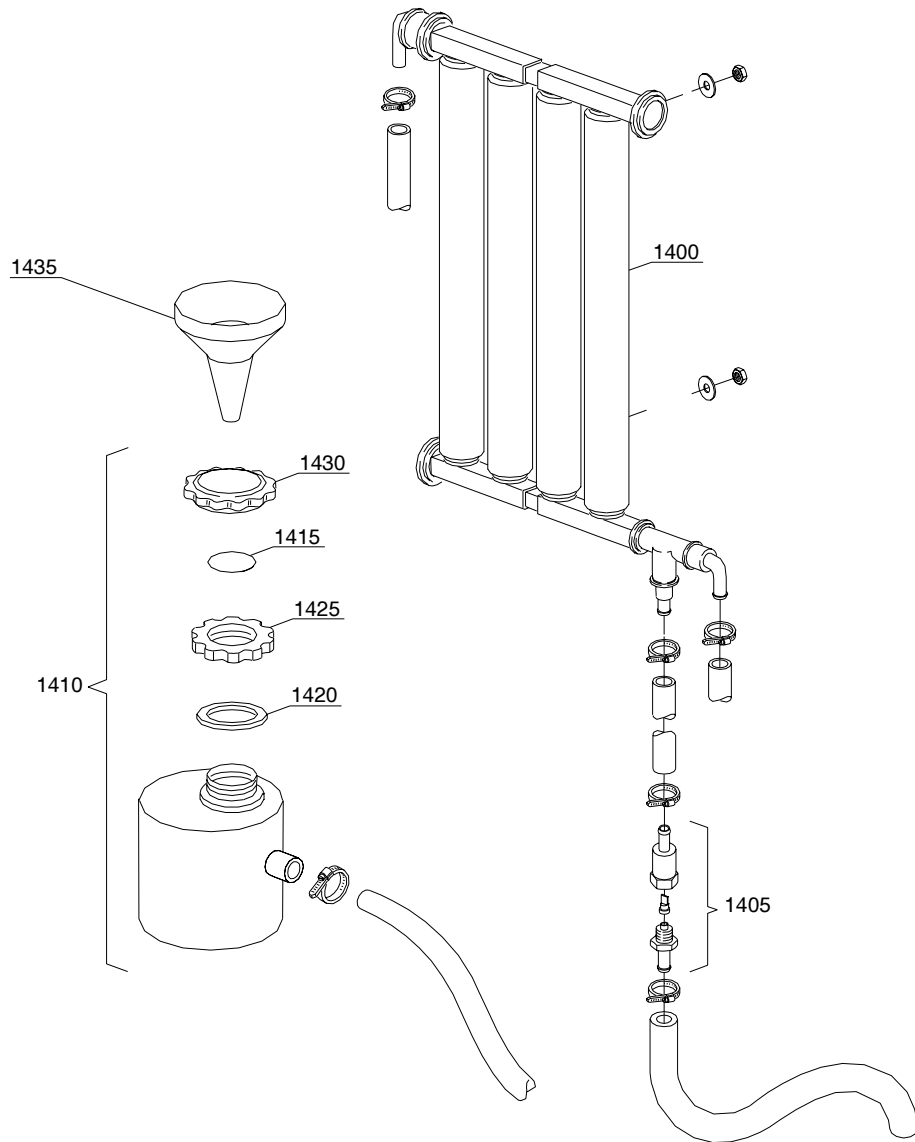


**Spare parts**

---

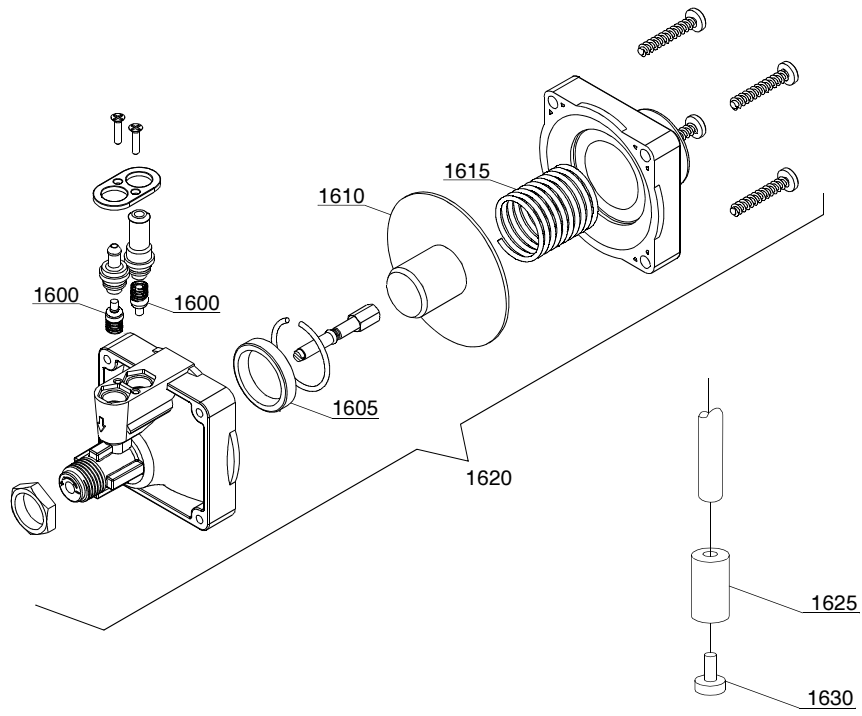
ID	P-code	Model	Type	Accessory	Voltage	Description
MODULE:DVGW						
1300	999900006		373U	dvgw		DVGW assembly

09\_001\_e



## Spare parts

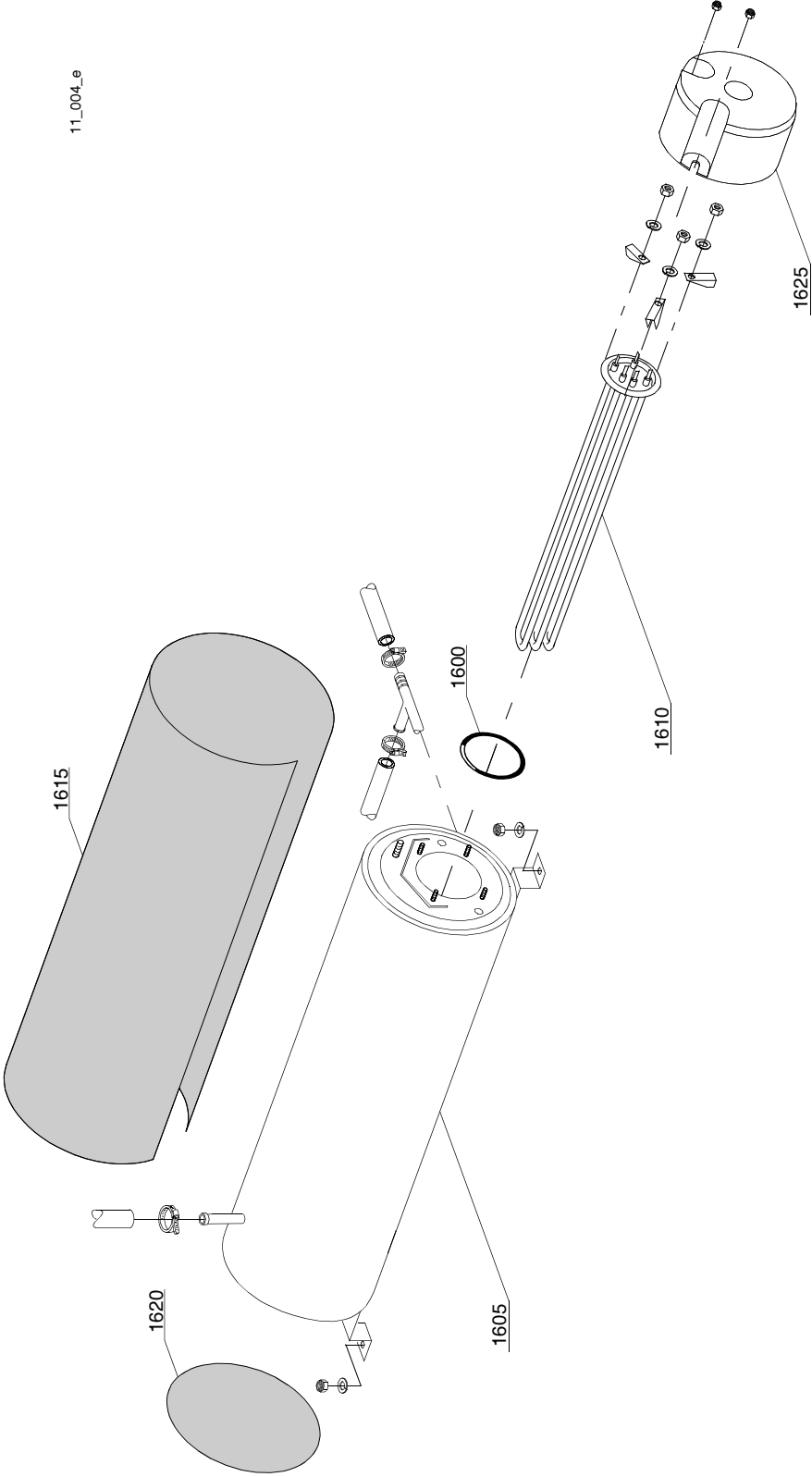
ID	P-code	Model	Type	Accessory	Voltage	Description
MODULE:Water softner group						
1400	16066		373U	ws		4 elements water softner
1405	16070		373U	ws		Nonreturn valve
1410	16065		373U	ws		Salt container
1415	16067/A		373U	ws		OR gasket
1420	16067/B		373U	ws		Gasket
1425	16067/C		373U	ws		Ring nut
1430	16067/D		373U	ws		Plug
1435	16082		373U	ws		Funnel



10\_003\_e

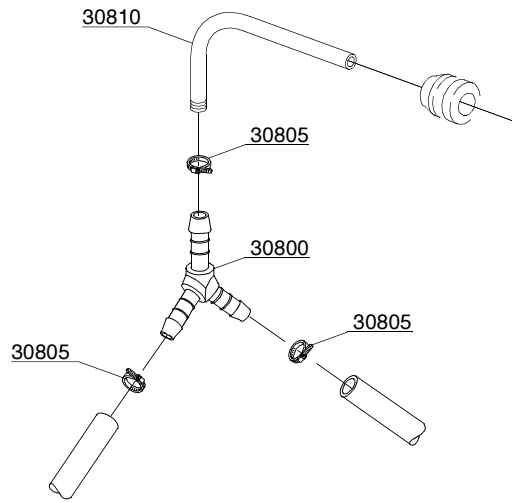
## Spare parts

ID	P-code	Model	Type	Accessory	Voltage	Description
MODULE:Shining product dosing device group						
1600	10805		373U			Tecnopro dosing valve
1605	10806		373U			O22 gasket
1610	10807		373U			Membrane
1615	10808		373U			Spring
1620	10599999		373U			Shining product dosing device
1625	12525		373U			Counter-weight
1630	15058		373U			Small filter



## Spare parts

ID	P-code	Model	Type	Accessory	Voltage	Description
MODULE:Boiler group						
1600	13015		373U			6225 OR 160 NBR gasket
1605	22002		373U			Boiler
1610	30001010		373U			6KW heating element
1610	30001011		373U			9KW heating element
1610	30001011/A		373U			12KW heating element
1615	30002030		373U			Insulating boiler
1620	75205		373U			O160 bottom
1625	75311		373U			Heating element guard



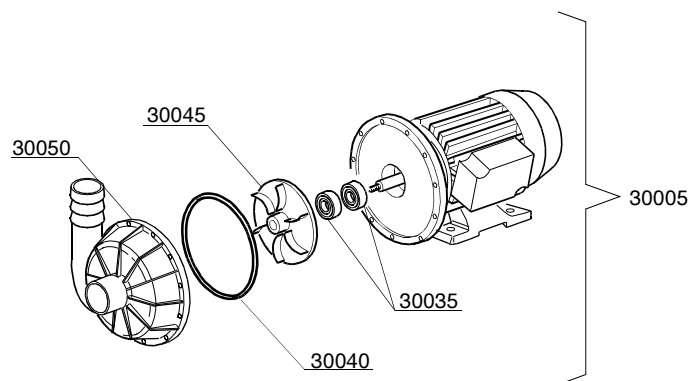
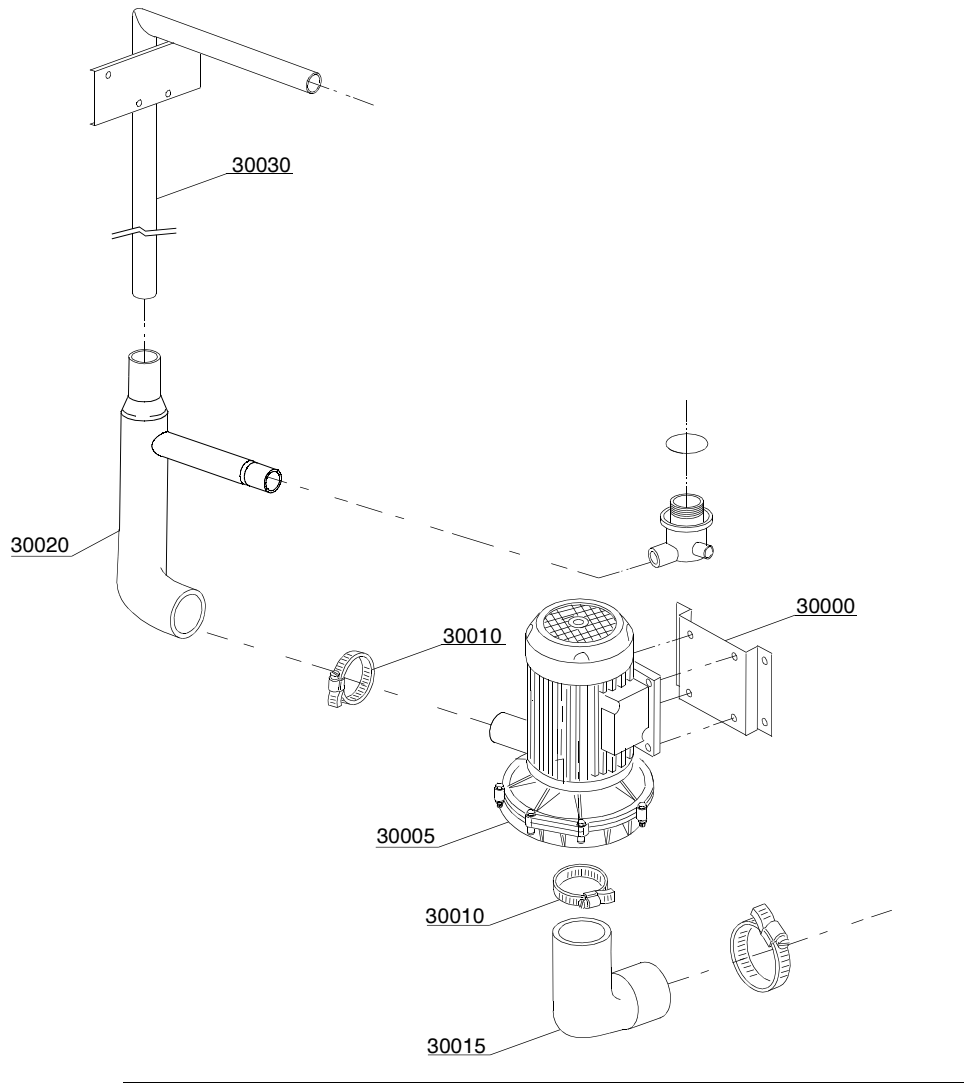
12\_003\_e



## Spare parts

---

ID	P-code	Model	Type	Accessory	Voltage	Description
MODULE:3 ways derivation						
30800	540091		373U			O12 mm plastic 3 ways derivation
30805	11807		373U			12/22 clamp
30805	15168		373U			Rinse ramp

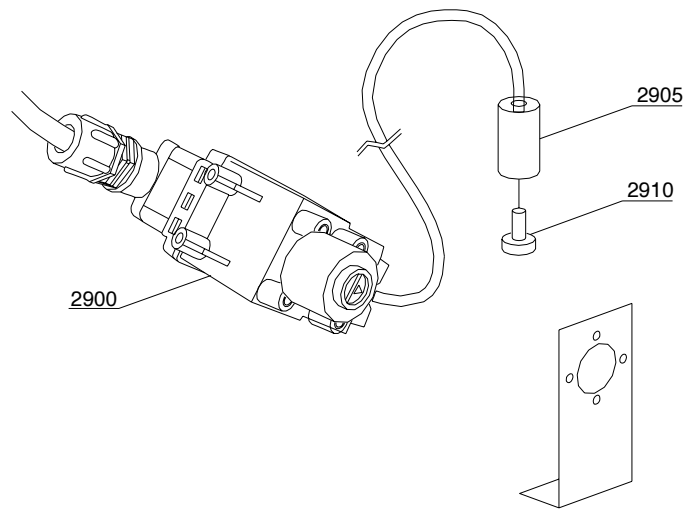
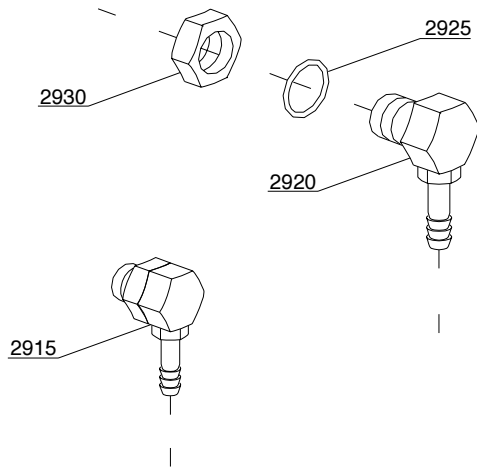


13\_120\_e

## Spare parts

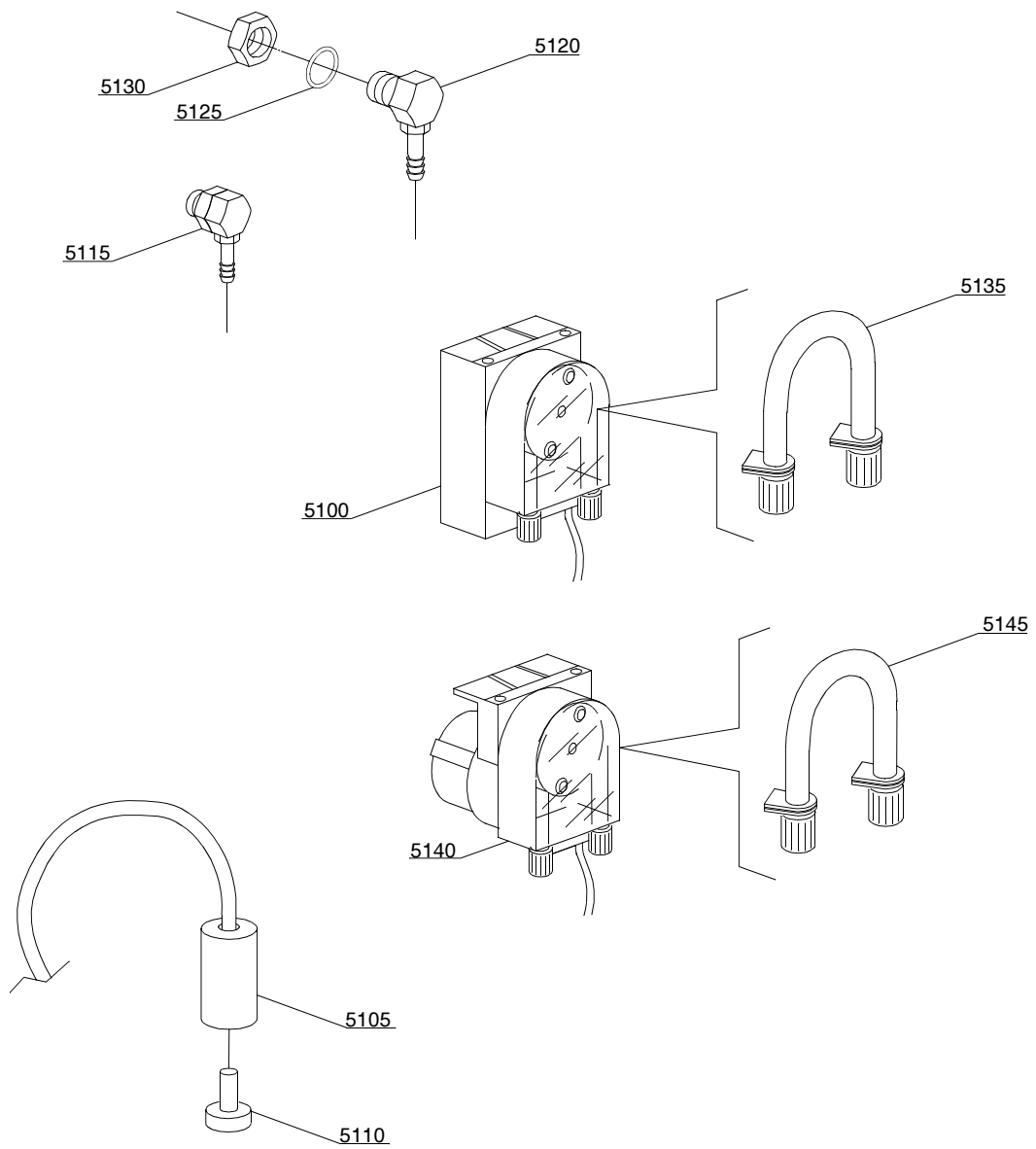
ID	P-code	Model	Type	Accessory	Voltage	Description
MODULE:Wash pump group						
30000	11600623		373U			Pump support hanger
30005	22037		373U			2Hp pump
30010	11824		373U			50/70 clamp
30015	11600100		373U			Suction pipe coupling
30015	3002020		373U			Elbow pipe coupling
30020	11600101		373U			Wash ramp delivery side pipe coupling
30025	11809		373U			30/45 clamp
30030	11600103		373U			Wash ramp
30035	15080		373U			Rotating seals
30040	10200290		373U			OR 1225 gasket
30050	10200222		373U			Scroll

14\_002\_e



## Spare parts

ID	P-code	Model	Type	Accessory	Voltage	Description
MODULE:Dosing device group						
2900	15108/L		373U	dd		Lang dosing device
2905	12525		373U	dd		Counter-weight
2910	15058		373U	dd		Small filter
2915	15123		373U	dd		Compleat plastic injector
2920	15148		373U	dd		Steel injector
2925	15159		373U	dd		OR gasket
2930	10200205		373U	dd		M12x1 stainless steel nut

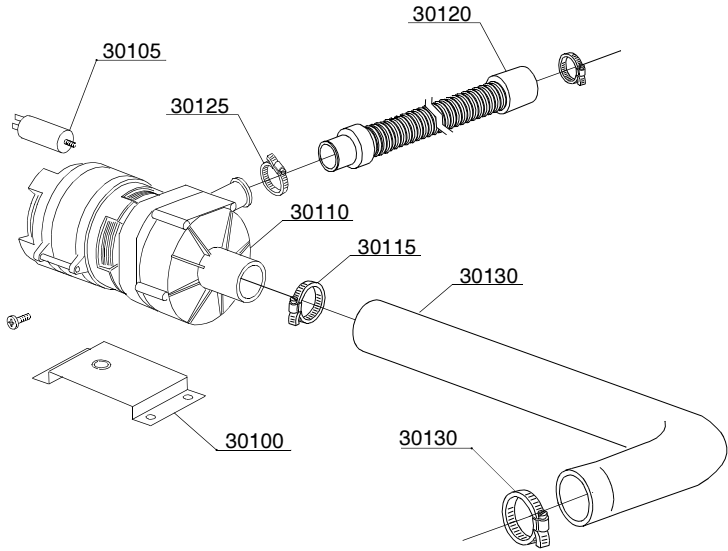


14\_004\_e

## Spare parts

ID	P-code	Model	Type	Accessory	Voltage	Description
MODULE:Dosing device group						
5100	15985		373U	dd		Seko dosing device
5105	12525		373U	dd		Counter-weight
5110	15058		373U	dd		Small filter
5115	15123		373U	dd		Compleat plastic injector
5120	15148		373U	dd		Steel injector
5125	15159		373U	dd		OR gasket
5130	10200205		373U	dd		M12x1 stainless steel nut
5135	15185		373U	dd		Seko thermoplastic pipe
5140	15985		373U	dd		Germac dosing device
5145	15108/E		373U	dd		Germac thermoplastic pipe

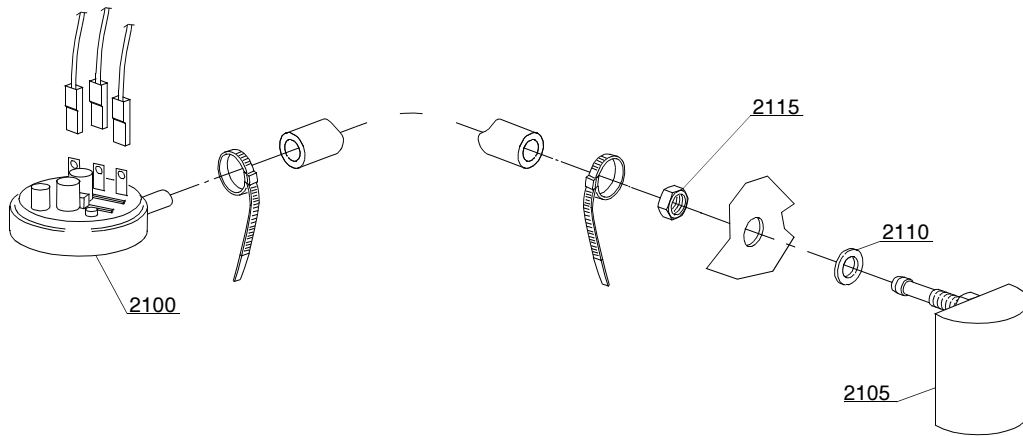
15\_005\_e





## Spare parts

ID	P-code	Model	Type	Accessory	Voltage	Description
MODULE:Drain pump group						
30100	440122		373U	dp		Pump support
30105	10702		373U	dp		5 uF condenser
30110	10501/A		373U	dp		Drain pump
30115	11806		373U	dp		25/40 clamp
30120	10727		373U	dp		Drain pipe
30125	11809		373U	dp		30/45 clamp
30130	18788		373U	dp		Delivery pipe coupling

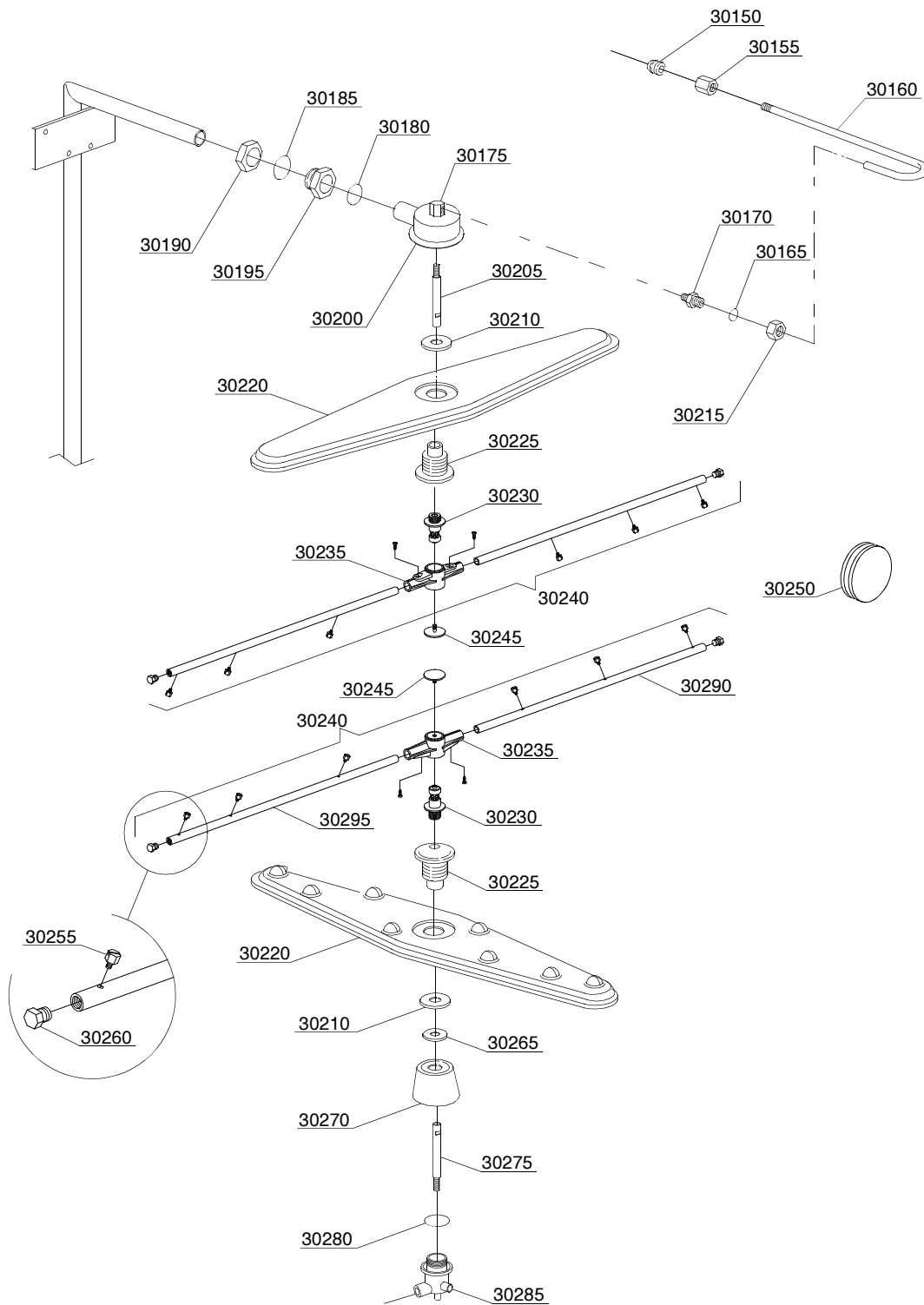


16\_001\_e

## Spare parts

---

ID	P-code	Model	Type	Accessory	Voltage	Description
MODULE:Pressure switch group with air trap						
2100	88110		373U			260-30 pressure switch
2105	10911		373U			Air trap assembly
2110	13301		373U			Gasket
2115	11702		373U			M8 stainless steel nut



## Spare parts

ID	P-code	Model	Type	Accessory	Voltage	Description
MODULE:Turret group with rotating arms						
30150	13304		373U			Pipe-pass gasket
30155	12526		373U			Stainless steel pipe coupling
30160	75066		373U			Top rinse ramp
30165	13003		373U			OR 112 NBR gasket
30170	12006		373U			O10 rinse pipe fitting
30175	75319		373U			Rinse elbow
30180	13004		373U			OR 3137 NBR gasket
30185	13008		373U			OR 147 NBR gasket
30190	15042/A		373U			Nut
30195	15042		373U			1" 1/4 ring nut
30200	78001		373U			Stainless steel turret for rotor
30205	75322		373U			Top rinse axle extension
30210	75317		373U			Nut for hub
30215	12006/A		373U			O10 pipe fitting 3/8x3,5 nut 19 hexagonal
30220	10600900		373U			Wash rotor
30225	75320		373U			Hub for rotor
30230	10651		373U			Rinse axle
30235	10650		373U			Rinse rotor
30240	75918		373U			Top/lower rinse group
30245	10652		373U			Rinse screw
30250	13316/A		373U			DVGW hole gasket
30255	560018		373U			Stainless steel rinse nozzle
30260	560017		373U			Rinse arm plug
30265	11600033		373U			Reduction flow ring
30270	11600007		373U			Lower turret
30275	11600021		373U			Lower rinse axle
30280	13015		373U			6225 OR 160 NBR gasket
30285	500621		373U			Lower turret
30290	10657		373U			Right rinse arm - stainless steel nozzle
30295	10658		373U			Left rinse arm - stainless steel nozzle