



Scherbeneisbereiter, Wasserk., 620 kg/24 h, ohne Speicher

Artikel-Nr.
711090 (MUSTER600W)

Explosionszeichnung / Ersatzteile

Bitte bei Ersatzteilbestellung immer Artikelnummer und
Seriennummer mit angeben!



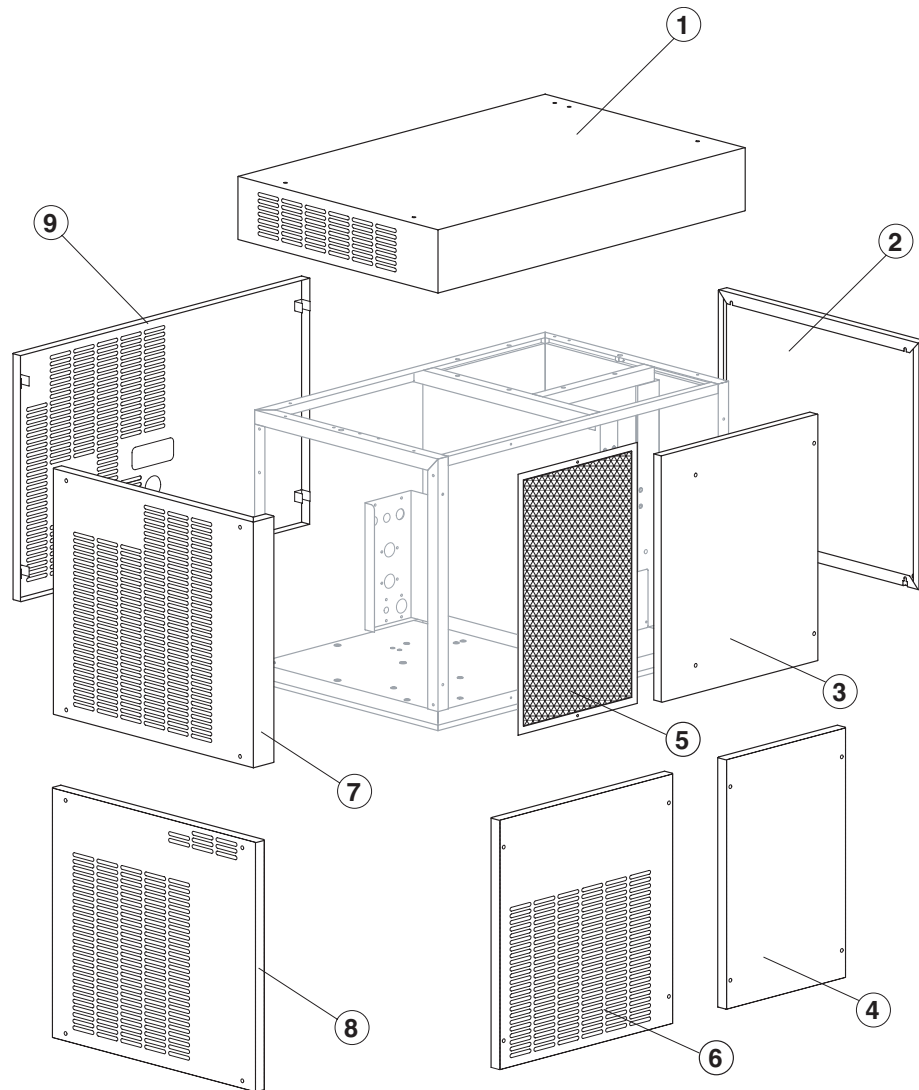
SHELL ASSY

COOLING SYSTEM

EVAPORATOR

PUMP

ELECTRIC PARTS



Rev. 8 - 28/05/2018

Common Parts

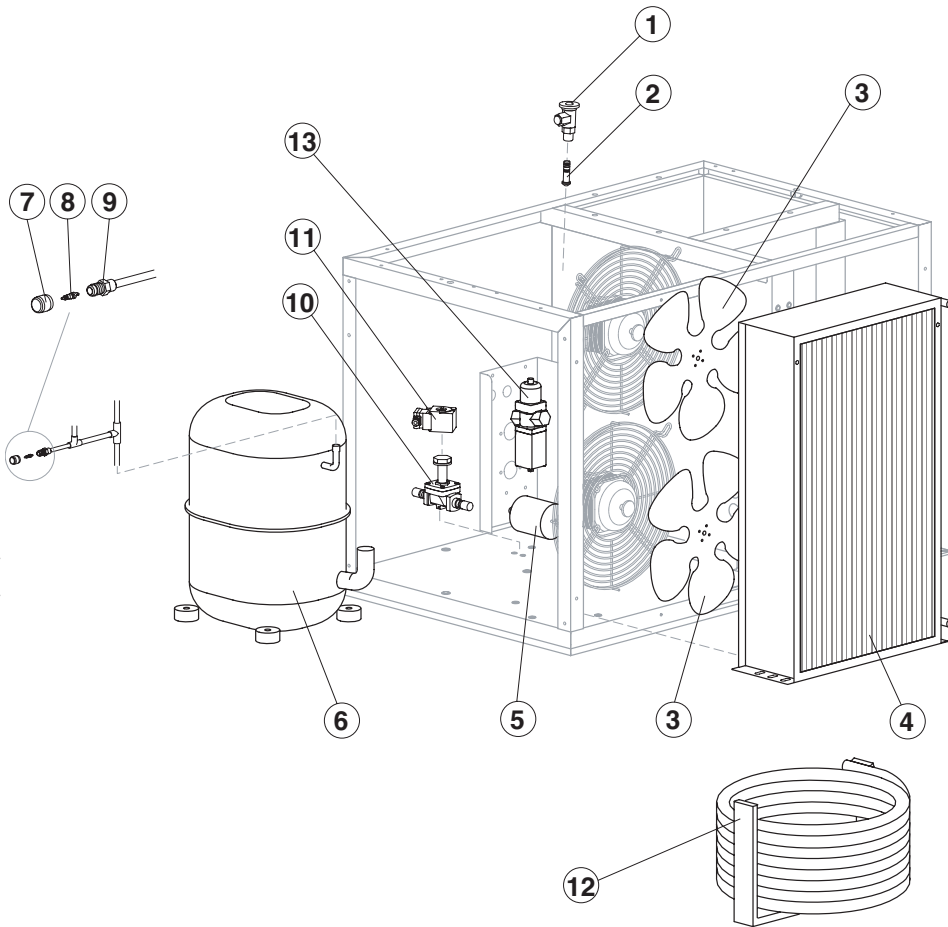
| Ref. | Spare Description | Code |
|------|-------------------|--------|
| 1 | Top Assembly | C22422 |
| 2 | Right Side Panel | 22425 |
| 9 | Rear Panel | 22427 |

Parts for Air-Cooled Version Only

| Ref. | Spare Description | Code |
|------|------------------------------|--------|
| 3 | Front Panel(Evaporator Side) | 221031 |
| 5* | Filter | 18200 |
| 7 | Left Side Panel | 221032 |

Parts for Water-Cooled Version Only

| Ref. | Spare Description | Code |
|------|-------------------------------|--------|
| 4 | Front Panel (Evaporator Side) | 22424 |
| 6 | Front Panel (Group Side) | C22423 |
| 8 | Left Side Panel | 22426 |



| Ref. | Spare Description | Code |
|------|----------------------------|------------------------|
| 1 | Expansion Valve | 20734 |
| 2 | Orifice | Current Version 20943 |
| 2 | Orifice | Till s/n. 471184 20797 |
| 5* | Solid Core Drier | 14084 |
| 6 | Compressor | See Table |
| 7* | Vacuum-Charge Valve Plug | 14006 |
| 8* | Vacuum-Charge Valve Device | 14005 |
| 9 | Vacuum-Charge Valve Body | 14007 |
| 10* | Hot Gas Valve Body | 20409 |
| 11* | Hot Gas Valve Coil | 231294 |

Parts for Air-Cooled Version Only

| Ref. | Spare Description | Code |
|------|-------------------|-------|
| 3 | Sucking Fan | 20153 |
| 4 | Air Condenser | 20406 |

Parts for Water-Cooled Version Only

| Ref. | Spare Description | Code |
|------|--------------------|-------|
| 12 | Water Condenser | 14617 |
| 13 | Pressostatic Valve | 20149 |

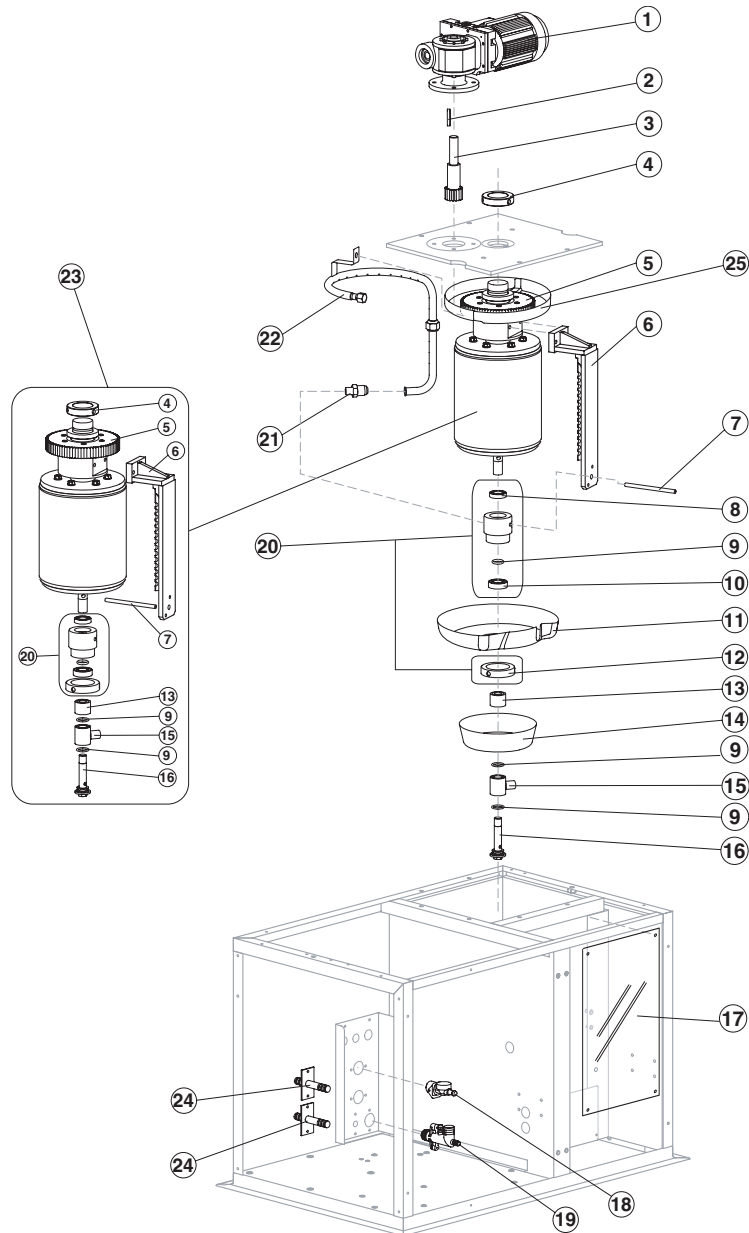
Ref. 6 - Compressor

| Voltage | Code | |
|---------|--------|------------------|
| T15-T17 | 231183 | current version |
| T15 | 23583 | till s/n. 785150 |
| T16 | 231185 | current version |
| T16 | 23618 | till s/n. 785150 |



MUSTER 600

EVAPORATOR

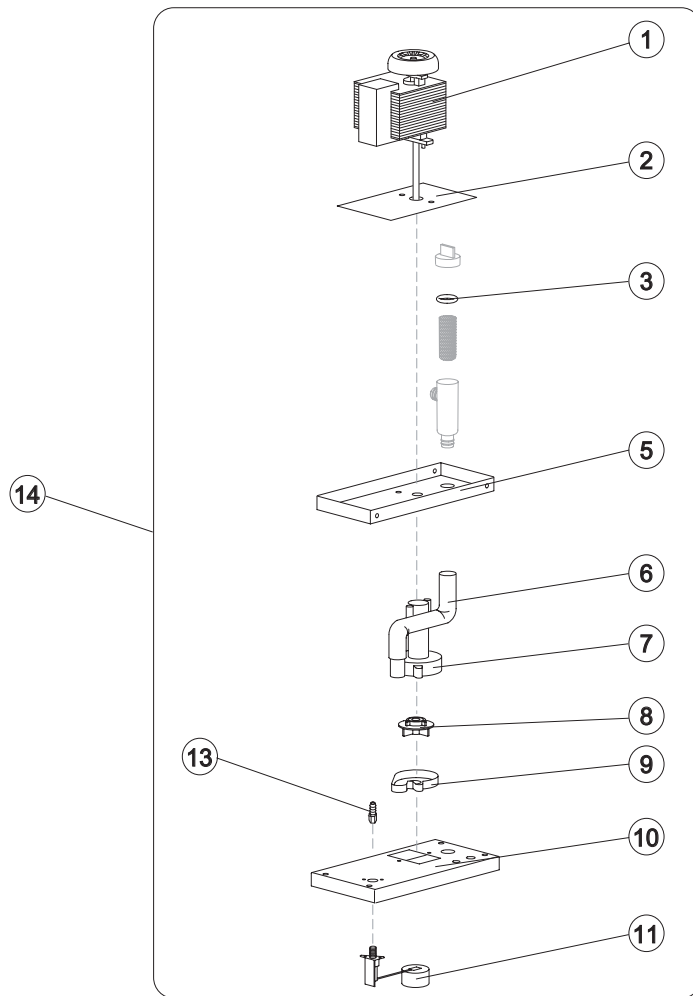


| Ref. | Spare Description | Code | |
|------|---------------------------------|------------------|--------|
| 1 | Gearmotor Assy | C23412 | |
| 2 | Key 6x6x40 | 20350 | |
| 3 | Pinion with Shaft for Gearmotor | C20344 | |
| 4 | Cylinder Locking Ring Nut | 20324 | |
| 5 | Ring Gear | 20354 | |
| 6 | Scraper | 20866 | |
| 7 | Tie Rod (to Block Scraper) | 20865 | |
| 8 | Stainless Steel Bearing | 20531 | |
| 9 | Silicone OR 4081 Gasket | 20338 | |
| 10 | Stainless Steel Bearing | 20045 | |
| 11 | Rotating Basin | 10184 | |
| 12 | Ring Nut for Rotating Ring | 10182 | |
| 13 | Spacer | 10519 | |
| 14 | Fixed Basin | C10598 | |
| 15 | Water Inlet Ring | 20851 | |
| 16 | Screw | 20849 | |
| 17 | Evaporator Chamber Shield | 10522 | |
| 18 | 1 Way- Water Inlet Nipple | 10239 | |
| 19 | Discharges Manifold | 10580 | |
| 20 | Complete Rotating Ring | C10180 | |
| 21 | Joint | 20335 | |
| 22 | Sprayer Ring | C20867 | |
| 23 | Evaporator | C11149 | |
| 25 | Ring Gear Cover | From s/n. 555325 | C10629 |

Parts for Water-Cooled Version Only

| Ref. | Spare Description | Code |
|------|-----------------------|--------|
| 24 | Connection with Plate | C20462 |

Rev. 8 - 28/05/2018



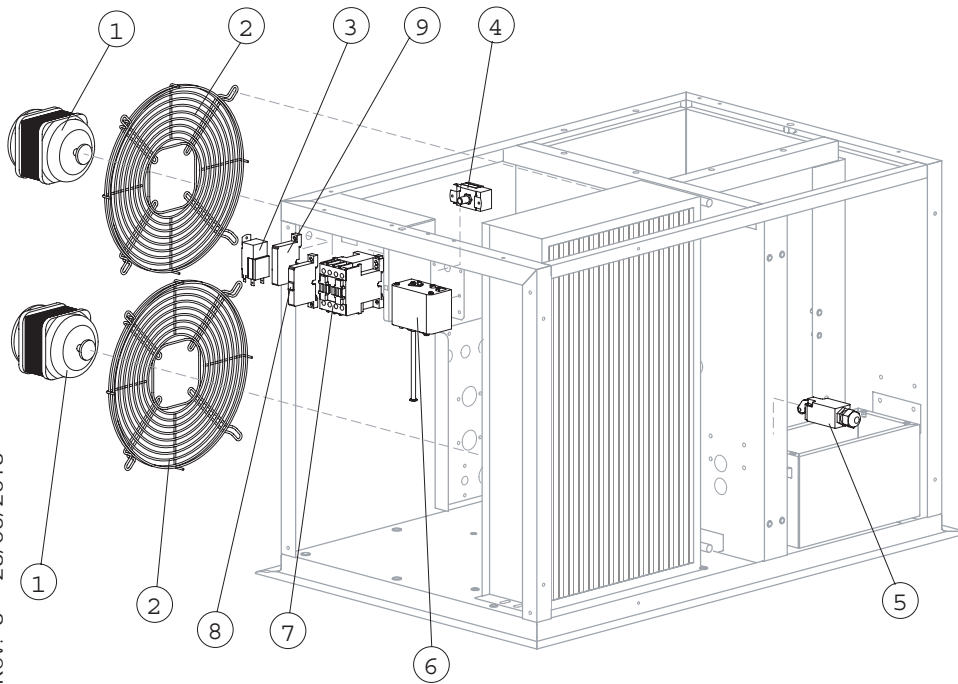
| Ref. | Spare Description | Code |
|------|-----------------------------|-----------|
| 1 | Pump Motor | See Table |
| 2 | Heat Dissipator | 22430 |
| 3 | Pump Filter Gasket | 13080 |
| 5 | Pump Motor Support | 10161 |
| 6 | Pump-Filter Connection Pipe | 13084 |
| 7 | Pump Body | 10065 |
| 8 | Pump Impeller | 10190 |
| 9 | Diffusor | 10067 |
| 10 | Water Pump Basin Cover | 22420 |
| 11* | Floating Valve | 10188 |
| 13 | Connection | 20799 |
| 14* | Pump and Filter Assy | See Table |

Ref. 1 - Pump Motor

| Voltage | Code |
|---------|-------|
| T15 | 23073 |
| T16 | 23187 |
| T17 | 23187 |

Ref. 14* - Pump and Filter Assy

| Voltage | Code |
|---------|--------|
| T15 | C26736 |
| T16 | C26737 |
| T17 | C26737 |



| Ref. | Spare Description | Code |
|------|---|----------------------------|
| 3* | Bin Thermostat | R23005 |
| 4 | Safety Pressure Switch (Maximum Pressure) | 23342 |
| 5 | Microswitch for Overflow Ice | 23746 |
| 6 | Pressure Switch (Minimum Pressure) | 23763 |
| 7* | Contactor | See Table |
| 8 | Thermomagnetic circuit breaker | 23910 |
| 9 | Electronic Delay Timer | From s/n. 515699 231033 |

Parts for Air-Cooled Version Only

| Ref. | Spare Description | Code |
|------|-------------------|-------|
| 1* | Fan Motor | 23121 |
| 2 | Fan Motor Grid | 12054 |

Ref. 7* - Contactor

| Voltage | Code |
|---------|-------|
| T15 | 23147 |
| T16 | 23963 |
| T17 | 23147 |

Rev. 8 - 28/05/2018