

cookmax+




start!

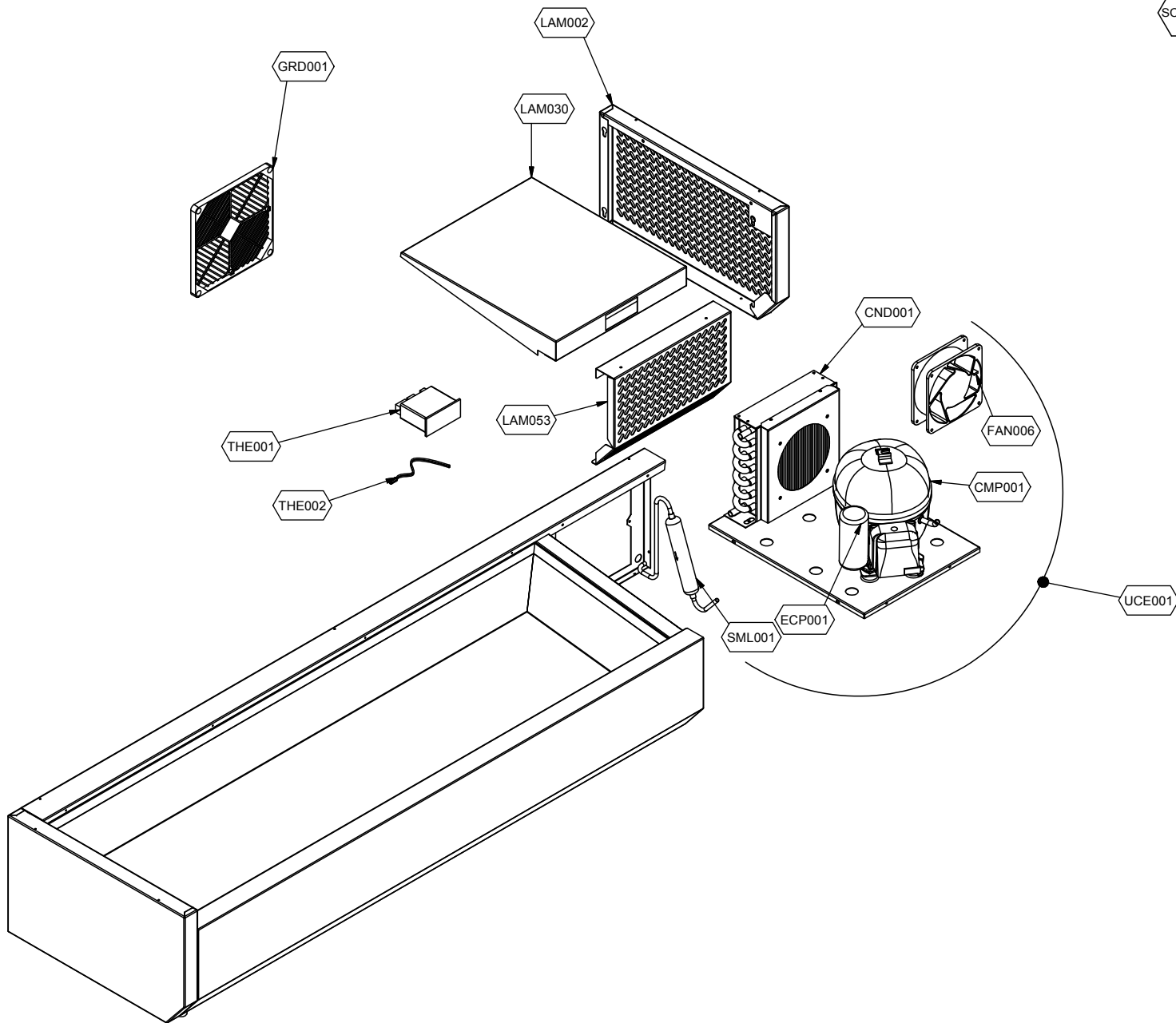
Kühlung Kühl-Aufsatzvitrine mit Edelstahldeckel

Artikel-Nr.
554039 (7VS20G3K4AP01 / VRS2005K)

Explosionszeichnung / Ersatzteile

Bitte bei Ersatzteilbestellung immer Artikelnummer und Seriennummer mit angeben!

	PARAM.	OPTIONAL
		
SCE001	TAR001	OPT

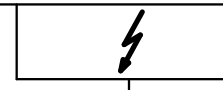


Cod. OPT005

Denominazione: OPTIONAL VRS

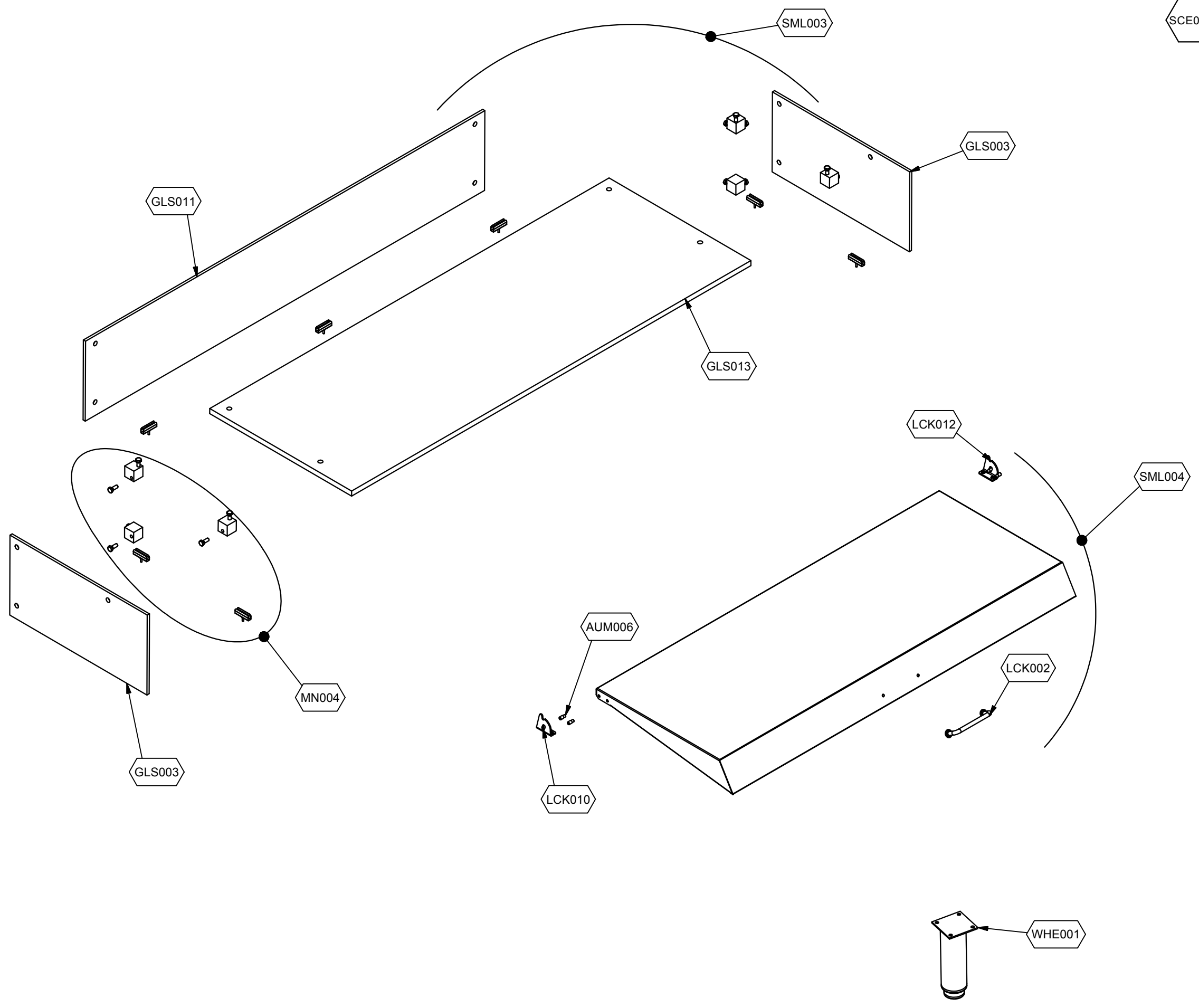
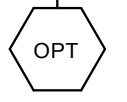
Data: 00

INDICE DI MODIFICA: 00



PARAM.

OPTIONAL



Exploded View

Validity: 08/04/2016

7VS20G3K4AA01	REFR. SPRING GN 1/3 2005 C.INOX
ESP320	VETRINE VRS +2/+7°C

Ref. Drawing	Code	Description
CMP001	74865722	COMPR. EMT6152GK CSIR 230V/50HZ R404A
CND001	74837052	CONDENS.155X44XH183 7TX2R PA4MM VRK SA
ECP001	74867008	PARTI ELETTR.COMPR.EMT6152GK CSIR
FAN006	74847159	VENT.ADDA AA1282HB-AT 230V 50/60HZ 16W
GRD001	74846534	GRIGLIA PLASTICA COND.VRK
LAM002	72610806	LAM.TESTATA DX VRS 1/3
LAM030	72610810	LAM.COPERTURA MOTORE VRS 1/3
LAM053	72610800	LAM.CRUSCOTTO VRS 1/3
SCE001	SC895	SCHEMA ELETTRICO VRS SPRING
SML001	73670238	ASS.FILTRO VRK/VRS
TAR001	RIF.TAR.M03	PARAMETRI VASCH.REFR.SPRING. VRS
THE001	74700776	CENTRALINA EV3B33N7PXRBO2 230V 50/60 30A
THE002	74700917	SONDA NTC IKE 1.5MT -50/+105°
UCE001	74861900	UCE EMT6152GK R404A VRS 1/3 230/50

Optional Exploded View

Validity: 08/04/2016

7VS20G3K4AA01	REFR. SPRING GN 1/3 2005 C.INOX
OPT023	ESPLOSO ACCESSORI VRS

Ref. Drawing	Code	Description
AUM006	72553650	PERNO COPERCHIO SX 60 TT
LCK002	74701598	MANIGLIA CROM.25*104*8
LCK010	72553677	CERNIERA SX COPERC.PIEG. SX TT
LCK012	72553676	CERNIERA DX COPERC.PIEG. SX TT
SML004	71379070	ASS.COPERCHIO VRS 2005 1/3