

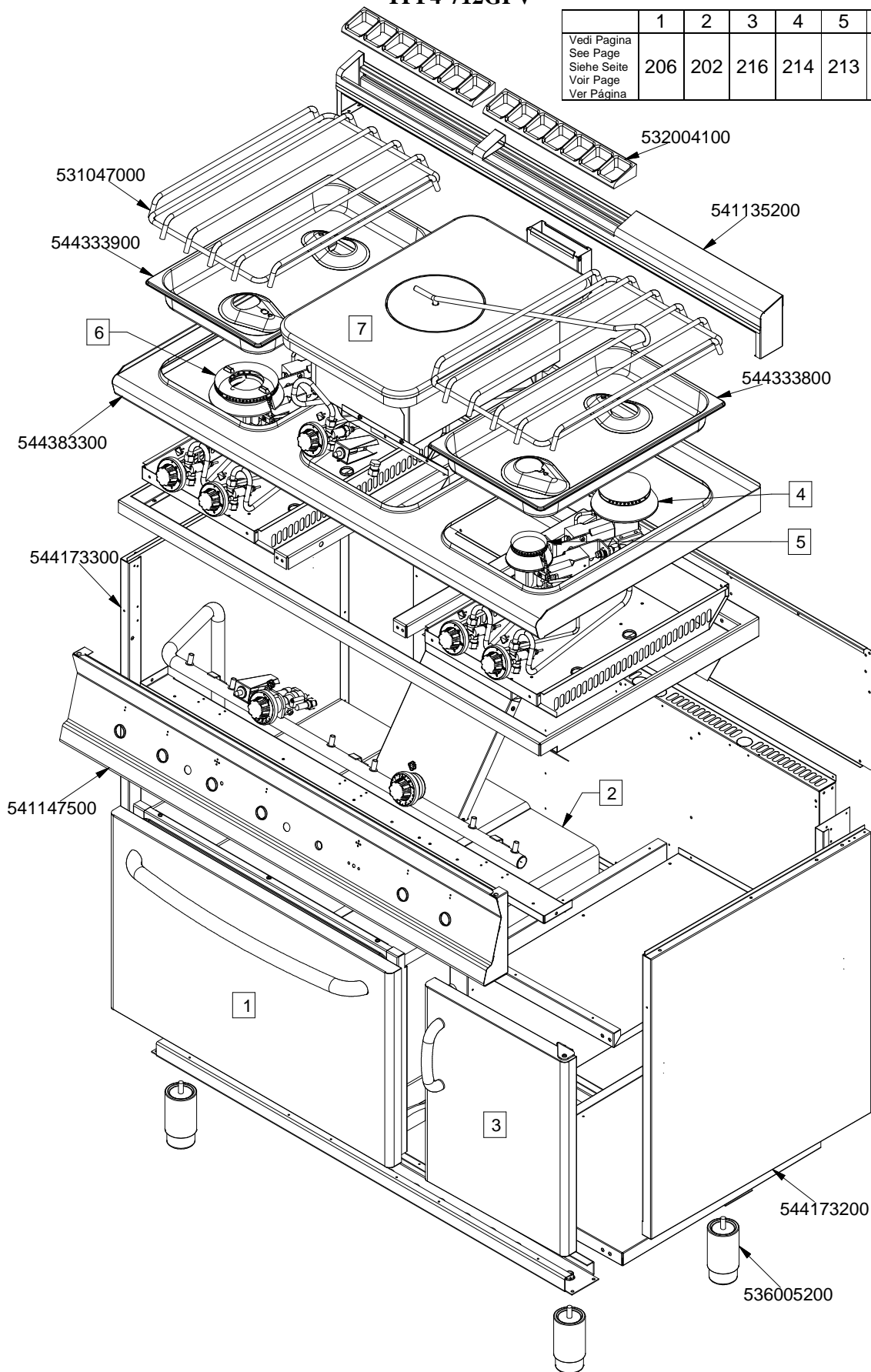
SUPERLOTUS 70≥0602

CUCINE / RANGES / HERDE / CUISINIÈRES

TPF...

TPF4-712GPV

	1	2	3	4	5	6	7
Vedi Pagina See Page Siehe Seite Voir Page Ver Pàgina	206	202	216	214	213	215	218



560042900M00P00

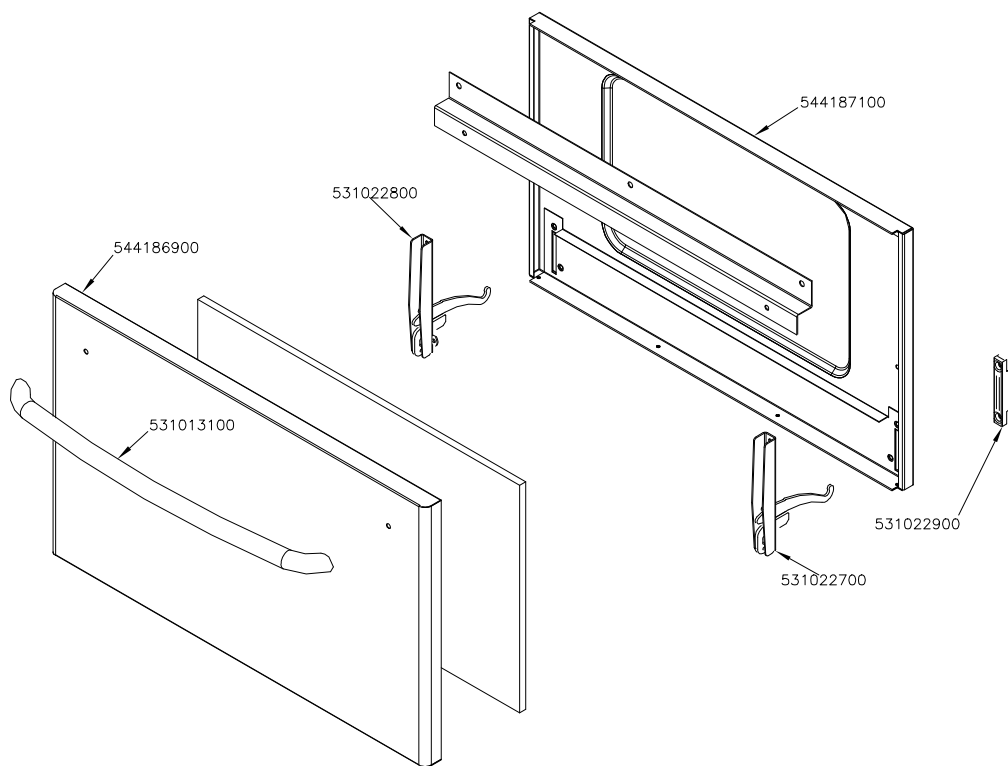
SUPERLOTUS 70≥0602

CUCINE / RANGES / HERDE / CUISINIÈRES

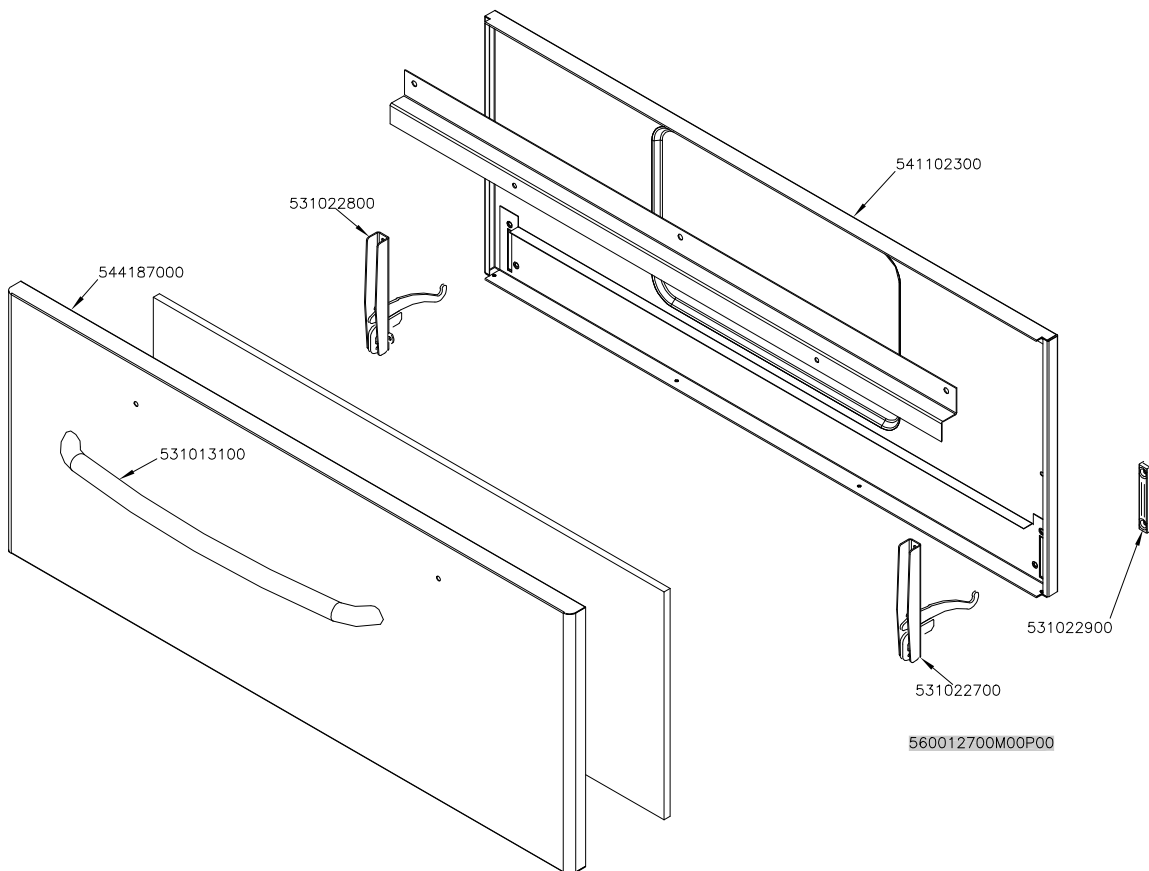
FORNO / OVEN / BACKOFEN / FOUR

PORTE / DOORS / TÜREN / PORTES

GN 2/1

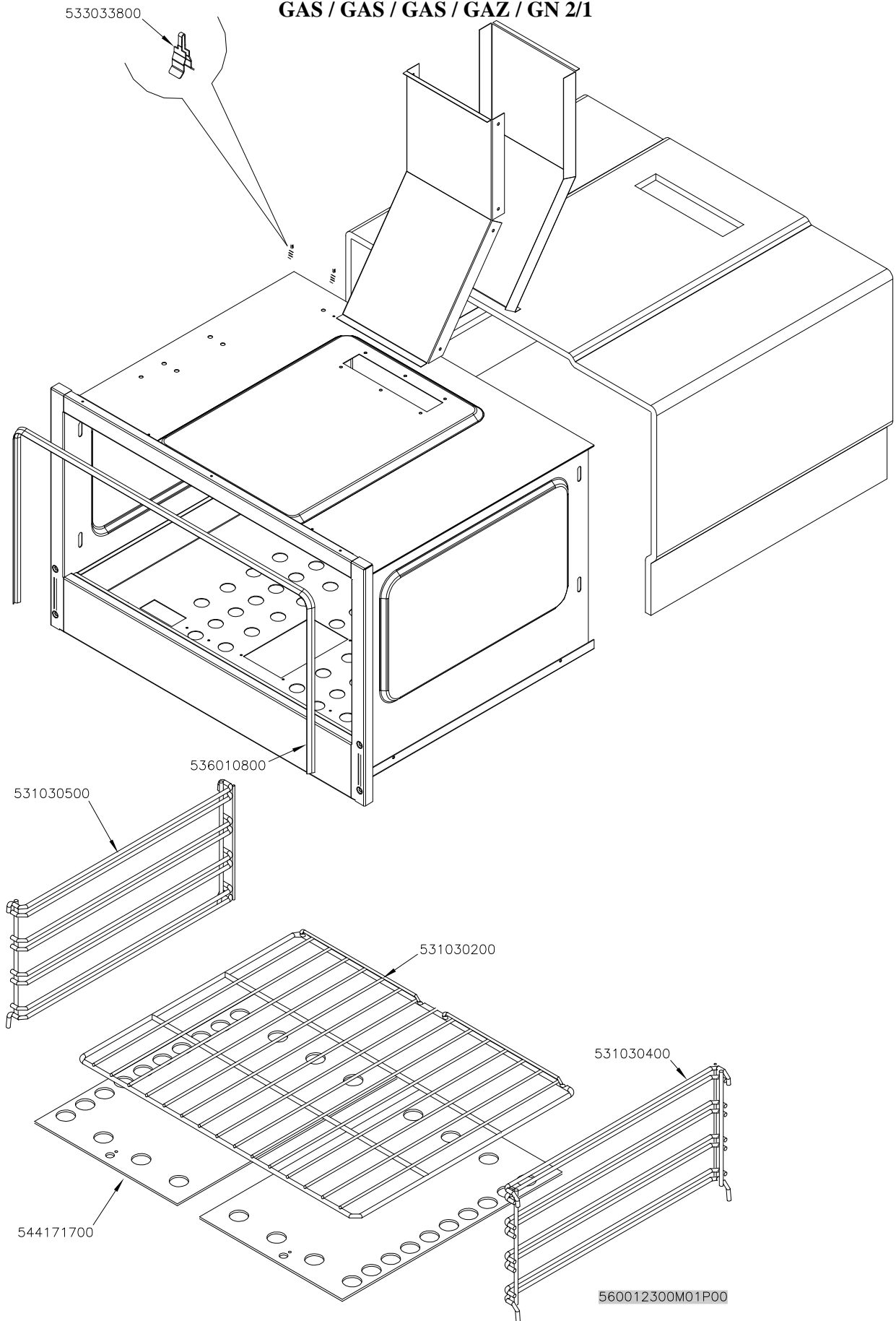


GN 3/1



SUPERLOTUS 70≥0602
CUCINE / RANGES / HERDE / CUISINIÈRES
FORNO / OVEN / BACKOFEN / FOUR

GAS / GAS / GAS / GAZ / GN 2/1

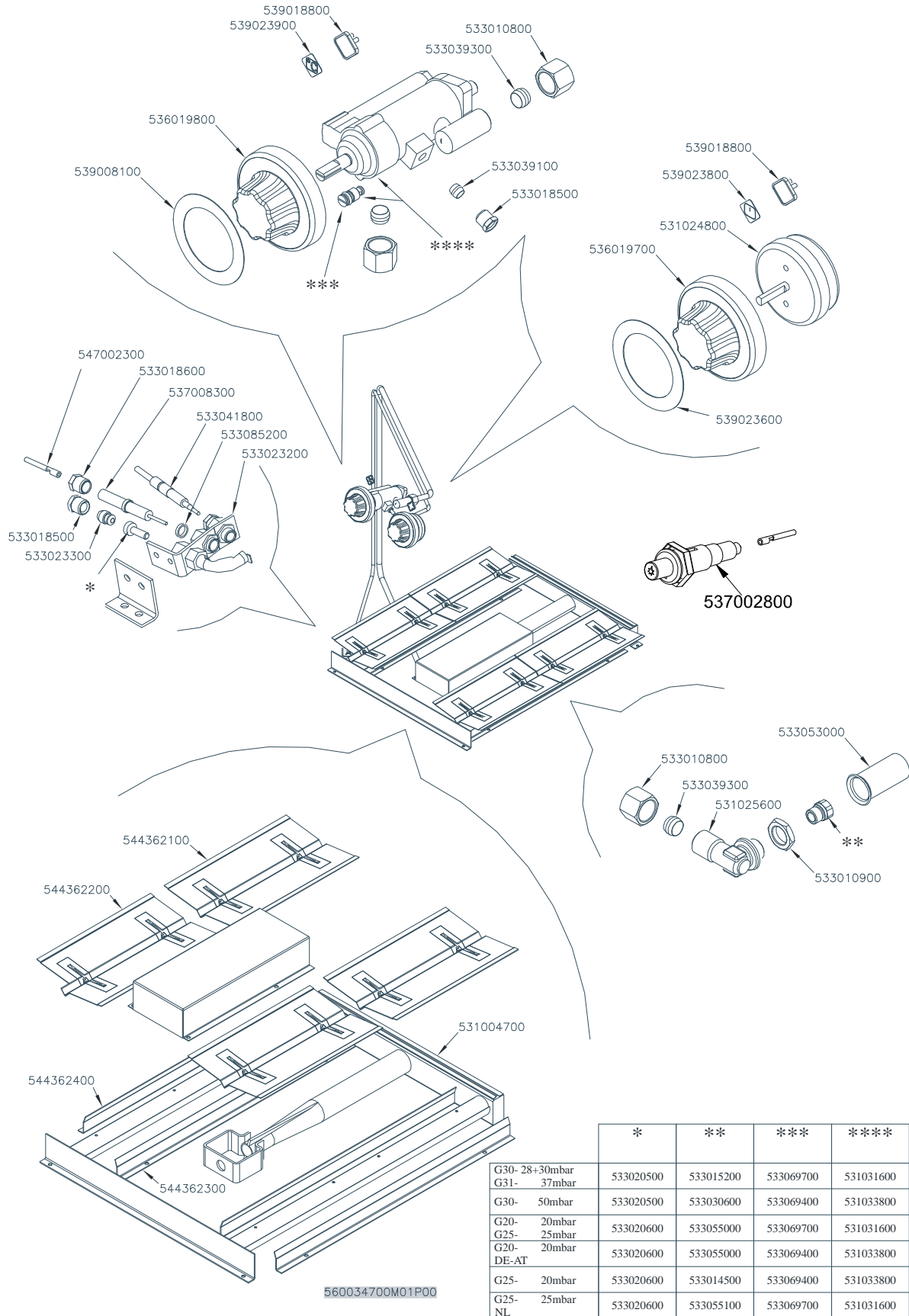


SUPERLOTUS 70≥0602

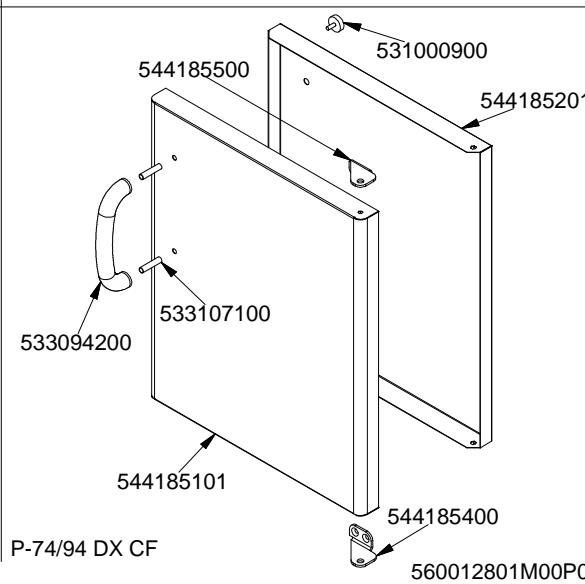
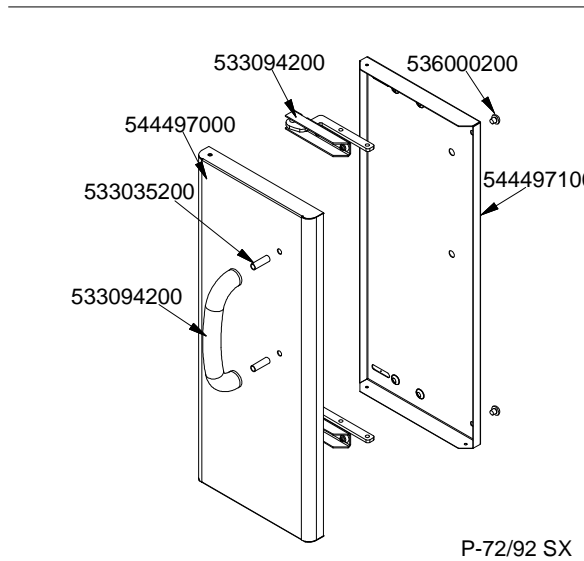
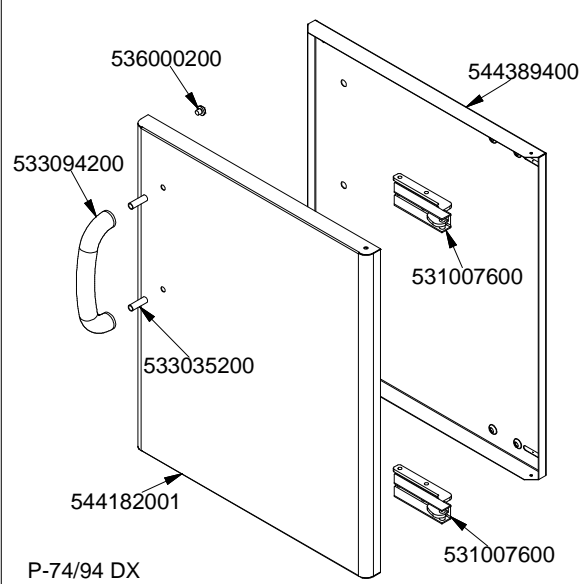
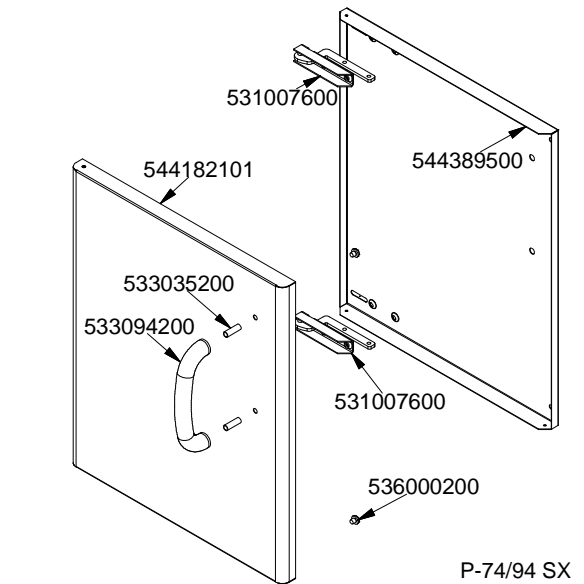
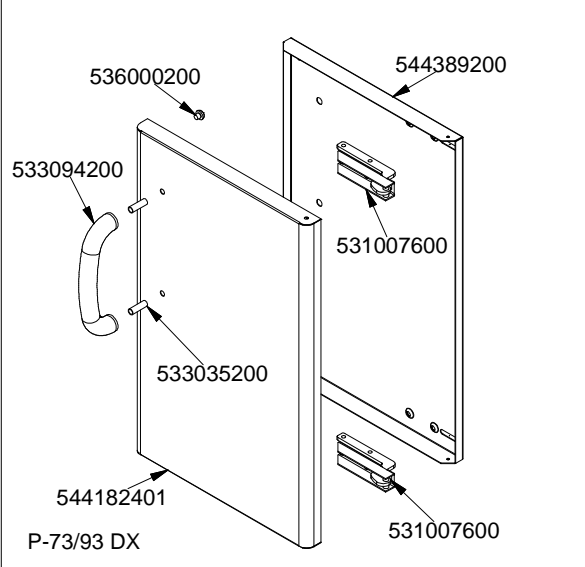
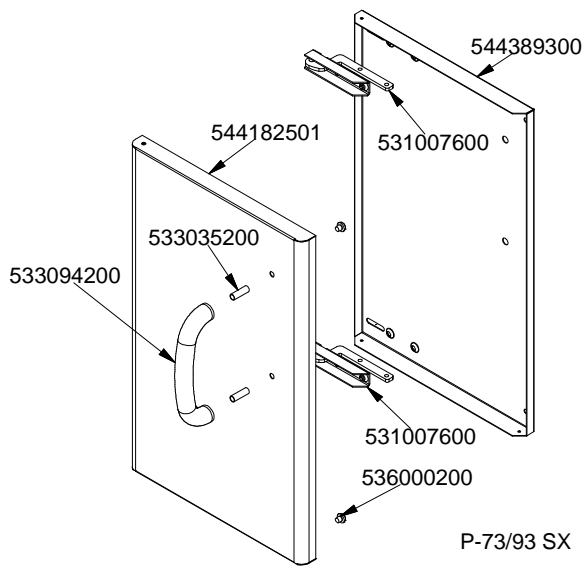
CUCINE / RANGES / HERDE / CUISINIÈRES

FORNO / OVEN / BACKOFEN / FOUR

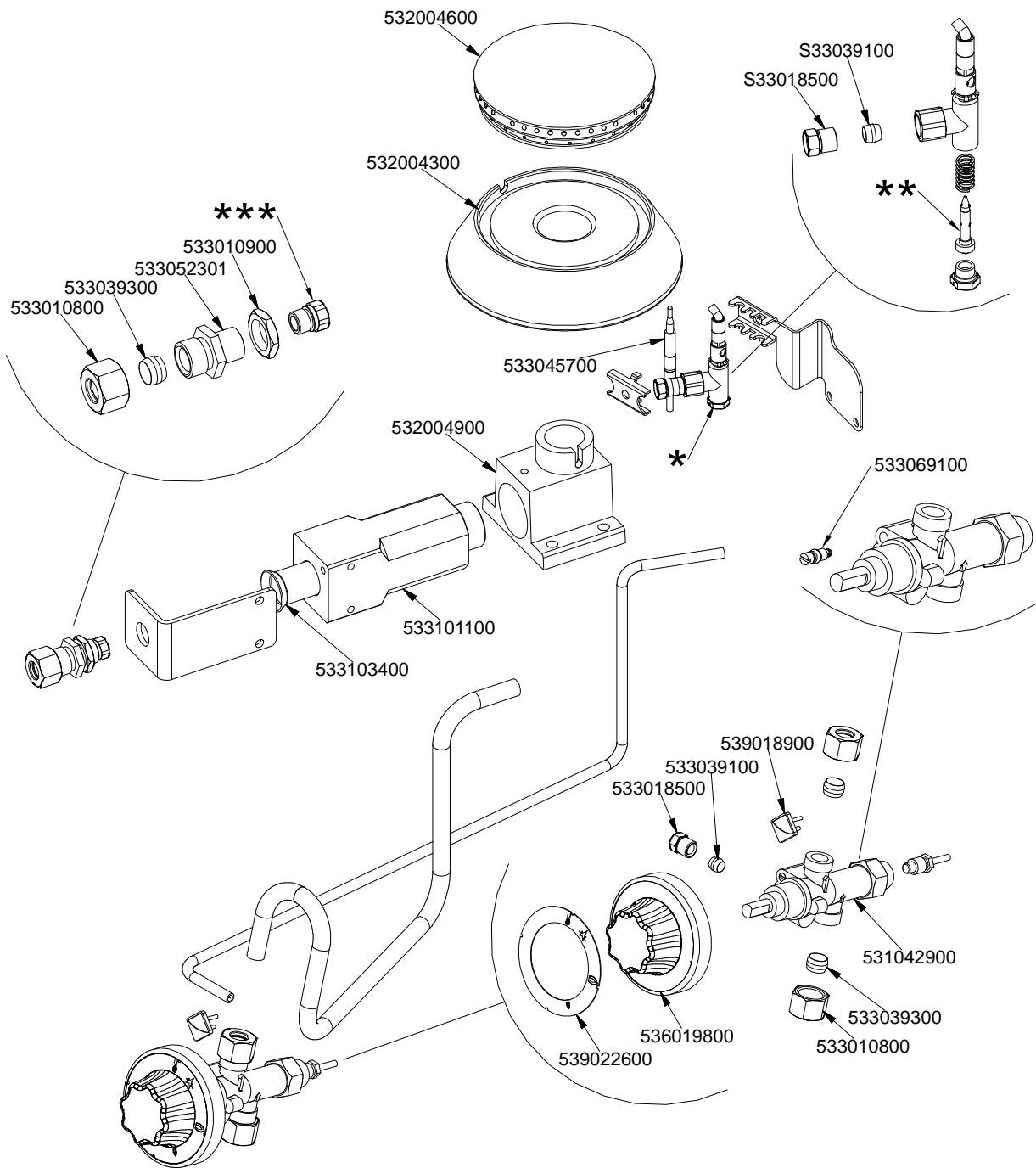
GAS / GAS / GAS / GAZ / GN 2/1



PORTE / DOORS / FLÜGELÜREN / PORTES



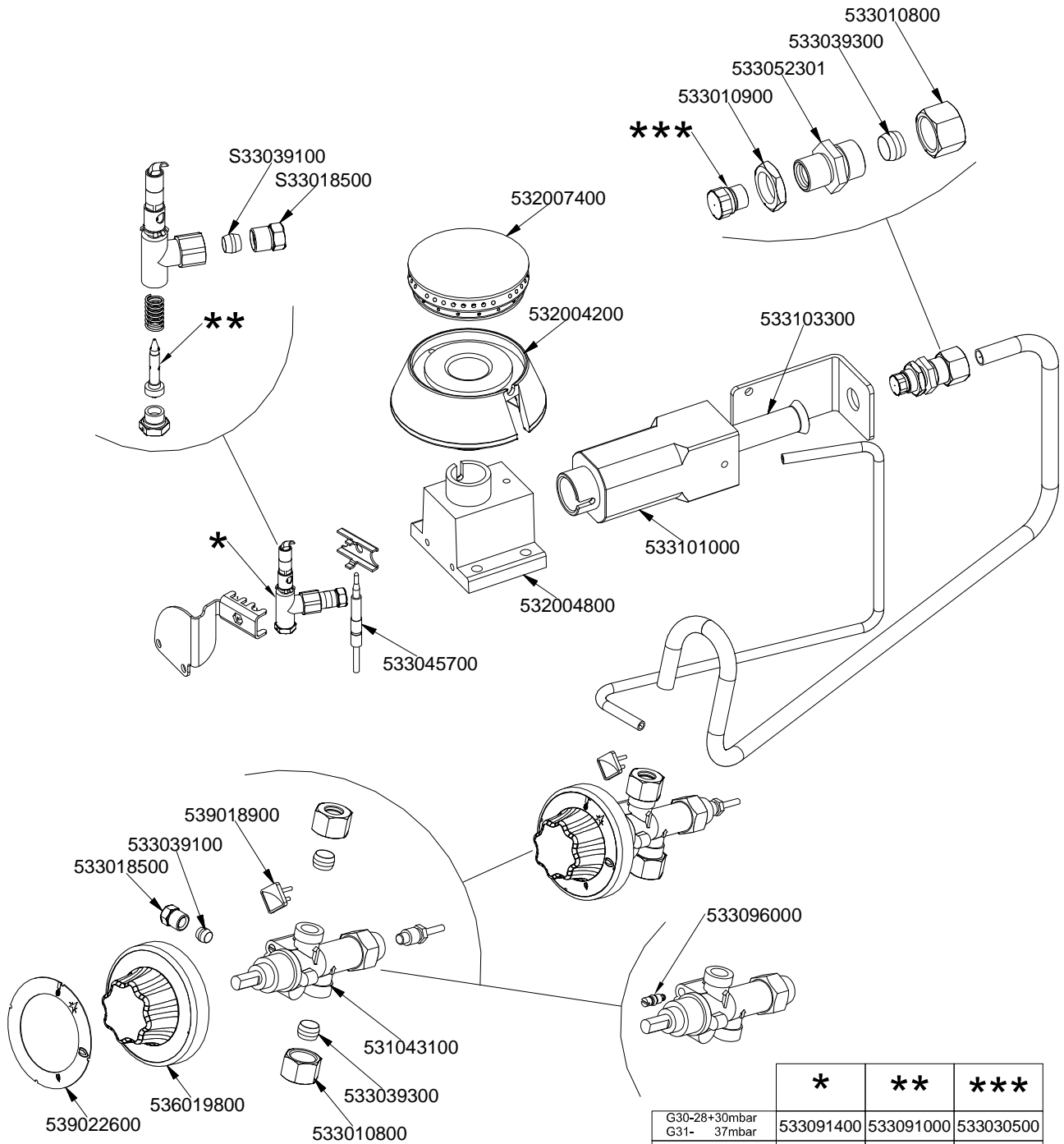
PC-G R



	*	**	***
G30-28+30mbar G31- 37mbar	533091400	533091000	533043900
G30- 50mbar	533091400	533091000	533019300
G20- 20mbar G25- 25mbar	533091500	533091200	533031000
G20- 20mbar DE-AT	533091500	533091200	533031000
G25- 20mbar	533091500	533091200	533043500
G25- 25mbar NL	533091500	533091200	533019400

560038600M00P00

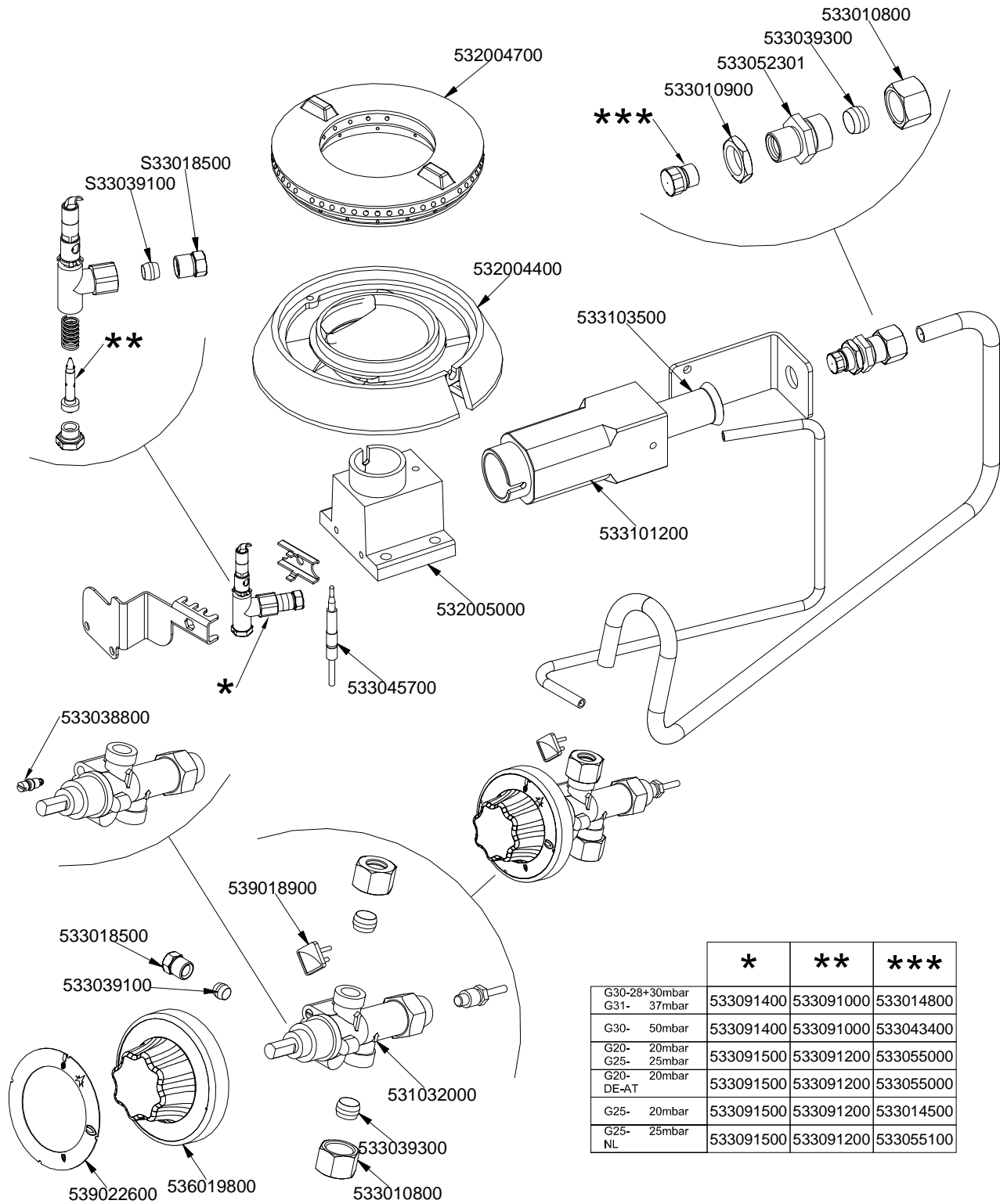
PC-G SR



	*	**	***
G30-28+30mbar G31- 37mbar	533091400	533091000	533030500
G30- 50mbar	533091400	533091000	533015100
G20- 20mbar G25- 25mbar	533091500	533091200	533015200
G20- 20mbar DE-AT	533091500	533091200	533015200
G25- 20mbar	533091500	533091200	533030800
G25- 25mbar NL	533091500	533091200	533014900
G20- 25mbar	533091500	533091200	533014800

560038500M00P00

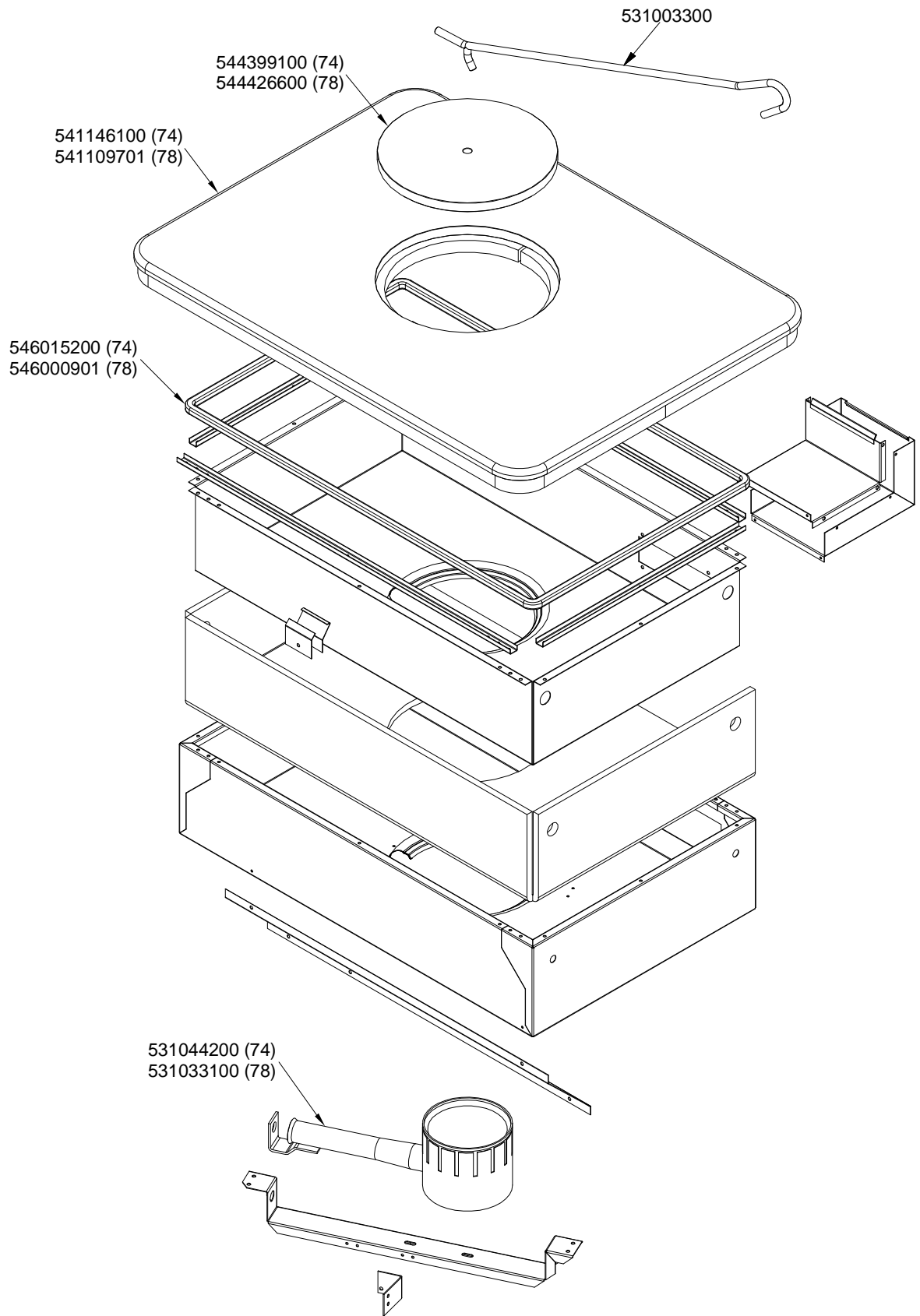
PC-G UR



	*	**	***
G30-28+30mbar G31- 37mbar	533091400	533091000	533014800
G30- 50mbar	533091400	533091000	533043400
G20- 20mbar G25- 25mbar	533091500	533091200	533055000
G20- 20mbar DE-AT	533091500	533091200	533055000
G25- 20mbar	533091500	533091200	533014500
G25- 25mbar NL	533091500	533091200	533055100

560038700M00P00.

TP

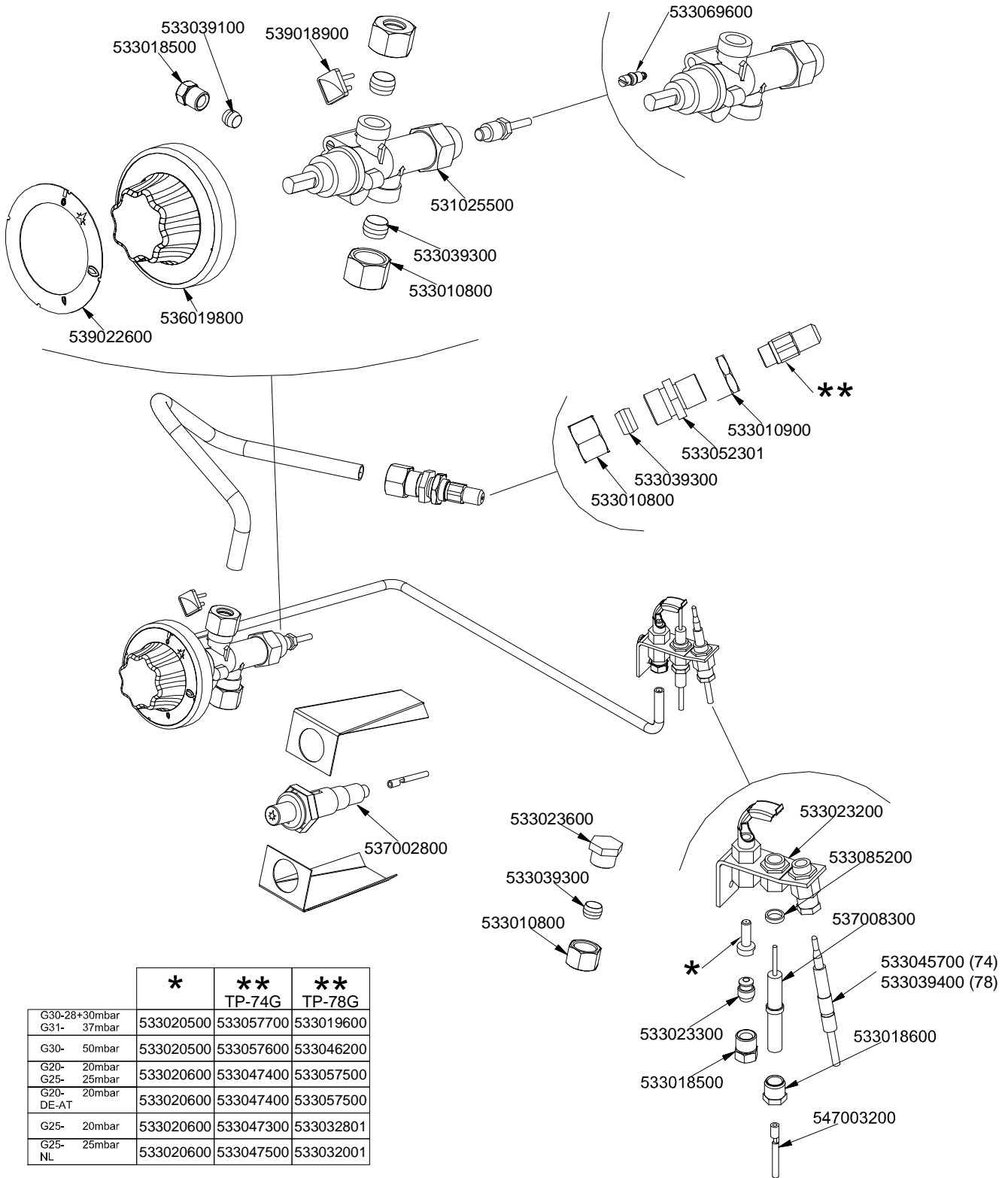


560041400M00P00

SUPERLOTUS 70≥0602

COMPONENTI COMUNI / STANDARDS PARTS / UEBLICHE TEILE / COMPOSANTS COMMUNS

TP



	*	**	**
		TP-74G	TP-78G
G30-28+30mbar G31- 37mbar	533020500	533057700	533019600
G30- 50mbar	533020500	533057600	533046200
G20- 20mbar G25- 25mbar	533020600	533047400	533057500
G20- 20mbar DE-AT	533020600	533047400	533057500
G25- 20mbar	533020600	533047300	533032801
G25- 25mbar NL	533020600	533047500	533032001

560035102M00P00

Page	Pos	Code	Description
001		532004100	FLUE GRID L=370 70LINE (RAF)
001		531047000	2 BURNER GRID FOR PC-700
001		541135200	LOW SPACER 712 2 LHD GRIDS
001		544333900	BURNER CONTAINER 1/1GN R 304
001		544333800	BURNER CONTAINER 1/1GN R 304
001		544383300	UPPER PLATE PC-712GP CF6-7128GP/GPE
001		544173300	LEFT SIDE PANEL RANGE S.70
001		541147500	CONTROL PANEL TPF4-912G
001		544173200	RIGHT SIDE PANEL RANGE S.70
001		536005200	INOX LEG 2" 120-180 M10
002		531013100	OVEN DOOR HANDLE OF 70/90-LINE
002		544186900	OVEN DOOR GN 2/1 S.70
002		531022800	LEFT OVEN DOOR HINGE S.70
002		544187100	OVEN INNER DOOR GN 2/1 S.70
002		531022900	HINGE DOOR WHEEL HOLDER S.70
002		531022700	RIGHT OVEN DOOR HINGE 70LINE
002		544187000	OVEN DOOR GN 3/1 S.70
002		541102300	GAS OVEN INNER DOOR GN 3/1 S.70
003		533033800	LOCK SPRING FOR BULB §6
003		536010800	OVEN GASKET GN 2/1 (1261)
003		531030500	LHD SUPPORT GRID FOR OVEN OF 70LINE
003		531030200	OVEN GRID GN 2/1 FOR 70 LINE
003		531030400	RHD SUPPORT GRID FOR OVEN OF 70LINE
003		544171700	BOTTOM FOR GAS OVEN GN2/1 700LINE
004		539018800	INDEX FOR OVEN KNOB
004		539023900	SIGN PLATE FOR OVEN TEMPERATURE
004		536019800	BLACK KNOB §70 PIN §8*6,5
004		539008100	ADHESIVE GRADUATED DISC FOR KNOB
004		533010800	TUBE NUT D.10 M16*1,5
004		533039300	BICONE §10
004		533039100	BICONE §6
004		533018500	FITTING FOR BICONE D.6 M10*1
004		539023800	SIGN PLATE FOR OVEN TIMER
004		531024800	TIMER 120'- 360°
004		536019700	BLACK KNOB §70 PIN §6*5
004		539023600	ADHESIVE GRADUATED DISC FOR KNOB
004		547002300	HIGH-VOLTAGE CABLE §2 L=1900
004		533018600	PLUG FITTING
004		537008300	ROUND PLUG §2,4- LONG ELECTRODE
004		533041800	THERMOCOUPLE 1500 M9*1
004		533085200	
004		533023200	"TARGET" PILOT + NIPPLE TC BRAC.90°
004		533023300	BICONE §6 ("TARGET" PILOT)
004		537002800	PIEZOELECTRIC IGNITION M18
004		533053000	AIR ADJUSTMENT BUSHING §18
004		531025600	ELBOW 90° NOZZLE-HOLDER §10 PIPE
004		533010900	NUT M14*1 H.4
004		544362100	UPPER BURNER DEFLECTOR FOR OVEN 70
004		544362200	UPPER PILOT DEFLECTOR FOR OVEN 70
004		531004700	BURNER FOR OVEN GN 2/1 S.70
004		544362400	SIDE PILOT DEFLECTOR FOR OVEN 70

Page	Pos	Code	Description
004		544362300	SIDE BURNER DEFLECTOR FOR OVEN 70
004		533020500	NOZZLE 0.140 §19
004		533015200	NOZZLE §145 CH12*14 F-FP/CP6
004		533069700	BY PASS COCK §075 25ST
004		531031600	HORIZON.THERMOSTATIC TAP BY-PASS 75
004		533030600	NOZZLE §125 CH12*14
004		533069400	BY PASS COCK §065 25ST
004		531033800	HORIZON.THERMOSTATIC TAP BYPASS §65
004		533020600	NOZZLE 0.140 §27
004		533055000	NOZZLE §205 CH12*14 G25 CW4
004		533014500	NOZZLE §225 CH12*14 OVEN GN 2/1
004		533055100	NOZZLE §215 CH12*14 L-CW4
005		544389300	
005		531007600	DOOR HINGE
005		544182501	LEFT DOOR 73
005		533035200	
005		533094200	S/S HANDLE FOR 70/90 SERIES
005		536000200	D.12 H.4 BUMPER
005		544389200	
005		544182401	RIGHT DOOR 73
005		544389500	INNER-DOOR OF LHD 74
005		544182101	LEFT DOOR 74
005		544389400	
005		544182001	RIGHT DOOR 74
005		544497100	
005		544497000	
005		531000900	MAGNET §22 KG.3 WITH DISK
005		544185500	UPPER DOOR HINGE FOR COMPARTME CF70
005		544185201	
005		533107100	
005		544185101	RIGHT DOOR 74 CF
005		544185400	LOWER DOOR HINGE FOR COMPARTME CF70
006		533039100	
006		533018500	
006		532004600	BURNER COVER RING R D104
006		532004300	MIDDLE BURNER BODY 70LINE P.
006		533010900	NUT M14*1 H.4
006		533052301	JOINT FOR NOZZLE HOLDER
006		533039300	BICONE §10
006		533010800	TUBE NUT D.10 M16*1,5
006		533045700	THERMOCOUPLE M9*1 500
006		532004900	ELBOW FITTING OF BURNER VENTURI R
006		533069100	BY PASS COCK §60 20S
006		533101100	BURNER VENTURI R
006		533103400	AIR ADJUSTMENT BUSHING D20 EST.H57
006		539018900	INDEX FOR KNOB
006		533039100	BICONE §6
006		533018500	FITTING FOR BICONE D.6 M10*1
006		531042900	B.PASS §60 SAFETY COCK PC/CF 90
006		536019800	BLACK KNOB §70 PIN §8*6,5
006		539022600	GRADUATED STICKER FOR KNOB

Page	Pos	Code	Description
006		533091400	P.NOZZLE S100 UG.§20 PC90 LPG-FLUS
006		533091000	NOZZLE 0.100 §20
006		533043900	NOZZLE §115 CH12*14 F-CW4
006		533019300	NOZZLE §100 G-FQ5 F-CW
006		533091500	PILOT NOZZLE S.100 §30 PC90 NAT.GAS
006		533091200	PILOT NOZZLE 0100 Ø35 PIL.PC
006		533031000	NOZZLE §175 CH12X14
006		533043500	NOZZLE §190 CH12*14 G25 PC4R
006		533019400	NOZZLE §180 CH12*14 L-FQ5
007		533010800	TUBE NUT D.10 M16*1,5
007		533039300	BICONE §10
007		533052301	JOINT FOR NOZZLE HOLDER
007		533010900	NUT M14*1 H.4
007		533039100	
007		533018500	
007		532007400	
007		532004200	SMALL BURNER BODY 70LINE P.
007		533103300	AIR ADJUSTMENT BUSHING D16 EST.H57
007		533101000	BURNER VENTURI SR
007		532004800	ELBOW FITTING OF BURNER VENTURI SR
007		533045700	THERMOCOUPLE M9*1 500
007		533096000	§50 BY-PASS COCK 20S-21S
007		539018900	INDEX FOR KNOB
007		533039100	BICONE §6
007		533018500	FITTING FOR BICONE D.6 M10*1
007		531043100	B.PASS §50 SAFETY COCK PC/CF 70
007		536019800	BLACK KNOB §70 PIN §8*6,5
007		539022600	GRADUATED STICKER FOR KNOB
007		533091400	P.NOZZLE S100 UG.§20 PC90 LPG-FLUS
007		533091000	NOZZLE 0.100 §20
007		533030500	NOZZLE §90 CH12X14 G30/CE
007		533015100	NOZZLE §80 CH12*14 F-FP/CP6
007		533091500	PILOT NOZZLE S.100 §30 PC90 NAT.GAS
007		533091200	PILOT NOZZLE 0100 Ø35 PIL.PC
007		533015200	NOZZLE §145 CH12*14 F-FP/CP6
007		533030800	NOZZLE §155 CH12X14 M-CW
007		533014900	NOZZLE §150 CH12*14 F-FQ5 L-FQ6
007		533014800	NOZZLE §135 CH12*14,0
008		533010800	TUBE NUT D.10 M16*1,5
008		533039300	BICONE §10
008		532004700	BURNER COVER RING UR D128
008		533010900	NUT M14*1 H.4
008		533052301	JOINT FOR NOZZLE HOLDER
008		533018500	
008		533039100	
008		532004400	BIG BURNER BODY 70LINE P.
008		533103500	AIR ADJUSTMENT BUSHING D22 EST.H57
008		533101200	BURNER VENTURI UR
008		532005000	ELBOW FITTING OF BURNER VENTURI UR
008		533045700	THERMOCOUPLE M9*1 500
008		533038800	75 BY-PASS FOR 21S TAP

Page	Pos	Code	Description
008		539018900	INDEX FOR KNOB
008		533018500	FITTING FOR BICONE D.6 M10*1
008		533039100	BICONE §6
008		531032000	GAS COCK P.V.BY-PASS Ø075
008		536019800	BLACK KNOB §70 PIN §8*6,5
008		539022600	GRADUATED STICKER FOR KNOB
008		533091400	P.NOZZLE S100 UG.§20 PC90 LPG-FLUS
008		533091000	NOZZLE 0.100 §20
008		533014800	NOZZLE §135 CH12*14,0
008		533043400	NOZZLE §117 CH12*14 G-PC4 UR
008		533091500	PILOT NOZZLE S.100 §30 PC90 NAT.GAS
008		533091200	PILOT NOZZLE 0100 Ø35 PIL.PC
008		533055000	NOZZLE §205 CH12*14 G25 CW4
008		533014500	NOZZLE §225 CH12*14 OVEN GN 2/1
008		533055100	NOZZLE §215 CH12*14 L-CW4
009		531003300	TP-PLATE LIFTING HOOK
009		544399100	PLATE RING FOR TP-74G TP-94G
009		544426600	PLATE RING FOR TP-98G
009		541146100	PLATE TP-74G
009		541109701	UPPER PLATE TP-78G
009		546015200	SQUARE BRAID 12*12*L=1495
009		546000901	SQUARE BRAID OF INSULATING MATERIAL
009		531044200	CIRCULAR BURNER TP D.066
009		531033100	BURNER TP..-78G
010		533069600	BY PASS COCK §130 20S-21S
010		539018900	INDEX FOR KNOB
010		533039100	BICONE §6
010		533018500	FITTING FOR BICONE D.6 M10*1
010		531025500	GAS COCK 21S P.V.BY-PASS Ø130
010		533039300	BICONE §10
010		533010800	TUBE NUT D.10 M16*1,5
010		536019800	BLACK KNOB §70 PIN §8*6,5
010		539022600	GRADUATED STICKER FOR KNOB
010		533010900	NUT M14*1 H.4
010		533052301	JOINT FOR NOZZLE HOLDER
010		537002800	PIEZOELECTRIC IGNITION M18
010		533023600	TAP PLUG §10 M16*1, 5CH19
010		533023200	"TARGET" PILOT + NIPPLE TC BRAC.90°
010		533085200	
010		537008300	ROUND PLUG §2,4- LONG ELECTRODE
010		533045700	THERMOCOUPLE M9*1 500
010		533039400	THERMOCOUPLE M9*1*850
010		533023300	BICONE §6 ("TARGET" PILOT)
010		533018600	PLUG FITTING
010		547003200	HIGH-VOLTAGE CABLE TUBE.§2 L=500
010		533020500	NOZZLE 0.140 §19
010		533057700	NOZZLE §130A CH12*30 F-BRF74
010		533019600	NOZZLE §165 CH12*30 MH-FT5 H-FT6
010		533057600	NOZZLE §115A CH12*30 G-BRF74
010		533046200	NOZZLE §150 CH12X30 L-BR TP
010		533020600	NOZZLE 0.140 §27

Page	Pos	Code	Description
010		533047400	NOZZLE §195 CH12*30 M-BM8
010		533057500	NOZZLE §260 CH12X30
010		533047300	NOZZLE §215 CH12*30 L-BM8
010		533032801	NOZZLE §280 CH12*30 M-CPM
010		533047500	NOZZLE §205 CH12*30 ML-BM-8G
010		533032001	NOZZLE §270 CH12*30 MH-CPM