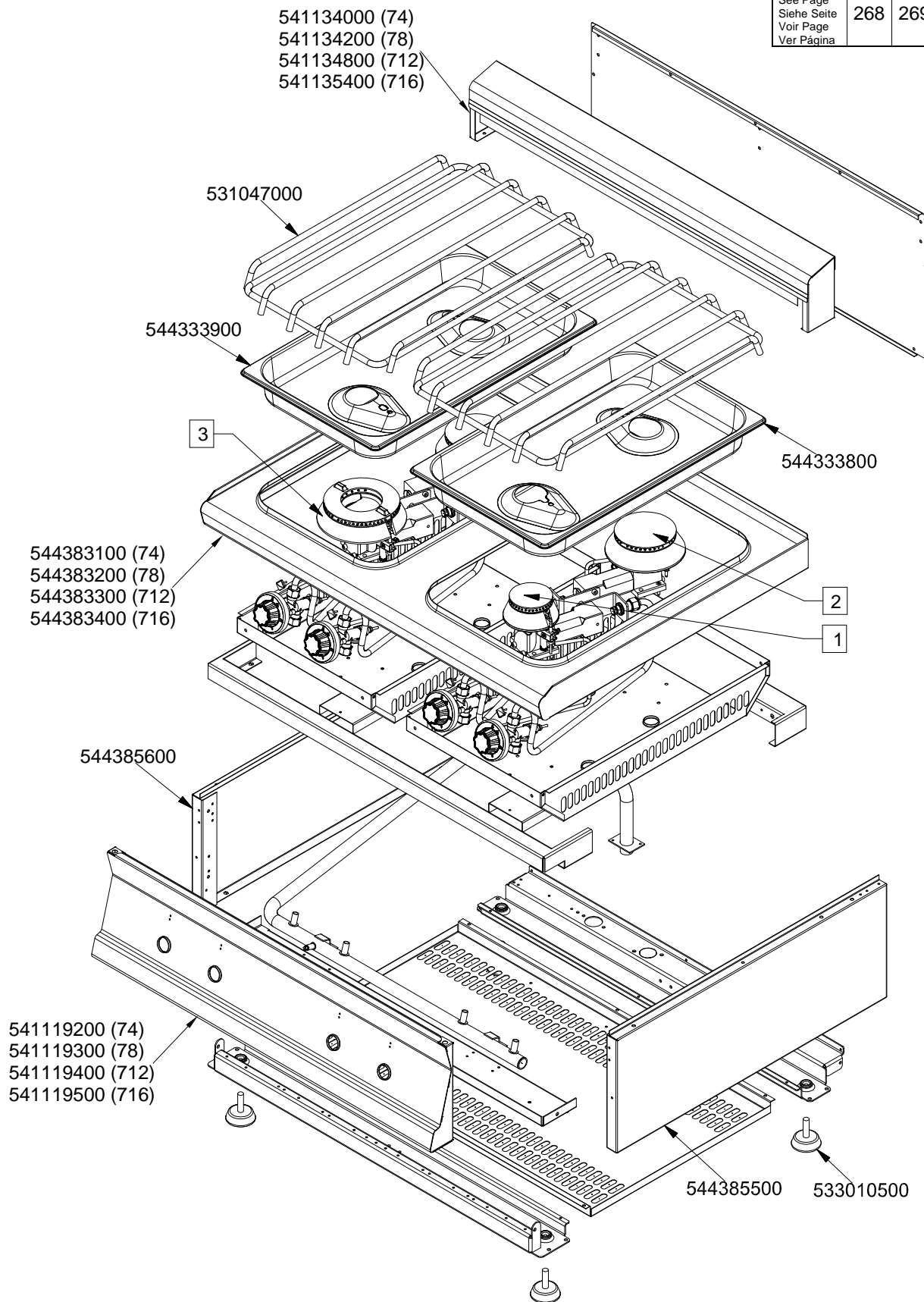


SUPERLOTUS 70 TOP

GAS / GAS / GAS / GAZ

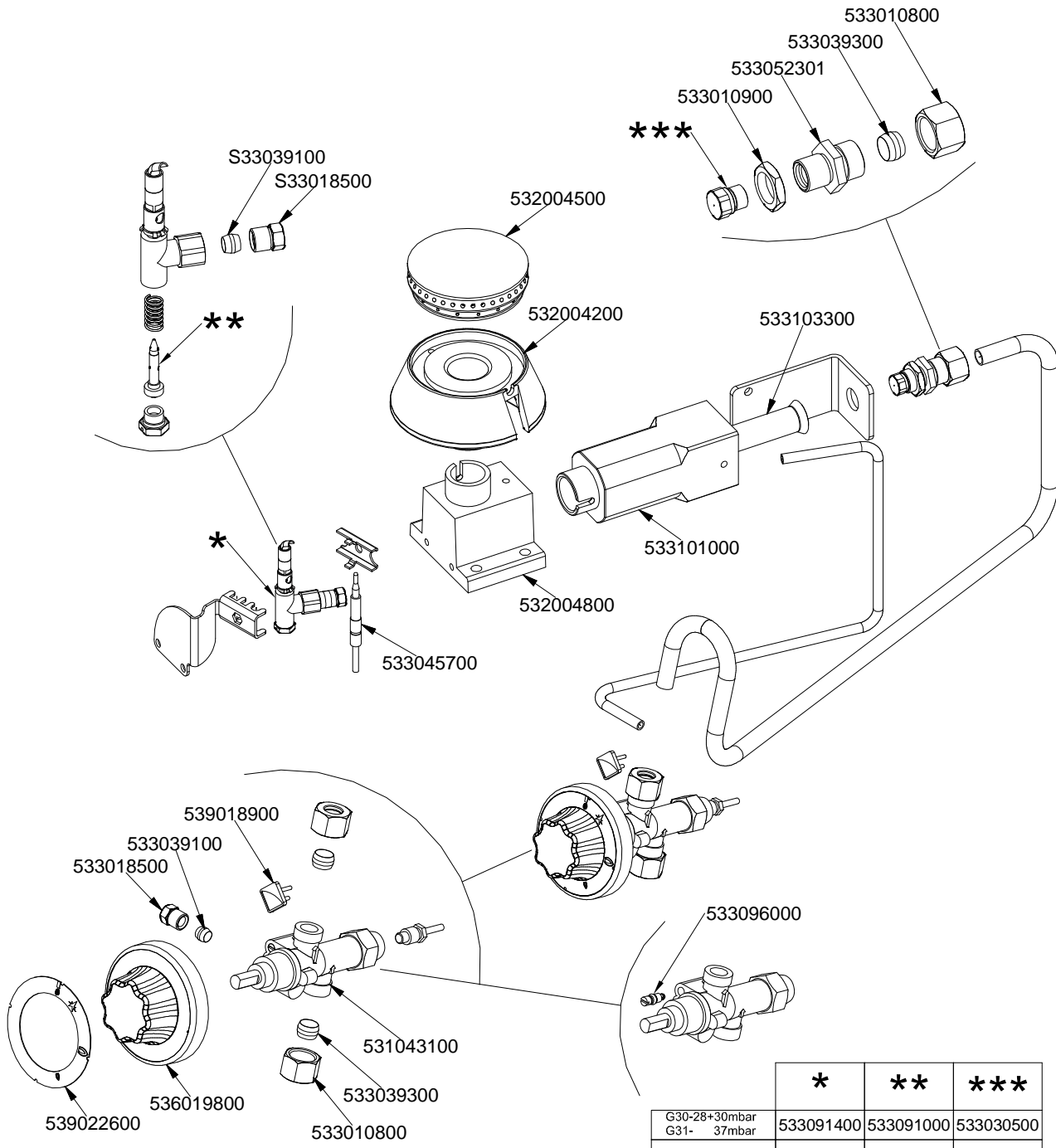
PCT-74GP PCT-78GP PCT-712GP PCT-716GP

C	1	2	3
Vedi Pagina See Page Siehe Seite Voir Page Ver Página	268	269	270



560039100M00P00

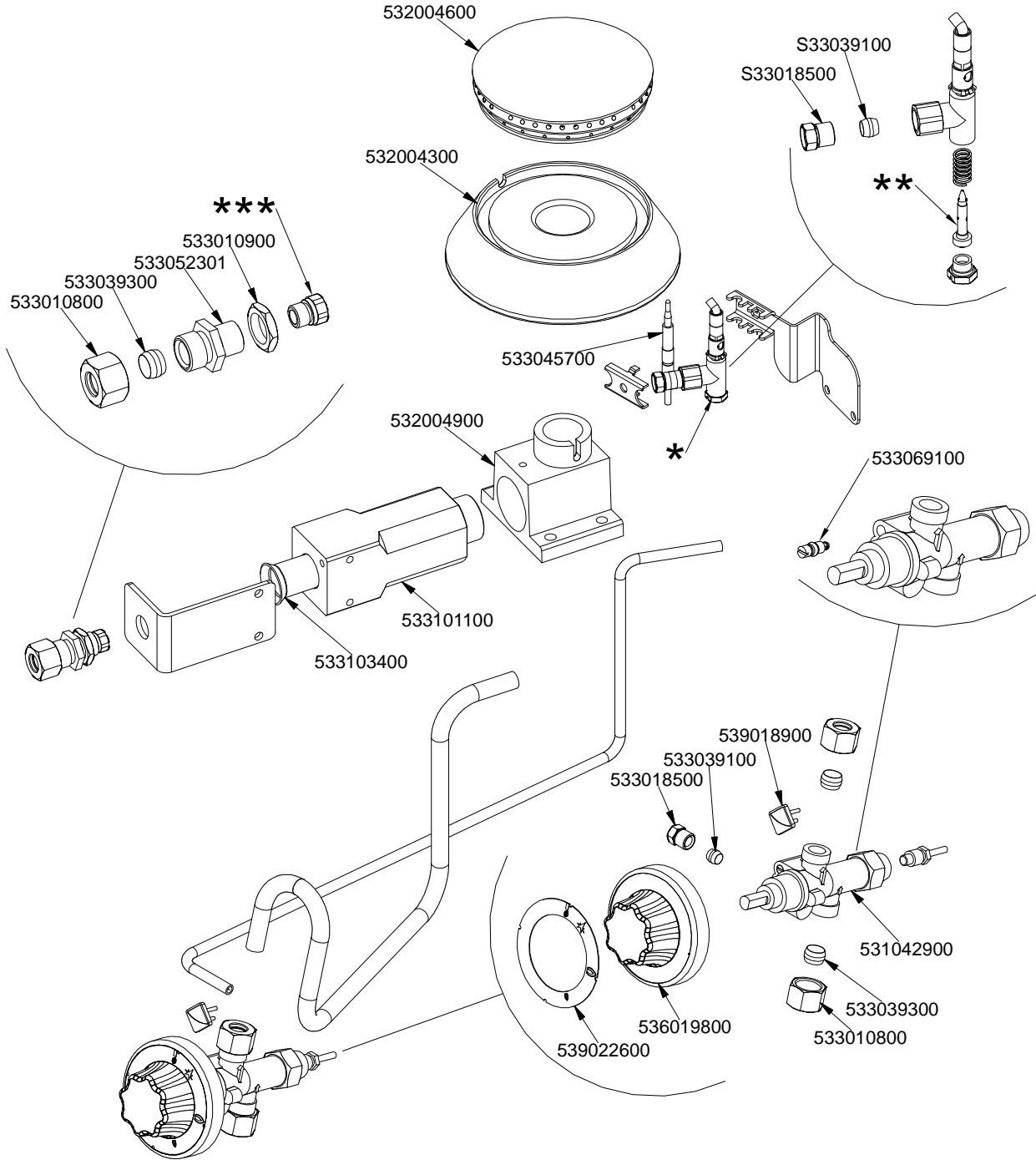
PCT-G SR



	*	**	***
G30-28+30mbar G31- 37mbar	533091400	533091000	533030500
G30- 50mbar	533091400	533091000	533015100
G20- 20mbar G25- 25mbar	533091500	533091200	533015200
G20- 20mbar DE-AT	533091500	533091200	533015200
G25- 20mbar	533091500	533091200	533030800
G25- 25mbar NL	533091500	533091200	533014900

560038500M00P00.

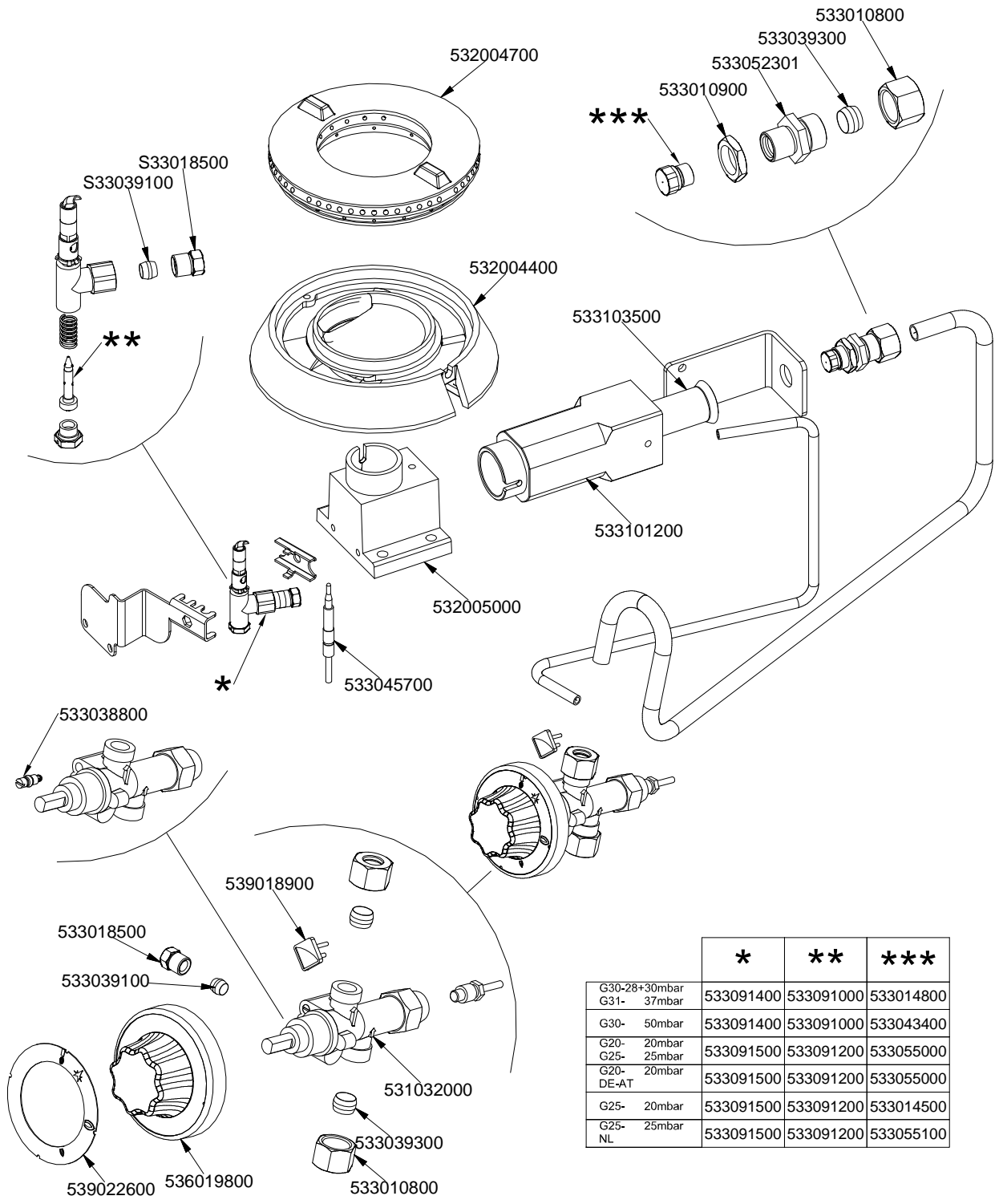
PCT-G R



	*	**	***
G30-28+30mbar G31- 37mbar	533091400	533091000	533043900
G30- 50mbar	533091400	533091000	533019300
G20- 20mbar G25- 25mbar	533091500	533091200	533031000
G20- 20mbar DE-AT	533091500	533091200	533031000
G25- 20mbar	533091500	533091200	533043500
G25- 25mbar NL	533091500	533091200	533019400

560038600M00P00

PCT-G UR



	*	**	***
G30-28+30mbar G31- 37mbar	533091400	533091000	533014800
G30- 50mbar	533091400	533091000	533043400
G20- 20mbar G25- 25mbar	533091500	533091200	533055000
G20- 20mbar DE-AT	533091500	533091200	533055000
G25- 20mbar	533091500	533091200	533014500
G25- 25mbar NL	533091500	533091200	533055100

560038700M00P00

Page	Pos	Code	Description
001		541135400	LOW SPACER 716 0 GRID
001		531047000	2 BURNER GRID FOR PC-700
001		544385600	LEFT SIDE OF 70T LINE
001		544333900	BURNER CONTAINER 1/1GN R 304
001		544383400	UPPER PLATE PC-716GP
001		541119500	FRONT PANEL PC-916G
001		544333800	BURNER CONTAINER 1/1GN R 304
001		544385500	RIGHT SIDE OF 70T LINE
001		533010500	LEG M10*25 D.40
002		533010800	TUBE NUT D.10 M16*1,5
002		533039300	BICONE §10
002		533052301	JOINT FOR NOZZLE HOLDER
002		533010900	NUT M14*1 H.4
002		S33039100	
002		S33018500	
002		532004500	BURNER COVER RING SR D73
002		532004200	SMALL BURNER BODY 70LINE P.
002		533103300	AIR ADJUSTMENT BUSHING D16 EST.H57
002		533101000	BURNER VENTURI SR
002		532004800	ELBOW FITTING OF BURNER VENTURI SR
002		533045700	THERMOCOUPLE M9*1 500
002		539018900	INDEX FOR KNOB
002		S33039100	BICONE §6
002		S33018500	FITTING FOR BICONE D.6 M10*1
002		533096000	§50 BY-PASS COCK 20S-21S
002		539022600	GRADUATED STICKER FOR KNOB
002		531043100	B.PASS §50 SAFETY COCK PC/CF 70
002		536019800	BLACK KNOB §70 PIN §8*6,5
002		533091400	P.NOZZLE §100 UG.§20 PC90 LPG-FLUS
002		533091000	NOZZLE 0.100 §20
002		533030500	NOZZLE §90 CH12X14 G30/CE
002		533015100	NOZZLE §80 CH12*14 F-FP/CP6
002		533091500	PILOT NOZZLE S.100 §30 PC90 NAT.GAS
002		533091200	PILOT NOZZLE 0100 Ø35 PIL.PC
002		533015200	NOZZLE §145 CH12*14 F-FP/CP6
002		533030800	NOZZLE §155 CH12X14 M-CW
002		533014900	NOZZLE §150 CH12*14 F-FQ5 L-FQ6
003		S33039100	
003		S33018500	
003		532004600	BURNER COVER RING R D104
003		532004300	MIDDLE BURNER BODY 70LINE P.
003		533010900	NUT M14*1 H.4
003		533052301	JOINT FOR NOZZLE HOLDER
003		533039300	BICONE §10
003		533010800	TUBE NUT D.10 M16*1,5
003		533045700	THERMOCOUPLE M9*1 500
003		532004900	ELBOW FITTING OF BURNER VENTURI R
003		533069100	BY PASS COCK §60 20S
003		533101100	BURNER VENTURI R
003		533103400	AIR ADJUSTMENT BUSHING D20 EST.H57
003		539018900	INDEX FOR KNOB

Page	Pos	Code	Description
003		533039100	BICONE §6
003		533018500	FITTING FOR BICONE D.6 M10*1
003		531042900	B.PASS §60 SAFETY COCK PC/CF 90
003		536019800	BLACK KNOB §70 PIN §8*6,5
003		539022600	GRADUATED STICKER FOR KNOB
003		533091400	P.NOZZLE S100 UG.§20 PC90 LPG-FLUS
003		533091000	NOZZLE 0.100 §20
003		533043900	NOZZLE §115 CH12*14 F-CW4
003		533019300	NOZZLE §100 G-FQ5 F-CW
003		533091500	PILOT NOZZLE S.100 §30 PC90 NAT.GAS
003		533091200	PILOT NOZZLE 0100 Ø35 PIL.PC
003		533031000	NOZZLE §175 CH12X14
003		533043500	NOZZLE §190 CH12*14 G25 PC4R
003		533019400	NOZZLE §180 CH12*14 L-FQ5
004		533010800	TUBE NUT D.10 M16*1,5
004		533039300	BICONE §10
004		532004700	BURNER COVER RING UR D128
004		533010900	NUT M14*1 H.4
004		533018500	
004		533039100	
004		532004400	BIG BURNER BODY 70LINE P.
004		533103500	AIR ADJUSTMENT BUSHING D22 EST.H57
004		533052301	JOINT FOR NOZZLE HOLDER
004		533101200	BURNER VENTURI UR
004		532005000	ELBOW FITTING OF BURNER VENTURI UR
004		533045700	THERMOCOUPLE M9*1 500
004		533038800	75 BY-PASS FOR 21S TAP
004		539018900	INDEX FOR KNOB
004		533018500	FITTING FOR BICONE D.6 M10*1
004		533039100	BICONE §6
004		539022600	GRADUATED STICKER FOR KNOB
004		531032000	GAS COCK P.V.BY-PASS Ø075
004		536019800	BLACK KNOB §70 PIN §8*6,5
004		533091400	P.NOZZLE S100 UG.§20 PC90 LPG-FLUS
004		533091000	NOZZLE 0.100 §20
004		533014800	NOZZLE §135 CH12*14,0
004		533043400	NOZZLE §117 CH12*14 G-PC4 UR
004		533091500	PILOT NOZZLE S.100 §30 PC90 NAT.GAS
004		533091200	PILOT NOZZLE 0100 Ø35 PIL.PC
004		533055000	NOZZLE §205 CH12*14 G25 CW4
004		533014500	NOZZLE §225 CH12*14 OVEN GN 2/1
004		533055100	NOZZLE §215 CH12*14 L-CW4