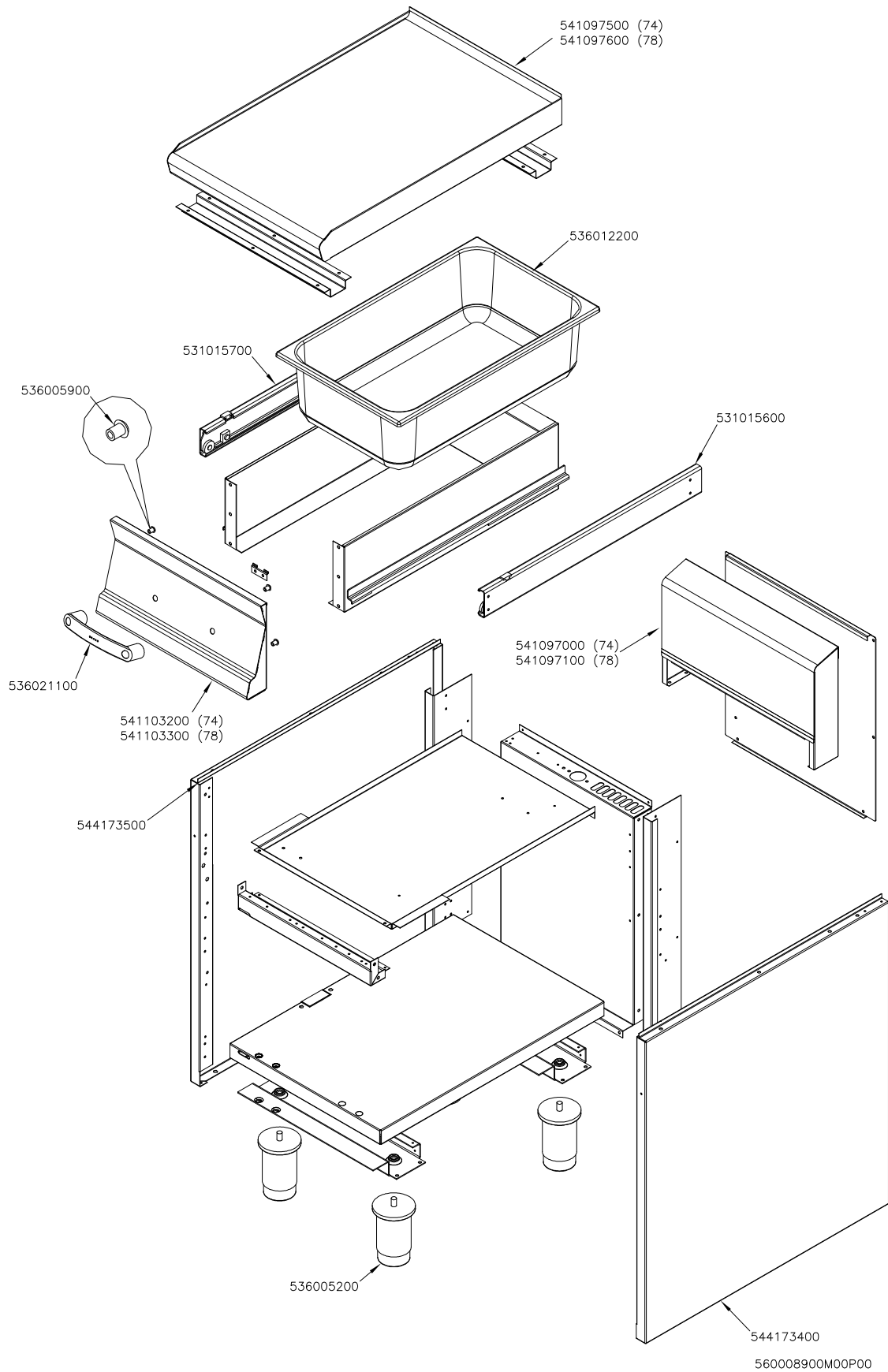


**PL-74 PL-78**



<b>Page</b>	<b>Pos</b>	<b>Code</b>	<b>Description</b>
001		541097600	UPPER PLATE PL-78
001		536012200	PLASTIC CONTAINER GN 1/1 H.150
001		531015700	LHD TELESCOPIC GUIDE RS50 L=570
001		536005900	BUMPER D.12,5 H.2
001		531015600	RHD TELESCOPIC GUIDE RS50 L=570
001		536021100	BLACK HANDLE 70LINE + 2RED POINTS
001		541097100	NEUTRAL SPACER 78
001		541103300	FRONTAL OF DRAWER PL-78
001		544173500	LEFT SIDE PANEL S.70
001		536005200	INOX LEG 2" 120-180 M10
001		544173400	RIGHT SIDE PANEL S.70