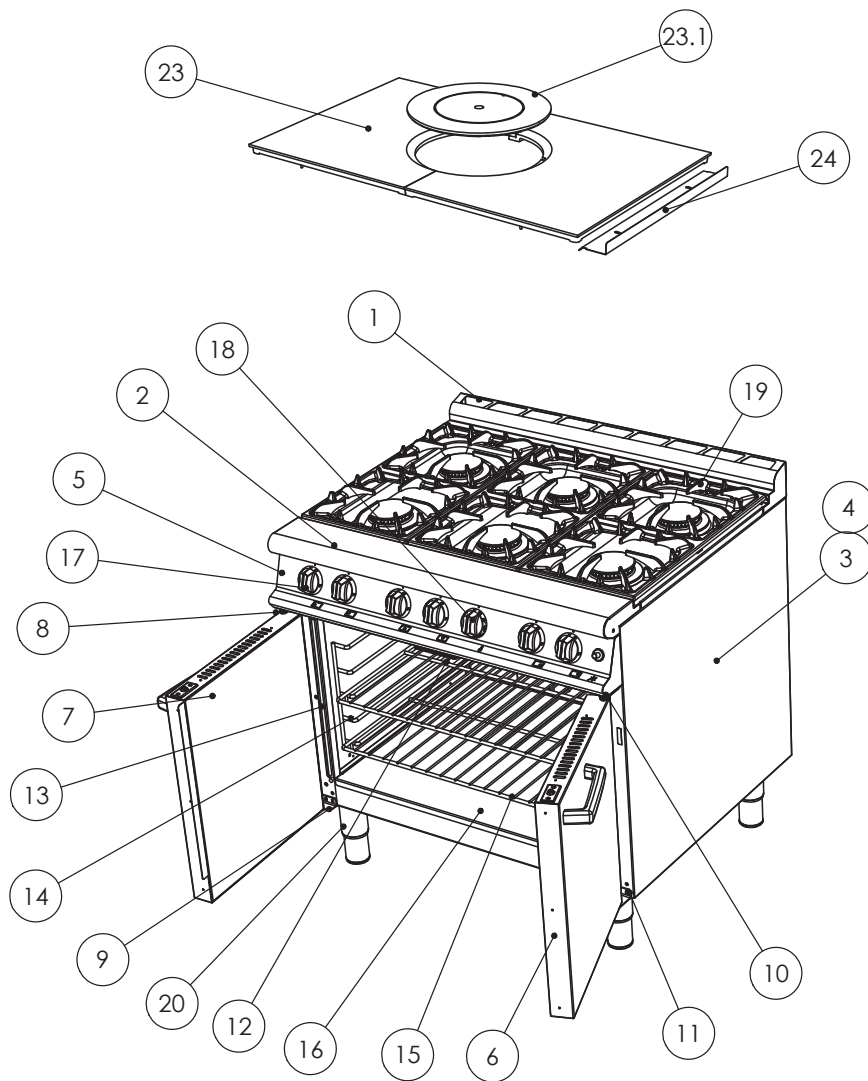


DOMINATOR PLUS



ITEM	DESCRIPTION	G3101 SPARES No	G3101 OTC SPARES No	G3117 SPARES No	G3107 SPARES No
1	REAR HOB RAIL	535290017	535290017	535290017	535290017
2	FRONT HOB RAIL	535290018	535290018	535290018	535290018
3	RH OUTER SIDE PANEL	535200001	535200001	535200001	535200001
4	LH OUTER SIDE PANEL	535200000	535200000	535200000	535200000
5	CONTROL PANEL	535290019	535300001	535320000	535310009
6	RH DOOR ASSEMBLY (GLASS DOOR FOR OTC)	535290020	535300002	535290020	535290020
6.1	DOOR HANDLE	535290022	535290022	535290022	535290022
6.2	DOOR CATCH	535480054	535480054	535480054	535480054
6.3	DOOR HINGE BUSH	535480077	535480077	535480077	535480077
7	LH DOOR ASSEMBLY (GLASS DOOR FOR OTC)	535290021	535300003	535290021	535290021
7.1	DOOR HANDLE	535290022	535290022	535290022	535290022
7.2	DOOR CATCH	535480054	535480054	535480054	535480054
7.2	DOOR HINGE BUSH	535480077	535480077	535480077	535480077
8	TOP DOOR HINGE - LH	535200006	535200006	535200006	535200006
9	BOTTOM DOOR HINGE - LH	535200007	535200007	535200007	535200007
10	TOP DOOR HINGE - RH	535200008	535200008	535200008	535200008
11	BOTTOM DOOR HINGE - RH	535200009	535200009	535200009	535200009
12	DOOR CATCH KEEPER	535200013	535200013	535200013	535200013
13	DOOR SEAL	535200005	535210001	535200005	535200005
14	OVEN SHELF HANGER	535200012	535200012	535200012	535200012
15	OVEN SHELF	535290023	535290023	535290023	535290023
16	OVEN BASE TRAY	535290024	535210002	535290024	535290024
17	O/T - SOLID TOP CONTROL KNOB	535290025	535290025	N/A	535310010
18	OVEN CONTROL KNOB	535290026	535300004	535290026	535290026
19	PAN SUPPORT	535290027	535290027	N/A	N/A
20	ADJUSTABLE FOOT	535290028	535290028	535290028	535290028
21	REAR FIXED CASTOR (NOT SHOWN)	534103055	534103055	534103055	534103055
22	FRONT SWIVEL CASTOR (NOT SHOWN)	530964350	530964350	530964350	530964350
23	SOLID TOP CASTING COMPLETE	N/A	N/A	N/A	535400170
23.1	SOLID TOP CENTRE & RING SET	N/A	N/A	N/A	535400160
24	HOB SIDE DRIP SHED	N/A	N/A	535410018	535410018
25	GP OVEN WORKTOP PANEL (NOT SHOWN)	N/A	N/A	535470002	N/A



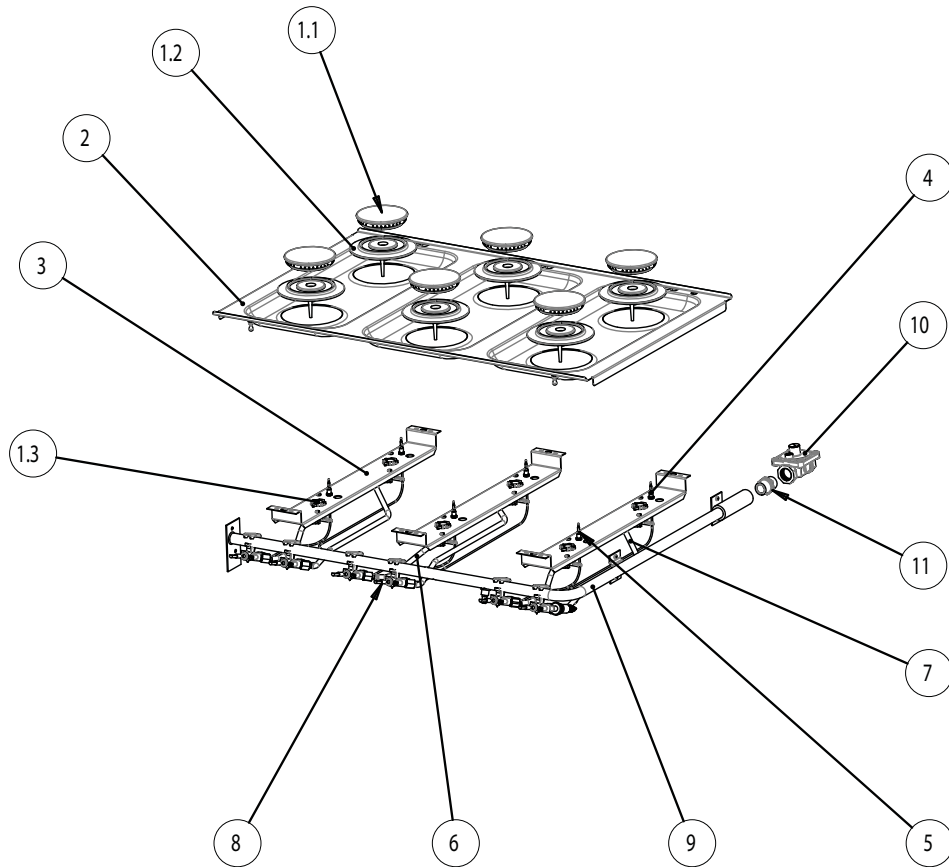
Issue	Alteration	Date	Product	Document Reference
-------	------------	------	---------	--------------------

A	Initial Issue	09/08/11		
---	---------------	----------	--	--

G3101/G3101 OTC
G3117/G3107

AD48639

DOMINATOR PLUS

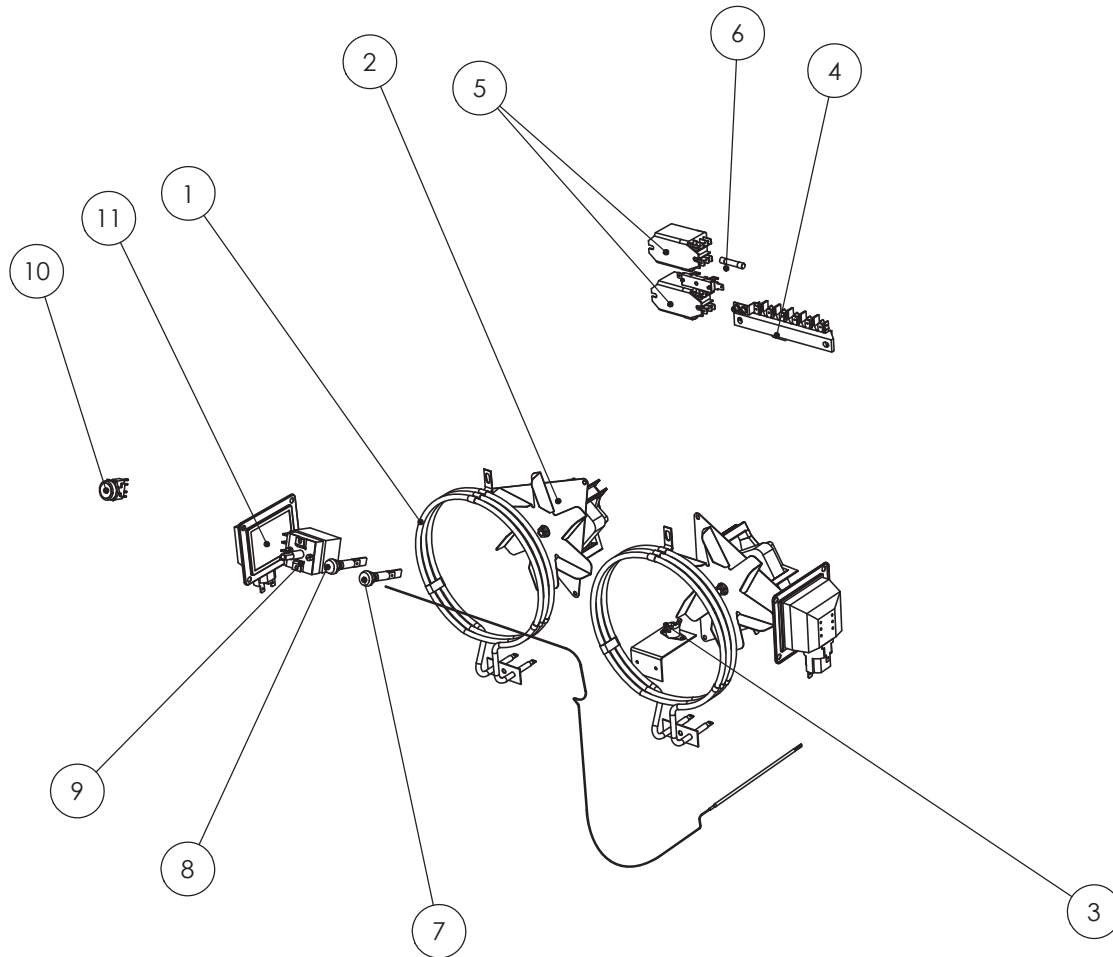


ITEM	DESCRIPTION	G3101 SPARES No	G3101 OTC SPARES No	G3121 SPARES No
1	O/T BURNER ASSEMBLY COMPLETE	535290006	535290006	535290006
	O/T BURNER CAP ASSEMBLY	1.1 535290000	535290000	535290000
	O/T BURNER BASE	1.2 535290001	535290001	535290001
	O/T INJECTOR HOLDER NAT GAS & PROPANE	1.3 535290003	535290003	535290003
	O/T 1.93 NAT GAS INJECTOR	1.3.1 535290004	535290004	535290004
	O/T 1.2 PROPANE INJECTOR	1.3.2 535290005	535290005	535290005
	8mm OLIVE	1.3.3 535480027	535480027	535480027
	TUBE NUT	1.3.4 535480028	535480028	535480028
2	HOB PANEL	535400150	535400150	535400150
3	O/T BURNER SUPPORT BAR	535290002	535290002	535290002
4	O/T REAR THERMOCOUPLE	535480012	535481112	535480012
5	O/T FRONT THERMOCOUPLE	535480011	535480011	535480011
6	O/T FRONT FLEXI PIPE C/W OLIVES	535400045	535400045	535400045
7	O/T REAR FLEXI PIPE C/W OLIVES	535400055	535400055	535400055
8	O/T CONTROL VALVE NAT GAS & PROPANE	535200021	535200021	535200021
	8MM OLIVE	8.1 535480027	535480027	535480027
	TUBE NUT	8.2 535290007	535290007	535290007
	NAT GAS BYPASS SCREW (76)	8.3 535290008	535290008	535290008
	PROPANE BYPASS SCREW (51)	8.4 535290009	535290009	535290009
9	FLOAT RAIL	535290010	535300000	535300000
10	GOVERNOR	535480015	535480015	535480015
11	3/4" FITTING	535480016	535480016	535480016
	CONVERSION KIT NAT GAS TO PROPANE (PRE F551159)	535290029	535300005	535340002
	CONVERSION KIT PROPANE TO NAT GAS (PRE F551159)	535290030	535300006	535340003
	CONVERSION KIT NAT GAS TO PROPANE (POST F551159)	535290065	535300005	535340002
	CONVERSION KIT PROPANE TO NAT GAS (POST F551159)	535290066	535300006	535340003

Issue	Alteration	Date	Product	Document Reference
B	7178	04/12/2014	G3101/G3101 OTC/ G3121 hob pipework	AA48638



DOMINATOR PLUS



ITEM	DESCRIPTION	G3101 OTC SPARES No
1	OVEN ELEMENT	535420009
2	OVEN FAN	535420010
3	OVEN SAFETY THERMOSTAT	535420015
4	INCOMING TERMINAL BLOCK	731000006
5	OPERATING / SAFETY RELAY	734243005
6	FUSE 2A	734243006
7	RED NEON	535420008
8	AMBER NEON	535420007
9	THERMOSTAT C/W FAN SWITCH	535420006
10	LIGHT SWITCH	734243004
11	OVEN LAMP	734243007



Issue	Alteration	Date	Product	Document Reference
A	Initial Issue	09/08/11	G3101 OTC	AA48640