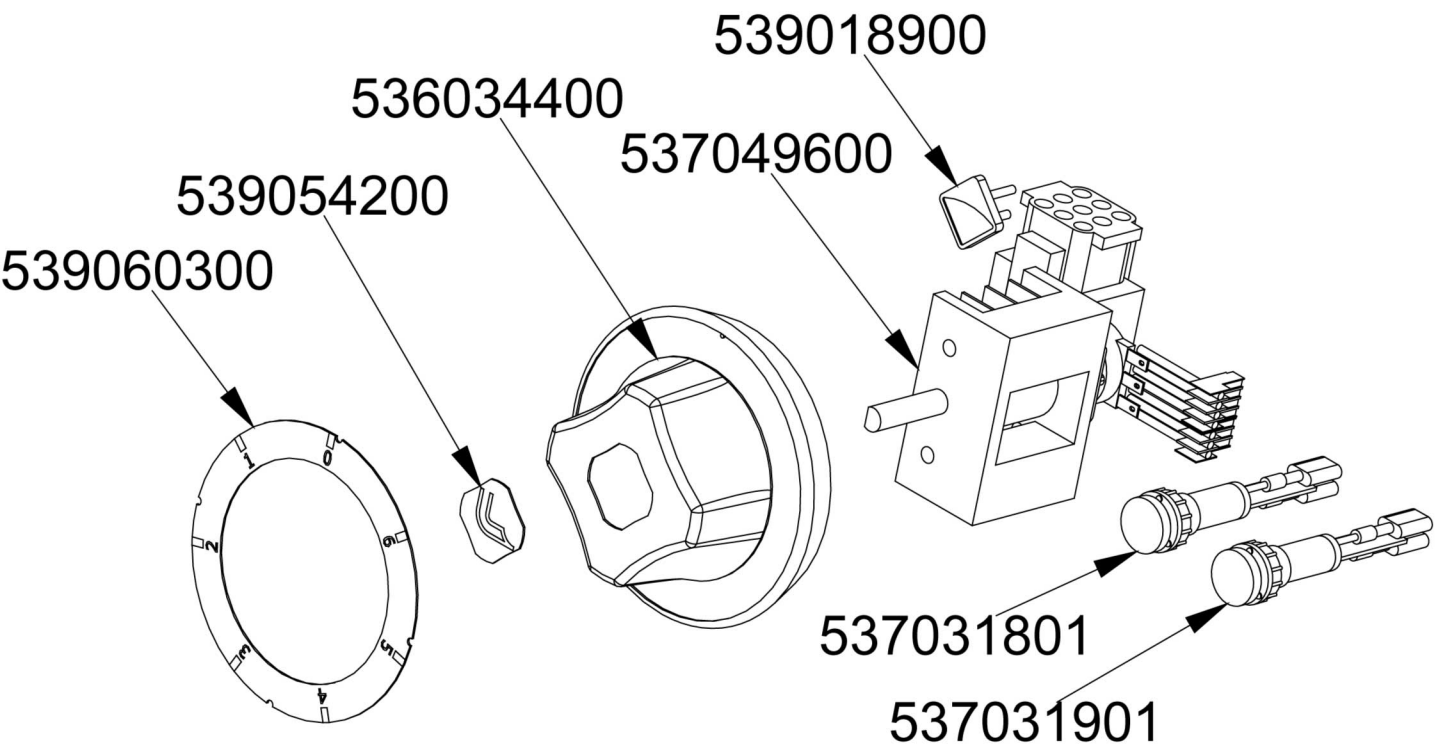
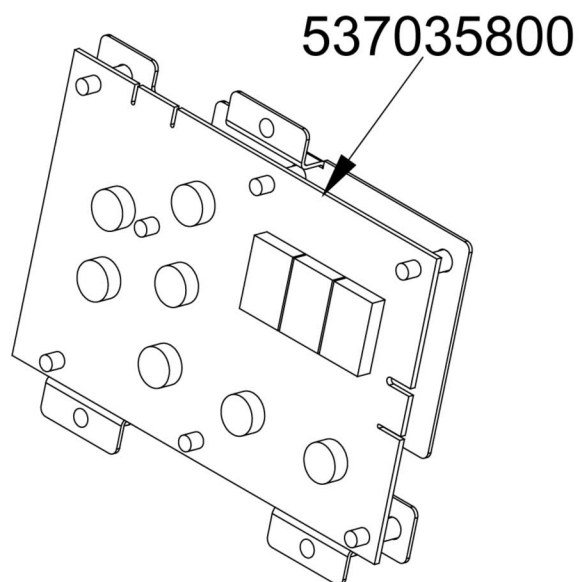
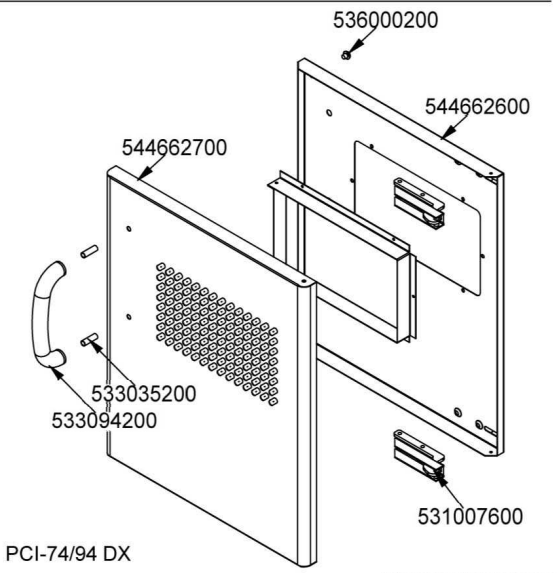
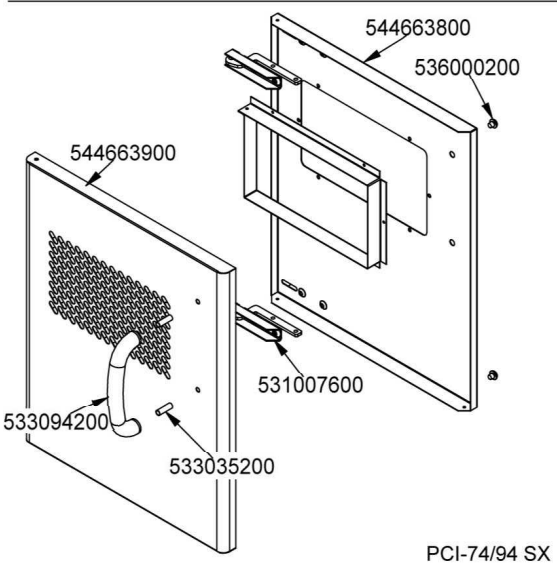
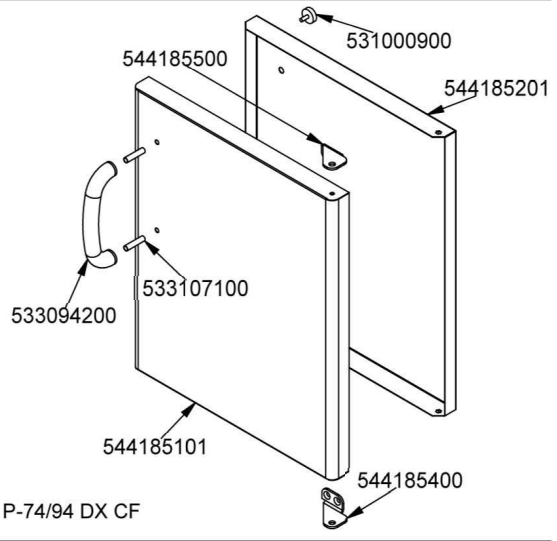
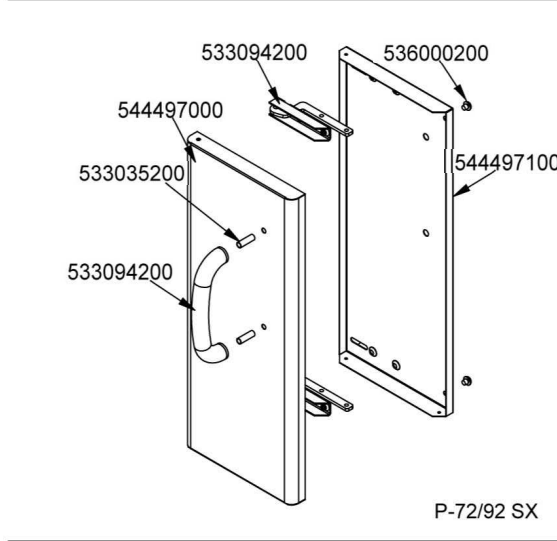
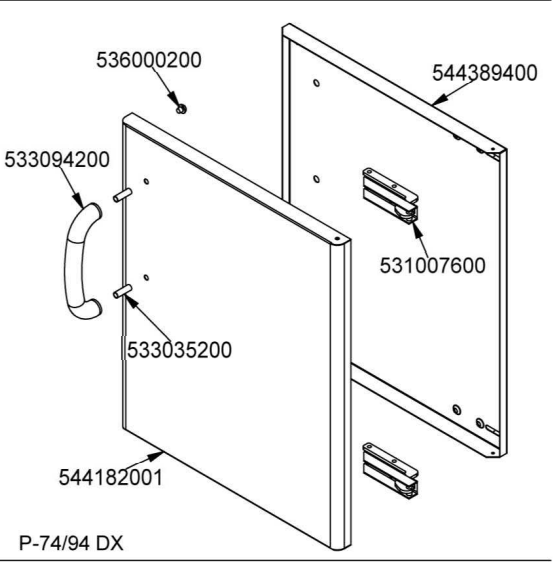
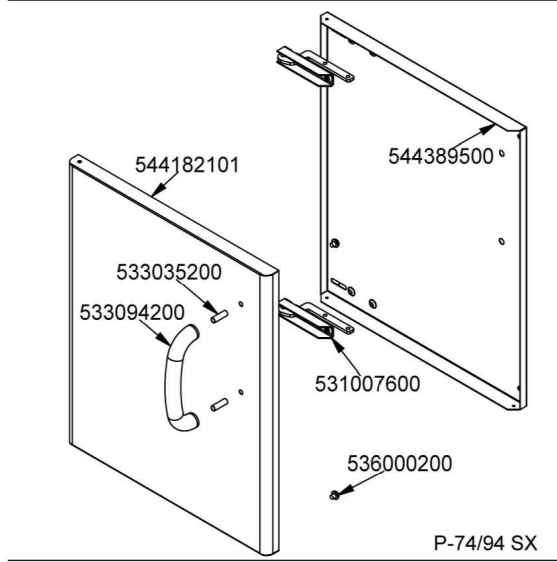
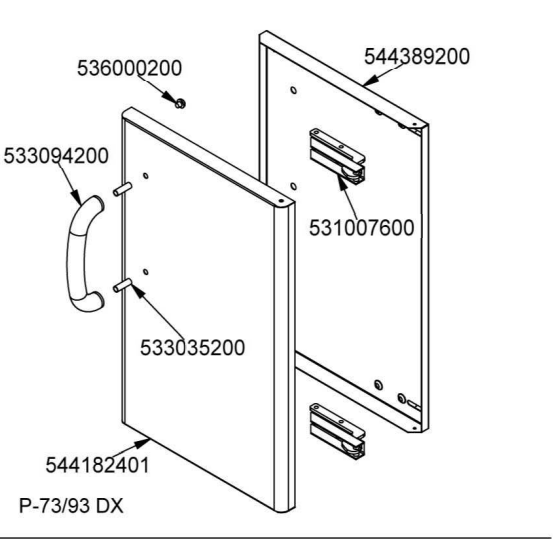
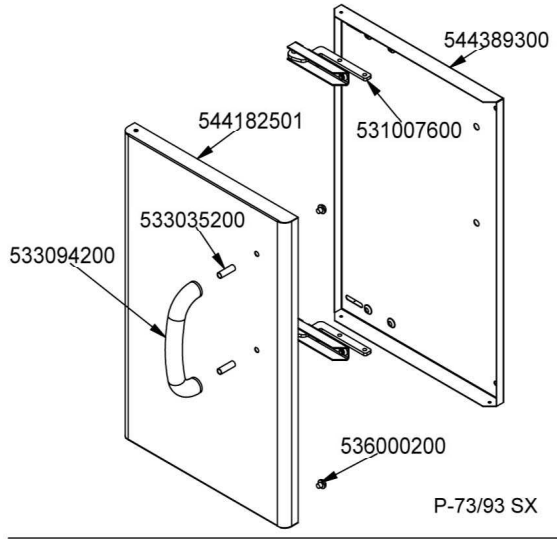


# (ET)



# (ETD)





Page	Pos	Code	Description
001		532004100	FLUE GRID L=370 90LINE (RAF
001		541290500	UPPER PLATE S90 TPI-98E VC
001		537049900	PLATE WITH 4 INDUCTORS S90 TPI
001		537050000	GENERATOR TPI-98 4X3,5KW 400V3
001		544407400	LEFT SIDE PANEL 70 LINE
001		537027400	TERMINAL BLOCK THREEPHASE 40A
001		541196600	CONTROL PANEL S607090 PCI-78ETD V
001		531034800	NET FILTER FOR KSK
001		544407300	RIGHT SIDE PANEL 90 LINE
001		536005200	INOX LEG 2" 120-180 M10
002		539018900	INDEX FOR KNOB W/RED SIGN
002		537049600	COMPLETE CONTROL FOR INDUCTORS
002		536034400	KNOB §77 4P. §06*4,6 C/M
002		539054200	STAMP Ø20,5 CR."L" LOTUS R.
002		539060300	RED ADESIVE DISK FOR PCC/PCI-E
002		537031801	GREEN WARNING LIGHT 12V E FASTON
002		537031901	RED WARNING LIGHT PCI 12V E FASTON
002		537035800	TOUCH ELECTRONIC BOARD FOR PCI
003		544389300	CONTROP.73 SX APP. LT
003		531007600	DOOR HINGE
003		544182501	LEFT DOOR 73
003		533094200	S/S HANDLE FOR 70/90 SERIES
003		533035200	HANDLE SPACER
003		536000200	D.12 H.4 BUMPER
003		544389200	CONTROP.73 DX APP. LT
003		544182401	RIGHT DOOR 73
003		544182101	LEFT DOOR 74
003		544389500	INNER-DOOR OF LHD 74
003		544389400	CONTROP.74 DX APP. LT
003		544182001	RIGHT DOOR 74
003		544497000	PORTA 72 SX
003		544497100	CONTROP.72 SX APP. LT
003		544185101	RIGHT DOOR 74 CF
003		533107100	HANDLE SPACER OF CF-70
003		544185500	UPPER DOOR HINGE FOR COMPARTME CF70
003		531000900	MAGNET §22 KG.3 WITH DISK
003		544185201	INNER DOOR * 74DX
003		544185400	LOWER DOOR HINGE FOR COMPARTME CF70
003		544663900	LHD 74 DOOR FOR PCI
003		544663800	74 LHD OVEN INNER DOOR FOUR PCI
003		544662700	DOOR 74 DX PCI
003		544662600	CONTROP.74 DX APP. LT PCI