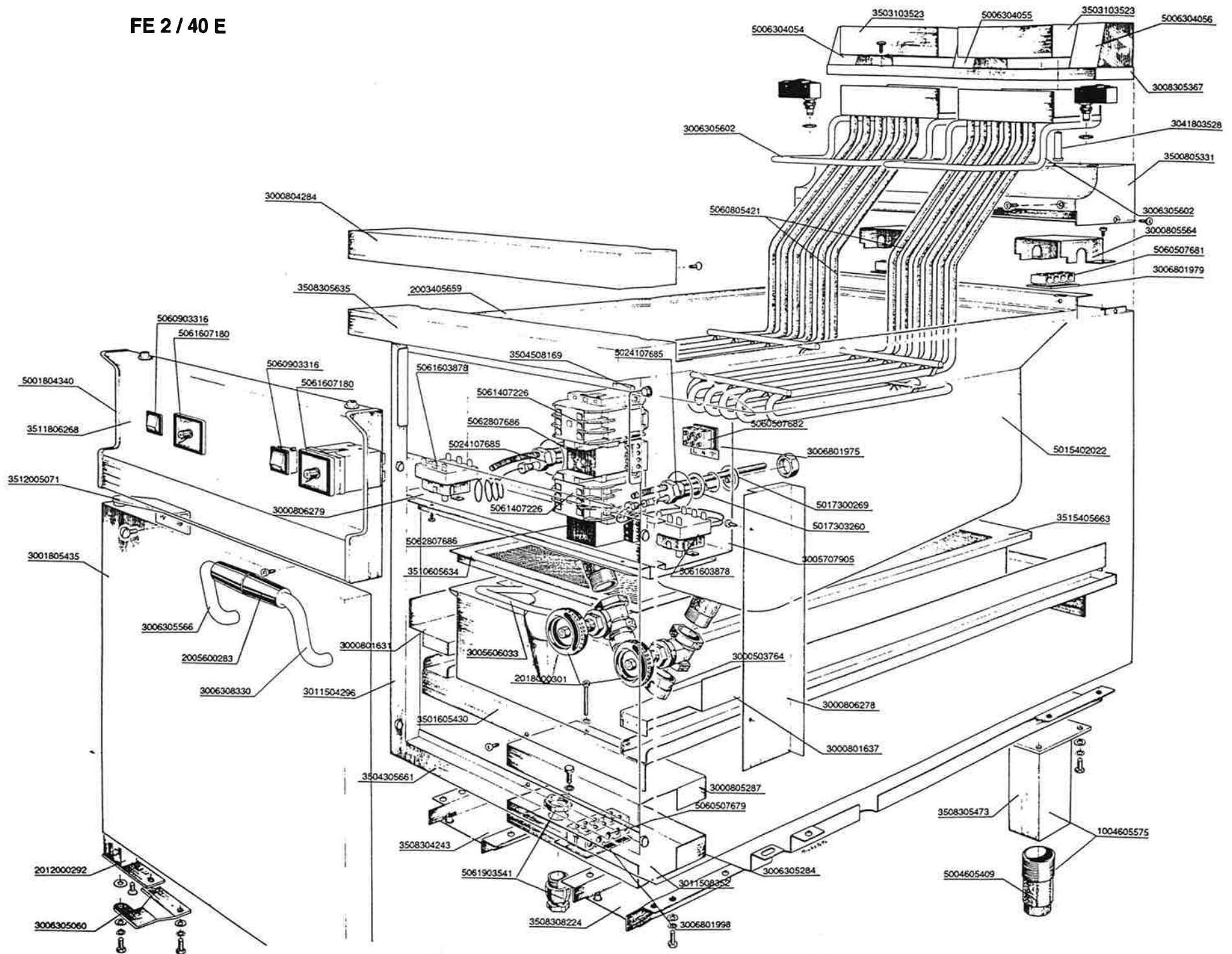


FE 2 / 40 E



	ERSATZTEILLISTE	LISTA PARTICOLARI	LIST OF PARTS	LIST DES COMPOSANTS	26.07.91	
	0103901462	ELT-FRITEUSE	FRIGGITRICE ELT.	ELECTRIC FRYER	FRITEUSE ELECTRIQ.	FE2/40E PAG. 1
COD.	BESCHREIBUNG	DESCRIZIONE	DESCRIPTION	DESCRIPTION	QUANT.	
1013506532	KABELSATZ	IMPIANTO CAVI ELT.	ELEC. WIRING ASSY.	INSTALL.CABLES ELE.	FE2/40/E	1
2003405659	EINFASSUNG	PIANO COTTURA	HOB	PLAN CUISSON	FE2/40	1
2005600283	GRIFF BACKROHRTÜR	MANIGLIA PORTINA	DOOR HANDLE	POIGNEE PORTE	BG/BE/85	1
2012000292	SCHARNIER TÜR	CERNIERA PORTINA	DOOR HINGE	CHARNIERE PORTE	M/KT	1
2018000301	HAHN SCHIEBER	SARACINESCA 1"	COCK	VANNE	1"	2
3000500538	ROHR ÖLABLAUF	TUBO SCARICO OLIO	OIL DRAIN PIPE	TUYAU DECHARGE HUI.	EF/FE2/40	2
3000503764	ROHRSTUTZEN ÖLABL.	TRONCHETTO SCAR.O.	OIL DRAIN STUB	TUBULURE ECHARGE H.	EF/FE2/40	2
3000801631	ABDECKUNG BODEN L.	COPERTURA FONDO S.	BOTTOM COVER LH	COUVERTURE FOND G.	FE/40/80	1
3000801637	ABDECKUNG BODEN R.	COPERTURA FONDO D.	BOTTOM COVER RH	COUVERTURE FOND D.	FE/40/80/E	1
3000804261	ABDECKUNG EINF. S.	COPERTURA PIANO	HOB COVERING	COUVERTURE PLAN	FG/FE/40	2
3000804284	ABDECKUNG EINFASS.	CRUSCOTTO PIANO	HOB PANEL	TABLEAU PLAN	G/40	1
3000804292	ABDECKUNG SEITE L.	CRUSCOTTO LATER.S.	PANEL LH SIDE	TABLEAU COTE GAUCH.	G/85	1
3000805063	ABDECKUNG SCHALT.L.	PROTEZIONE PANN.S.	PROTECTION LH PAN.	PROTECTION PANN.G.	G/85	1
3000805287	ABDECKUNG KLEMME	PROTEZIONE MORSET.	TERMINAL COVER	PROTECTION BORNE	UBO/40	1
3000805564	ABDECKUNG KLEMMEN	PROTEZIONE MORSETT	TERMINAL COVER	PROTECTION BORNE	FE1/2/40	2
3000805673	ABDECKUNG KABEL	PROTEZIONE CAVI	WIRING PROTECTION	PROTECTION CABLES	FE2/40	2
3000806278	ABDECKUNG KABEL	PROTEZIONE CAVO	WIRING COVER	PROTECTION CABLE	FE/40/80/E	1
3000806279	ABDECKUNG SICH.TH.	PROTEZIONE TERM.SI.	COVER THERMOST.LH	PROTECTION THER.SE.	FE/40/E	1
3000808271	ABDECKUNG SEITE R.	CRUSCOTTO LATER.D.	PANEL RH SIDE	TABLEAU COTE DROIT	G/85	1
3000808273	ABDECKUNG SCHALT.R.	PROTEZIONE PANN.D.	PROTECTION RH PAN.	PROTECTION PANN.D.	G/85	1
3001004060	ANSCHLAG HEIZK.	BATTUTA RESISTENZA	HEAT.ELEM. LEDGE FE	BUTEE RESISTANCE	FE	8
3001805435	BLENDE TÜR LINKS	BOMBATO PORTINA S.	CONV.DOOR SECT. LH	PORTE BOMBEE G.	G/40	1
3003405601	EINFASSUNG VERB.	FASCIA RACCORDO	CONNECTION STRIP	BANDE RACCORD	F/85	1
3004605432	FUSS VIERKANTROHR	PIEDINO ESTERNO	FOOT EXTERNAL	PIED EXTERNE	G/85	4
3005605357	GRIFF SCHALTBLENDE	MANIGLIA PANNELLO	PANEL HANDLE	POIGNEE PANNEAU	G/40	1
3005606033	GRIFF ÖLLADE VORNE	MANIGLIA OLIO ANT.	OIL HANDLE FRONT	POIGNEE HUILE AVT.	FG/GF	1
3005606034	GRIFF ÖLLADE HIN.	MANIGLIA OLIO POST.	OIL HANDLE REAR	POIGNEE HUILE ARR.	FG/GF	1
3005705437	GEGENBLENDE TÜR	CONTROBOMBATO PORT.	DOOR COUNTER-SECT.	INTERIEUR PORTE	G/40	1
3005707905	GEGENBLENDE OBEN	CONTROBOMBATO SUP.	COUNTER-SECT. TOP	INTERIEUR SUP.	FE2/40/E	1
3006303539	HALTER HEIZK.	SUPPORTO RESIST.	HEAT.ELEM. SUPT.	SUPPORT RESIST.	FE2/40-EF/40	2
3006305060	HALTER SCHARNIER L.	SUPPORTO CERN. SIN.	SUPPORT LH HINGE	SUPPORT CHARN.GCHE	G/85	1
3006305284	HALTER KLEMME	SUPPORTO MORSETTO	SUPPORT TERMINAL	SUPPORT BORNE	UBO/40	1
3006305562	HALTER KLEMMEN HIN.	SUPPORTO MORSETTI	TERMINAL SUPPORT	SUPPORT BORNES	FE2/40	1
3006305563	HALTER KAMIN	SUPPORTO CAMINO	FLUE SUPPORT	SUPPORT CHEMINEE	FG/FE/40	1
3006305566	HALTER GRIFF L.	SUPPORTO MANIGL.S.	SUPPORT LH HANDLE	SUPPORT POIGNEE G.	G/85	1
3006305602	HALTER KÖRBE	SUPPORTO CESTELLI	BASKET SUPPORT	SUPPORT PANIERS	FE2/40	2
3006306639	HALTER CERA PAPER	SUPPORTO CERA PAP.	SUPPORT CERA PAP.	SUPPORT CERA PAP.	GE/V/FE/E	4
3006308330	HALTER GRIFF R.	SUPPORTO MANIGL.D.	SUPPORT RH HANDLE	SUPPORT POIGNEE D.	G/85	1
3006801975	ISOLIERPLATTE KLEIN 3-POLIG	ISOLAZIONE PICCOLA A 3 POLI	INSULATOR SMALL 3-POLE	PETITE ISOLATION A 3 POLES		1
3006801979	ISOLIERPLATTE KLEMME 3-POLIG	ISOLAZIONE MORSETTO 3 POLI	INSULATION 3-POLE TERMINAL	ISOLATION BORNE 3 POLES		2
3006801998	ISOLIERPLATTE KL. 3+4-POLIG	ISOLAZIONE MORSETT.3+4 ATT.	TERMINAL INSULAT. 3+4 ATT.	ISOLATION BORNE 3+4 ATT.		1
3006806283	ISOLIERUNG CERA PA.	ISOLAZIONE CERA PA.	NSULATION CERA P.	ISOLATION CERA PA.	FE/40/E	1
3008304246	TRÄGER EINFASSUNG	PORTANTE FASCIA	CONNECT.STRIP SUPT.	PORTANT BANDE	G/40	1

	ERSATZTEILLISTE	LISTA PARTICOLARI	LIST OF PARTS	LIST DES COMPOSANTS	26.C7.91
	0103901462	ELT-FRITEUSE	FRIGGITRICE ELT.	ELECTRIC FRYER	FRITEUSE ELECTRIQ. FE2/40E PAG. 2
COD.	BESCHREIBUNG	DESCRIZIONE	DESCRIPTION	DESCRIPTION	QUANT.
3008305367	TRÄGER LAGER	PORTANTE SUPPORTI	MEMBER SUPPORTS	PORTANT SUPPORTS	FE2/40 1
3009600147	STIFT SCHARNIER	PERNO CERNIERA	HINGE PIN	PIVOT CHARNIERE	S/70-S/85 1
3009704297	RÜCKWAND	SCHIENA	BACK	DOS	G/40 1
3011504296	SEITENWAND FRIT.L..	FIANCO FRIGG.S.	FRYER LH SIDE	COTE FRITEUSE G.	G/85 1
3011508352	SEITENWAND FRIT.R.	FIANCO FRIGG.D.	FRYER RH SIDE	COTE FRITEUSE D.	G/85 1
3014205438	VERSTÄRKUNG TÜR	RINFORZO PORTINA	DOOR STIFFENER	RENFORT PORTE	G/40 1
3041803528	SCHRAUBE HEIZKÖRP.	VITE RESISTENZA	HEAT.ELEM. SCREW	VIS RESISTANCE	EF 4
3050905656	ÖL-SCHWAPPFILTER	FILTRO OLIO	OIL FILTER	FILTRE HUILE	FG/FE/GF 2
3500805331	ABDECKUNG KAMIN N	CRUSCOTTO CAMINO N	FLUE BLANK PANEL	TABLEAU CHEMINEE N.	G/40 1
3501605430	BODEN	FONDO	BOTTOM	FOND	FE/40/E 1
3503103523	DECKEL KLEMME	COPERCHIO MORS.	TERMINAL COVER	COUVERCLE BORNE	EF/40-FE2/40 2
3503105645	DECKEL	COPERCHIO	COVER	COUVERCLE	FE/40 1
3504305661	FASSADE	FACCIATA	FACING	DEVANT	FG/FE/40 1
3504508169	SCHIENE GEL.195mm	GUIDA FORATA	PERFOR.GUIDE 195mm	GUIDE A TROUS 195mm	FE2/40/E 1
3508304243	TRÄGER QUER UNT.L	PORTANTE TRAS.INF.S.	MEMBER CROSS BOT.LH	PORTANT TRANS.INF.G.	G/85 1
3508305473	TRÄGER FUSS	SUPPORTO PIEDE	FOOT SUPPORT	SUPPORT PIED	G/85 4
3508305635	TRÄGER LÄNGS VORNE	PORTANTE LONG.ANT.	MEMBER LONG. FRONT	PORTANT LONG.AVANT	FG/FE/40 1
3508308224	TRÄGER QUER UNT.R.	PORTANTE TRAS.INF.D.	MEMBER CROSS BOT.RH	PORTANT TRANS.INF.D.	G/85 1
3510605634	RAHMEN ÖLSIEB	TELAIO FILTRAOLIO	OIL FILTER FRAME	CHASSIS FILTRE HUI.	FG/GF 1
3511806268	SCHALTBLLENDE	PANNELLO COMANDO	CONTROL PANEL	PANNEAU COMMANDE	FE2/40/E 1
3512005071	SCHARNIER OBEN L.	CERNIERA SUP.SIN.	HINGE LH SUPPORT	CHARNIERE SUP.GCHE	G/85 1
3515405663	WANNE ÖLABLAUF	VASCA SCARICO OLIO	OIL DRAIN PAN	CUVE DECHARGE HUIL.	FG/GF 1
5001804340	BLLENDE-ABSCHLUSS	TERMINALE CRUSCOTTO	PANEL ENDPICE	EXTREMITE TABLEAU	S/85 2
5004508168	SCHIENE GELOCHT	GUIDA SUPP.TELERUTT. 200cm	REMOTE SWITCH SUPT.200cm	GUIDE SUPP.TELERUPT.	200cm ,100
5004605409	FUSS VERSTELLBAR	PIEDINO REGOLABILE	ADJUSTABLE FOOT	PIED REGLABLE	G/85 4
5005607482	GRIFF DECKEL	MANIGLIA COPERCHIO	COVER HANDLE	POIGNEE COUVERCLE	EF/GF 1
5006304054	HALTER HEIZKÖRPER L.	SUPPORTO RESISTENZA SX	HEAT.ELEM. SUPPORT LH	SUPPORT RESISTANCE GCHE	EF/FE 1
5006304055	HALTER HEIZKÖRPER M.	SUPPORTO RESIST.CENTR.	HEAT.ELEM. SUPT.CENTRE	SUPPORT RESIST.CENTR.	EF/FE 1
5006304056	HALTER HEIZKÖRPER R.	SUPPORTO RESISTENZA DX	HEAT.ELEM. SUPPORT RH	SUPPORT RESIST.DROIT	EF/FE 1
5010102360	NETZ ÖLSIEB246x460mm	SETACCIO OLIO 246x460mm	OIL SIEVE.246x460mm	SAS HUILE 246x460mm	FG/FE 1
5015402022	WANNE FRITEUSE	VASCHETTA FRIGGITRICE	FRYER PAN	CUVETTE FRITEUSE	EF/35/40 2
5017300269	DICHTUNG CU	GUARNIZIONE CU 21,5x28x1,5	GASKET CU 21.5x28x1.5	JOINT TORIQUE CU 21,5x28x1,5	21,5x28x1,5 2
5017303260	DICHTUNG CALORIT	GUARNIZIONE CALORIT D=20x26x2	GASKET CALORIT D=20x26x22	JOINT TORIQUE CALORIT	D=20x26x2 2
5020804334	KORB KLEIN	CESTELLO PICCOLO	BASKET SMALL	PETIT PANIER	F/40 2
5024107685	THERMOFÜHLER JUMØ	TERMOCOPPIA+GUAINA	THERMOCOUP.+SHEATH	THERMOCOUPLE +GAIN.	EF/FE/E 2
5027609400	ROLLE KUNSTSTOFF GERÄTE	BOCCOLA NYLON	BUSHING NYLON 66 NATURAL	BOUCLE NYLON 66 NATUREL	1
5060507679	ANSCHLUSSKLEMME 5-POLIG	MORSETTIERA 8016 V/5 DS KR	TERMINAL 8016 V/5 DS KR	BORNE 8016 V/5 DS KR	1
5060507681	ANSCHLUSSKLEMME 10Q 4-POLIG	MORSETTIERA 8010/4.DS.KR.	TERMINAL 8010/4.DS.KR.	BORNE 8010/4.DS.KR.	2
5060507682	ANSCHLUSSKLEMME 10Q 3-POLIG	MORSETTIERA 8010/3 DS.KR.	TERMINAL 8010/3 DS.KR.	BORNE 8010/3 DS.KR.	1
5060805421	HEIZKÖRPER 5000W	RESISTENZA 5000W	HEAT.ELEM. 5000W	RESISTANCE 5000W	FE2/40 2
5060903316	SCHALTER DREEFS	INTERRUTTORE DREEFS 2-WI XII/	SWITCH DREEFS 2-WI XII/	INTERRURTEUR DREEFS 2-WI XII/	250V 16A 2
5061407226	SCHÜTZ	CONTATTORE C4 220V	CONTACTOR C4 220V	CONTACTEUR	C4 220V 2
5061603878	SICHERHEITSTHERMOSTAT	TERMOSTATO LIMITATORE	LIMITER THERMOSTAT	THERMOSTAT LIMITEUR FE	FE 2

ERSATZTEILLISTE

LISTA ARTICOLARI

LIST OF PARTS

LIST DES COMPOSANTS

26.07.91

0103901462

ELT-FRITEUSE

FRIGGITRICE ELT.

ELECTRIC FRYER

FRITEUSE ELECTRIQ.

FE2/40E PAG. 3

COD.	BESCHREIBUNG	DESCRIZIONE	DESCRIPTION	DESCRIPTION	QUANT.
5061607180	ELEKTRON. TEMP. REGL.	MICROSTAT-T ELETTRONICO	MICROSTAT-T ELECTRONIC JUMO	MICROSTAT-T ELECTRONIQ.	JUMO 2
5061903541	KABELDURCHLASS HEYCO	BOCCOLA PASSACAVI HEYCO	CABLE GROMMET HEYCO	COUSSINET OEILLET HEYCO	D=30 1
5061903543	KABELDURCHLASS HEYCO	BOCCOLA SEMIAPERTA HEYCO	BUSHING SEMI-OPEN HEYCO	COUSSINET SEMI-OUVERT HEYCO	D=20 5
5062807686	TRANSFORMATOR JUMO	TRASFORMATORE	TRANSFORMER JUMO TYPE	TRANSFORMATEUR JUMO TYPE2	TIP8840/11 2
5207400704	HOLZVERSCHLAG	IMBALLO LEGNO	WOODEN CRATE	EMBALLAGE BOIS	S/40 1