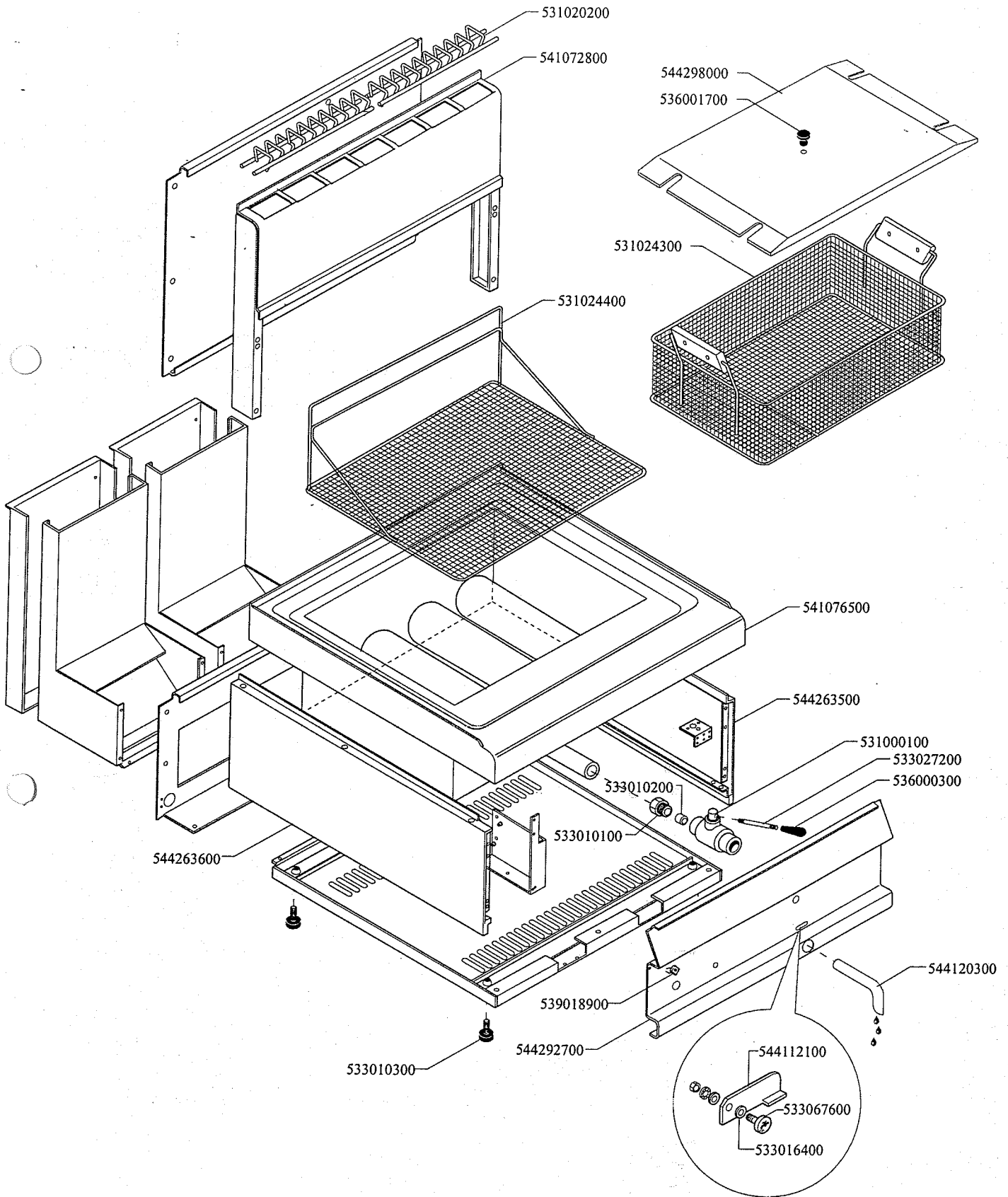
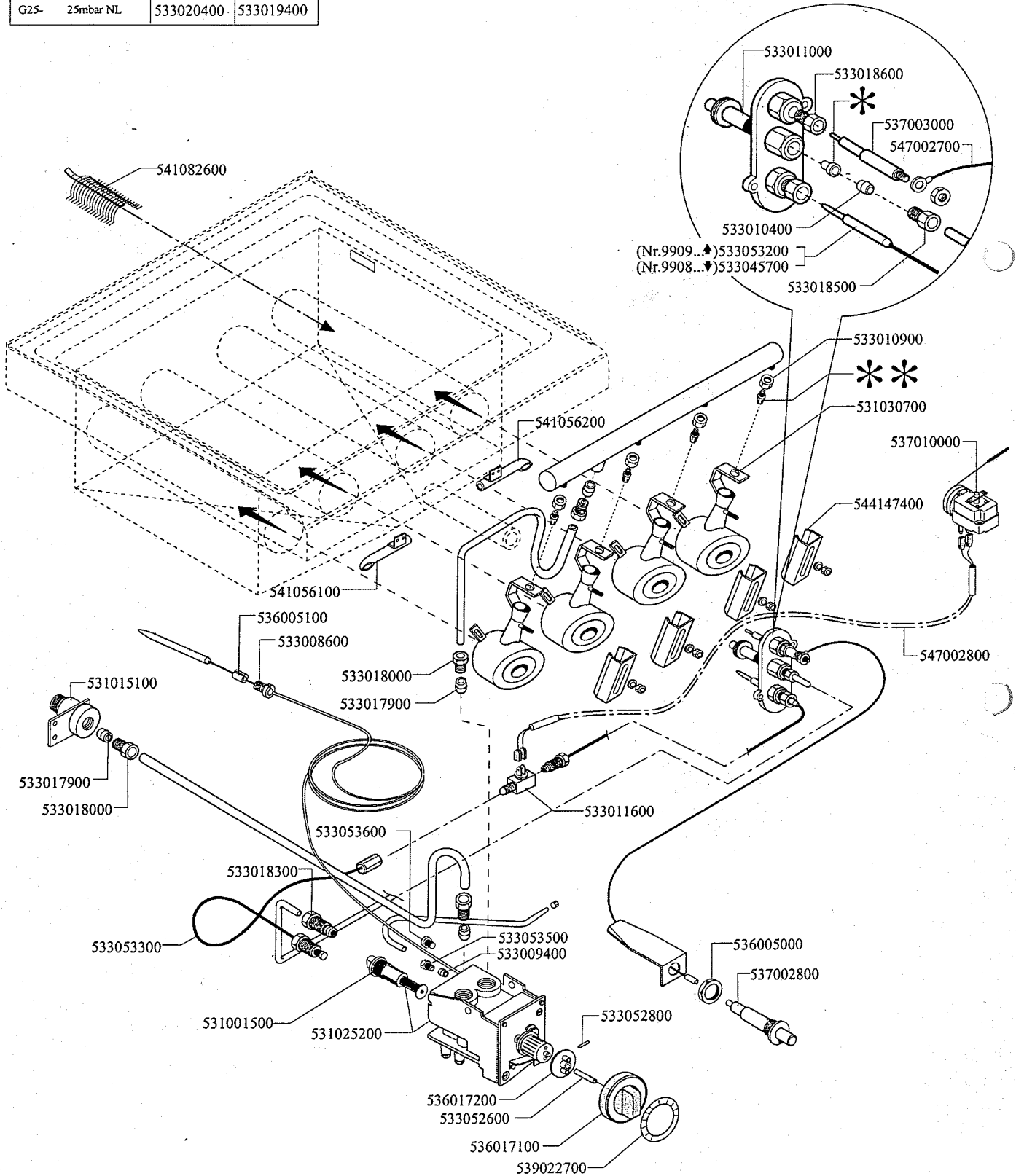


FP-6G



FP-6G

	*	**
G30- 28+30mbar G31- 37mbar	533020200	533043700
G30- 50mbar	533020200	533014700
G20- 20mbar G25- 25mbar	533020400	533055200
G25- 20mbar	533020400	533043100
G25- 25mbar NL	533020400	533019400



Page	Pos	Code	Description
001		531020200	FLUE GRID 300"S65"
001		541072800	PERFORATED SPACER 6
001		544298000	TANK LID FP-6G
001		536001700	GRIP D.25*19*M6
001		531024300	FRYER BASKET FP-6G
001		531024400	TANK FILTER/BASKET SUPPORT FP-6G
001		541076500	UPPER PLATE FP-6G
001		544263500	RIGHT SIDE S.65
001		544263600	LEFT SIDE S.65
001		533010300	ADJUSTABLE FOOT M10*20 D.23
001		544292700	CONTROL PANEL FP-6G
001		539018900	INDEX FOR KNOB
001		544112100	COCK FIXING BRACKET FG-10
001		533067600	PIN FOR GRADUATED COCK BUSHING
001		533016400	COCK BUSHING
001		544120300	DRAIN PIPE 22 FOR COCK 3/4"G
001		531000100	DRAIN COCK 3/4"
001		533027200	HANDLE FOR DRAIN COCK 3/4"G FG
001		536000300	FIXED GRIP D.15*25*M6
001		533010100	3/4 D. 18 PIPE UNION
001		533010200	BICONE 18S
002		533020200	PILOT JETS 0160 FOR LPG §30
002		533020400	NOZZLE 0160 (NATURAL GAS) 51
002		533043700	NOZZLE §98 CH12*14 G-FQ/FP/CP65
002		533014700	NOZZLE §85 CH12*14 F-FQ5
002		533055200	NOZZLE §153 CH12*14 M/L-FQ/P65
002		533043100	NOZZLE §185 G25 CH12X14
002		533019400	NOZZLE §180 CH12*14 L-FQ5
002		533011000	PILOT BURNER 3 FLAMES 320
002		533018600	PLUG FITTING
002		537003000	PLUG M4 - LONG ELECTRODE
002		547002700	HIGH-VOLTAGE CABLE L=500
002		533010400	BICONE D.6
002		533053200	THERMOCOUPLE 200 M9*1
002		533045700	THERMOCOUPLE M9*1 500
002		533018500	FITTING FOR BICONE D.6 M10*1
002		533010900	NUT M14*1 H.4
002		531030700	BURNER "S" FMG-10/15
002		537010000	SAFETY THERMOSTAT 220°C SINGLEPHASE
002		544147400	AIR ADJUSTMENT BUSHING FMG-FQ
002		541056200	RIGHT IGNITION TUBE FP-62G
002		541056100	LEFT IGNITION TUBE FP-62G
002		536005100	GRAPHITE §07,4 GASKET
002		533008600	STUFFING BOX M9*1
002		533018000	ELBOW FOR BICONE D.12 3/8 RS L20
002		533017900	BICONE D.12
002		531015100	FITTING 1/2"G - 3/8" G
002		541082600	HEAT ACCUMULATOR FQ/FP/CP
002		533053300	THERMOCOUPLE EXTENSION M9*1
002		533018300	FITTING WITH BICONE 6 M10*1
002		533053600	EUROSIT VALVE PLUG

Page	Pos	Code	Description
002		531001500	MAGNET FOR EUROSIT VALVE
002		531025200	EUROSIT VALVE FQ 110-190°C
002		533053500	FLARED FITTING FOR BICONE 3/8G
002		533009400	BICONE 10S
002		533052800	ELASTIC PEG §2,5*26
002		536017200	MATCHER REMOTE CONTROL EUROSIT
002		533052600	PIN FOR KNOB 65LINE
002		536017100	BLACK KNOB §70 PIN §8*6,5
002		539022700	ADHESIVE GRADUATED DISC FOR KNOB
002		536005000	NUT M18 FOR PIEZOELECTRIC IGNITION
002		537002800	PIEZOELECTRIC IGNITION M18
002		547002800	SAFETY CABLE FOR GAS FRYER
002		533011600	THERMOCOUPLE CUT-OFF M9*1-F9*1