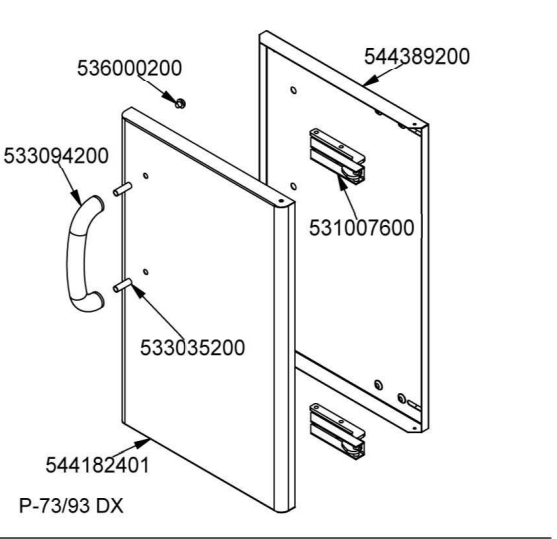
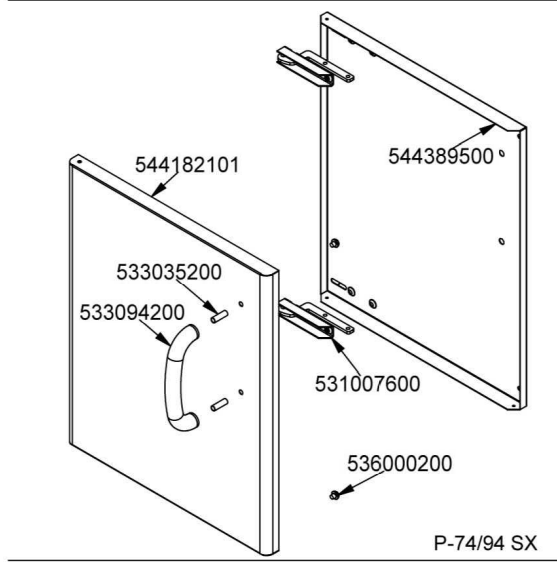


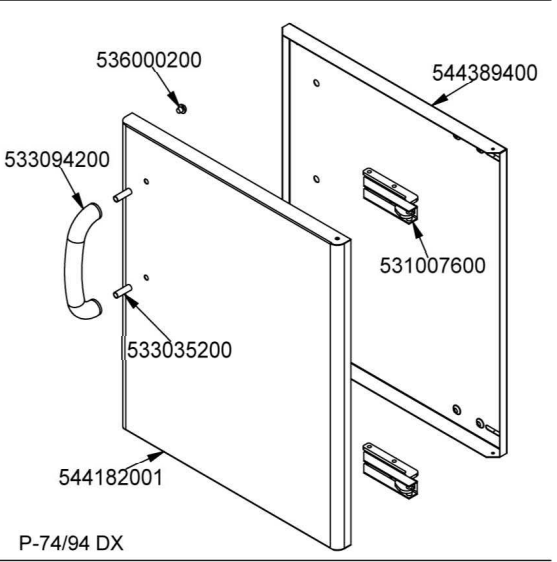
P-73/93 SX



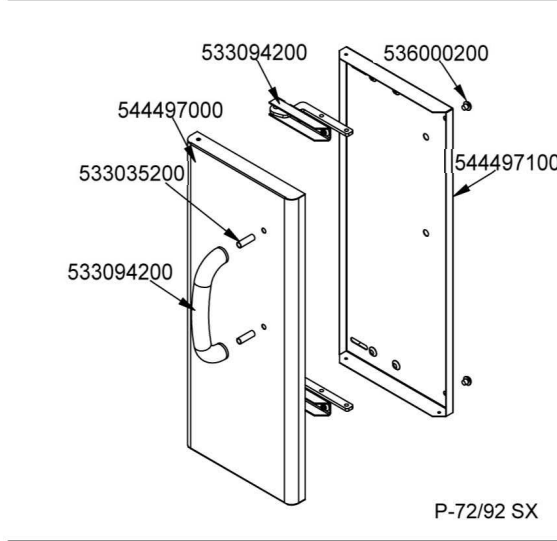
P-73/93 DX



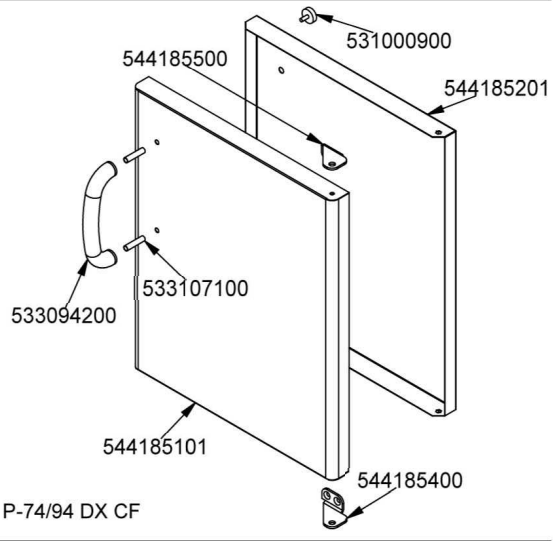
P-74/94 SX



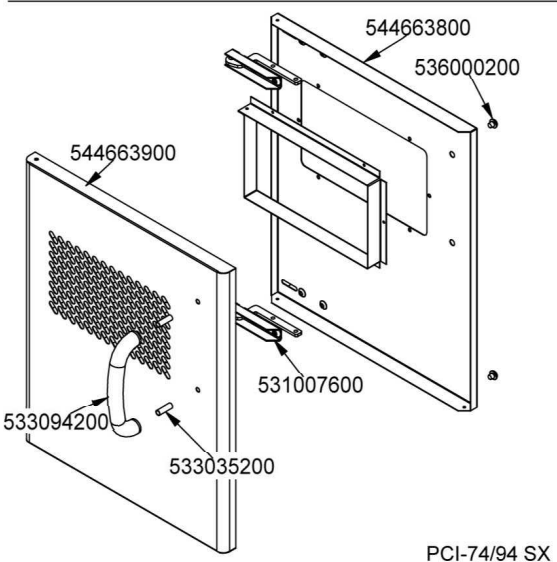
P-74/94 DX



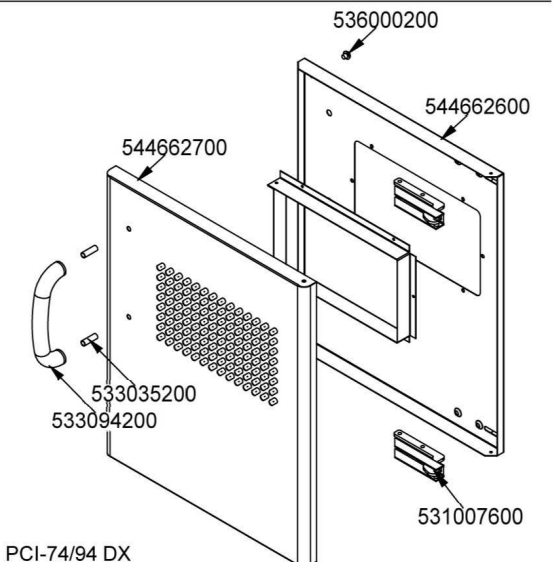
P-72/92 SX



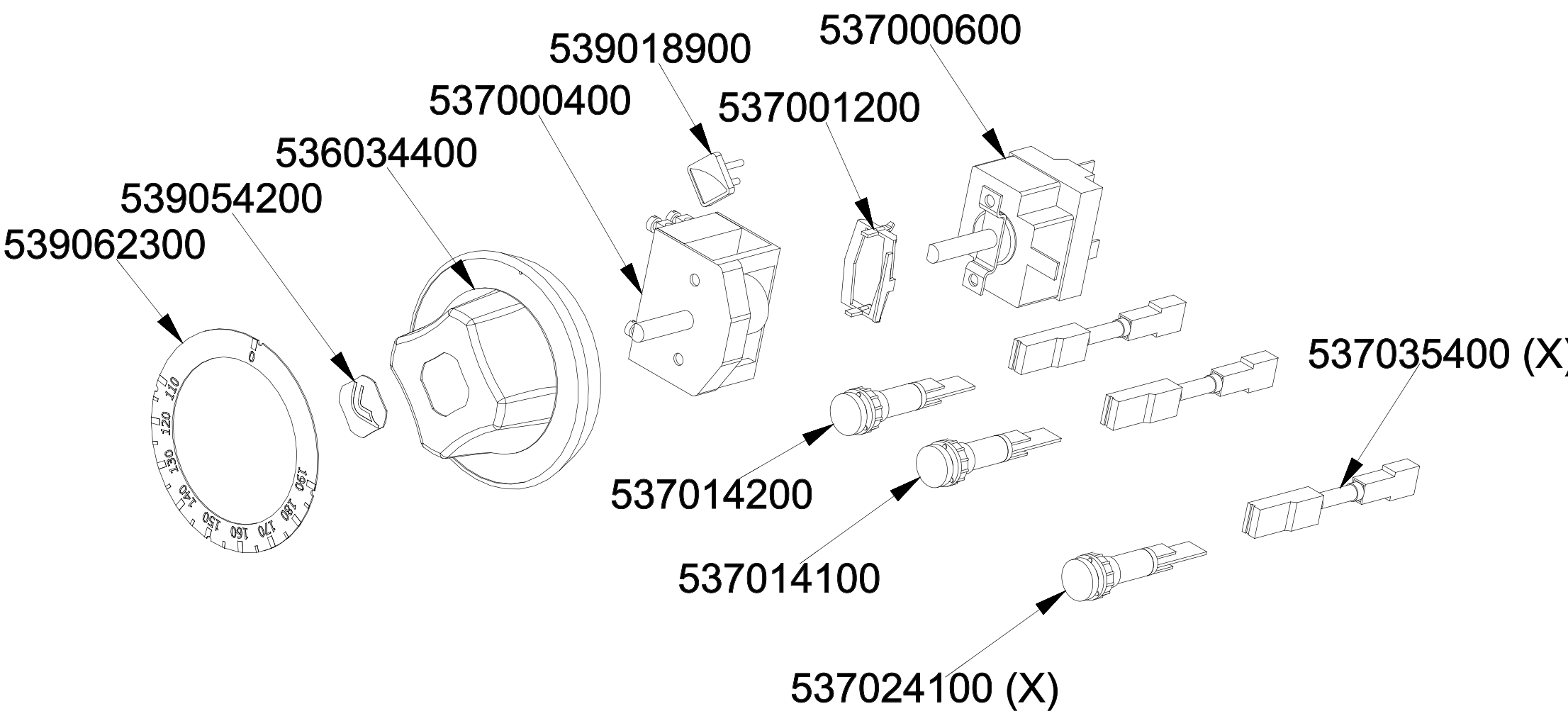
P-74/94 DX CF



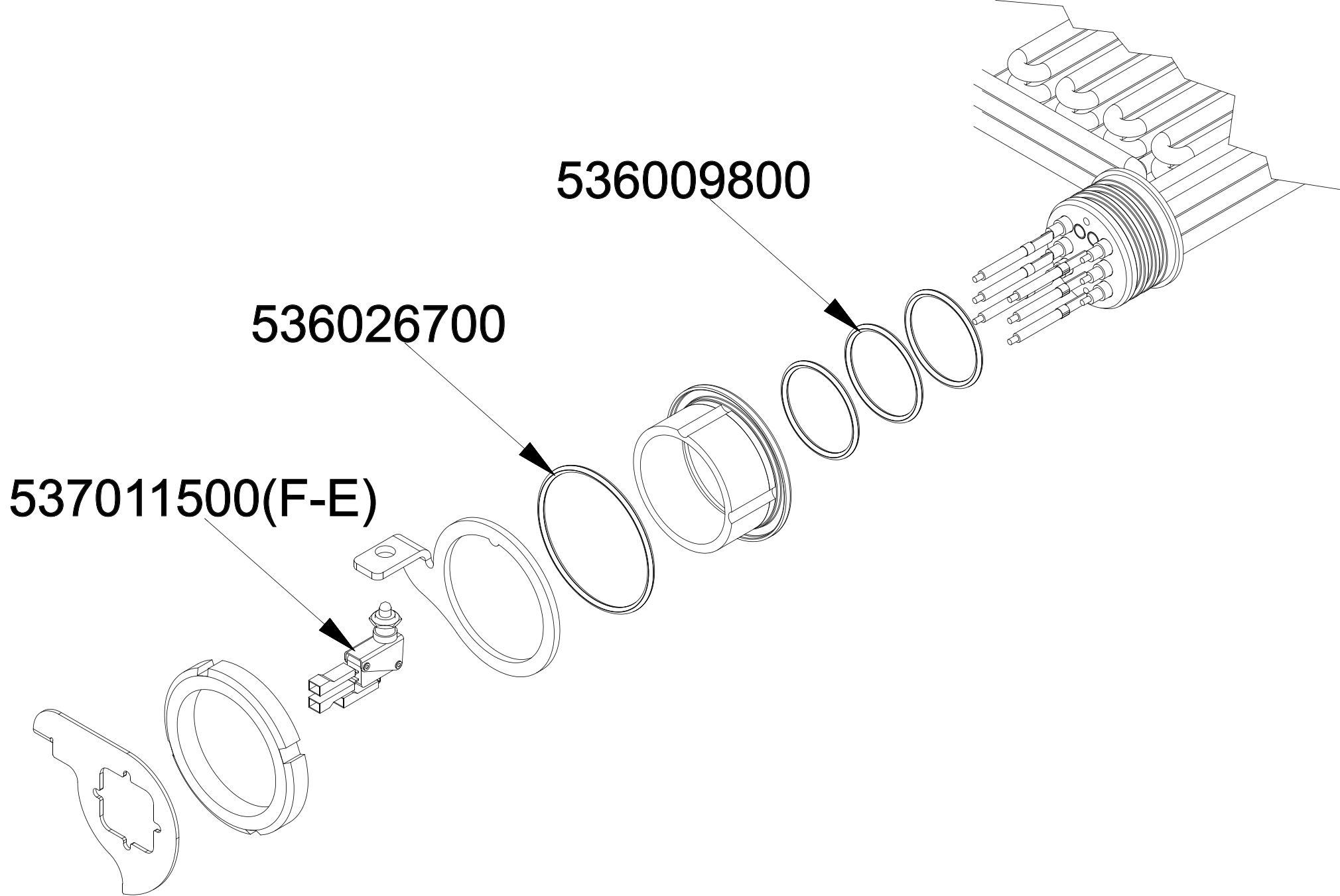
PCI-74/94 SX



PCI-74/94 DX



560100200M01P00



560111000 M00P00

Page	Pos	Code	Description
001		531013300	FRYER BASKET 10LTS.GAS/70EL.
001		533094200	S/S HANDLE FOR 70/90 SERIES
001		544462300	TANK LID FOR F-70
001		537032000	HEATING ELEMENT 9750W 230V 3ELEMENT
001		537032001	RES.COR.ROT.F13 11950W 3-230V
001		537032200	HEATING ELEM.F13 9750W 440V3
001		537032201	RES.COR.ROT.F13 11950W 3-440V
001		531051900	TANK FILTER/BASKET SUPPORT F13-74E
001		541134200	NEUTRAL LOW SPACER 78
001		541107202	UPPER PLATE F2/13-78E
001		537035400	HEATING ELEMENT 00003W 330KOHM W/F
001		544173500	LEFT SIDE PANEL S.70
001		537014200	GREEN WARNING LIGHT 250V
001		537024100	RED WARNING LIGHT LOW BUD 110V
001		537027400	TERMINAL BLOCK THREEPHASE 40A
001		537007200	5POLES TERMINAL BLOCK PA 27 WP NY
001		537001400	SAFETY THERMOSTAT 235°C THREEPHASE
001		537001300	SAFETY THERMOST.235°C SINGLEPH+NUT
001		533044401	M8 THREADED CAP FOR SEC.THERMOSTAT
001		537010100	REMOTE CONTROL SWITCH 20A 230V
001		537009500	REMOTE CONTR.SWITCH35A 690V B.230V
001		541141000	CONTROL PANEL 607090 F2/13-78ETX
001		537037300	HEATING ELEMENT 00003W 56KO
001		537037100	ACOUSTIC SIGNALLER 230VAC
001		531018600	BALL VALVE 1"G M-F CPM-62G
001		541047200	FILTER FOR DRIP TRAY
001		537037500	REMOTE CONTROL 20A 690V BOBINE 380V
001		537041400	REMOTE CONTROL 20A 690V BOBINE 460V
001		544173400	RIGHT SIDE PANEL S.70
001		541077100	FILTER FOR DRIP TRAY 23L
001		536005200	INOX LEG 2" 120-180 M10
001		531015900	ADJUSTABLE LEG 2"
002		544389300	CONTROP.73 SX APP. LT
002		531007600	DOOR HINGE
002		544182501	LEFT DOOR 73
002		533094200	S/S HANDLE FOR 70/90 SERIES
002		533035200	HANDLE SPACER
002		536000200	D.12 H.4 BUMPER
002		544389200	CONTROP.73 DX APP. LT
002		544182401	RIGHT DOOR 73
002		544182101	LEFT DOOR 74
002		544389500	INNER-DOOR OF LHD 74
002		544389400	CONTROP.74 DX APP. LT
002		544182001	RIGHT DOOR 74
002		544497000	PORTA 72 SX
002		544497100	CONTROP.72 SX APP. LT
002		544185101	RIGHT DOOR 74 CF
002		533107100	HANDLE SPACER OF CF-70
002		544185500	UPPER DOOR HINGE FOR COMPARTME CF70
002		531000900	MAGNET \$22 KG.3 WITH DISK
002		544185201	INNER DOOR * 74DX

Page	Pos	Code	Description
002		544185400	LOWER DOOR HINGE FOR COMPARTME CF70
002		544663900	LHD 74 DOOR FOR PCI
002		544663800	74 LHD OVEN INNER DOOR FOUR PCI
002		544662700	DOOR 74 DX PCI
002		544662600	CONTROP.74 DX APP. LT PCI
003		537000600	THERMOSTAT 90-180°C SINGLEPHASE
003		539018900	INDEX FOR KNOB W/RED SIGN
003		537000400	COMMUTATOR 1POS.SINGLEPHASE S49 16A
003		537001200	FIXING BRACKET FOR THERMOSTAT/COMM.
003		536034400	KNOB §77 4P. §06*4,6 C/M
003		539054200	STAMP Ø20,5 CR."L" LOTUS R.
003		539062300	RED STICKING DISK 72 (110,190°
003		537035400	HEATING ELEMENT 00003W 330KOHM W/F
003		537014200	GREEN WARNING LIGHT 250V
003		537014100	WHITE WARNING LIGHT 250V
003		537024100	RED WARNING LIGHT LOW BUD 110V
004		536009800	GASKET O-RING 47,22X3,53 VITON
004		536026700	GASKET O-RING 74,61X3,53 VITON
004		537011500	MICRO-SWITCH 10A 400V