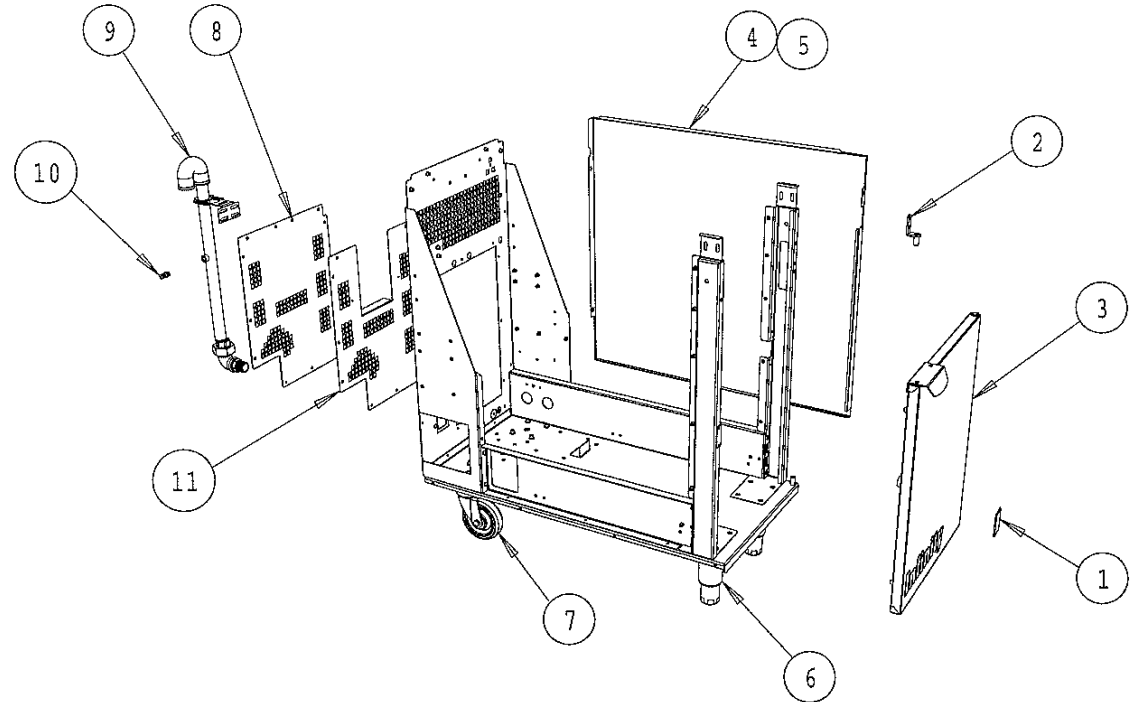


IF IN DOUBT ASK!!

DO NOT SCALE !!
First Angle Projection



G2840/1/2 SINGLE PAN FRYER - OUTER PANELS		
Part No.	Spares No.	Description
1	535770010	FALCON BADGE
2	535770016	DOOR HINGE
3	535770017	DOOR ASSEMBLY
4	535770018	RH OUTER SIDE PANEL
5	535770019	LH OUTER SIDE PANEL
6	535770020	ADJUSTABLE FOOT (1 OFF)
7	535770021	CASTOR (1 OFF)
8	535770045	REMOVABLE OUTER BACK (NO BASKET LIFT)
9	535770046	GAS INLET PIPE ASSEMBLY
10	535770047	PRESSURE TEST NIPPLE
11	535780001	REMOVABLE OUTER BACK (WITH BASKET LIFT)



No reproduction or publication of this drawing may be made and no article may be manufactured or assembled in accordance with this drawing without prior written consent. This publication is a part of any contract relating to this article. Profile drawings under the Copyright Act 1988 are reproduced by the Copyright Clearance Center.

This part is common to the following units



All Dimensions in millimetres. Tolerance - Linear $\pm 0.5mm$ Angular $\pm 0.5^\circ$ (or as stated)

Drawing Number BD42329					
	B	SPARES ISSUED - ISSUE E	S. BROWN	22/12/05	
	A	977/14 PRODUCTION ISSUE	G. SMITH	18/02/04	
Issue	Mod No.	Alteration	Zone	Drawn by	Date

UNCONTROLLED

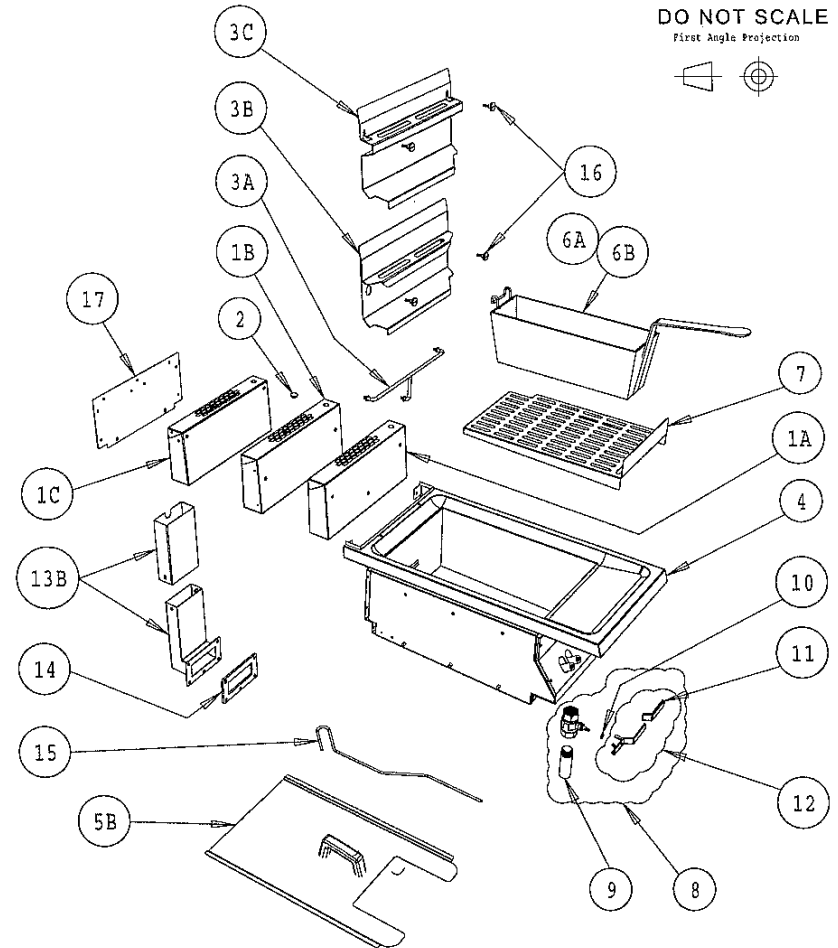
Drawn	G. SMITH	Product	G2840/1/2 SINGLE PAN FRYER	
Date	18/02/04	Title	SPARES - OUTER PANELS	
Scale	N. T. S.	Drawing Number	BD42329	Issue
Matl.				B
No. off		Finish		
Bin No.		Kraus No.	T111392	

Falcon Foodservice Equipment. Wallace View Hillfoots Road Stirling Scotland

IF IN DOUBT ASK!!

DO NOT SCALE !!
First Angle Projection

G2840/1/2 SINGLE PAN FRYER - FITMENTS		
PART No.	SPARES No.	DESCRIPTION
1A	535770000	OUTER FLUE PANEL - FOR WIRE HANGING RAIL - PRE DEC 2004
1B	535870019	FLUE ASSEMBLY - FOR TWO PIECE HANGING RAIL - PRE FEB 2006 - SUPPLY 1Z
1C	535770114	FLUE ASSEMBLY - FOR ONE PIECE HANGING RAIL
1Z	535770117	FLUE ASSEMBLY - 1C + 3C
2	535770001	FLUE HOLE PLUG
3A	535770002	BASKET HANGING RAIL - WIRE - PRE DEC 2004
3B	535770096	BASKET HANGING RAIL - TWO PIECE - PRE FEB 2006
3C	535770115	BASKET HANGING RAIL - ONE PIECE
4	535770003	HOB & PAN ASSEMBLY
5A	535770004	PAN LID - DISCONTINUED - NOW AS 5B
5B	535780000	PAN LID
6A	535770005	BASKET - LIPT MODELS ONLY
6B	535770089	BASKET - STANDARD
7	535770006	FISH PLATE
8	535770011	DRAIN VALVE ASSEMBLY
9	535770012	DRAIN OUTLET PIPE
10	535770013	DRAIN HANDLE SPACER
11	535770014	DRAIN HANDLE C/W SLEEVE
12	535770015	DRAIN HANDLE SLEEVE
13A	535770048	FLUE RISER - ONE PIECE - DISCONTINUED - NOW AS 13B
13B	535870015	FLUE RISER - TWO PIECE
14	535770049	FLUE RISER GASKET
15	535770088	DRAIN PROD
16	535770100	HANGER SCREW
17	535870020	FLUE OUTER BACK



All Dimensions in millimetres, Tolerance- Linear $\pm 0.5mm$ Angular $\pm 0.5^\circ$ (or as stated)

C		SPARES ISSUED - ISSUE C		S. BROWN	09/12/05	
B	5168	BASKET MODIFIED		G. SMITH	26/07/04	
A	977/14	PRODUCTION ISSUE		G. SMITH	18/02/04	
G	Issue	Mod No.	Alteration	Zone	Drawn by	Date



Drawn	G. SMITH	Product	G2840/1/2 SINGLE PAN FRYER		
Date	18/02/04	Title	SPARES - FITMENTS		
Scale	N. T. S.	Matt.	_____	_____	
Bin No.	_____	Finish	_____	_____	
		Kraus No.	T111391		
		Drawing Number	AD42328	Issue	C

No reproduction or publication of this drawing may be made and no article may be manufactured or assembled in accordance with this drawing without prior written consent. The copyright is the property of any contract relating to this drawing. Rights reserved under the Copyright Act 1956 as amended by the Design Copyright Act 1988.

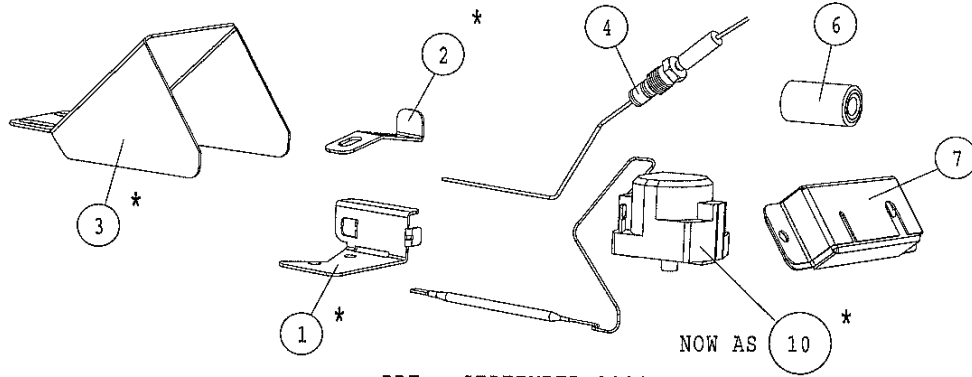
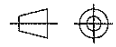
This part is common to the following units

UNCONTROLLED

Falcon Foodservice Equipment. Wallace View Hillfoots Road Stirling Scotland

IF IN DOUBT ASK!!

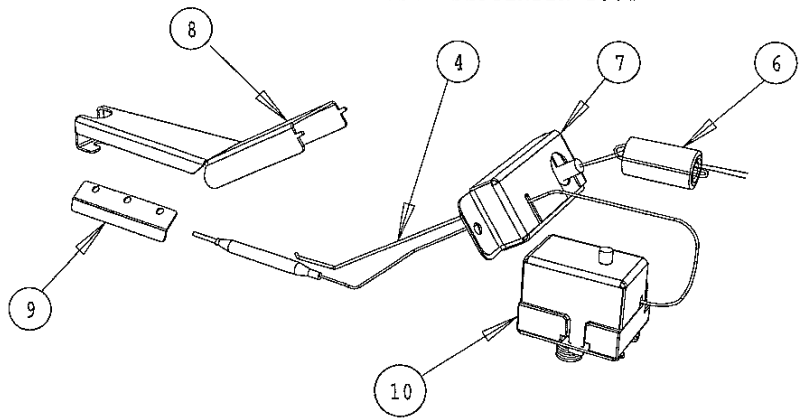
DO NOT SCALE !!
First Angle Projection



PRE - SEPTEMBER 2004

G2840/1/2 SINGLE PAN FRYER - CONTROLS		
Part No.	Spares No.	Description
1	535770007	Phial Guard Mounting Bracket*
2	535770008	Phial Guard Retaining Bracket*
3	535770009	Phial Guard*
4	535770069	Thermocouple
5	—	Discontinued
6	535770071	Ferrite Bead
7	535770072	Boss Insulation Assembly
8	535770098	Phial Guard
9	535770099	Phial Clamp Plate
10	535770070	Safety Limit Device

POST- SEPTEMBER 2004



* PRE - SEPTEMBER 2004

All Dimensions in millimetres, Tolerance- Linear $\pm 0.5mm$ Angular $\pm 0.5^\circ$ (or as stated)

B		SPARES ISSUED - ISSUE B		S. BROWN	07/12/05	
A	977/14	PRODUCTION ISSUE		G. SMITH	17/02/04	
G	Issue	Mod No.	Alteration	Zone	Drawn by	Date



Drawn	G. SMITH	Product	G2840/1/2 SINGLE PAN FRYER		
Date	17/02/04	Title	SPARES - CONTROLS		
Scale	N.T.S.	Matl.	_____	Drawing Number	Issue
No. off	_____	Finish	_____	AD42326	B
Bin No.	_____	Kraus No.	T111389		

No reproduction or publication of this drawing may be made and no article may be manufactured or assembled in accordance with this drawing without prior written consent. This prohibition is altered if any contract relating to this drawing. Rights reserved under the Copyright Act 1988 as amended by the Design Copyright Act 1988.

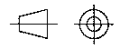
This part is common to the following units

UNCONTROLLED

Falcon Foodservice Equipment. Wallace View Hillfoots Road Stirling Scotland

IF IN DOUBT ASK!!

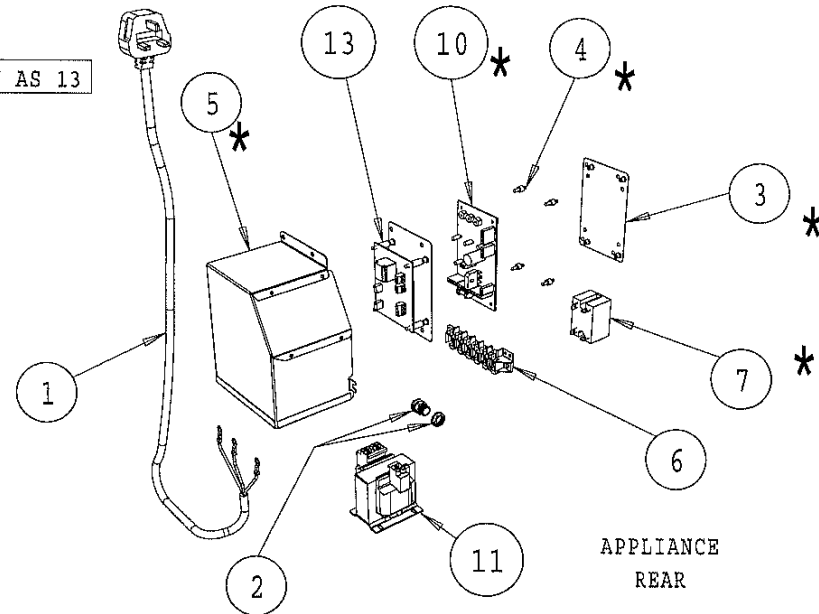
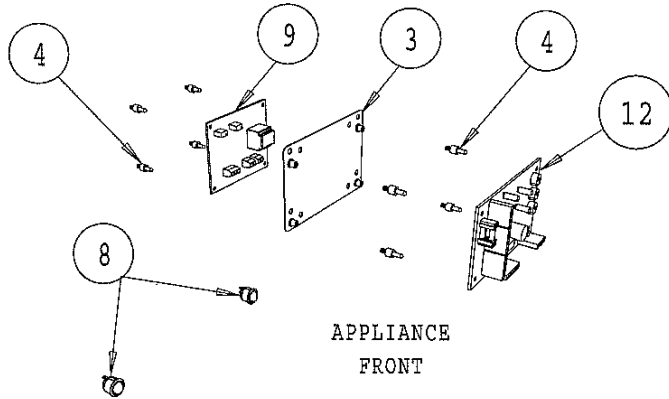
DO NOT SCALE !!
First Angle Projection



* PRE - JUNE 2005

G2840/1/2 SINGLE PAN FRYER - ELECTRICS

Part No.	Spares No.	Description
1	535770061	MAINS CABLE C/E PLUG
2	535770062	MAINS CABLE CORD GRIP
3	535770063	SOFT START MOUNTING PLATE
4	535770064	STAND OFF (1 OFF)
5	535770065	REAR ELECTRICS COVER PLATE
6	535770066	MAINS TERMINAL BLOCK
7	535770067	RELAY *
8	535770068	MOMENTARY SWITCH (1 OFF)
9	535770107	EBM FAN SPEED CONTROLLER PCB
10	535770044	HONEYWELL SOFT START BOARD PCB 230V NOW AS 13
11	535770116	TRANSFORMER 230V TO 24V
12	535870005	HONEYWELL SOFT START BOARD PCB 24V
13	535870022	SOFT START TO EBM CONVERSION KIT



All Dimensions in millimetres, Tolerance- Linear $\pm 0.5\text{mm}$ Angular $\pm 0.5^\circ$ (or as stated)

B	SPARES ISSUED - ISSUE B	S. BROWN	09/12/05
A	977/14 PRODUCTION ISSUE	G. SMITH	17/02/04
G	Issue	Mod No.	Alteration
		Zone	Drawn by
			Date



Drawn	G. SMITH	Product	G2840/1/2 SINGLE PAN FRYER	
Date	17/02/04	Title	SPARES - ELECTRICS	
Scale	N. T. S.	Matl.	_____	_____
No. off	_____	Finish	_____	_____
Bin No.	_____	Kraus No.	T111390	_____
			Drawing Number	Issue
			AD42327	B

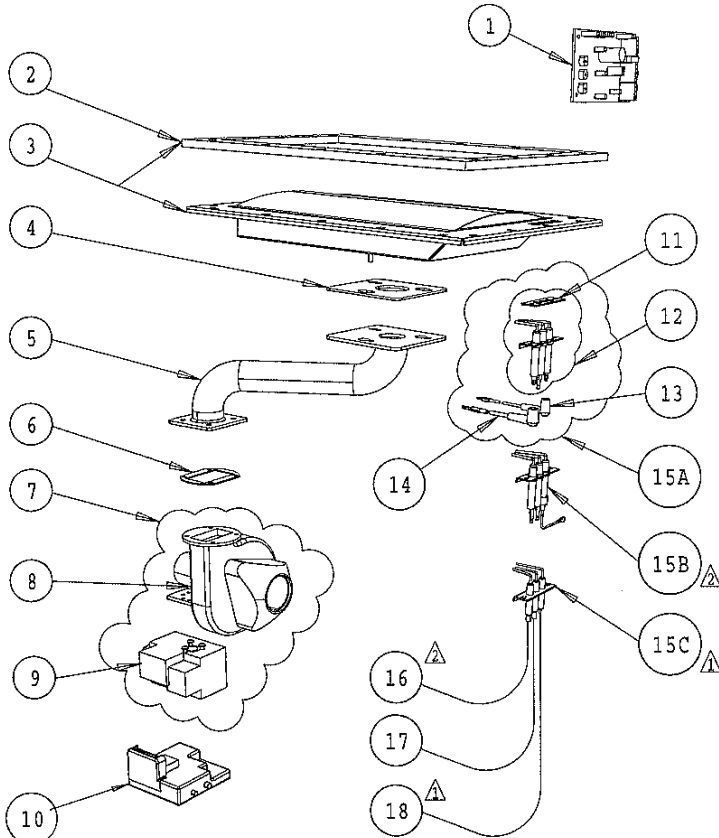
© No reproduction or publication of this drawing may be made and no article may be manufactured or assembled in accordance with this drawing without prior written consent. This prohibition is a term of any contract relating to this drawing. Rights reserved under the Copyright Act 1956 as amended by the Design Copyright Act 1988.

CONTROLLED

Falcon Foodservice Equipment. Wallace View Hillfoots Road Stirling Scotland

IF IN DOUBT ASK!!

DO NOT SCALE !!
First Angle Projection



G2840/1/2 SINGLE PAN FRYER - B/TECH BURNER SYSTEM

PART No.	SPARES No.	DESCRIPTION	COMMENTS
01	536060006	24v FAN SPEED CONTROLLER	
02	536060007	BURNER GASKET	
03	536060008	BURNER HEAD B/TECH	
04	536060009	FEED PIPE TO BURNER HEAD GASKET	
05	536060010	BURNER FEED PIPE	
06	536060011	FAN TO BURNER FEED PIPE GASKET	
07	536060012	UK NAT GAS PRE-MIX ASSY	
	536060013	UK PROPANE GAS PRE-MIX ASSY	
08	536060014	FAN ASSEMBLY 24v (NO VENTURI)	
09	536060015	GAS VALVE 230v (NO VENTURI)	
10	536060016	SPARK IGNITION & CONTROL BOX	
11	536060017	ELECTRODE GASKET	
12	536060018	ELECTRODE ASSEMBLY	
13	536060028	BULLET SENSOR LEAD	
14	536060029	BULLET IGNITION LEAD	
15A	536060030	ELECTRODE CONVERSION KIT	
15B	N/A	DISCONTINUED - ELECTRODE FIXED SENSOR	REPLACE WITH 15A
15C	N/A	DISCONTINUED - ELECTRODE	REPLACE WITH 15A
15B	N/A	DISCONTINUED - ELECTRODE FIXED SENSOR	REPLACE WITH 15A
17	536060021	EARTH LEAD	
18	N/A	DISCONTINUED - SENSOR LEAD	REPLACE WITH 15A
19	536060023	NAT GAS BURNER ASSEMBLY	
20	536060024	LP GAS BURNER ASSEMBLY	

19 NATRAL GAS COMPLETE ASSEMBLY

20 PROPANE GAS COMPLETE ASSEMBLY

1 REPLACED DEC 2005
2 REPLACED APRIL 2006

FOR CONVERSION KITS NAT TO LP
ALSO LP TO NAT SEE DRAWING AD44544

All Dimensions in millimetres, Tolerance- Linear $\pm 0.5\text{mm}$ Angular $\pm 0.5^\circ$ (or as stated)

Drawn	S. BROWN	Product	G2840/1/2 SINGLE PAN FRYER	
Date	20/12/05	Title	SPARES - UK B/TECH BURNER SYSTEM	
Scale	N/A	Matl.	N/A	Drawing Number
		No. off	N/A	AD44460
		Finish	N/A	Issue
		Bln No.	N/A	B
		Kraus No.	T111649	

Issue	Mod No.	Alteration	Zone	Drawn by	Date
B		SPARES ISSUED		S. BROWN	30/08/06
A		SPARES ISSUED		S. BROWN	23/02/06



This part is common to the following units

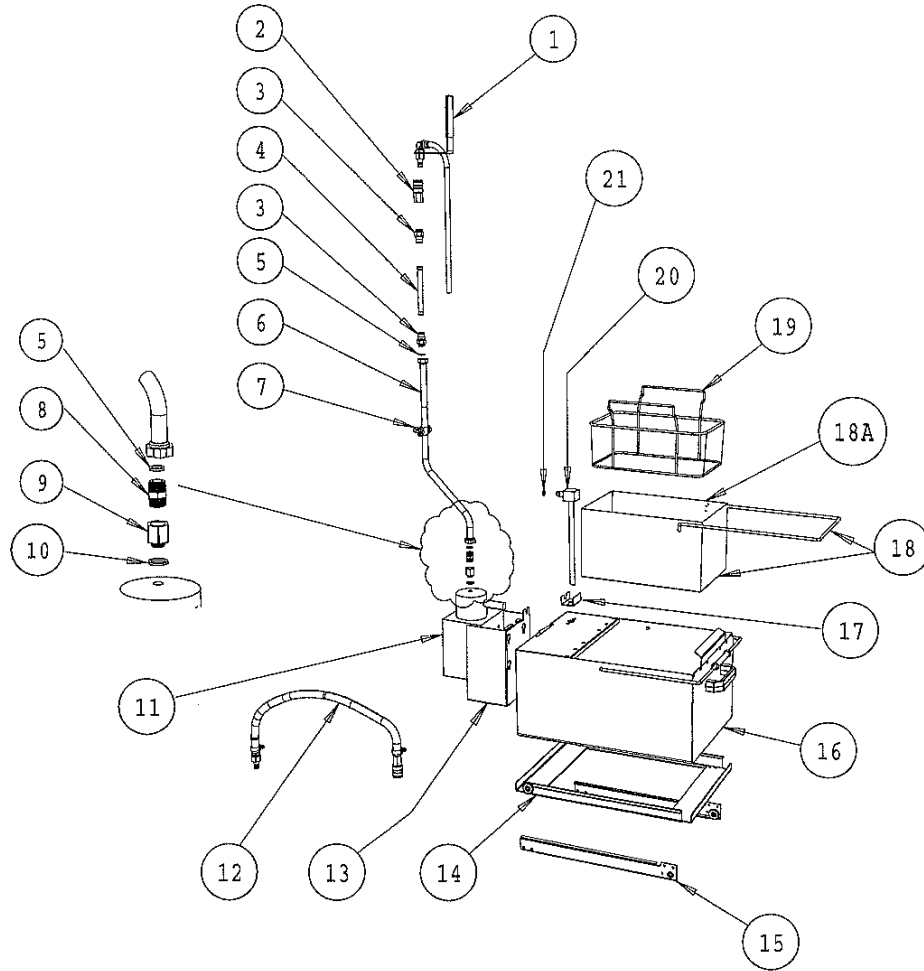
© No reproduction or publication of this drawing may be made and no article may be manufactured or assembled in accordance with this drawing without prior written consent. This prohibition is a term of any contract relating to this drawing. Rights reserved under the Copyright Act 1956 as amended by the Design Copyright Act 1988.

CONTROLLED

Falcon Foodservice Equipment. Wallace View Hillfoots Road Stirling Scotland

IF IN DOUBT ASK!!

DO NOT SCALE !!
First Angle Projection



No.	DESCRIPTION	SPARES No.
01	OIL DELIVERY HOSE	535870010
02	EXTERNAL QUICK RELEASE CONNECTION	535770085
03	INTERNAL QUICK RELEASE FITTING	535770084
04	STAINLESS STEEL RIDGID PIPE	535770110
05	COPPER WASHER \varnothing 15.0mm	737401239
06	STAINLESS STEEL FLEXIBLE PIPE C/W WASHERS	535770111
07	PIPE CLAMP	535770112
08	DOUBLE MALE NIPPLE 3/8" 8mm	535770113
09	INCREASER MALE TO FEMALE C/W 'O' RING	737401233
10	COPPER WASHER \varnothing 8.5mm	737401245
11	FILTRATION PUMP C/W SCREWS	535770077
12	RED EXTENSION HOSE	535770087
13	FILTRATION PUMP MOUNTING BRACKET	535770074
14	OIL RETENTION CRADLE	535770028
15	OIL RETENTION RUNNERS	535770026
16	OIL RETENTION BUCKET C/W SPLASHGUARD	535770095
17	OIL SUCTION PIPE BRACKET	535770075
18	MICRO FILTER ASSEMBLY	535770030
18A	MICRO FILTER	535770120
19	STRAINER BASKET	535770032
20	OIL SUCTION PIPE	535770076
21	OIL SUCTION PIPE 'O'-RING	739400997

All Dimensions in millimetres. Tolerance - Linear ± 0.5 mm Angular $\pm 0.5^\circ$ (or as stated)

© No reproduction or publication of this drawing may be made and no article may be manufactured or assembled in accordance with the drawing without the written consent. This prohibition is in force of any contract relating to this drawing. Rights reserved under the Copyright Act, 1988 as amended by the Design Copyright Act 1988.

This part is common to the following units



Drawn	G. SMITH	Product	G2840/1/2 SINGLE PAN FRYER
Date	18/02/04	Title	SPARES - OIL FILTRATION
Scale	N. T. S.	Drawing Number	BD42331
Issue		Issue	C
Bin No.		Kraus No.	T111393

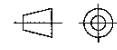
Issue	Mod No.	Alteration	Zone	Drawn by	Date
C		SPARES ISSUED - ISSUE C		S. BROWN	12/12/05
B	5162	OIL RETURN SYSTEM AMENDED		G. SMITH	07/07/04
A	977/14	PRODUCTION ISSUE		G. SMITH	18/02/04

UNCONTROLLED

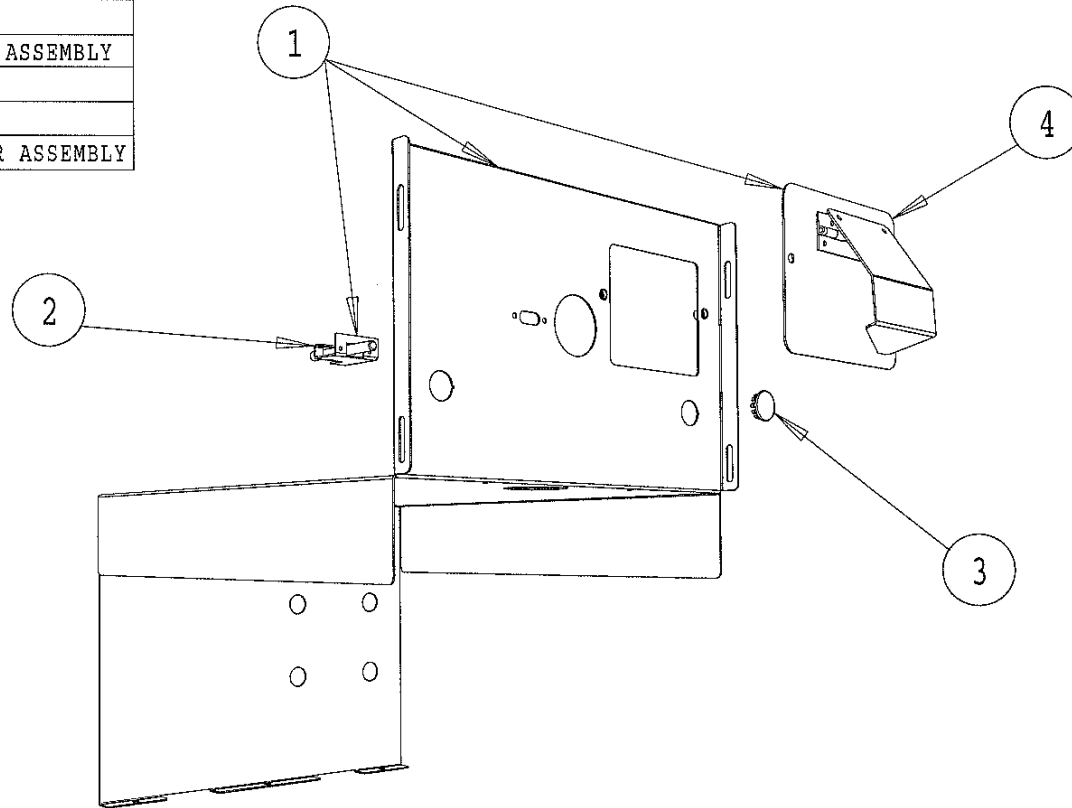
Falcon Foodservice Equipment, Wallace View Hillfoots Road Stirling Scotland

IF IN DOUBT ASK!!

DO NOT SCALE !!
First Angle Projection



G2840/1/2 SINGLE PAN FRYER - OIL CONTAINER COVER		
PART No.	SPARES No.	DESCRIPTION
1	535770022	OIL CONTAINER COVER ASSEMBLY
2	535770023	DRAIN HANDLE LOCK
3	535770024	OIL COVER HOLE PLUG
4	535770025	IGNITER ACCESS COVER ASSEMBLY



All Dimensions in millimetres, Tolerance- Linear $\pm 0.5\text{mm}$ Angular $\pm 0.5^\circ$ (or as stated)

B	SPARES ISSUED - ISSUE B	S. BROWN	07/12/05
A	977/14 PRODUCTION ISSUE	G. SMITH	17/02/04
G	Issue Mod No. Alteration	Zone	Drawn by Date



Drawn	G. SMITH	Product	G2840/1/2 SINGLE PAN FRYER	
Date	17/02/04	Title	SPARES - OIL CONTAINER COVER	
Scale	N.T.S.	Mail	Drawing Number	Issue
No. off	Finish	Bin No.	Kraus No. T111388	AD42325 B

No reproduction or publication of this drawing may be made and no article may be manufactured or assembled in accordance with this drawing without prior written consent. This prohibition is a condition of any contract relating to this drawing. Rights reserved under the Copyright Act 1955 as amended by the Copyright Act 1968.

This part is common to the following units

CONTROLLED

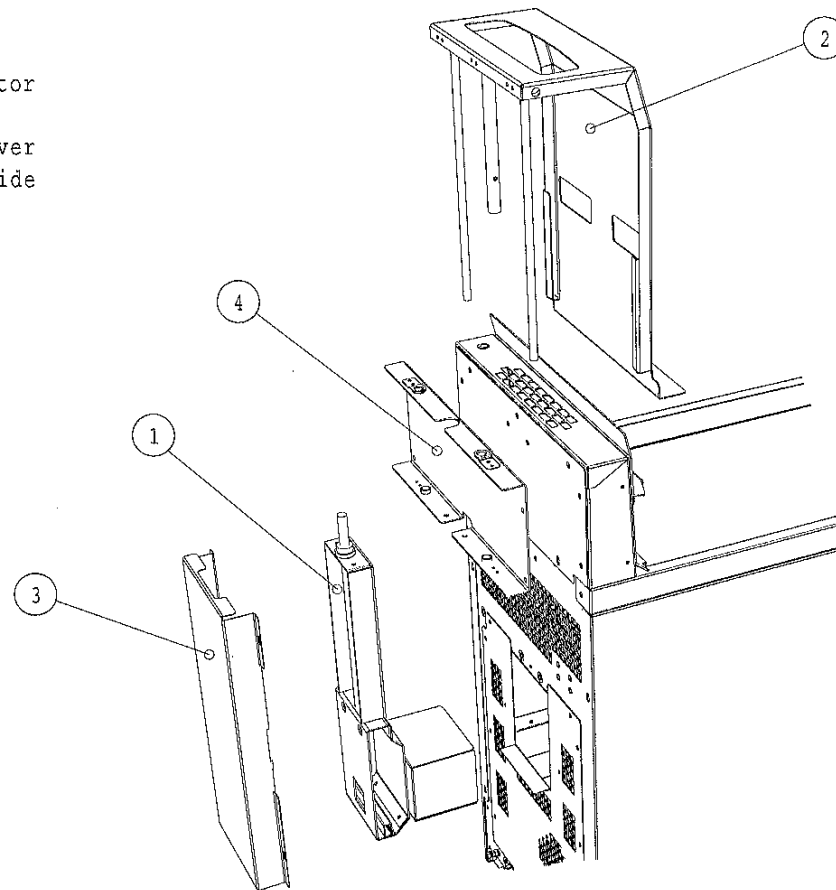
Falcon Foodservice Equipment. Wallace View Hillfoots Road Stirling Scotland

IF IN DOUBT ASK!!

DO NOT SCALE !!
First Angle Projection

G2841/2 SINGLE PAN FRYER - BASKET LIFT

Part No.	Spares No.	Description
1	535780008	Basket Lift Motor
2	535780009	Basket Lift
3	535780011	Basket Lift Cover
4	535780013	Basket Lift Guide



All Dimensions in millimetres, Tolerance- Linear $\pm 0.5\text{mm}$ Angular $\pm 0.5^\circ$ (or as stated)

B	5370	REDESIGNED BASKET LIFT REPLACES OLD	DJT	13/05/05	
A	977/14	PRODUCTION ISSUE	G. SMITH	18/02/04	
Issue	Mod No.	Alteration	Zone	Drawn by	Date



Drawn	G. SMITH	Product	G2841/2 SINGLE PAN FRYER	
Date	18/02/04	Title	SPARES - BASKET LIFT	
Scale	N. T. S.	Drawing Number	AD42332	Issue
Bin No.		Kraus No.	T111395	B

No reproduction or publication of this drawing may be made and no article may be manufactured or assembled in accordance with this drawing without prior written consent. The copyright in this drawing is reserved by the copyright owner. All rights reserved. The Copyright Act 1988 as amended by the Design Copyright Act 2001.

This part is common to the following units

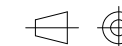
UNCONTROLLED

Falcon Foodservice Equipment. Wallace View Hillfoots Road Stirling Scotland

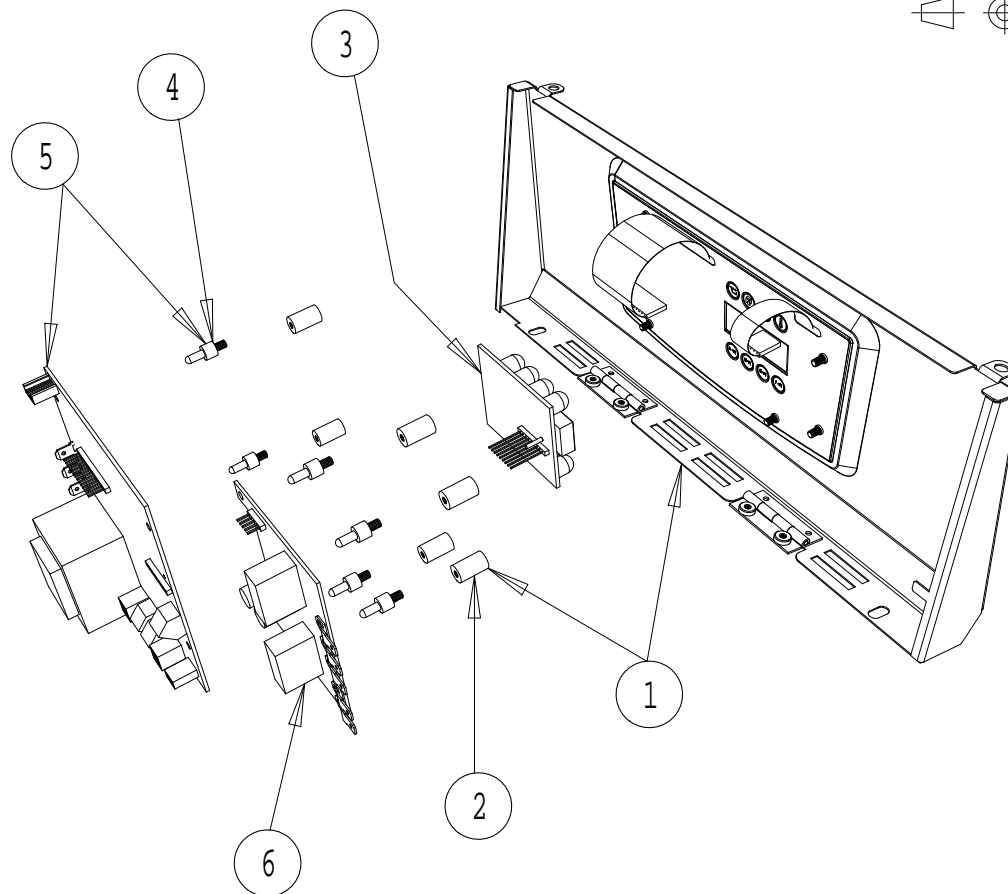
IF IN DOUBT ASK!!

DO NOT SCALE !!

First Angle Projection



G2842 SINGLE PAN FRYER - CONTROL PANEL		
PART No.	SPARES No.	DESCRIPTION
1	535790000	CONTROL PANEL ASSEMBLY
2	535770054	CIRCULAR SPACER (1 Off)
3	535790001	DISPLAY BOARD FFM
4	535770064	STAND OFF (1 Off)
5	535780004	CONTROL BOARD PCB
6	535780003	INTERFACE BOARD



All Dimensions in millimetres, Tolerance- Linear $\pm 0.5\text{mm}$ Angular $\pm 0.5^\circ$ (or as stated)

B		SPARES ISSUED - ISSUE B		S. BROWN	07/12/05
A	977/14	PRODUCTION ISSUE		G. SMITH	16/02/04
G	Issue	Mod No.	Alteration	Zone	Drawn by
					Date



Drawn	G. SMITH	Product	G2842 SINGLE PAN FRYER	
Date	16/02/04	Title	SPARES - CONTROL PANEL	
Scale	N.T.S.			
Matl.	_____	Drawing Number		Issue
No. off	_____	Finish		
Bin No.	_____	Kraus No.	T111387	
			AD42322	B

No reproduction or publication of this drawing may be made and no article may be manufactured or assembled in accordance with this drawing without prior written consent. This prohibition is a condition of any contract relating to this drawing. Rights reserved under the Copyright Act 1956 as amended by the Design Copyright Act 1988.

This part is common to the following units

UNCONTROLLED

Falcon Foodservice Equipment. Wallace View Hillfoots Road Stirling Scotland