

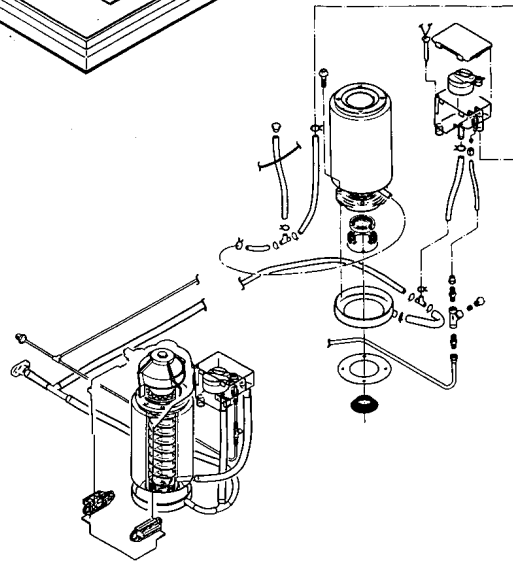
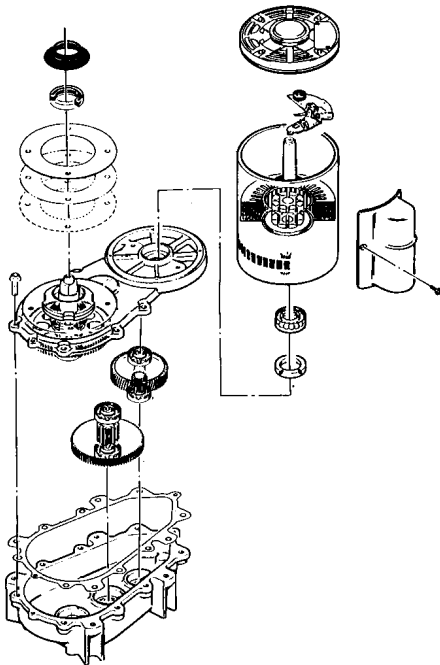
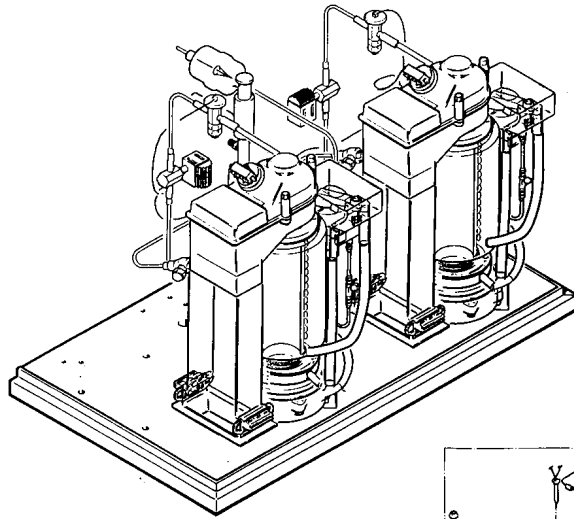
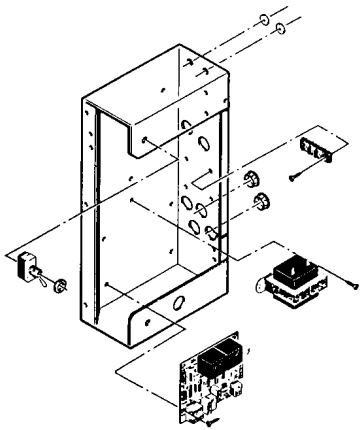
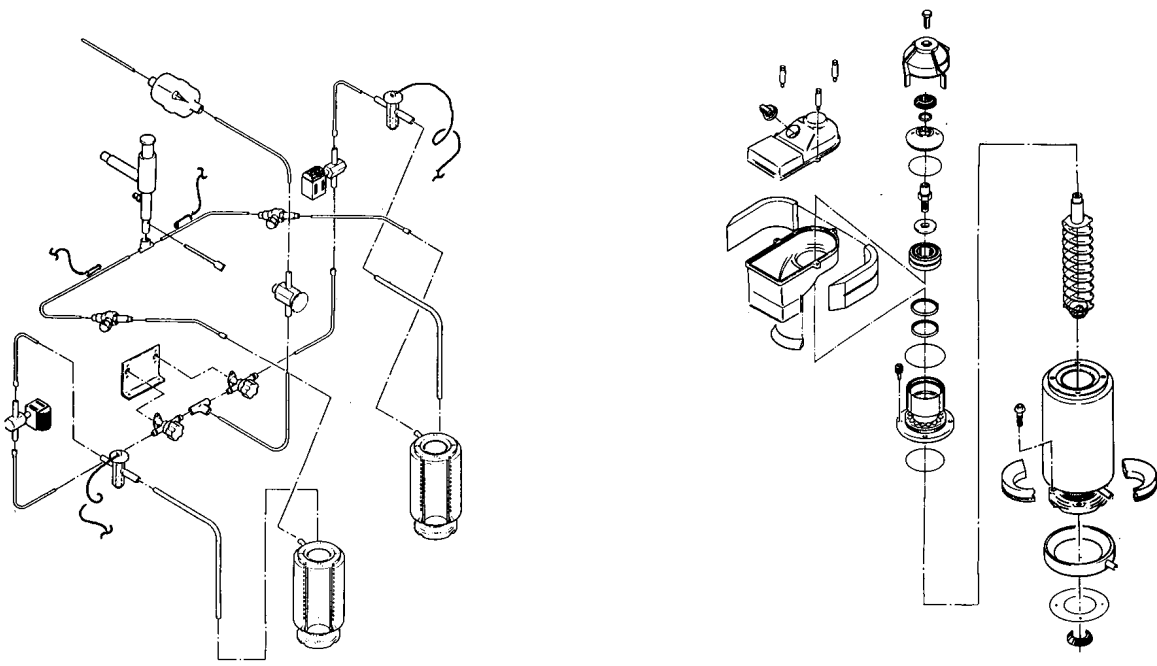
FM2400RH SERVICE PARTS

This partslist contains the service parts and wiring diagrams for this model. Check the model number of the machine requiring the parts to be sure that this is the correct parts list.

TABLE OF CONTENTS

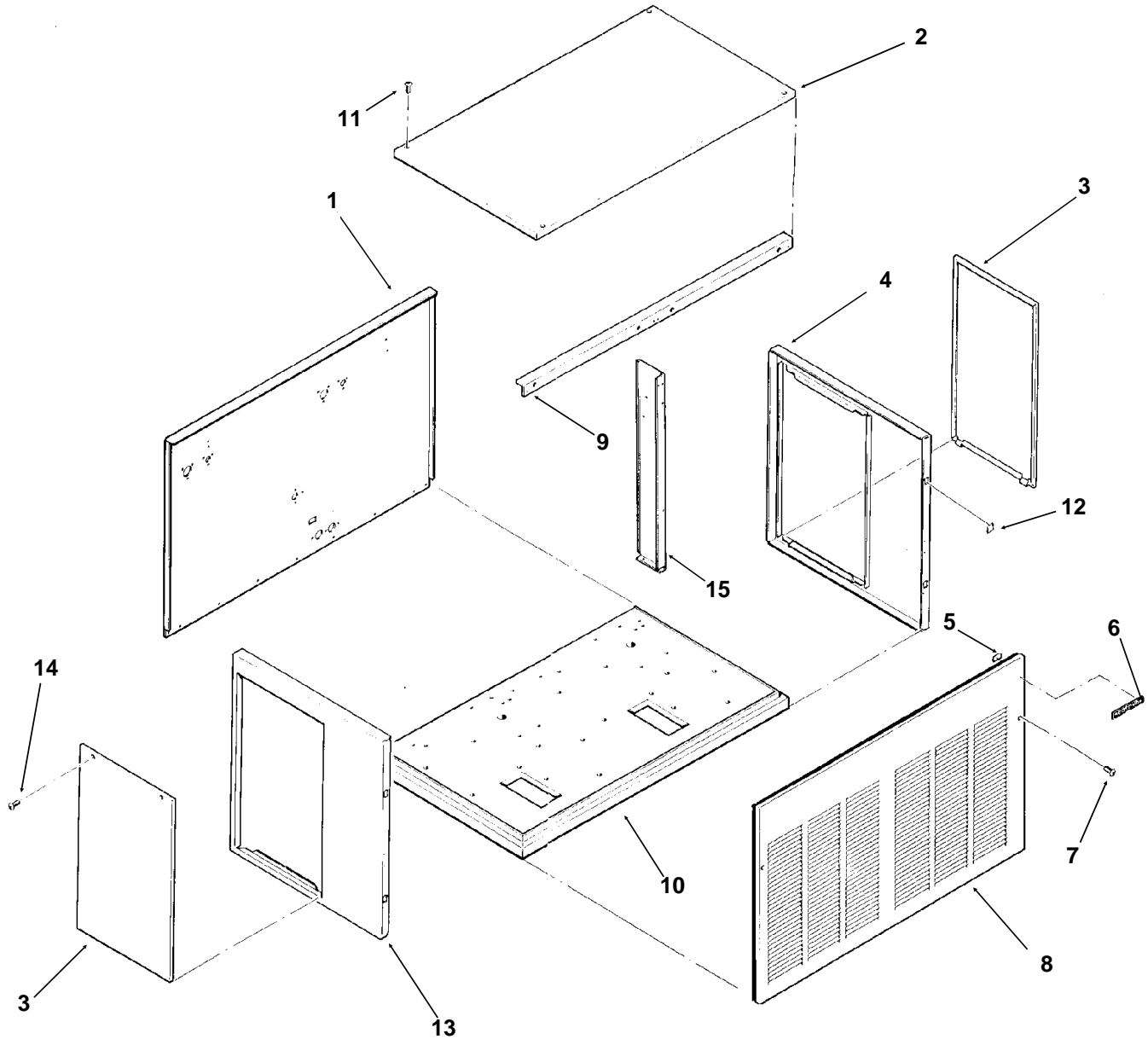
| | |
|---------------------------|--------|
| Cabinet Assembly | Page 2 |
| Water System..... | Page 3 |
| Refrigeration System..... | Page 4 |
| Evaporator | Page 5 |
| Gearmotor..... | Page 6 |
| Control Box..... | Page 7 |
| Wiring Diagrams | Page 8 |

FM2400RH SERVICE PARTS



FM2400RH SERVICE PARTS

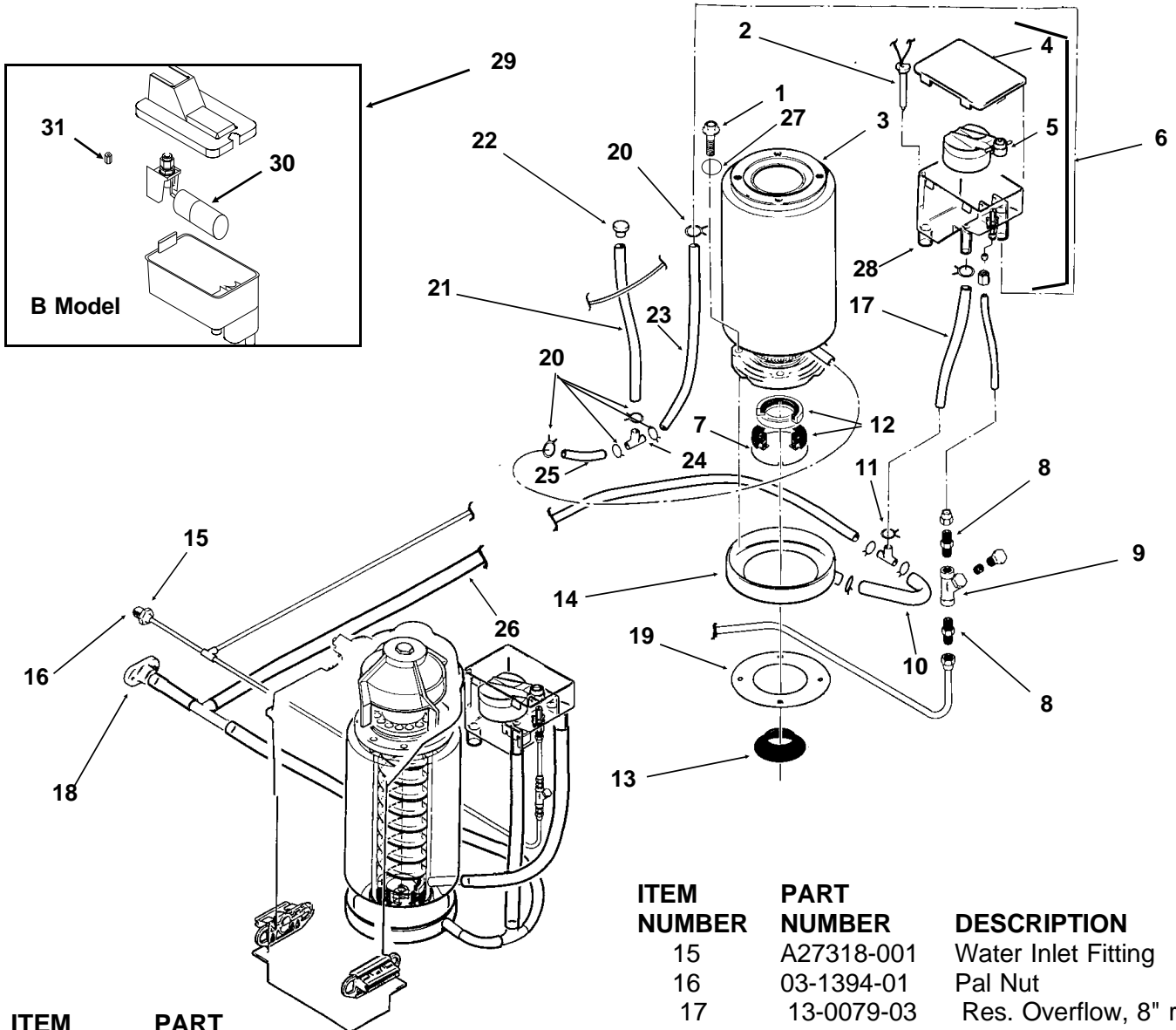
Cabinet



| ITEM NUMBER | PART NUMBER | DESCRIPTION | ITEM NUMBER | PART NUMBER | DESCRIPTION |
|-------------|-------------|---------------------------|-------------|-------------|--------------------------|
| 1 | A34283-001 | Back Panel, Painted | 9 | A34287-001 | Support |
| 2 | A32461-001 | Top Panel, Painted | 10 | A34282-001 | Base |
| | A32461-002 | Top Panel, S.S. | 11 | 03-1531-01 | Screw |
| 3 | A34038-001 | Service Panel, Painted | 12 | 02-0836-00 | Catch |
| | A34038-002 | Service Panel, S.S. | 13 | A32435-001 | Left Side Panel, Painted |
| 4 | A33292-001 | Right Side Panel, Painted | | A32435-002 | Left Side Panel, S.S. |
| | A33292-002 | Right Side Panel, S.S. | 14 | 03-1404-12 | Screw |
| 5 | 03-0271-00 | Speed Clip | 15. | A34286-001 | Center Support |
| 6 | 15-0711-01 | Emblem | | | |
| 7 | 03-1419-08 | Screw | | | |
| 8 | A34294-001 | Front Panel, Painted | | | |
| | A34294-002 | Front Panel, S.S. | | | |

FM2400RH SERVICE PARTS

Water System



| ITEM NUMBER | PART NUMBER | DESCRIPTION |
|-------------|-------------|--|
| 1 | 03-1420-03 | Cap Screw |
| 2 | A33101-022 | Water Level Sensor |
| 3 | A32890-020 | Evaporator |
| 4 | 02-2936-01 | Res. Cover |
| 5 | A32922-020 | Float Assembly with pin, housing seal, rubber seal, insert & float |
| 6 | A32929-020 | Reservoir Assembly |
| 7 | A32777-021 | Retaining Ring for Seal |
| 8 | 16-0791-01 | Half Union |
| 9 | 16-0162-00 | Strainer |
| 10 | 13-0079-03 | Tube, 6.5" req. |
| 11 | 16-0670-02 | Tee |
| 12 | 02-0929-02 | Water Seal |
| 13 | 13-0868-01 | Water Shed |
| 14 | A32050-001 | Drip Pan |

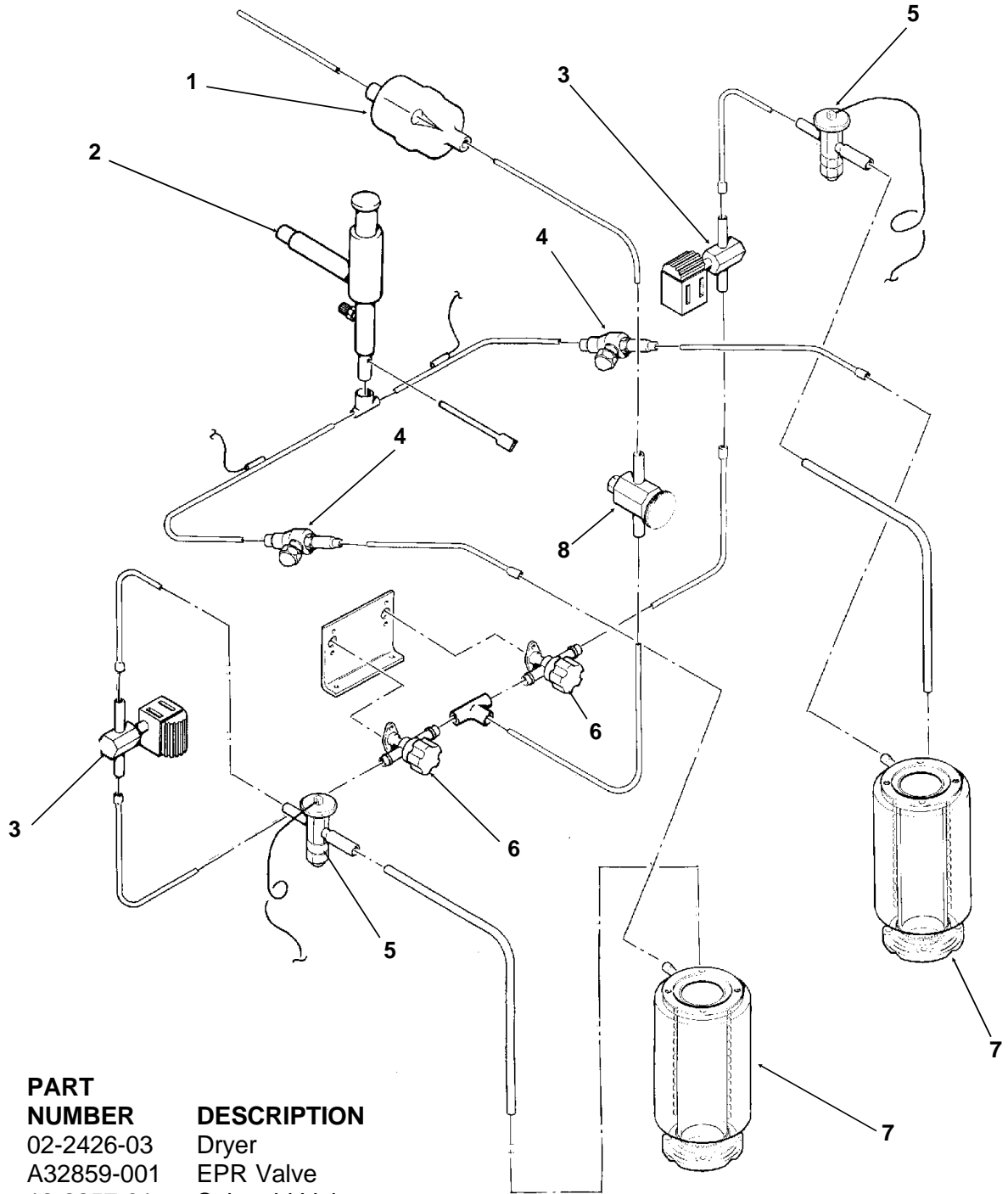
| ITEM NUMBER | PART NUMBER | DESCRIPTION |
|-------------|-------------|---------------------------|
| 15 | A27318-001 | Water Inlet Fitting |
| 16 | 03-1394-01 | Pal Nut |
| 17 | 13-0079-03 | Res. Overflow, 8" req. |
| 18 | A32282-004 | Drain Casting |
| 19 | 13-0704-00 | Gasket |
| 20 | 02-2814-08 | Clamps |
| 21 | 13-0674-06 | Evap. Drain, 14" req. |
| 22 | A33205-001 | Plug |
| 23 | 13-0674-06 | Evap. Inlet Tube, 5" req. |
| 24 | 16-0670-01 | Tee |
| 25 | A33203-001 | Tube, Preformed |
| 26 | 13-0079-03 | Drain Tube, 24" req. |
| 27 | 03-1417-13 | Lockwasher |
| 28 | 13-0230-00 | Rubber cap |
| | 02-2814-01 | Clamp |

B model reservoir:

| | | |
|----|------------|-------------------|
| 29 | 02-3266-20 | Reservoir & valve |
| 30 | 02-3266-21 | Float valve |
| 31 | 02-3266-22 | Plunger/seat |

FM2400RH SERVICE PARTS

Refrigeration System

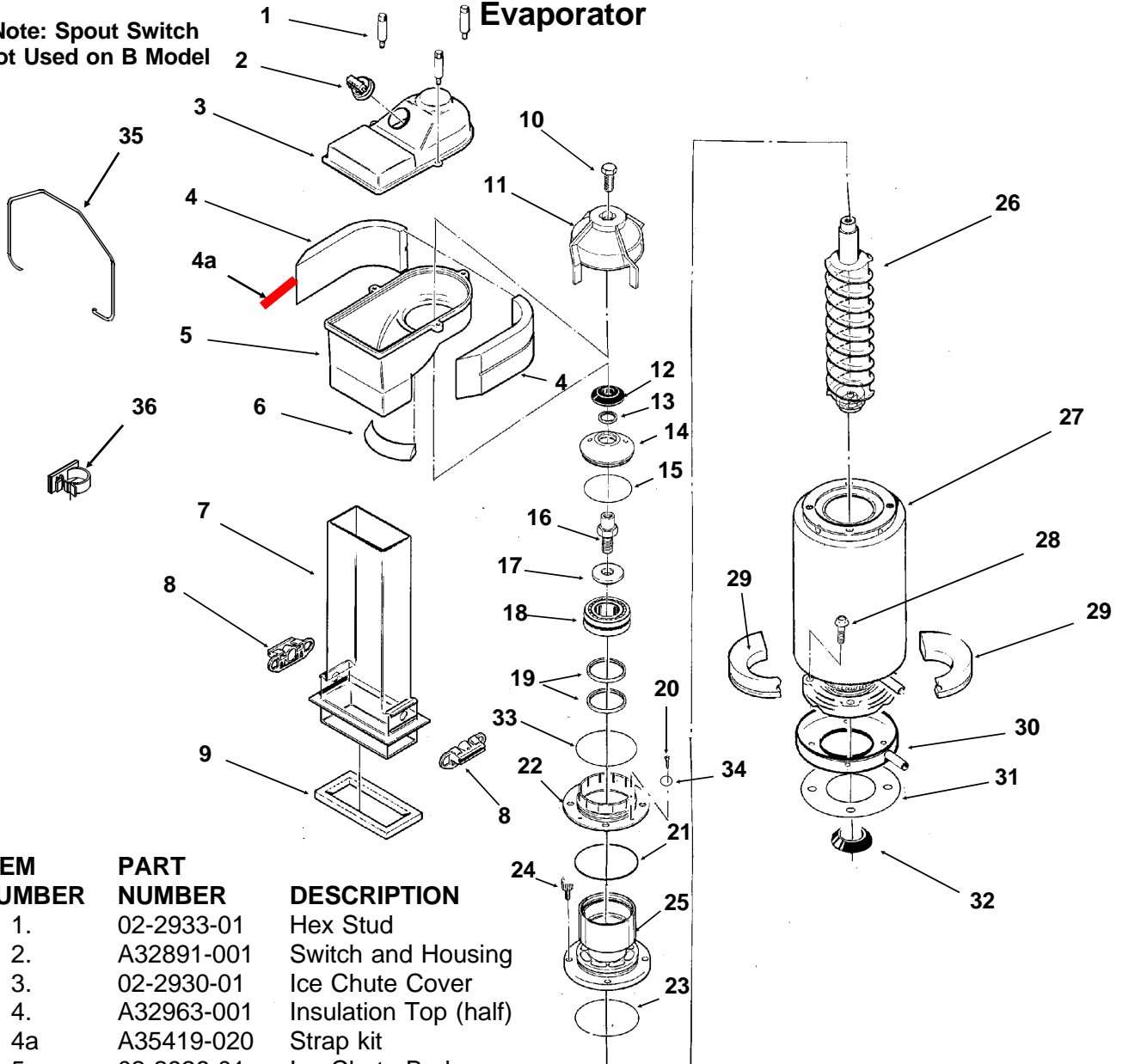


| ITEM NUMBER | PART NUMBER | DESCRIPTION |
|-------------|-------------|------------------------------|
| 1 | 02-2426-03 | Dryer |
| 2 | A32859-001 | EPR Valve |
| 3 | 12-2257-01 | Solenoid Valve |
| 4 | A32855-001 | Ball Valve |
| 5 | 16-0780-01 | Thermostatic Expansion Valve |
| 6 | A32858-001 | Shut Off Valve |
| 7 | A32890-020 | Evaporator |
| 8 | 16-0672-02 | Sight Glass |

FM2400RH SERVICE PARTS

Note: Spout Switch
Not Used on B Model

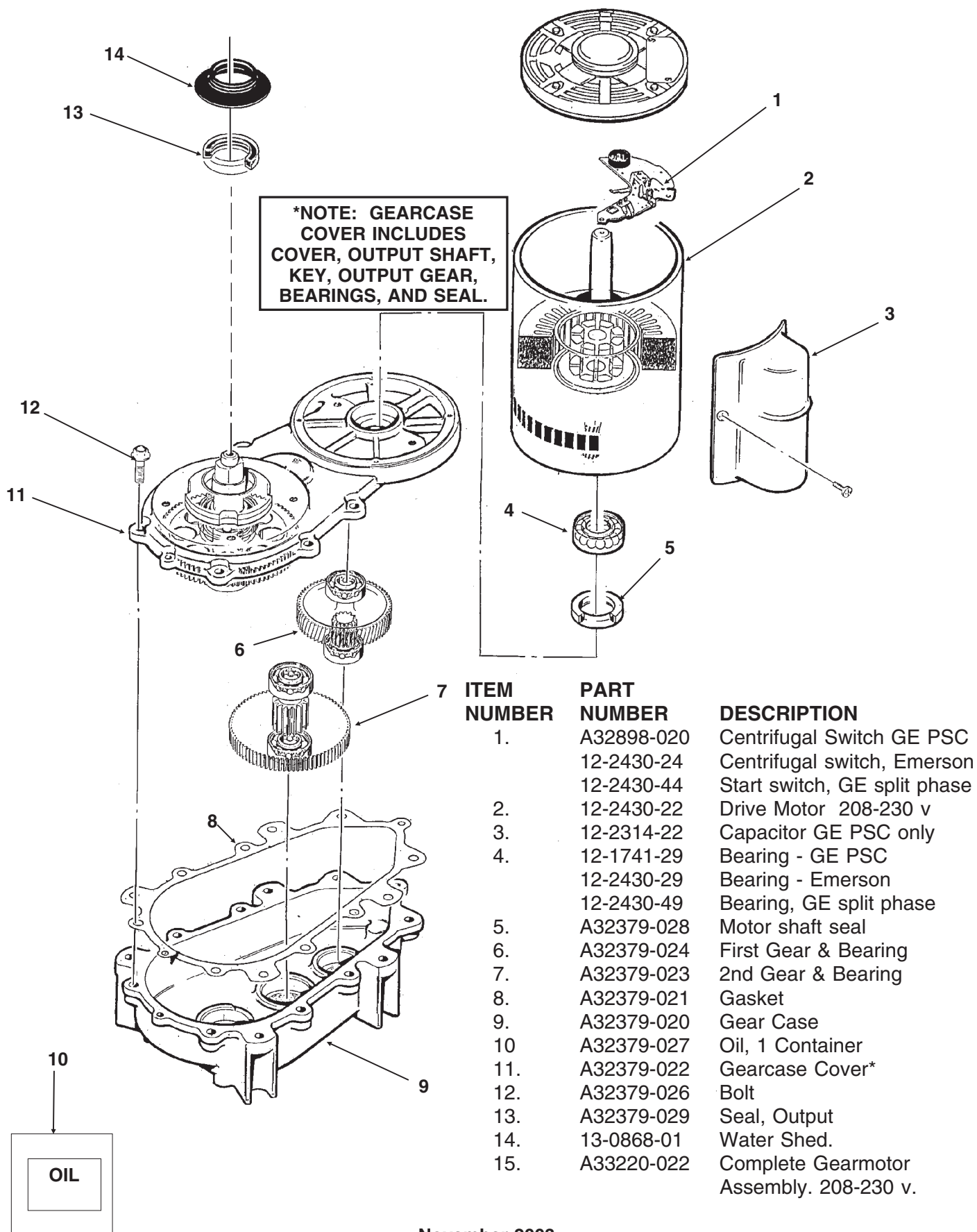
Evaporator



| ITEM NUMBER | PART NUMBER | DESCRIPTION |
|-------------|------------------|--|
| 1. | 02-2933-01 | Hex Stud |
| 2. | A32891-001 | Switch and Housing |
| 3. | 02-2930-01 | Ice Chute Cover |
| 4. | A32963-001 | Insulation Top (half) |
| 4a. | A35419-020 | Strap kit |
| 5. | 02-2926-01 | Ice Chute Body |
| 6. | A33102-001 | Insulation Collar Inside |
| | A33210-001 | Rubber Band |
| 7. | 02-2929-01 | Ice Chute Lower |
| 8. | A33117-020 | Bin Controls Assy. (set of 2) |
| 9. | A32930-001 | Chute Gasket |
| 10. | 03-1405-52 | Hex Cap Screw |
| 11. | 02-3001-01 | Ice Sweep |
| 12. | 13-0871-01 | Water Shed |
| 13. | 02-2978-01 | Lip Seal |
| 14. | 02-3128-01 | Breaker Cover |
| 15. | 13-0617-54 | O-Ring |
| 16. | 08-0660-01 | Auger Stud |
| 17. | part of item 16: | thrust Washer |
| 18. | A34559-020 | Bearing |
| 19. | 02-2977-01 | Lip Seal |
| 20. | 03-1405-27 | Screw |
| | 21. | 13-0617-52 O-Ring |
| | 22. | 02-2916-01 Slotted Collar |
| | 23. | 13-0617-45 O-Ring |
| | 24. | 03-1544-08 Soc. Head Screw |
| | 25. | A34505-020 Breaker (Divider) (includes 18 & 19) |
| | 26. | 02-3003-01 Auger |
| | 27. | A32890-020 Evaporator |
| | 28. | 03-1420-03 Cap Screw |
| | 29. | A32962-001 Insulation Bot. (half) |
| | 30. | A32050-001 Drip Pan |
| | 31. | 13-0704-00 Drip Pan Gasket |
| | 32. | 13-0868-01 Water Shed |
| | 33. | 13-0617-49 O-Ring |
| | 34. | 03-1408-36 Washer |
| | 35. | A34969-001 Bail clip |
| | 36. | 02-3268-01 Drain tube holder |

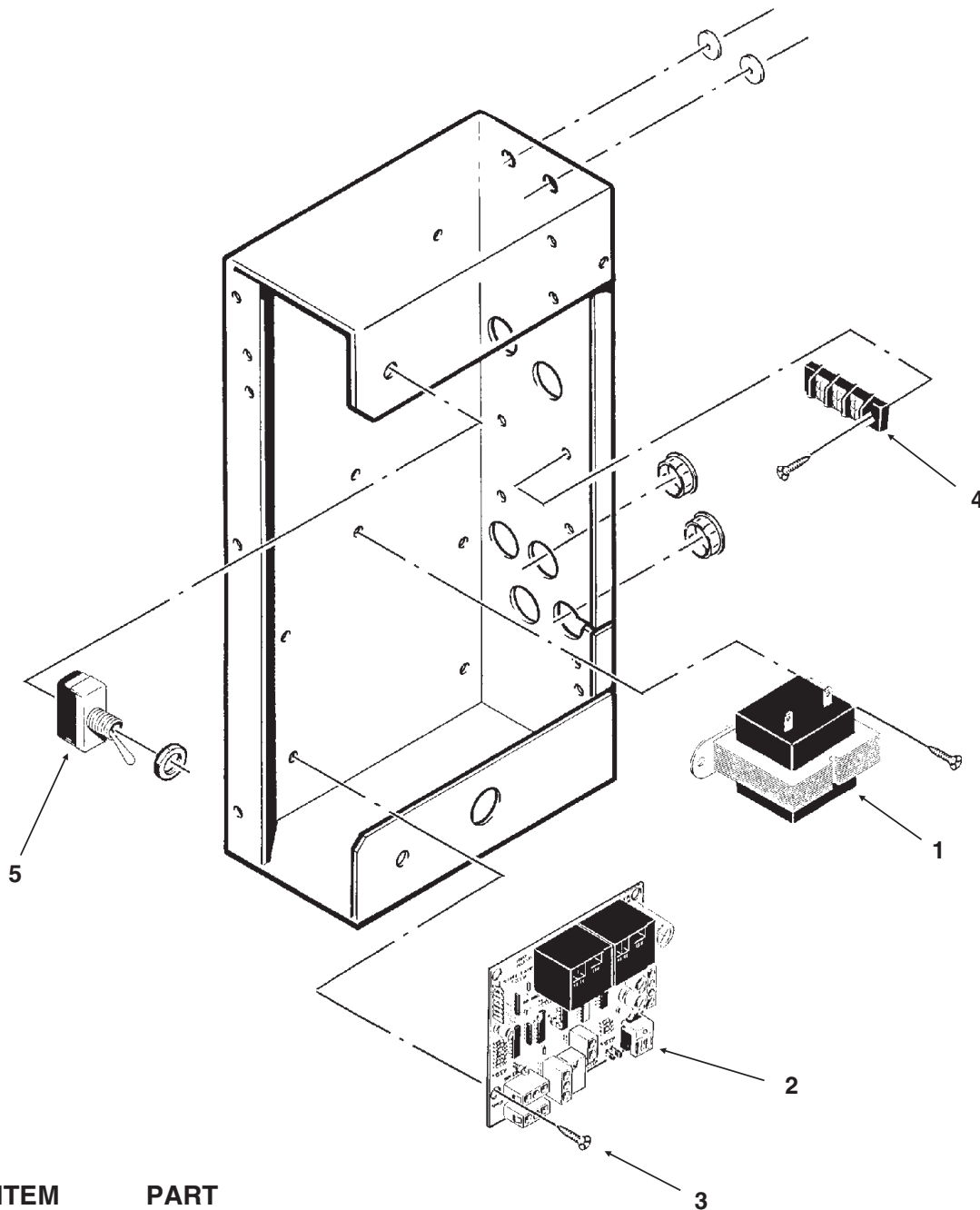
FM2400RH SERVICE PARTS

Gearmotor



FM2400RH SERVICE PARTS

Control Box



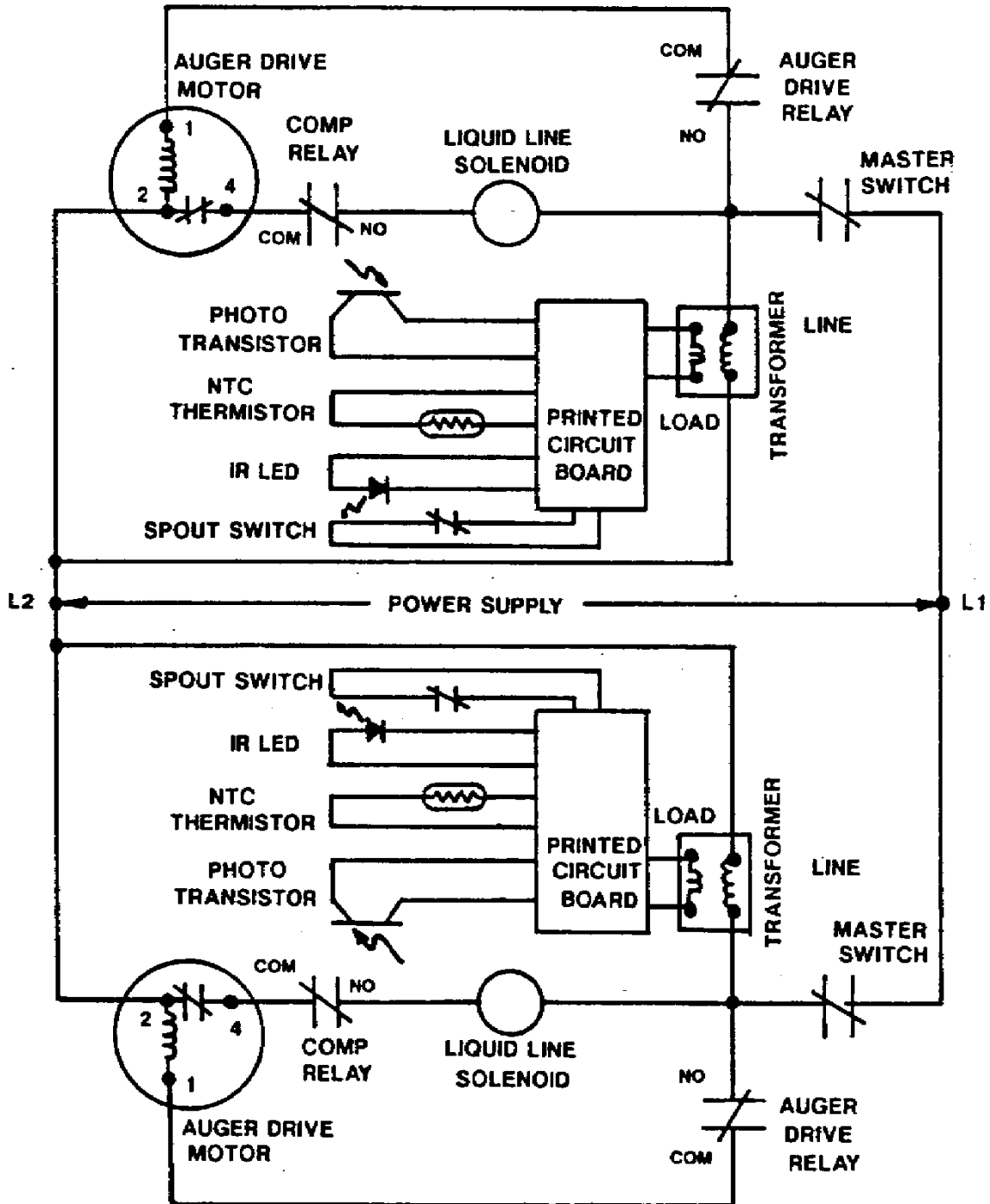
| ITEM NUMBER | PART NUMBER | DESCRIPTION |
|-------------|-------------|----------------|
| 1 | 12-2285-22 | Transformer |
| 2 | A37750-021 | Circuit Board |
| 3 | 12-2350-01 | Stand off |
| 4 | 12-0813-04 | Terminal Strip |
| 5 | 12-0426-01 | Master Switch |

Not Illustrated:

| | | |
|---|------------|------------------------------|
| 6 | 12-2337-03 | Wire Harness to spout switch |
| 7 | 12-2340-01 | Wire harness to transformer |
| 8 | A34055-001 | Control Box Cover |

FM2400RH SERVICE PARTS

A Model Schematic Diagram



USE COPPER CONDUCTORS ONLY

NOTE: DASHED LINES INDICATE FIELD WIRING WHICH MUST BE INSTALLED
IN ACCORDANCE WITH THE NATIONAL ELECTRICAL CODE USING A
MINIMUM OF 14 GA. AWG WIRE

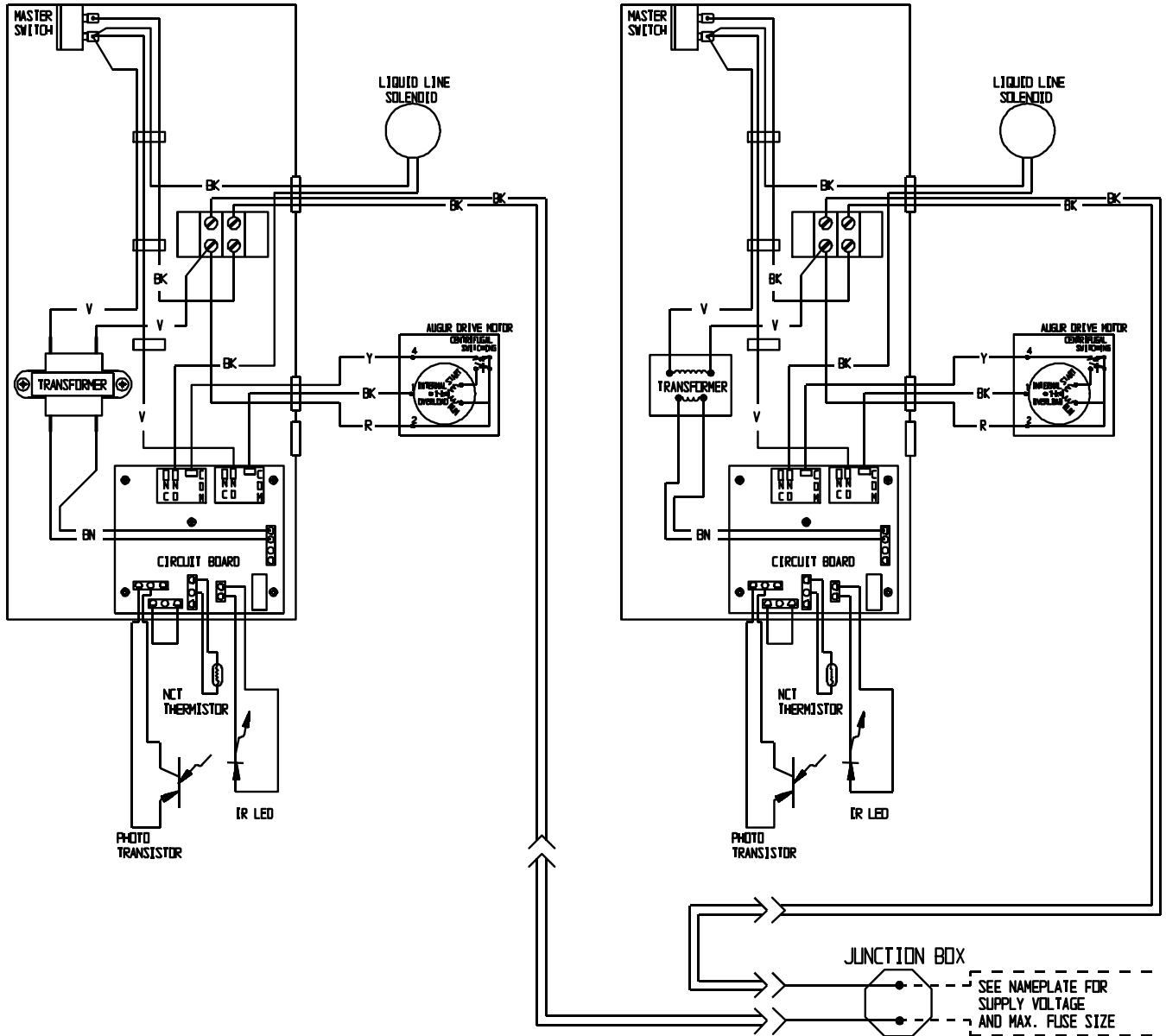
ALL CONTROLS SHOWN IN NORMAL ICE MAKING MODE

THIS UNIT MUST BE GROUNDED

FM2400RH SERVICE PARTS

FM2400RH-32B Wiring Diagram

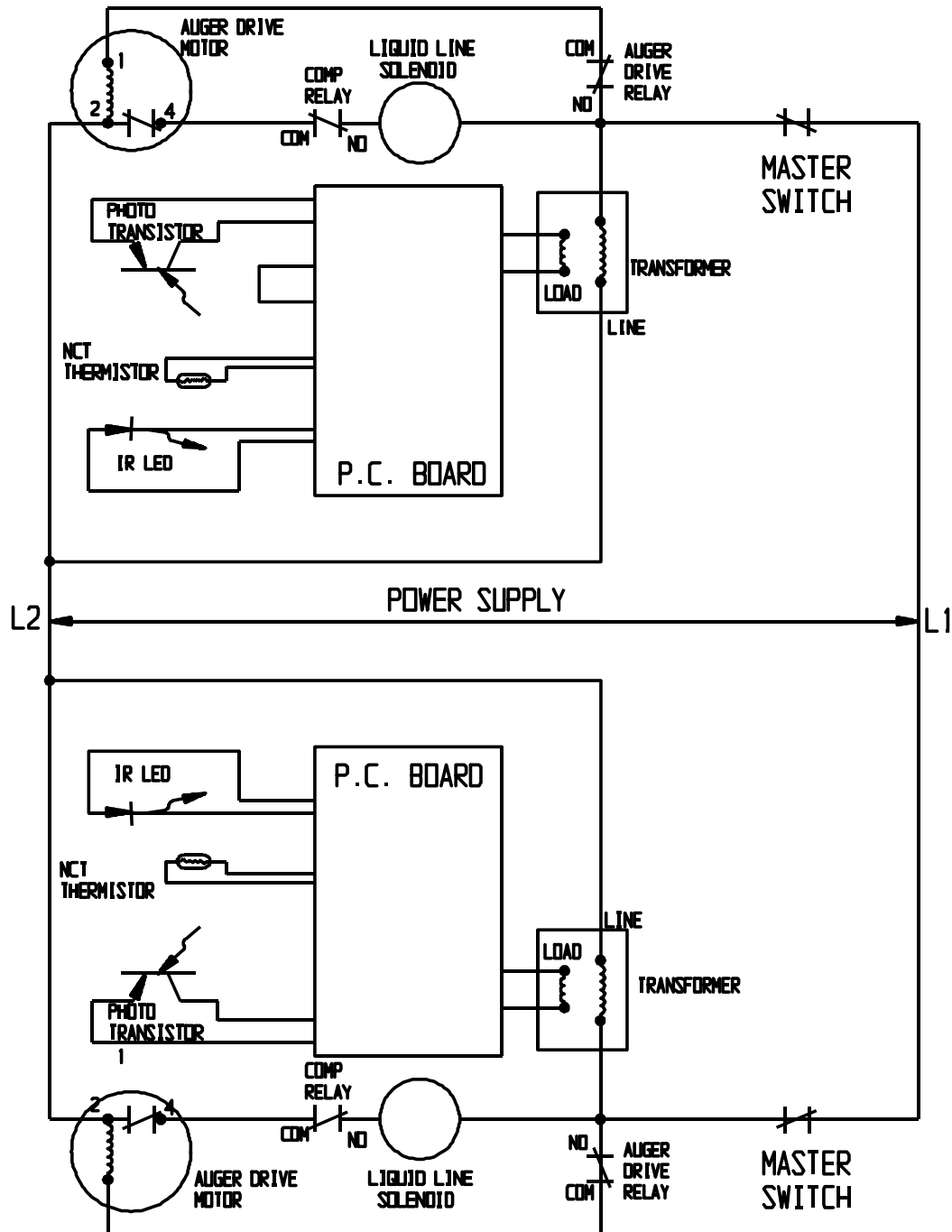
A36465-032



FM2400RH SERVICE PARTS

FM2400RH-32B Schematic Diagram

USE COPPER CONDUCTORS ONLY
 THIS UNIT MUST BE GROUNDED
 ALL CONTROLS SHOWN IN NORMAL ICE MAKING MODE



NOTE: DASHED LINES INDICATE FIELD WIRING WHICH MUST BE INSTALLED
 IN ACCORDANCE WITH THE NATIONAL ELECTRICAL CODE USING A
 MINIMUM OF 14 GAUGE AWG WIRE