

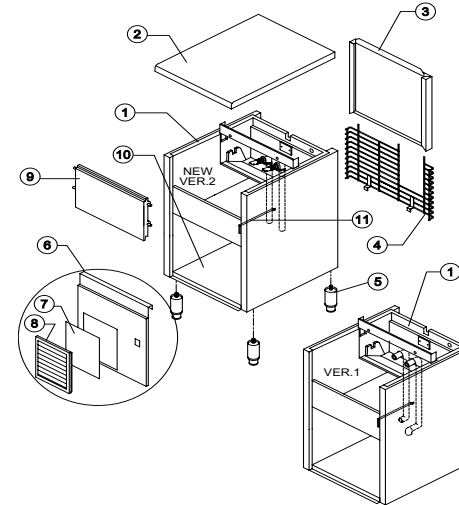


CB 425

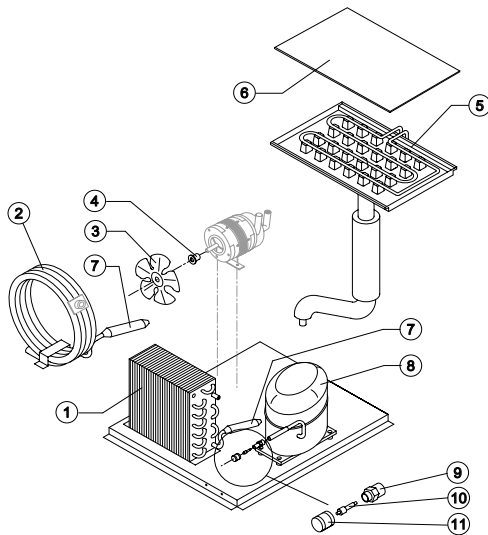
LIST OF THE EXPLODED VIEWS



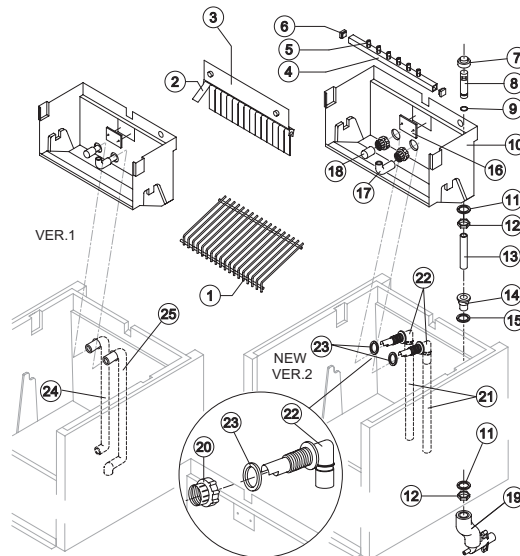
SHELL ASSY



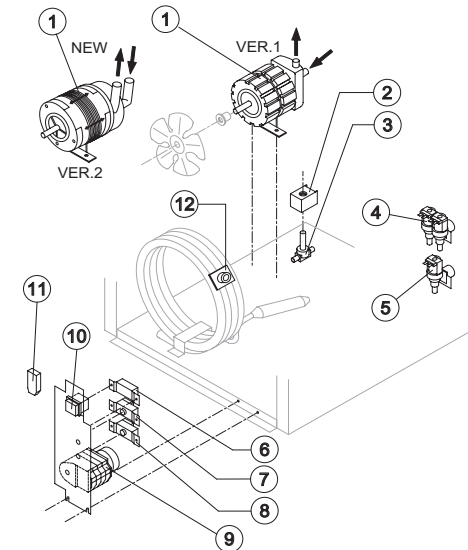
COOLING SYSTEM



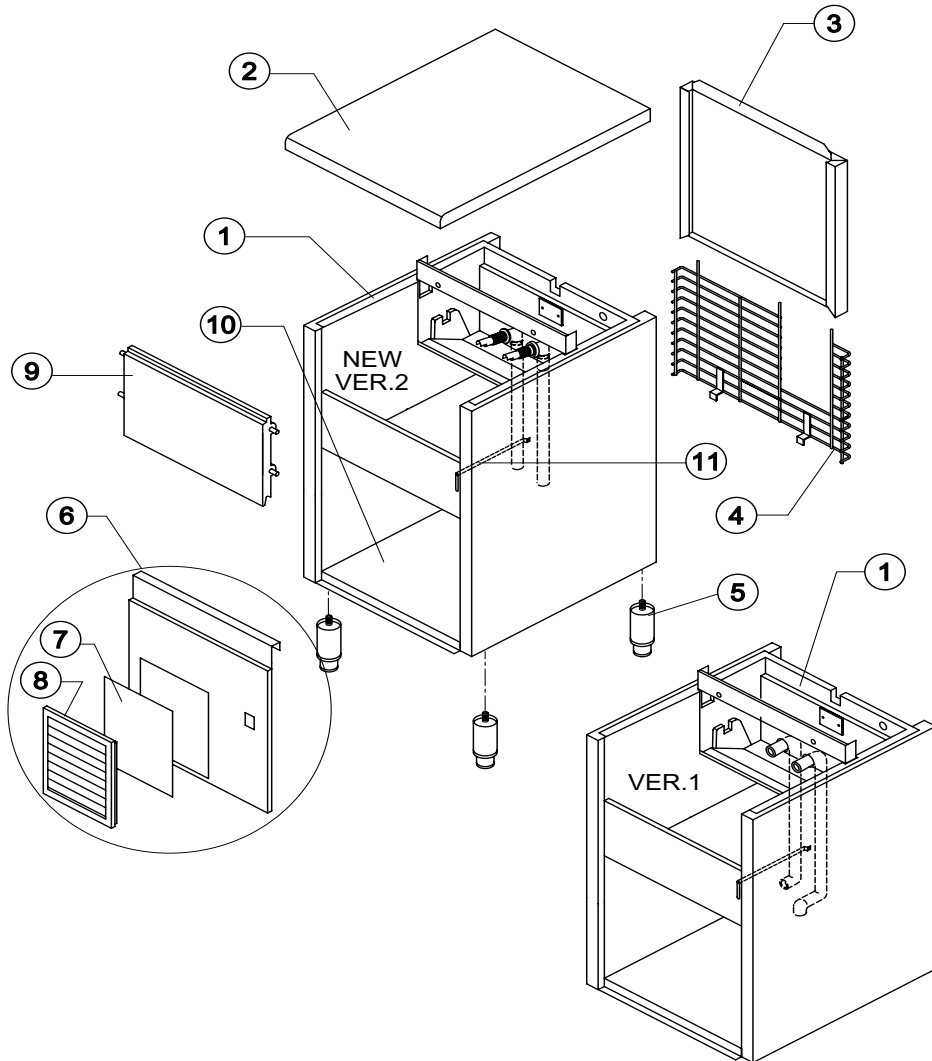
HYDRAULIC CIRCUIT



ELECTRIC PARTS



Rev. 2 - 10/2/2003



Rev. 2 - 10/2/2003

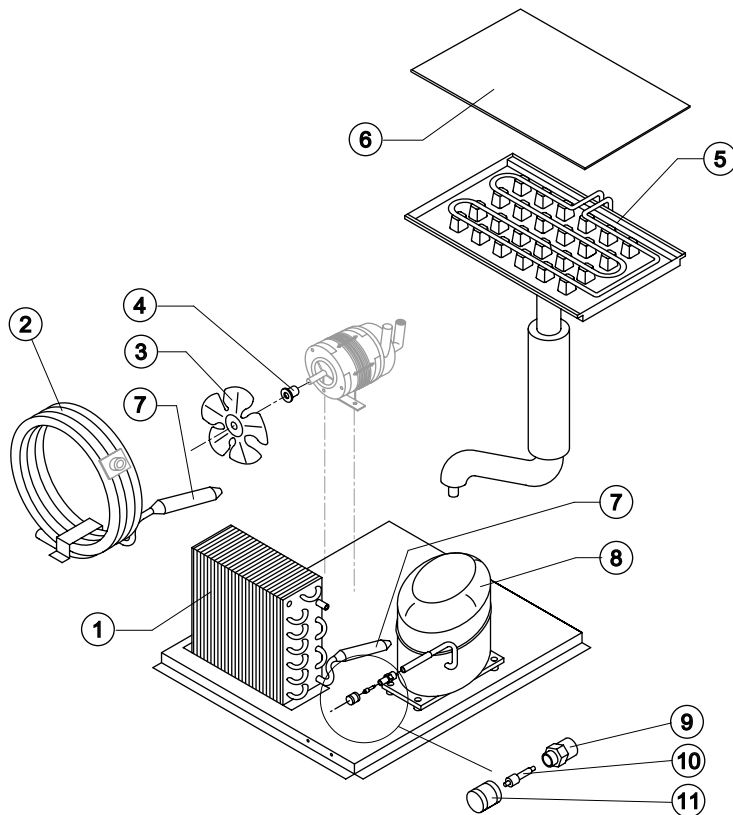
Ref.	Spare Description	Code
1	Foamed Cabinet Assy	See Table -
2	Top Assembly	C22692
3	Back Panel Assembly	C22130
4	Rear Grid	D12006
5	Stainless Steel Foot Adjustable	Current Version 20613
5	ABS Foot	Till s/n. 141256 10040
6	Front Grid Panel	Current Version C22508
6	Front Panel	Till s/n. 28691 22111
7	Filtering Panel	18106
8	Grid + Frame	C10205
9	Door Assy	C10297
10	Base Plate	Current Version 21279
10	Base Plate	Till s/n. 141256 21013
11	Bulb Thermostat Tube	Current Version 20522
11	Bulb Thermostat Tube	Till s/n. 94752 20017

**Ref. 1 - Foamed Cabinet Assy
Version 1**

Kind of Cube	Code
18 g. (Standard)	C11014/E
33 g. (Big)	C11014/E
13 g. (Small)	C11014/ED

**Ref. 1 - Foamed Cabinet Assy
Version 2**

Condensation	Code
Air	C11014A
Water	C11014W



Common Parts

Ref.	Spare Description	Code
3	Suction Impeller	10213
4	Hub with Washer with Screw	10014
5	Evaporator	See Table
6	Evaporator Cover	10023
7	Molecular Drier	14009
8	Compressor	See Table
9	Vacuum-Charge Valve Body	14007
10	Vacuum-Charge Valve Device	14005
11	Vacuum-Charge Valve Plug	14006

Parts for Air Cooled Version Only

Ref.	Spare Description	Code
1	Air Condenser	20019

Parts for Water Cooled Version Only

Ref.	Spare Description	Code	
2	Water Condenser	Current Version	14374
2	Water Condenser	Till s/n. 151057	14014

Ref. 5 - Evaporator

Kind of Cube	Code
18 g. (Standard)	D10046
33 g. (Big)	D10089
13 g. (Small)	D10417

Ref. 8 - Compressor

Tension	Refr. R404A	Refr. R22
220/240V 50 Hz	23505	23320
220/230V 60 Hz	23495	23344
110/115V 60 Hz	23464	23370

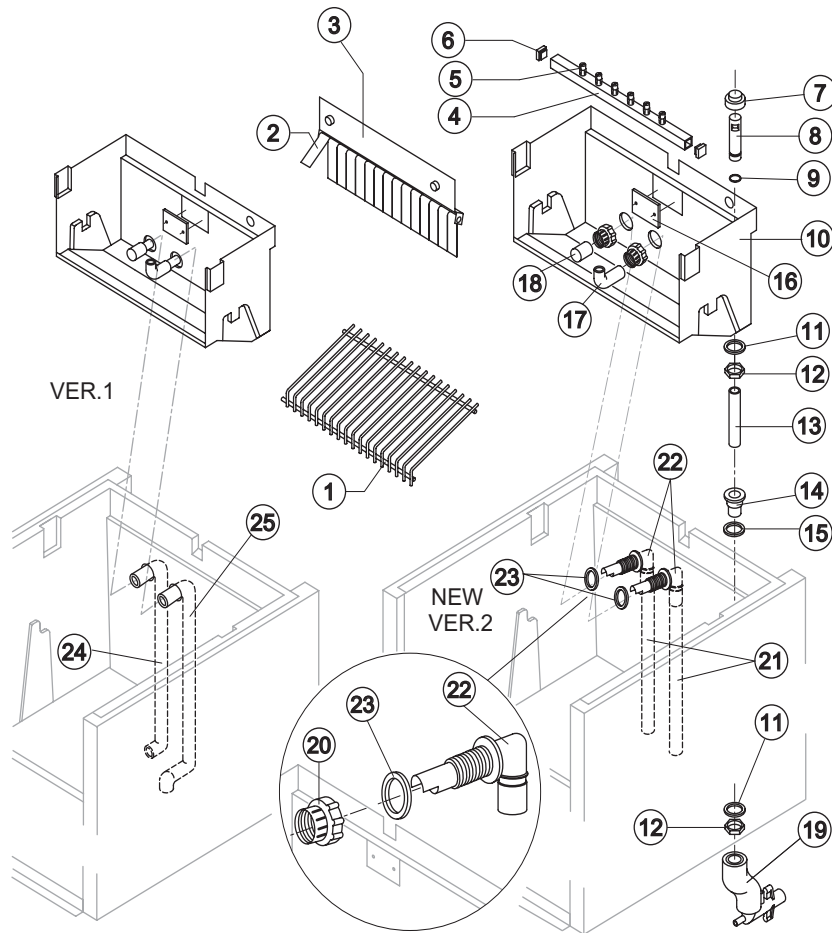


Ref. 5 - For ice makers made in version 1 (for "small size" ice cube only) ask, beside the Evaporator, also the Evaporator Support.



CB 425

HYDRAULIC CIRCUIT



Ref. 1 - Ices Cube Slides

Kind of Cube	Code
18 g. (Standard)	D12008
33 g. (Big)	D12030
13 g. (Small)	D12038

Ref. 4 - Sprayer Bar Ass.

Kind of Cube	Code
18 g. (Standard)	C20029
33 g. (Big)	C20155
13 g. (Small)	C20189

Common Parts

Ref.	Spare Description	Code
1	Ices Cube Slide	See Table
2	Flag	10005
3	Flags Support Assy	C22035
4	Sprayers Bar Assembly	See Table
5	Sprayer	D20002
6	Sprayers Bar Plug	10012
7	Overflow Cap	10305
8	Overflow Pipe	10133
9	Or Gasket for Overflow Pipe	20233
10	Inner Basin	10253
11	Semirigid Polyethylene gasket	13007
12	Bin Discharge Nut	10096
13	Overflow Pipe	Current Version
13	Overflow pipe	Till s/n. 64085
14	Plastic Nipple Water Outlet	10007
15	Silicone Gasket	13006
16	Slide Keep Plate	10009
17	Sprayers Feeding Pipe	13005
18	Pump Suction Filter	20005
20	Fittings Locking Ring	Version 2
20	Fittings Locking Ring	10405
21	Pump Suction/Delivery Pipe	Version 2
21	Pump Suction/Delivery Pipe	13139
22	Fitting of the Pump Suction/Delivery Pipes	Version 2
22	Fitting of the Pump Suction/Delivery Pipes	10404
23	Gasket for Suction Line/Pump Delivery	Version 2
23	Gasket for Suction Line/Pump Delivery	13143
24	Pump Suction Pipe	Version 1
24	Pump Suction Pipe	13021
25	Pump Delivery Pipe	Version 1
25	Pump Delivery Pipe	13019

Parts for Air Cooled Version Only

Ref.	Spare Description	Code
19	Discharges Manifold	C10006

Parts for Water Cooled Version Only

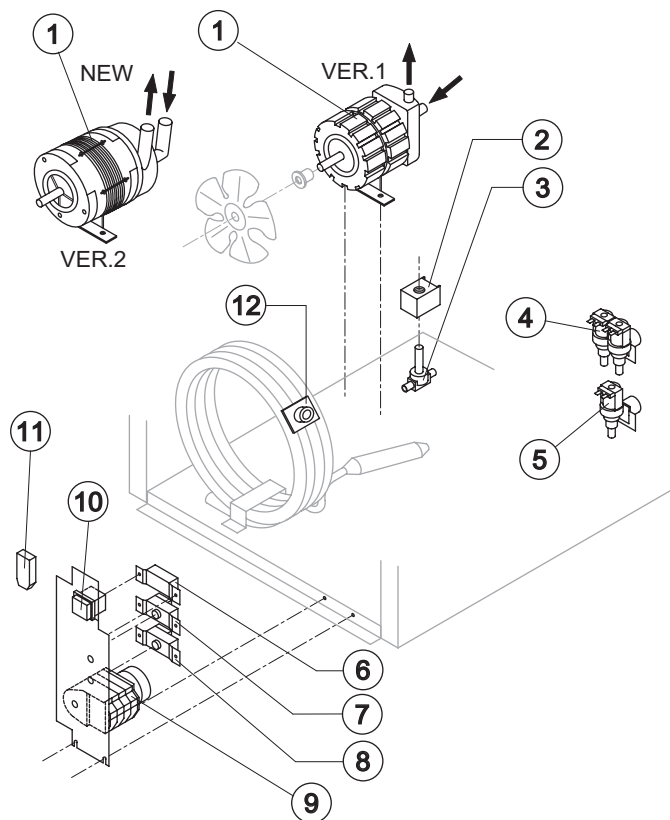
Ref.	Spare Description	Code
19	Discharges Manifold	C26452

Rev. 2 - 10/2/2003



CB 425

ELECTRIC PARTS



Common Parts

Ref.	Spare Description	Code
1	Pump	See Table
2	Hot Gas Coil	See Table
3	Hot Gas Valve Body	20410
7	Bin Thermostat	23005
8	Evaporator Thermostat	23591
9	Timer	See Table
10	Green Light Switch	23327

Parts for Air Cooled Version Only

Ref.	Spare Description	Code
5	Inlet Watervalue 1 Way	See Table

Parts for Water Cooled Version Only

Ref.	Spare Description	Code
4	Inlet Watervalue 2 Ways	See Table
6	Condenser Pressure Switch	23175
11	Anti Radio Interference Filter	Only 220V 50 Hz 23457
12	Safety Thermostat	C23114

Ref. 1 - Pump

Tension	Version 1	Version 2
220/240V 50 Hz	23002	23377
220/230V 60 Hz	23002	23377
110/115V 60 Hz	23264	23663

Ref. 2 - Hot Gas Coil

Tension	Code
220/240V 50 Hz	23091
220/230V 60 Hz	23091
110/115V 60 Hz	23256

Ref. 9 - Timer

Tension	18g Cube	33g Cube	13g Cube
220/240V 50 Hz	23222	23248	23247
220/230V 60 Hz	23248	23396	23247
110/115V 60 Hz	23259	23397	23258

Ref. 5 - Inlet Watervalue 1 Way

Tension	Code
220/240V 50 Hz	23001
220/230V 60 Hz	23001
110/115V 60 Hz	23260

Ref. 4 - Inlet Watervalue 2 Ways

Tension	Code
220/240V 50 Hz	23502
220/230V 60 Hz	23502
110/115V 60 Hz	23646