

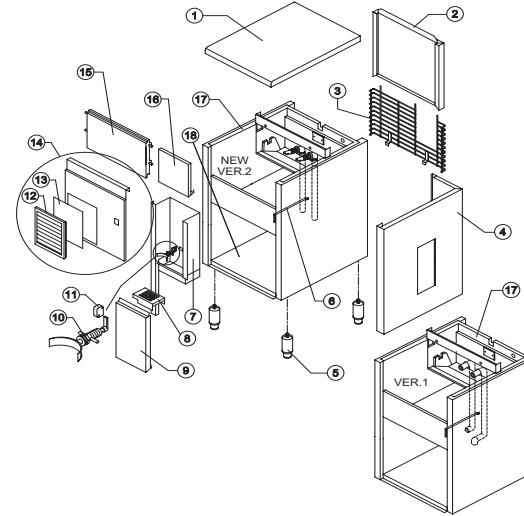


Ice Water 45

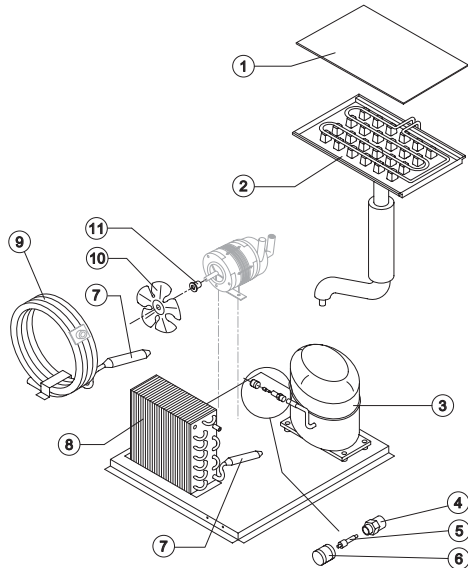
LIST OF THE EXPLODED VIEWS



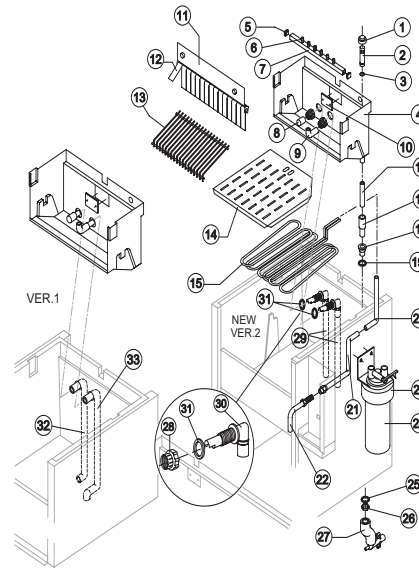
SHELL ASSY



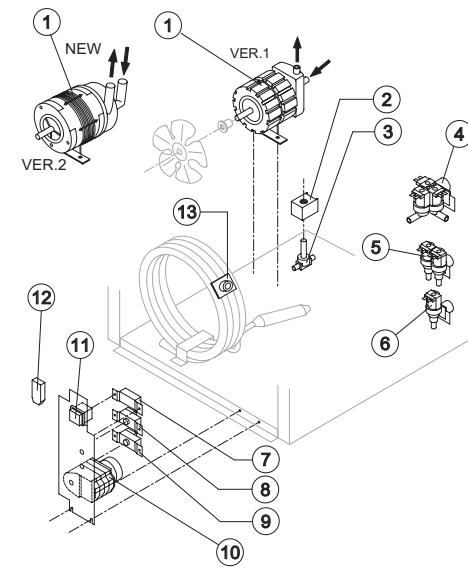
COOLING SYSTEM



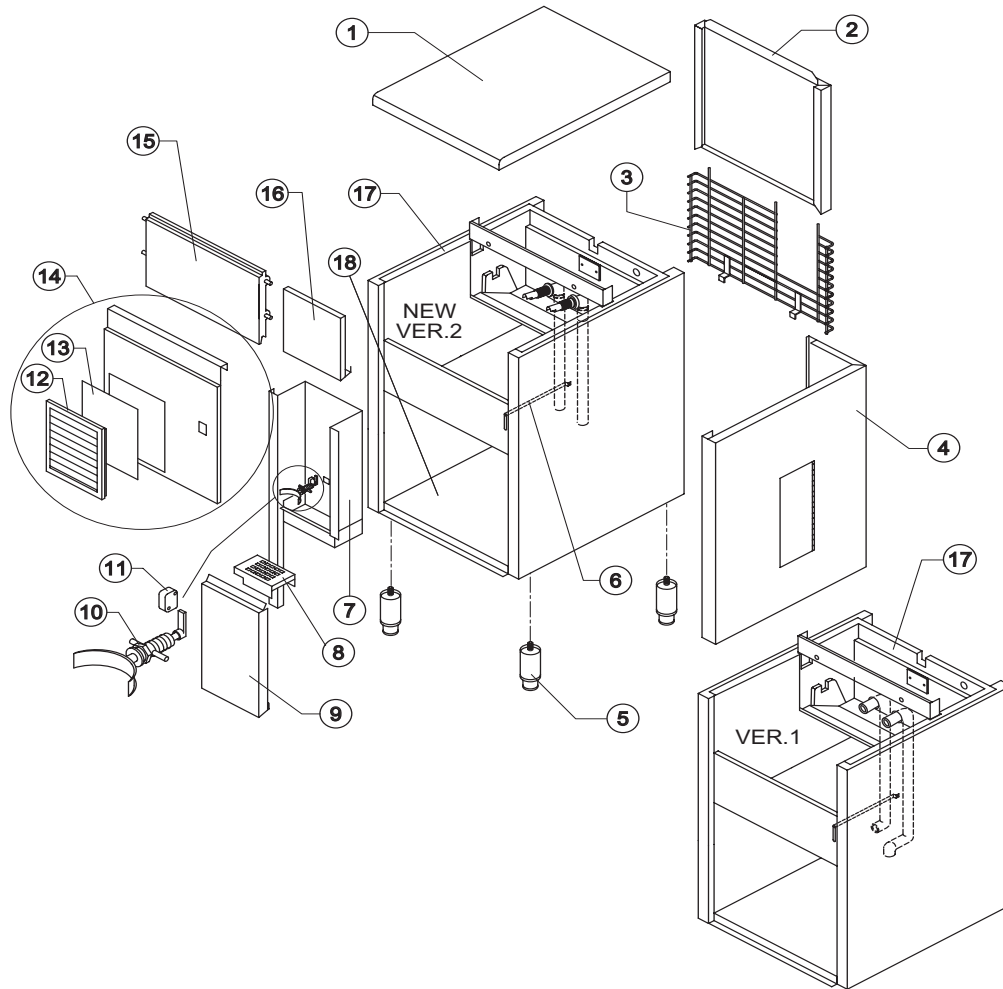
HYDRAULIC CIRCUIT



ELECTRIC PARTS



Rev. 2 - 10/2/2003

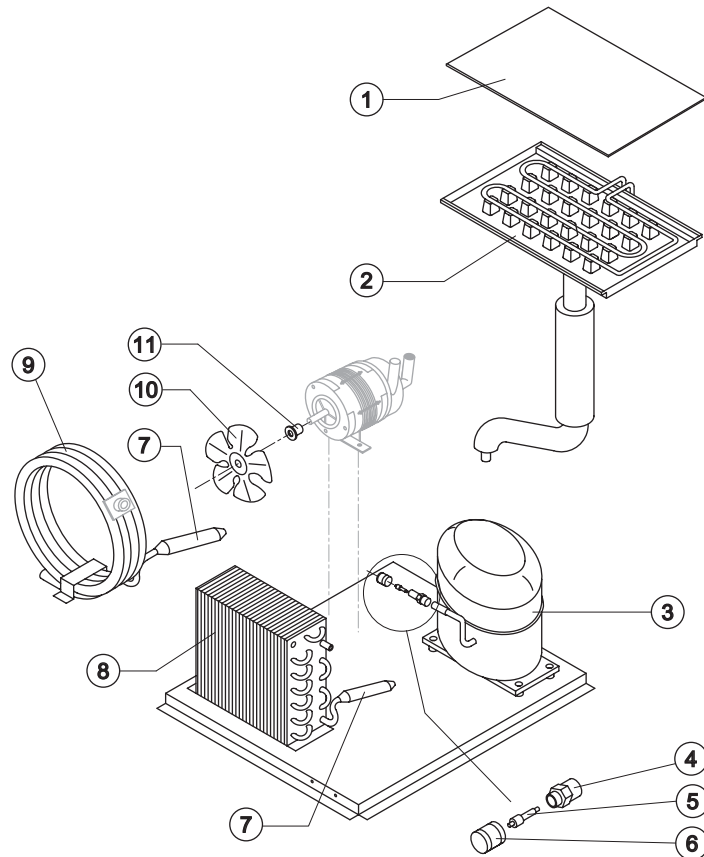


Rev. 2 - 10/2/2003

Ref.	Spare Description	Code
1	Top Assembly	C22694
2	Back Panel Assembly	C22238
3	Rear Grid	D12006
4	External Side With Grid	C22236
5	Stainless Steel Foot Adjustable	Current Version 20613
5	ABS Foot	Till s/n.169397 10040
6	Bulbe Thermostat Tube	Current Version 20522
6	Bulbe Thermostat Tube	Till s/n. 95200 20017
7	Ice Dispenser Panel	22274
8	Glass Support	22183
9	Basin Cover Panel	22241
10	Push Ice Dispenser Assembly	C26544
11	Microswitch	23055
12	Grid with Frame	C10205
13	Filtering Panel	18106
14	Front Grid Panel	Current Version C22508
14	Front Panel	Till s/n. 41526 22065
15	Door Assy	C10297
16	Faucet Cover	22197
17	Foamed Cabinet Assy	See Table -
18	Base Plate	Current Version 21282
18	Base Plate	Till s/n. 169397 C21125

Ref. 17 - Foamed Cabinet Assy

Code	Condensation	Note
C11033A	Air	Version 2
C11033W	Water	Version 2
C11033/E		Version 1



Common Parts

Ref.	Spare Description	Code
1	Evaporator Cover	10023
2	Evaporator	See Table
3	Compressor	See Table
4	Vacuum-Charge Valve Body	14007
5	Vacuum-Charge Valve Device	14005
6	Vacuum-Charge Valve Plug	14006
7	Molecular Drier	14009
10	Suction Impeller	10213
11	Hub with Washer with Screw	10014

Parts for Air-Cooled Version Only

Ref.	Spare Description	Code
8	Air Condenser	20019

Parts for Water-Cooled Version Only

Ref.	Spare Description	Code
9	Water Condenser	14014

Ref. 2 - Evaporator

Kind of Cube	Code
18 g. (Standard)	D10046
33 g. (Big)	D10089
13 g. (Small)	D10417

Ref. 3 - Compressor

Tension	Refr. R404A	Refr. R22
220/240V 50 Hz	23437	23320
220/230V 60 Hz	23495	23344
110/115V 60 Hz	23464	23370

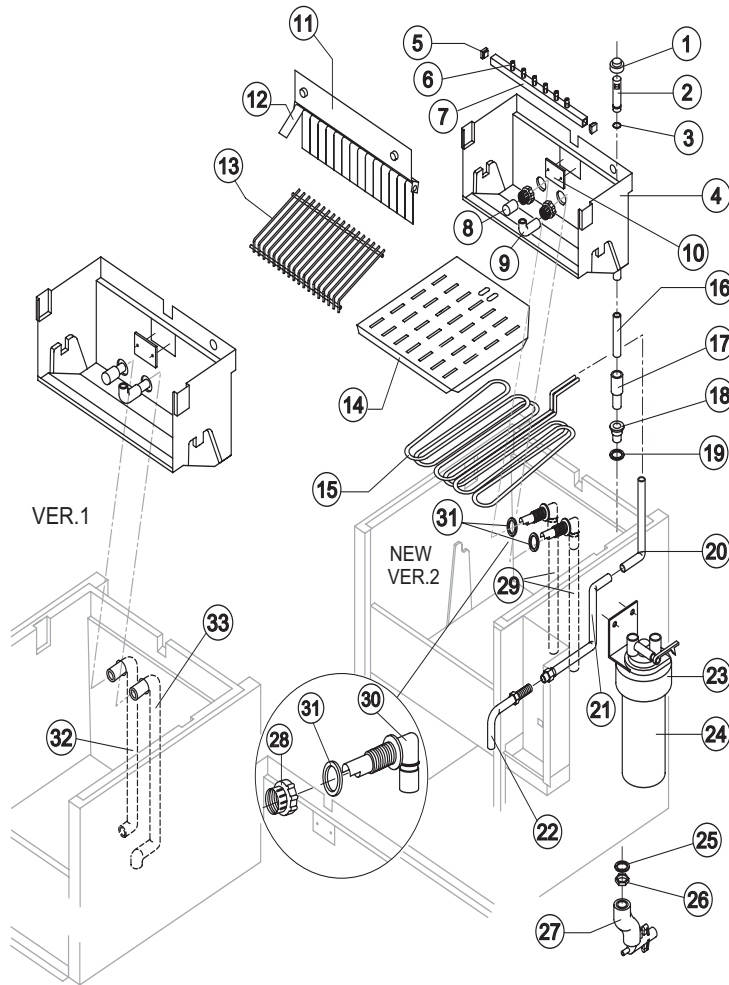


Ref. 2 - For ice makers made in version 1 (for "small size" ice cube only) ask, beside the Evaporator, also the Evaporator Support.



Ice Water 45

HYDRAULIC CIRCUIT



Ref. 7 - Sprayers Bar Ass.

Kind of Cube	Code
18 g. (Standard)	C20029
33 g. (Big)	C20155
13 g. (Small)	C20189

Ref. 13 - Ice Cubes Slide

Kind of Cube	Code
18 g. (Standard)	D12008
33 g. (Big)	D12030
13 g. (Small)	D12038

Common Parts

Ref.	Spare Description	Code
1	Overflow Cap	10305
2	Overflow Pipe	10133
3	OR Gasket for Overflow Pipe	20233
4	Inner Basin	10253
5	Sprayers Bar Plug	10012
6	Sprayer	D20002
7	Sprayers Bar Assembly	See Table
8	Pump Suction Filter	20005
9	Sprayers Feeding Pipe	13005
10	Slide Keep Plate	10009
11	Flags Support Assy	C22035
12	Flag	10005
13	Ice Cubes Slide	See Table
14	Coil Cover-Plate	22242
15	Water Coil	14118
16	Overflow Pipe	Current Version
16	Overflow Pipe	Till s/n. 64085
17	Overflow Pipe	13028
18	Plastic Nipple Water Outlet	10007
19	Silicone Gasket	13006
20	Coil-Faucet Connection Pipe	13040
21	Faucet Delivery Pipe	14124
22	Faucet	20195
23	"Everpure" Filter Head	20296
24	"AC Everpure" Filter Cartridge	20302
25	Semirigid Polyethylene Gasket	13007
26	Bin Discharge Nut	10096
28	Fittings Locking Ring	Version 2
28	Fittings Locking Ring	10405
29	Pump Suction/Delivery Pipe	Version 2
29	Pump Suction/Delivery Pipe	13139
30	Fitting of the Pump Suction/Delivery Pipes	Version 2
30	Fitting of the Pump Suction/Delivery Pipes	10404
31	Gasket for Suction Line/Pump Delivery	Version 2
31	Gasket for Suction Line/Pump Delivery	13143
32	Pump Suction Pipe	Version 1
32	Pump Suction Pipe	13021
33	Pump Delivery Pipe	Version 1
33	Pump Delivery Pipe	13019

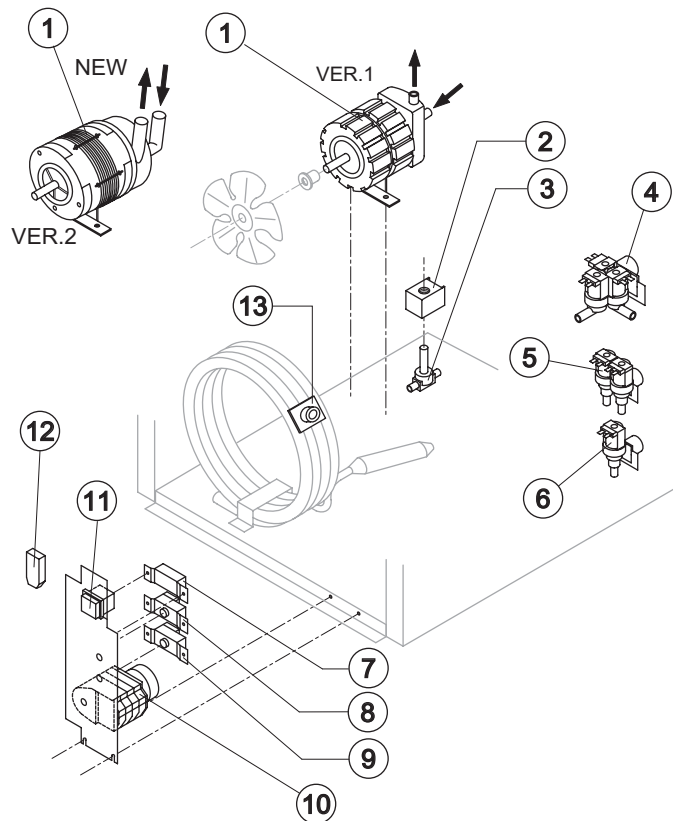
Parts for Air Cooled Version Only

Ref	Spare Description	Code
27	Discharges Manifold	C26453

Parts for Water Cooled Version Only

Ref	Spare Description	Code
27	Discharges Manifold	C26454

Rev. 2 - 10/2/2003



Common Parts

Ref.	Spare Description	Code
1	Pump	See Table
2	Hot Gas Coil	See Table
3	Hot Gas Valve Body	20410
6	Inlet Watervale 1 Way	See Table
8	Bin Thermostat	23005
9	Evaporator Thermostat	23591
10	Timer	See Table
11	Green Light Switch	23327

Parts for Air-Cooled Version Only

Ref.	Spare Description	Code
5	Inlet Watervale 2 Ways	See Table

Parts for Water-Cooled Version Only

Ref.	Spare Description	Code
4	Inlet Watervale 3 Ways	See Table
7	Condenser Pressure Switch	23175
12	Anti Radio Interference Filter	Only 220V 50 Hz 23457
13	Safety Thermostat	C23114

Ref. 4 - Inlet Watervale 3 Ways

Tension	Code
220/240V 50 Hz	C23174
220/230V 60 Hz	C23174
110/115V 60 Hz	C23294

Ref. 6 - Inlet Watervale 1 Way

Tension	Code
220/240V 50 Hz	23108
220/230V 60 Hz	23108
110/115V 60 Hz	23281

Ref. 2 - Hot Gas Coil

Tension	Code
220/240V 50 Hz	23091
220/230V 60 Hz	23091
110/115V 60 Hz	23256

Rif. 1 - Pump

Tension	Version 1	Version 2
220/240V 50 Hz	23002	23377
220/230V 60 Hz	23002	23377
110/115V 60 Hz	23264	23663

Ref. 5 - Inlet Watervale 2 Ways

Tension	Code
220/240V 50 Hz	C23191
220/230V 60 Hz	C23191
110/115V 60 Hz	C23293

Ref. 10 - Timer

Tension	18g Cube	33g Cube	13g Cube
220/240V 50 Hz	23222	23248	23247
220/230V 60 Hz	23248	23396	23247
110/115V 60 Hz	23259	23397	23258