



VM 500

LIST OF THE EXPLODED VIEWS

From s/n. 297566 up Today



SHELL ASSY

COOLING SYSTEM

HYDRAULIC CIRCUIT

SPRAYER PUMP

ELECTRIC PARTS

From s/n.141196 till s/n. 297565



SHELL ASSY

COOLING SYSTEM

HYDRAULIC CIRCUIT

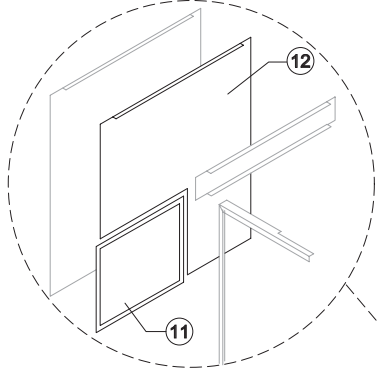
SPRAYER PUMP

ELECTRIC PARTS

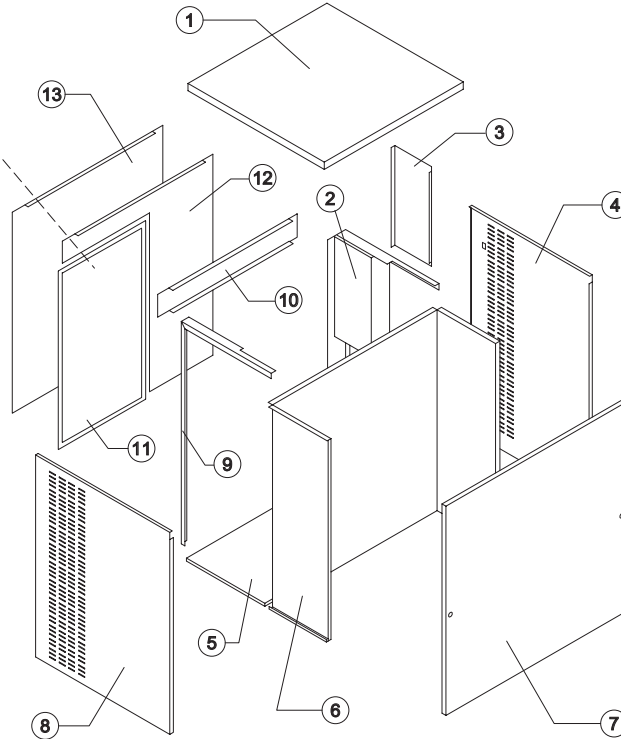
Rev. 5 - 29/05/2006



OLD



NEW



Common Parts

Ref.	Spare Description	Code
1	Top Assembly	C22813
2	Right Angle Bar	22814
3	Electrical Box Cover	21323
4	Right Side Panel	22408
5	Base Plate	22812
6	Evaporator Chamber	22819
7	Front Panel Assembly	C22816
8	Left Side Panel	22822
9	Left Angle Bar	22820
10	Rear Cross Bar	22817

Parts for Air-Cooled Version Only

Ref.	Spare Description	Code
11	Filter	Vedi Tabella -
12	Rear Panel	Vedi Tabella -

Parts for Water-Cooled Version Only

Ref.	Spare Description	Code
13	Rear Panel	21285

Ref. 11 - Filter

Version	Code
NEW	18178
OLD	18163

Ref. 12 - Rear Panel

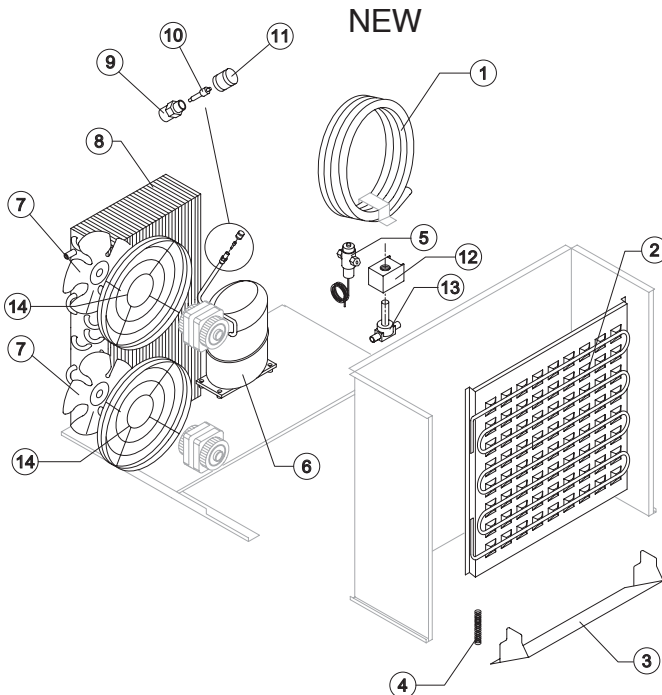
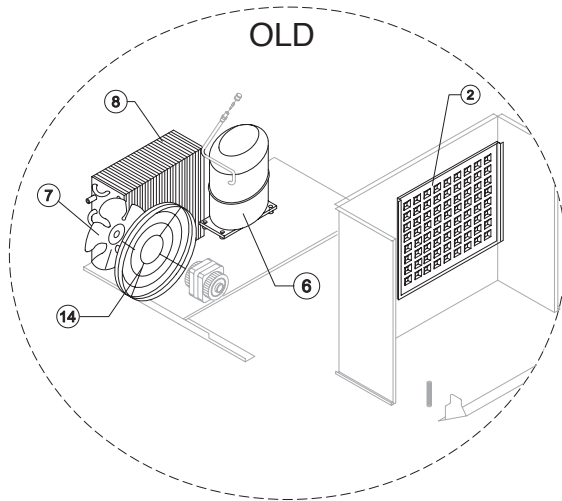
Version	Code
NEW	21324
OLD	21286



VM 500

From s/n. 297566 up Today

COOLING SYSTEM



Common Parts

Ref.	Spare Description	Code
2	Evaporator Vedi Tabella	-
3	Horizontally Hinged Panel	22608
4	Spring	20464
6	Compressor Vedi Tabella	-
9	Vacuum-Charge Valve Body	14007
10	Vacuum-Charge Valve Device	14005
11	Vacuum-Charge Valve Plug	14006
12	Hot Gas Valve Coil	23091
13	Hot Gas Valve Body	20409

Parts for Air-Cooled Version Only

Ref.	Spare Description	Code
7	Sucking Fan See Table	-
8	Air Condenser See Table	-

Parts for Water-Cooled Version Only

Ref.	Spare Description	Code
1	Water Condenser	14081
5	Pressostatic Valve	20210

Ref. 1 - Evaporator

Version	Code
NEW	D10228
OLD	D10227

Ref. 6 - Compressor

Tension	NEW	OLD
220/240V 50 Hz	23840	23543
220/230V 60 Hz	23642	23642

Ref. 7 - Sucking Fan

Version	Code
NEW	20153
OLD	20407

Ref. 8 - Air Condenser

Version	Code
NEW	20406
OLD	20670

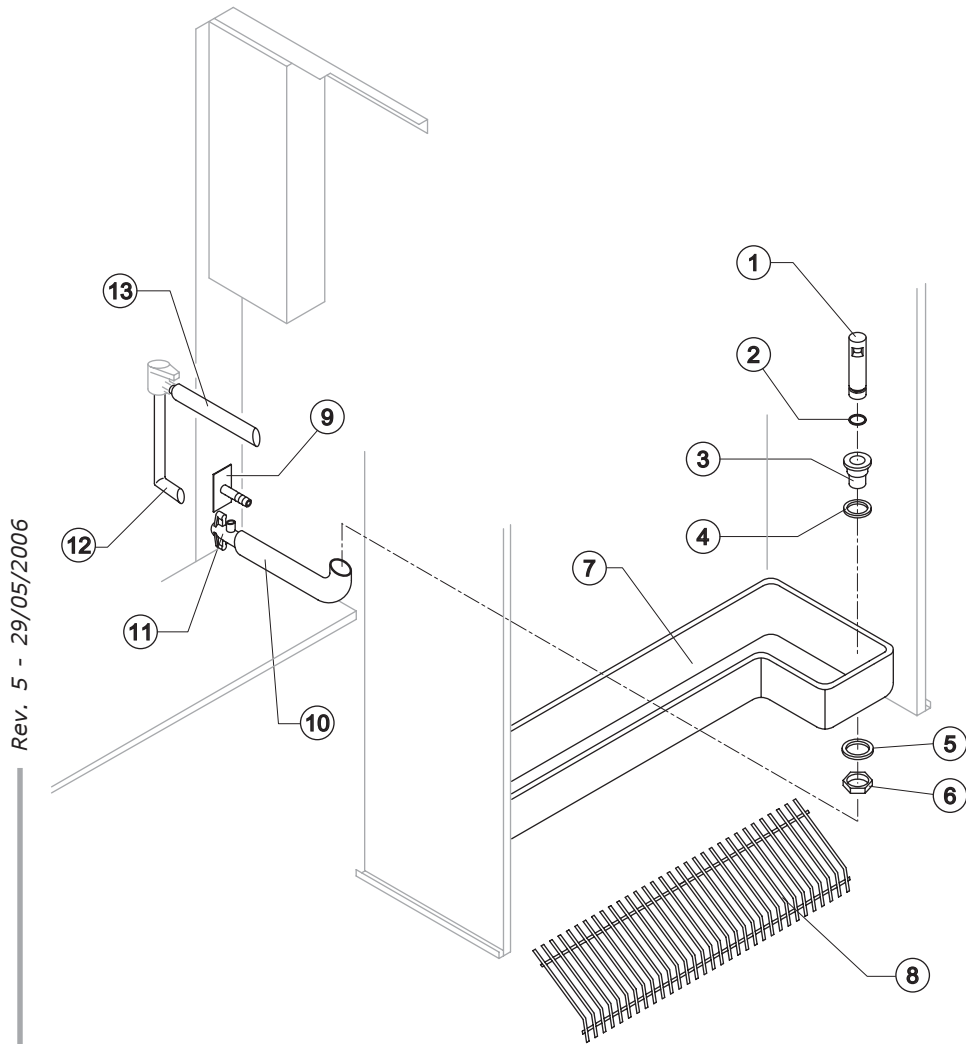


Common Parts

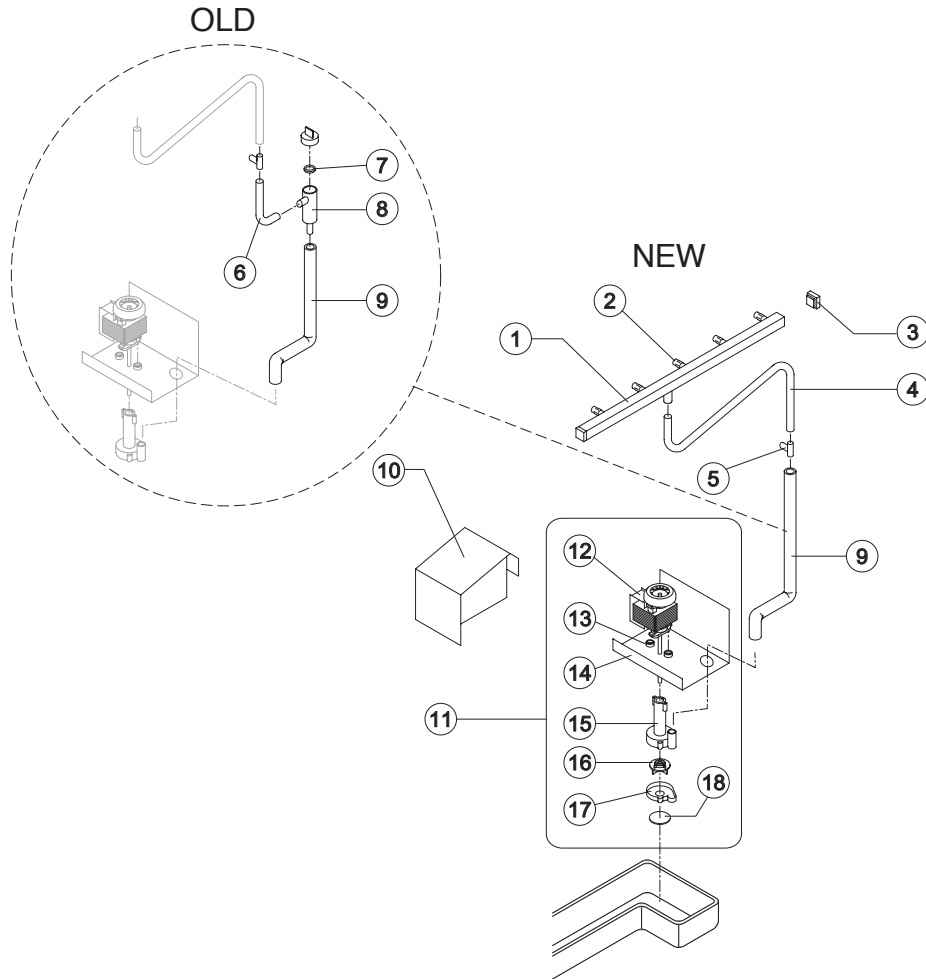
Ref.	Spare Description	Code
1	Overflow Pipe	10133
2	OR Gasket for Overflow Pipe	20233
3	Overflow Pipe Nipple	10471
4	Silicone Gasket	13006
5	Semirigid Polyethylene Gasket	13007
6	Bin Discharge Nut	10096
7	Water Basin	10395
8	Ice Cubes Slide	D12057
10	Overflow Pipe Nipple	13120
11	Drain Nipple	10431
12	Discharge Valve Connection Pipe - Discharge	13040
13	Discharge Valve Connection Pipe ("T" Shaped)	13102

Parts for Water-Cooled Version Only

Ref.	Spare Description	Code
9	Connection with Plate	C20462



Rev. 5 - 29/05/2006



Ref.	Spare Description	Code
1	Sprayers Bar Assembly	C20465
2	Sprayer	D20002
3	Sprayers Bar Plug	10012
4	Sprinkler Bar Connecting Pipe (iTi Shaped)	13134
5	Plastic "T" ø20	10082
6	Sprayers Feeding Pipe	13005
7	Pump Filter Gasket	13080
8	Pump Filter	10139
9	"T" - Pump Connection Pipe	See Table
10	Protection Pump Panel	22804
11	Pump Assembly	See Table
12	Pump	See Table
13	Pump Motor Shim	20510
14	Pump Motor Support	22799
15	Pump Body	10065
16	Pump Impeller	See Table
17	Diffusor	10067
18	Pump Filter	20518

Ref. 9 - "T" - Pump Connection Pipe

Version	Code
NEW	13113
OLD	13157

Ref. 11 - Pump Assy

Tension	Code
220/240V 50 Hz	C23624
220/230V 60 Hz	C23616

Ref. 12 - Pump

Tension	Code
220/240V 50 Hz	23073
220/230V 60 Hz	23187

Ref. 16 - Pump Impeller

Tension	Code
220/240V 50 Hz	10066
220/230V 60 Hz	10138

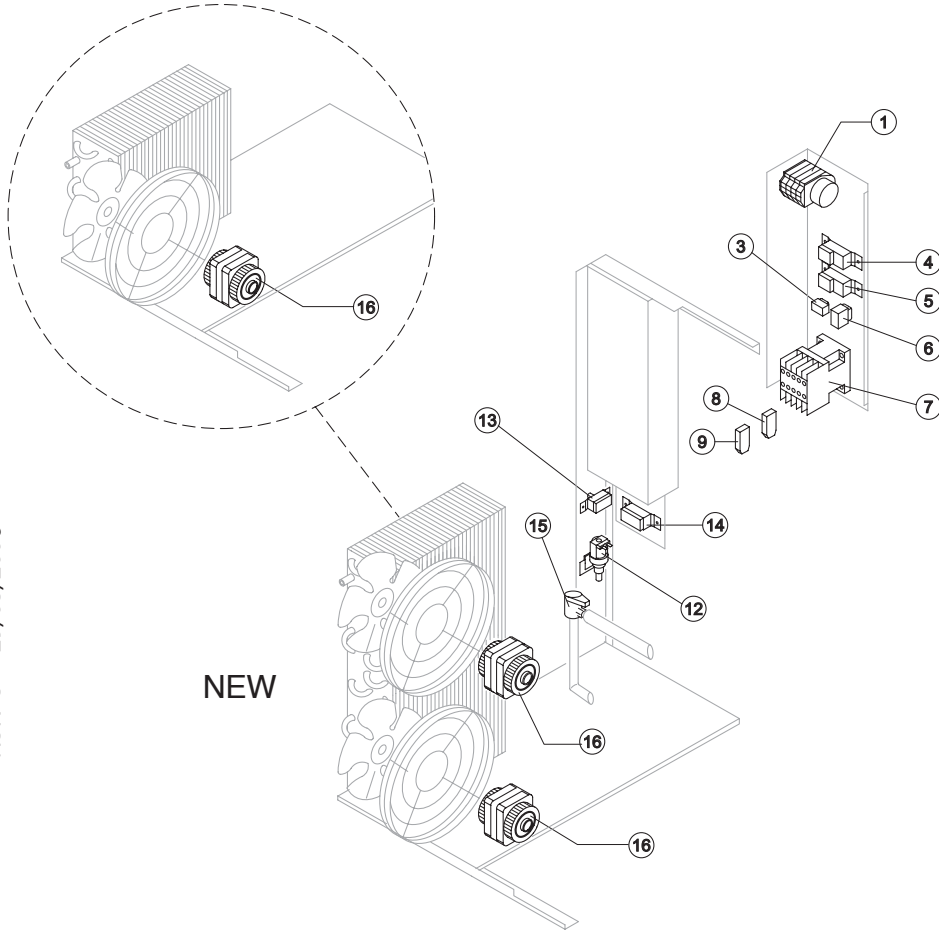


VM 500

From s/n. 297566 up Today

ELECTRIC PARTS

OLD



NEW

Common Parts

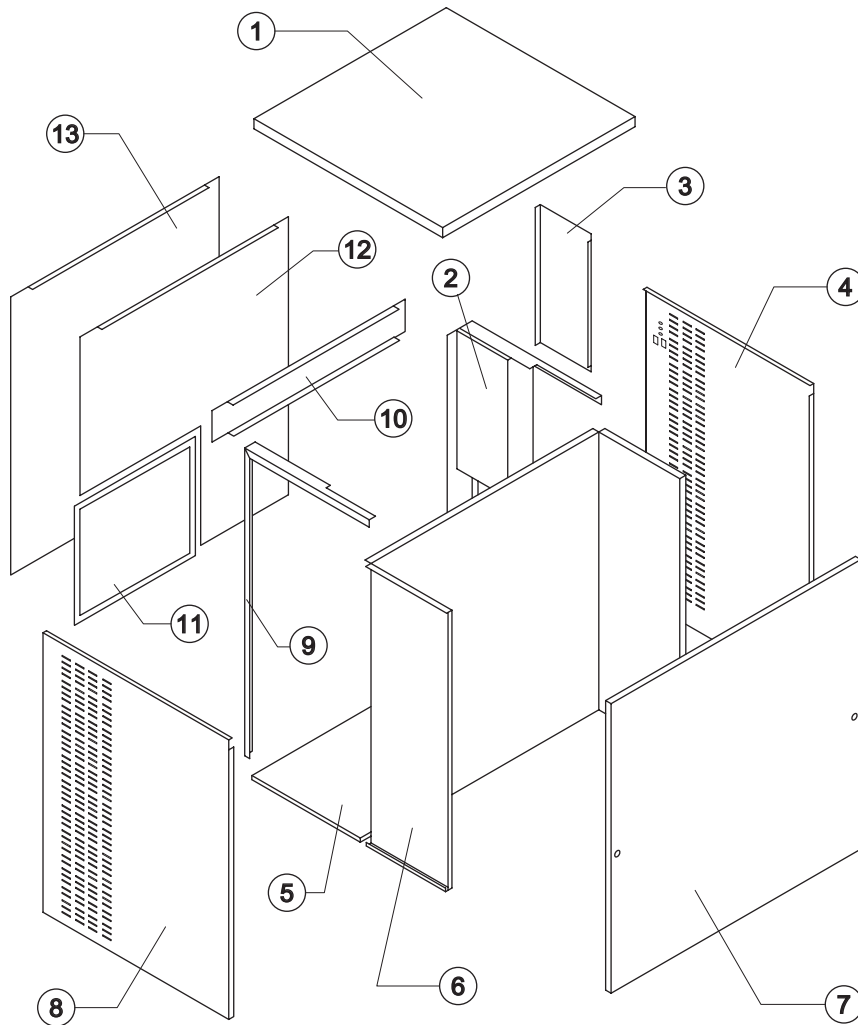
Ref.	Spare Description	Code
1	Timer	See Table
3	"Cleaning" Switch	23619
4	Bin Thermostat	R23005
5	Evaporator Thermostat	R23597
6	Green Light Switch (On-Off)	23327
7	Contactor	23147
12	1 Way- Water Inlet Valve	23787
13	Safety Pressure Switch	23342
15	Water Outlet Valve	23537

Parts for Air-Cooled Version Only

Ref.	Spare Description	Code
8	Anti Radio Interference Filter	Only 220V 50 Hz C23459
9	Anti Radio Interference Filter	Only 220V 50 Hz C23458
14	Condenser Pressure Switch	23175
16	Fan Motor	23121

Ref. 1 - Timer

Tensione	Codice
220/240V 50 Hz	23635
220/230V 60 Hz	23632



Rev. 5 - 29/05/2006

Common Parts

Ref.	Spare Description	Code
1	Top Assembly	C22813
2	Right Angle Bar	22814
3	Electrical Box Cover	21274
4	Right Side Panel	22821
5	Base Plate	22812
6	Evaporator Chamber	22819
7	Front Panel Assembly	C22816
8	Left Side Panel	22822
9	Left Angle Bar	22820
10	Rear Cross Bar	22817

Parts for Air-Cooled Version Only

Ref.	Spare Description	Code
11	Filter	18163
12	Rear Panel	21286

Parts for Water-Cooled Version Only

Ref.	Spare Description	Code
13	Rear Panel	21285



Common parts

Ref.	Spare Description	Code
2	Evaporator	D10227
3	Horizontally Hinged Panel	22608
4	Spring	20464
6	Compressor	See Table
9	Vacuum-Charge Valve Body	14007
10	Vacuum-Charge Valve Device	14005
11	Vacuum-Charge Valve Plug	14006
12	Hot Gas Valve Coil	23091
13	Hot Gas Valve Body	20409

Parts for Air-Cooled Version Only

Ref.	Spare Description	Code
7	Sucking Fan	20407
8	Air Condenser	20670

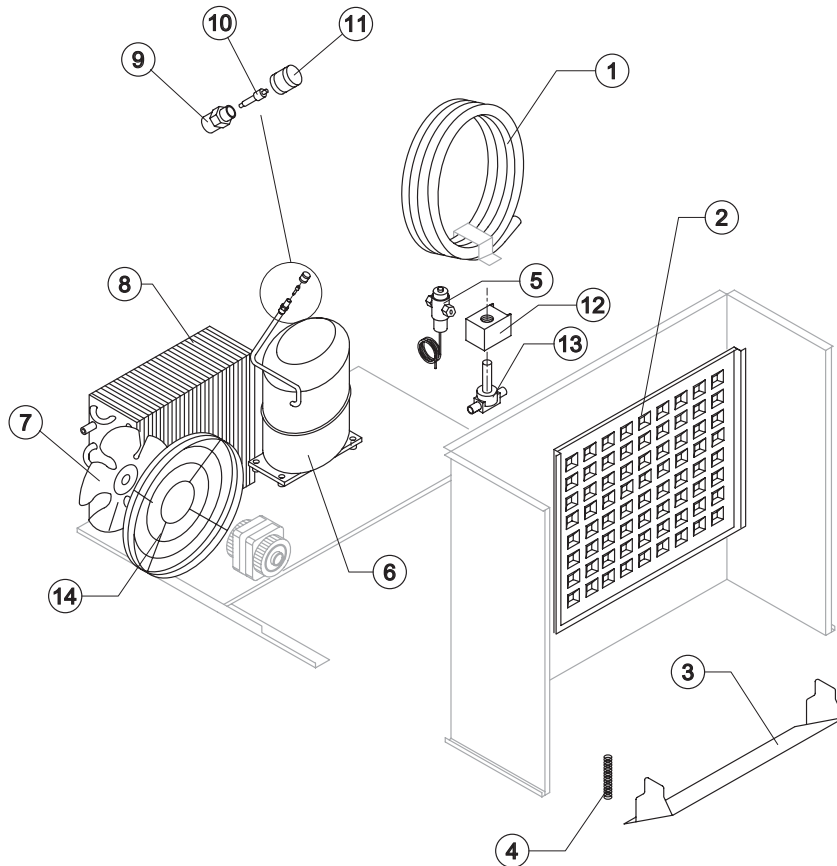
Parts for Water-Cooled Version Only

Ref.	Spare Description	Code
1	Water Condenser	14081
5	Pressostatic Valve	20210

Ref. 6 - Compressor

Tension	Code	Note
220/240V 50 Hz	23543	
220/230V 60 Hz	23642	Current Version
220/230V 60 Hz	23593	Till s/n. 189944

Rev. 5 - 29/05/2006



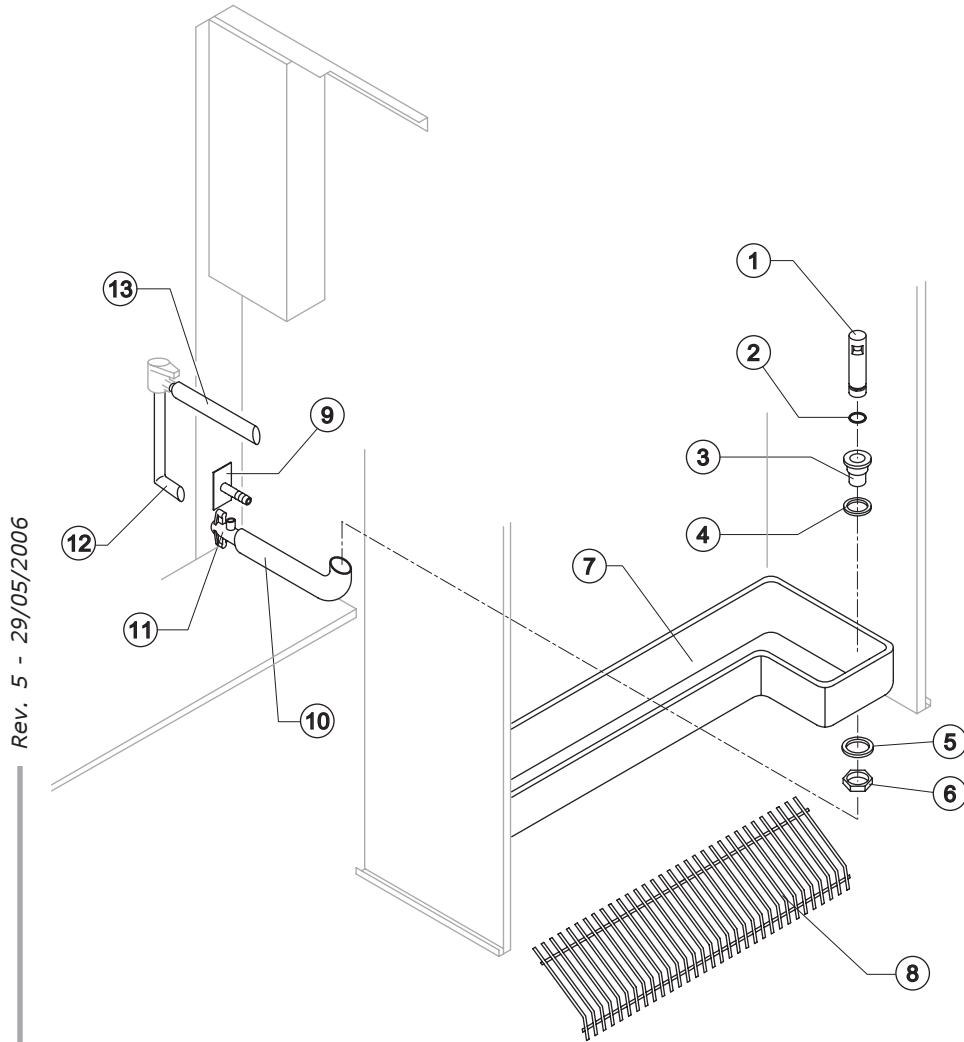


Common parts

Ref.	Spare Description	Code
1	Overflow Pipe	10133
2	OR Gasket for Overflow Pipe	20233
3	Overflow Pipe Nipple	10241
4	Silicone Gasket	13006
5	Semirigid Polyethylene Gasket	13007
6	Bin Discharge Nut	10096
7	Water Basin	10395
8	Ice Cubes Slide	D12057
10	Overflow Pipe Nipple	13120
11	Drain Nipple	10431
12	Discharge Valve Connection Pipe - Discharge	13040
13	Discharge Valve Connection Pipe ("T" Shaped)	13102

Parts for Water-Cooled Version Only

Ref.	Spare Description	Code
9	Connection with Plate	C20462



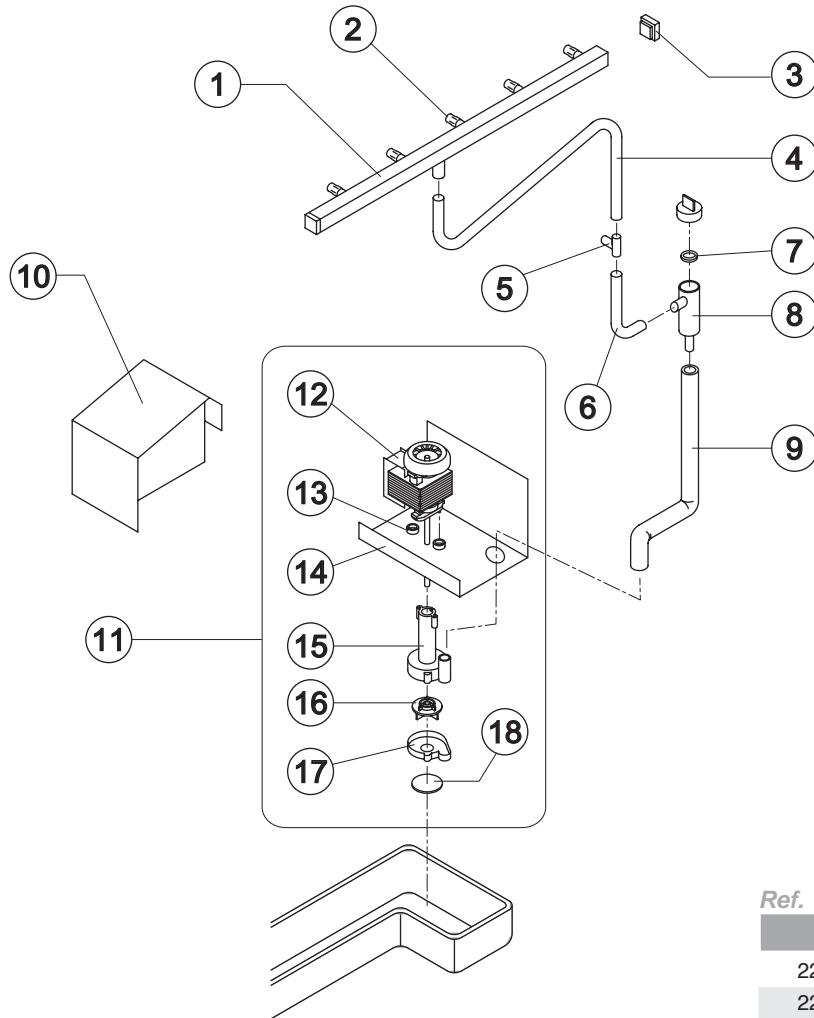
Rev. 5 - 29/05/2006



VM 500

From s/n. 141196 till s/n. 297565

SPRAYER PUMP



Ref.	Spare Description	Code	
1	Sprayers Bar Assembly	C20465	
2	Sprayer	D20002	
3	Sprayers Bar Plug	10012	
4	Sprinkler Bar Connecting Pipe ("T" Shaped)	13134	
5	Plastic "T" ø20	10082	
6	Sprayers Feeding Pipe	13005	
7	Pump Filter Gasket	13080	
8	Pump Filter	10139	
9	"T" - Pump Connection Pipe	13157	
10	Protection Pump Panel	22804	
11	Pump Assembly	Vedi Tabella	-
12	Pump	Vedi Tabella	-
13	Thickness Pump Motor		20510
14	Pump Motor Support		22799
15	Pump Body		10065
16	Pump Impeller	Vedi Tabella	-
17	Diffusor		10067
18	Pump Filter		20518

Ref. 11 - Pump Assy

Tension	Code
220/240V 50 Hz	C23624
220/230V 60 Hz	C23616

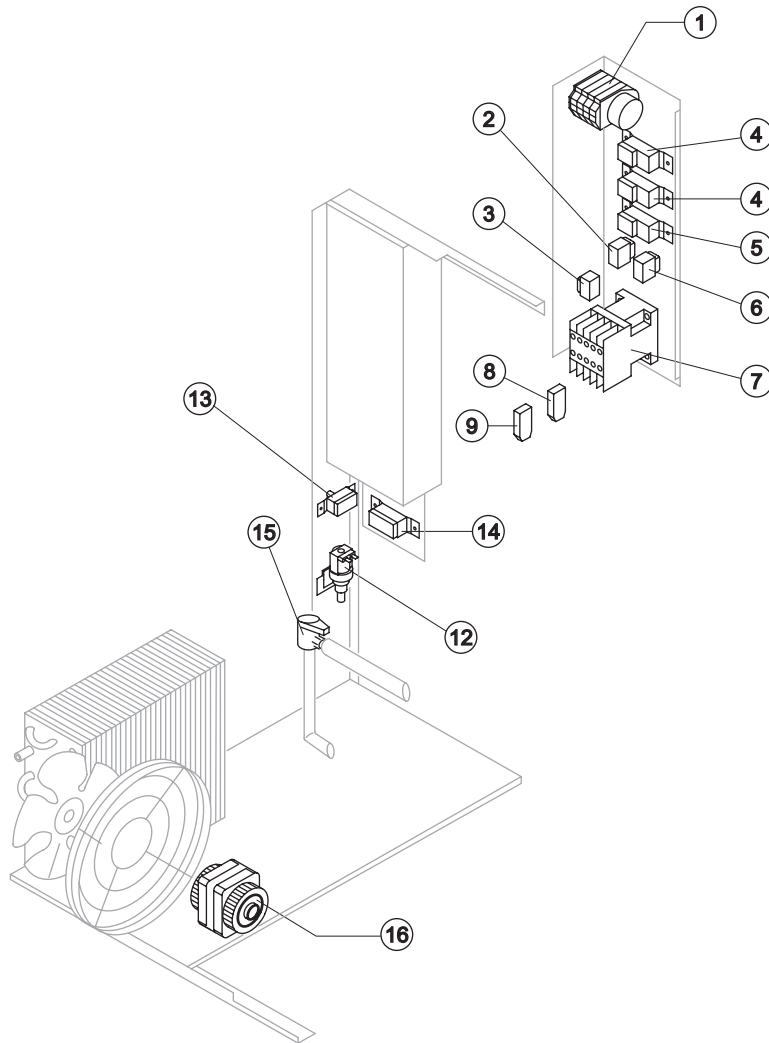
Ref. 12 - Pump

Tension	Code
220/240V 50 Hz	23073
220/230V 60 Hz	23187

Ref. 16 - Pump Impeller

Tension	Code
220/240V 50 Hz	10066
220/230V 60 Hz	10138

Rev. 5 - 29/05/2006



Common parts

Ref.	Spare Description	Code
1	Timer Vedi Tabella	-
2	Light Switch "Economy-Full"	23611
3	"Cleaning" Switch	23619
4	Bin Thermostat	R23005
5	Evaporator Thermostat	R23597
6	Green Light Switch (On-Off)	23327
7	Contactor	23147
12	1 Way- Water Inlet Valve	23787
13	Safety Pressure Switch	23342
15	Water Outlet Valve	23537

Parts for Air-Cooled Version Only

Ref.	Spare Description	Code
8	Anti Radio Interference Filter Solo 220V 50 Hz	C23459
9	Anti Radio Interference Filter Solo 220V 50 Hz	C23458
14	Condenser Pressure Switch	23175
16	Fan Motor	23121

Ref. 1 - Timer

Tension	Code
220/240V 50 Hz	23635
220/230V 60 Hz	23632