

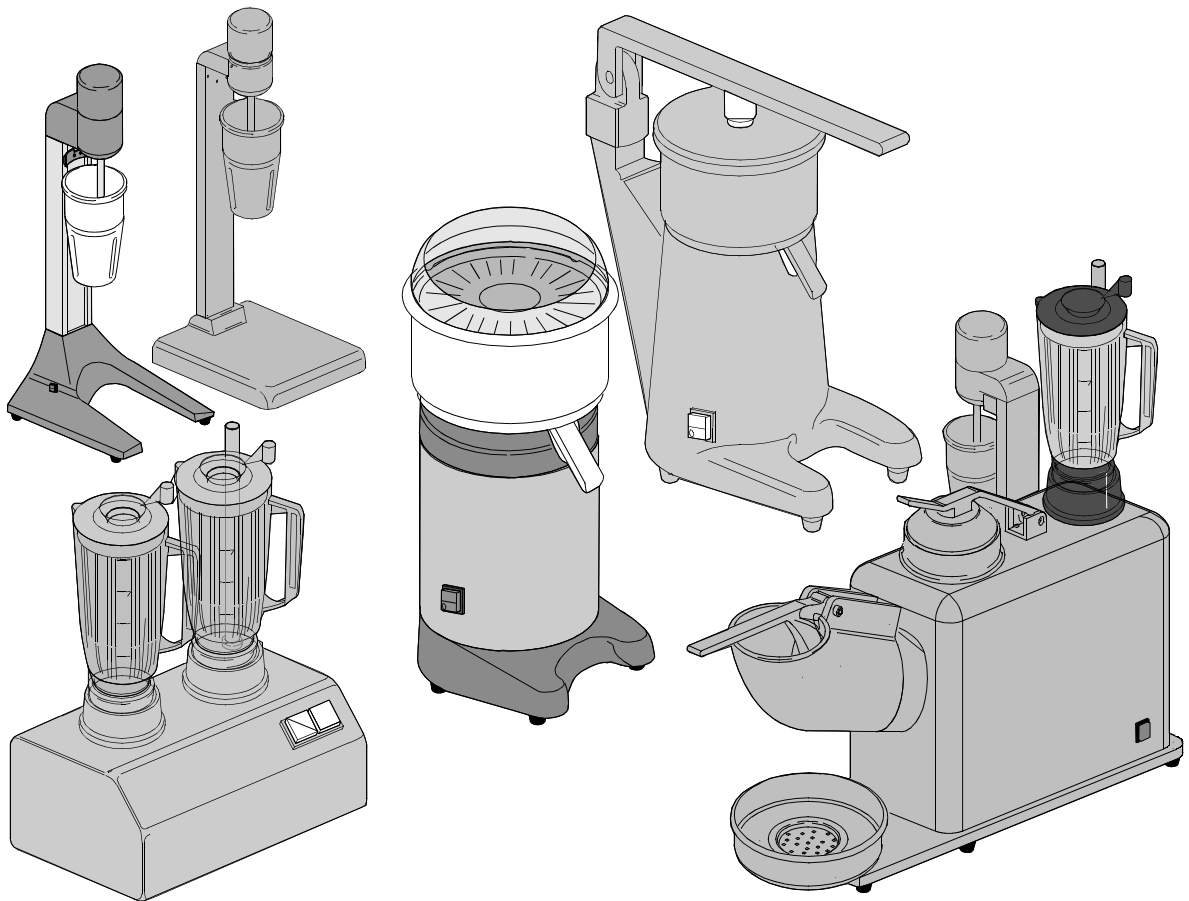
ROBOT

LINEA ROBOT

TYPE: RO

Accessories
WITHOUT ACCESSORY

Spare parts manual



1. Spare parts

| | |
|--|-----------|
| Blender F1 / F2 | 7 |
| Blender F1 / F2 | 9 |
| Blender F1 / F2 | 11 |
| Citrus squeezers S30 | 13 |
| Citrus squeezers S40 | 15 |
| Citrus squeezers S40 | 17 |
| Citrus squeezers S55 | 19 |
| Citrus squeezers S55 | 21 |
| Multiple group GM mod.03..... | 23 |
| Multiple group GM/2 mod.03 | 25 |
| Multiple group GM - GM/2..... | 27 |
| Multiple group GM2/2..... | 29 |
| Multiple group GM2/2 mod.03 | 33 |
| Multiple group GM3 mod.03..... | 35 |
| Multiple group GM4 mod.03..... | 39 |
| Multiple group GM3 - GM4..... | 43 |

Spare parts

Mixer M1 - M2 - MP 47

Mixer M1 - M2 - MP 49

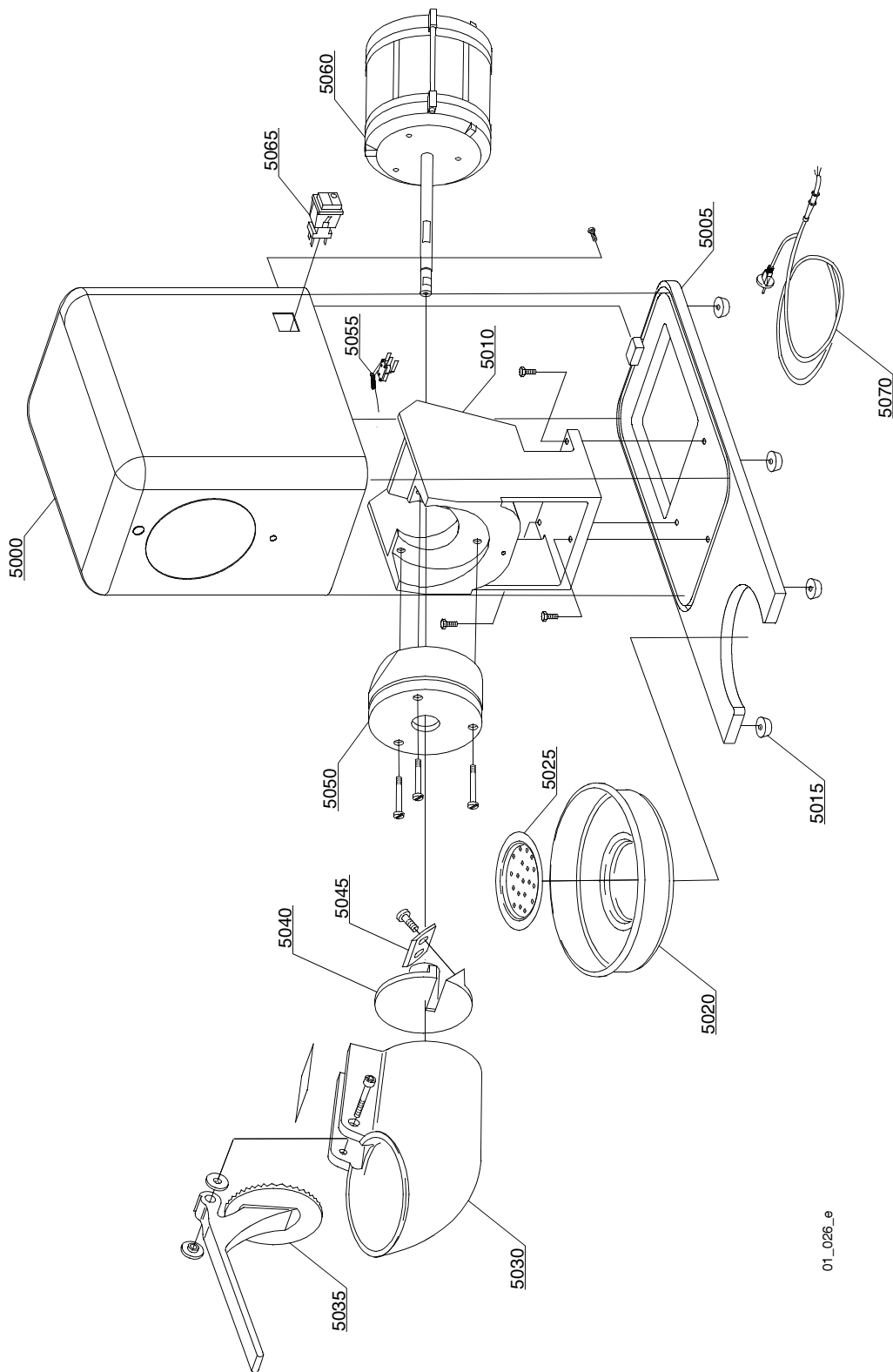
Mixer M1 - M2 - MP 51

1.1 Voltage codes

| Voltage code | Voltage |
|--------------|----------------------|
| A | 3/N/PE~400/230V 50Hz |
| B | ~250V 16A 50Hz |
| C | 3/N/PE~380/220V 50Hz |
| D | 3/PE~200V 50-60Hz |
| F | 2/PE 220-240V 50Hz |
| G | 3/N/PE~415/240V 50Hz |
| H | 3/PE~230V 50Hz |
| I | 3/PE~220V 60Hz |
| J | 3/PE~380 50Hz |
| K | 3/PE~400V 50Hz |
| L | 3/PE~415V 50Hz |
| M | 3/PE~440V 60Hz |
| N | 3/PE~460V 60Hz |
| O | 3/PE~480V 60Hz |
| P | 1/N/PE~220-240V 50Hz |
| R | 2/PE~220-230V 60Hz |
| S | 3/N/PE~400/230V 50Hz |
| T | 3/PE~230V 60Hz |

1.2 Product codes

| Product code | Full name |
|-----------------|-------------------|
| Model codes | |
| | |
| Type codes | |
| 51 | 51 |
| 56A | 56A |
| 56B | 56B |
| 56RB | 56RB |
| 56C | 56C |
| 56RC | 56RC |
| 56 | 56 |
| 57A | 57A |
| 57B | 57B |
| 57C | 57C |
| 57 | 57 |
| 581 | 581 |
| 582 | 582 |
| 58R | 58R |
| 58 | 58 |
| RO | RO |
| BW | BW |
| Accessory codes | |
| wa | WITHOUT ACCESSORY |



01_026_e

Spare parts

| ID | P-code | Model | Type | Accessory | Voltage | Description |
|---------------------------------|--------|-------|------------------|-----------|---------|---------------------------------|
| MODULE:Multiple group GM mod.03 | | | | | | |
| 5000 | 61010 | | BW,RO,5703,5703A | | | Stainless steel cover GM mod.03 |
| 5005 | 61005 | | BW,RO,5703,5703A | | | Base GM mod.03 |
| 5010 | 61003 | | BW,RO,5703,5703A | | | Engine support mod.03 |
| 5015 | 60126 | | BW,RO,5703,5703A | | | Rubber small foot |
| 5020 | 60137 | | BW,RO,5703,5703A | | | Ice holder little tank |
| 5025 | 60136 | | BW,RO,5703,5703A | | | Perforated rounded small grill |
| 5030 | 61000 | | BW,RO,5703,5703A | | | Ice feeder |
| 5035 | 61001 | | BW,RO,5703,5703A | | | Ice press handle |
| 5040 | 61002 | | BW,RO,5703,5703A | | | Blade holder |
| 5045 | 60127 | | BW,RO,5703,5703A | | | Blade for ice-crusher |
| 5050 | 61004 | | BW,RO,5703,5703A | | | Feeder support mod.03 |
| 5055 | 10704 | | BW,RO,5703,5703A | | | Microswitch |
| 5060 | 60142 | | BW,RO,5703,5703A | | | Main motor |
| 5065 | 15849 | | BW,RO,5703,5703A | | | 0-1 green single key switch |
| 5070 | 60125 | | BW,RO,5703,5703A | | | Power supply cable |