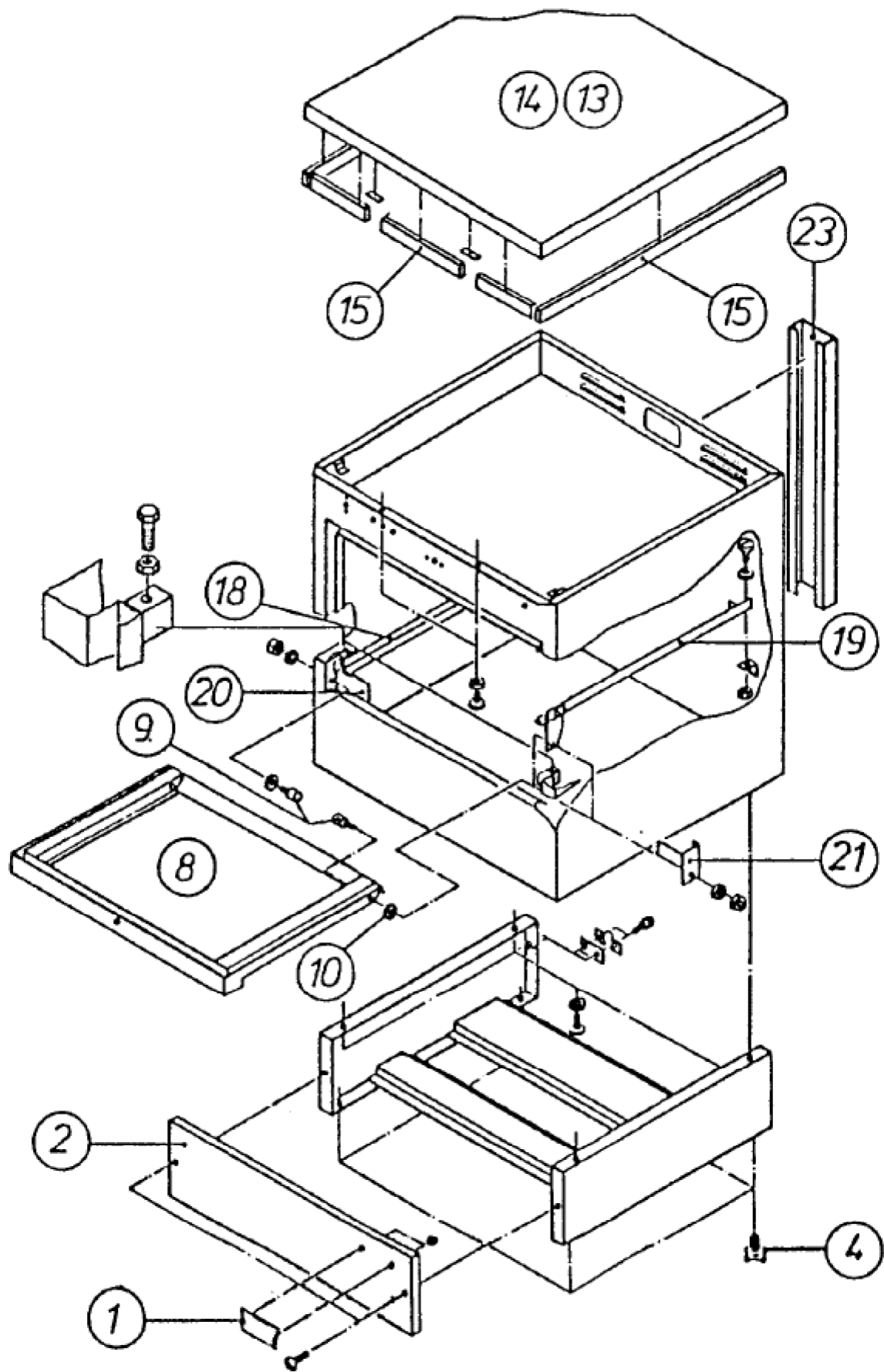
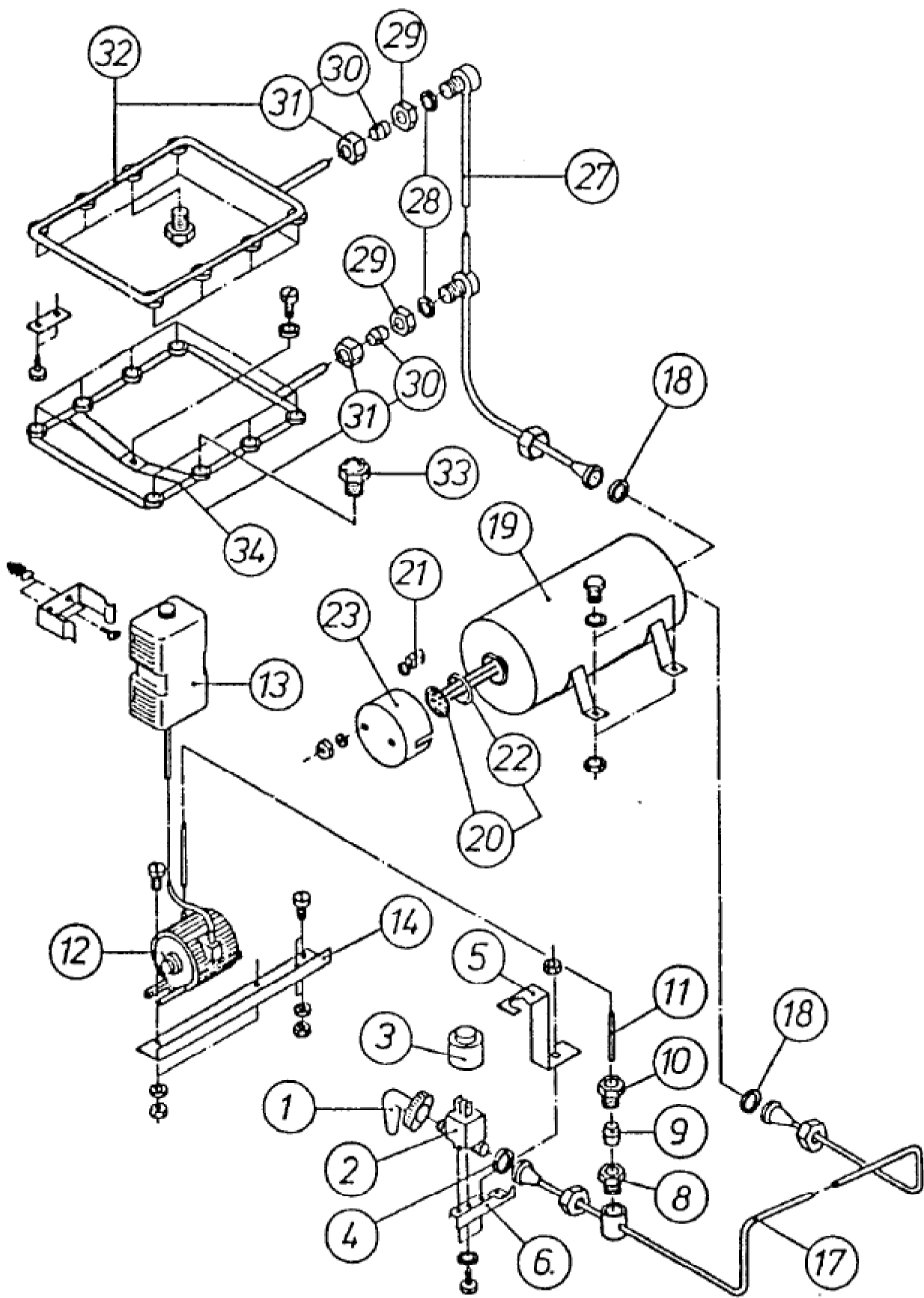


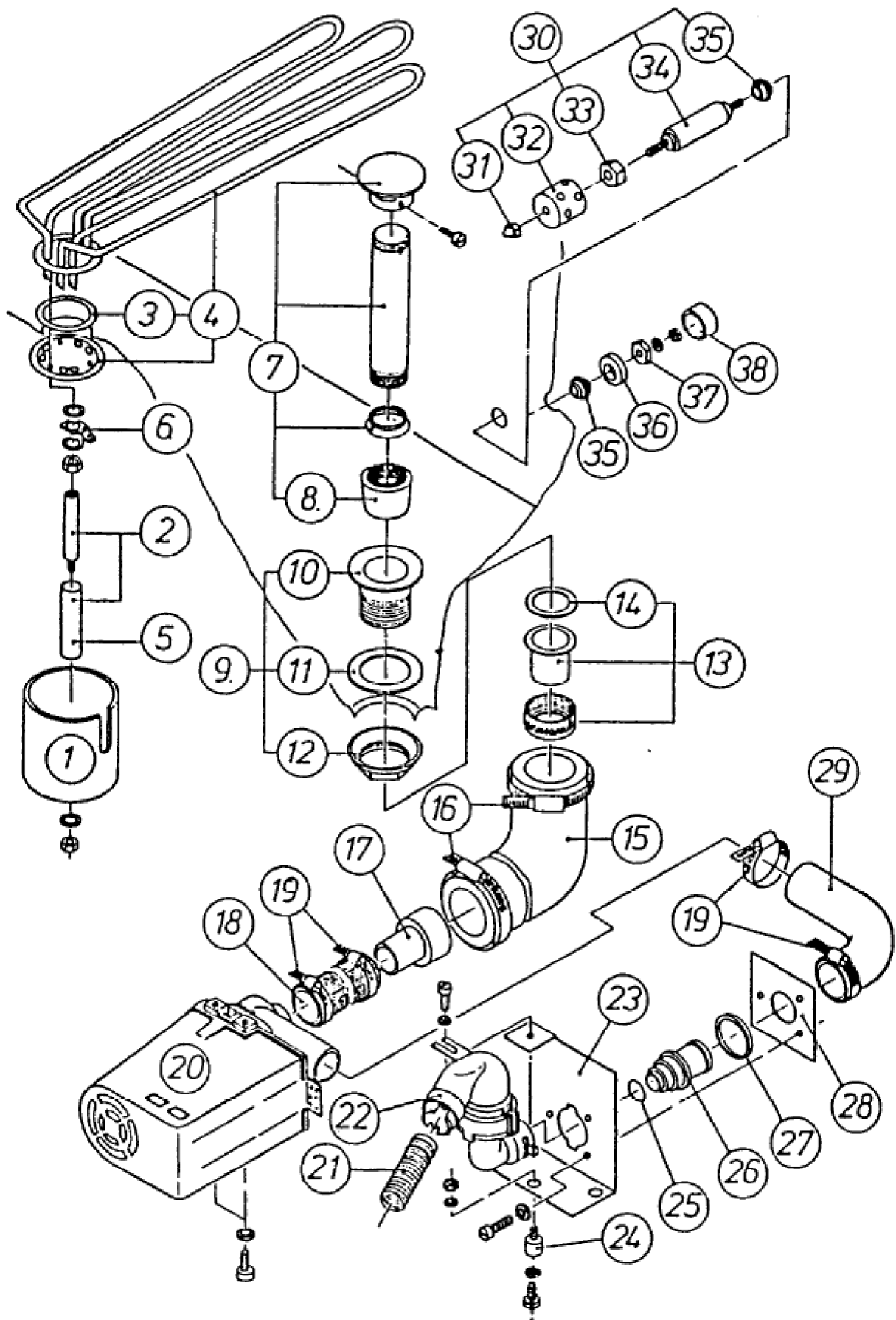
| Seite | Position | Kreditorart.Nr | GB                               | DE                 |
|-------|----------|----------------|----------------------------------|--------------------|
| 001   | 001      | 408500         | pump strainer                    | Stecksieb          |
| 001   | 002      | 408501         | intake fitting                   | Ansaugstutzen      |
| 001   | 003      | 408502         | round cord nng                   | Rundschnurring     |
| 001   | 004      | 408503         | grooved nut                      | Nutmutter          |
| 001   | 005      | 260261         | hose clip                        | Schlauchklemme     |
| 001   | 006      | 408504         | suction hose                     | Ansaugschlauch     |
| 001   | 007      | 408505         | motor with pump                  | Motor mit Pumpe    |
| 001   | 008      | 408506         | cage                             | Käfig              |
| 001   | 009      | 408507         | basic plate                      | Grundplatte        |
| 001   | 010      | 408508         | rubber-metal buffer              | Gummimetall-Puffer |
| 001   | 014      | 408510         | pressure hose                    | Druckschlauch      |
| 001   | 015      | 408511         | pressure joint                   | Druckstutzen       |
| 001   | 016      | 408512         | venturi nozzle                   | Staudüse           |
| 001   | 017      | 408513         | rotor hub                        | Rotornabe          |
| 001   | 018      | 408514         | rotor                            | Rotor              |
| 001   | 019      | 408515         | wing nut                         | Flügelmutter       |
| 001   | 024      | 408516         | feed pipe                        | Steigerohr         |
| 001   | 025      | 408517         | tube cuff                        | Rohrschelle        |
| 001   | 026      | 408518         | rotor angle                      | Rotorwinkel        |
| 001   | 027      | 408519         | full length parallel grooved pin | Zylinderkerbstift  |



| Seite | Position | Kreditorart.Nr | GB   | DE                                       |
|-------|----------|----------------|--|--|
| 003   | 001      | 408526         | cellular rubber profile                        | Profilmooosgummi                         |
| 003   | 001      | 140364         | manufacturer's label                           | Firmenschild                             |
| 003   | 002      | 408520         | base panel                                     | Sockelblech                              |
| 003   | 004      | 408521         | adjusting foot                                 | Justierfuß                               |
| 003   | 008      | 408522         | door with handle                               | Tür einschl. Griffleiste                 |
| 003   | 009      | 408523         | fillister socket head screw                    | Zylinderschraube mit Innensechskant      |
| 003   | 010      | 157311         | U-disk 8,4                                     | U-Scheibe 8,4                            |
| 003   | 013      | 408524         | cover plate, electric machine / built-in model | Abdeckung, E-Maschine / Untertischmodell |
| 003   | 014      | 408525         | cover plate for standard model                 | Abdeckhaube, Standmodell                 |
| 003   | 018      | 408527         | slide rail left side                           | Gleitschiene, links                      |
| 003   | 019      | 408528         | slide rail, right side                         | Gleitschiene, rechts                     |
| 003   | 020      | 408529         | deflector angle, left side                     | Prallwinkel, links                       |
| 003   | 021      | 408530         | deflector angle, right side                    | Prallwinkel, rechts                      |
| 003   | 023      | 408651         | cable conduit                                  | Kabelkanal                               |

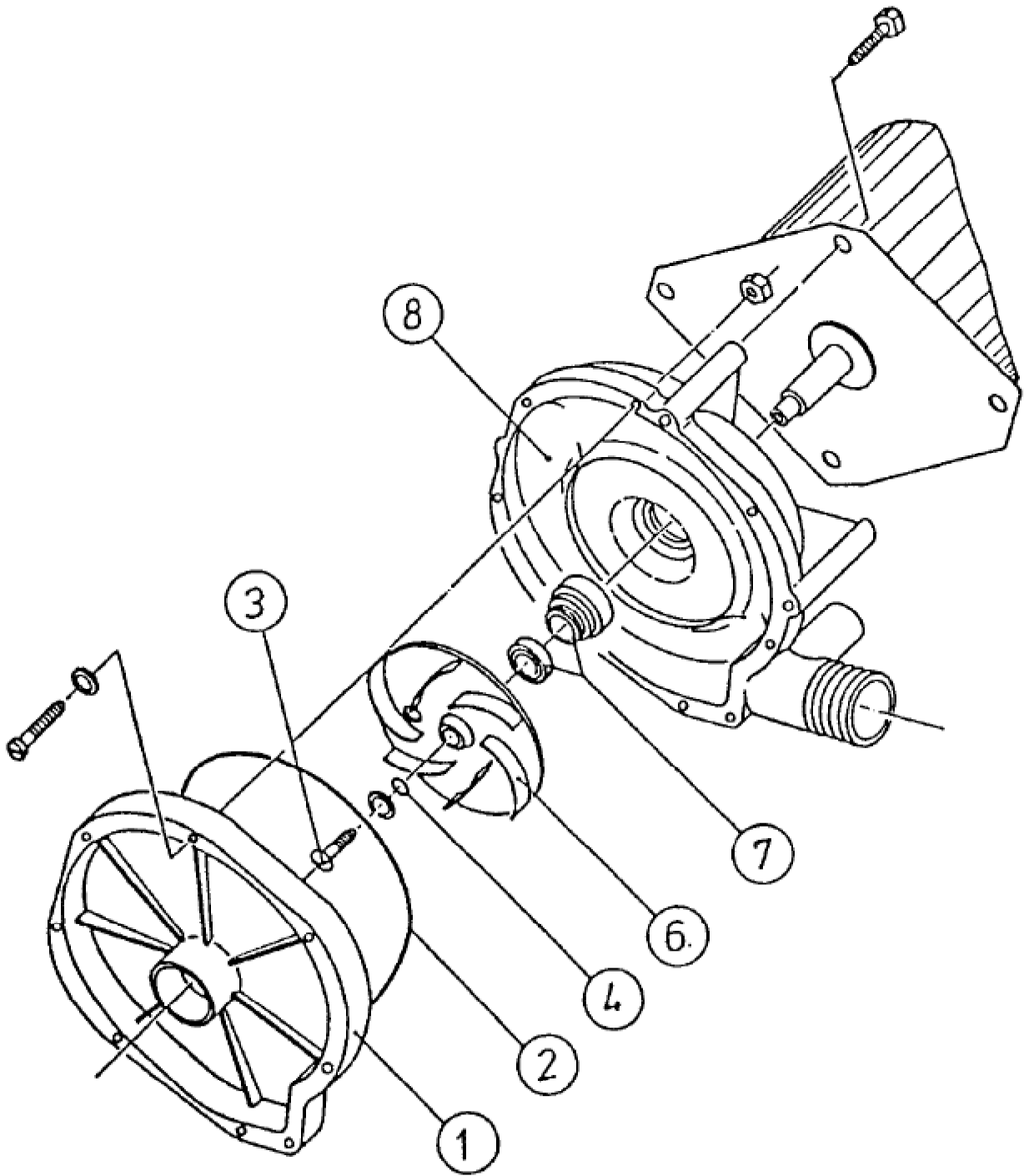


| Seite | Position | Kreditorart.Nr | GB   | DE                                  |
|-------|----------|----------------|--|-------------------------------------|
| 005   | 001      | 408531         | threaded angle fitting                             | Winkelverschraubung                 |
| 005   | 002      | 408532         | solenoid   | Magnetventil                        |
| 005   | 003      | 408533         | protection cap                                     | Schutzkappe                         |
| 005   | 004      | 408534         | hot water seal                                     | Heißwasserdichtung                  |
| 005   | 005      | 408535         | holder   | Haltebügel                          |
| 005   | 006      | 408536         | holder for solenoid                                | Magnetventilhalter                  |
| 005   | 006      | 408821         | suction hose (Pos. 8-1) complete                   | Ansaugschlauch (Pos. 8-1) komplett  |
| 005   | 008      | 408537         | reducing nipple                                    | Reduziernippel                      |
| 005   | 009      | 114120         | double tapered ring                                | Doppelkegelring                     |
| 005   | 010      | 154767         | cap nut  | Überwurfschraube                    |
| 005   | 011      | 061012         | suction hose                                       | Ansaugschlauch                      |
| 005   | 012      | 408538         | dispensing device                                  | Dosiergerät                         |
| 005   | 013      | 186076         | tank for dispensing device                         | Dosiermittelbehälter                |
| 005   | 014      | 408539         | angle  | Winkel                              |
| 005   | 017      | 408540         | feed pipe  | Zuleitungsrohr                      |
| 005   | 018      | 060434         | hot water seal                                     | Heißwasserdichtung                  |
| 005   | 019      | 408541         | housing for booster heater                         | Boiler-Gehäuse                      |
| 005   | 020      | 408542         | pipe heating element                               | Rohrheizkörper                      |
| 005   | 021      | 144297         | clamp clip   | Spannbügel                          |
| 005   | 022      | 060840         | sealing ring RD 59x6                               | Rundschnurdichtung RD 59x6          |
| 005   | 023      | 408543         | protection cap                                     | Schutzkappe                         |
| 005   | 027      | 408544         | feed pipe  | Zuleitung                           |
| 005   | 028      | 408826         | round cord nng                                     | Rundschnurring                      |
| 005   | 029      | 408545         | nut  | Mutter                              |
| 005   | 030      | 114102         | double tapered ring                                | Doppelkegelring                     |
| 005   | 031      | 408546         | retaining nut                                      | Überwurfmutter                      |
| 005   | 032      | 408547         | upper closed circular pipeline with threaded fitti | Ringleitung oben mit Verschraubung  |
| 005   | 033      | 408548         | rinsing nozzle                                     | Nachspüldüse                        |
| 005   | 034      | 408549         | lower closed circular pipeline with threaded fitti | Ringleitung unten mit Verschraubung |

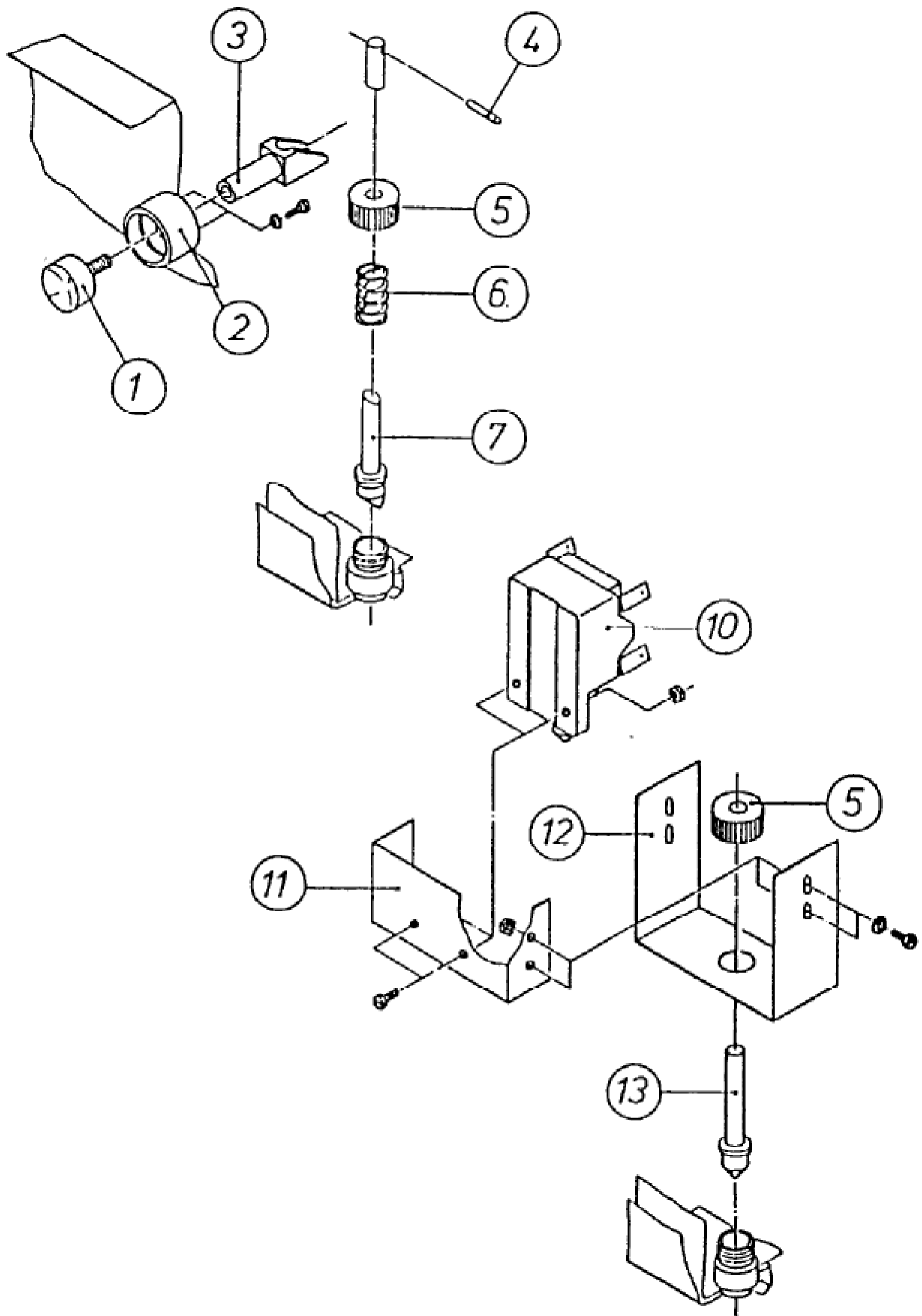


| Seite | Position | Kreditorart.Nr | GB                                      | DE                                      |
|-------|----------|----------------|---|---|
| 007   | 001      | 408543         | protection cap                          | Schutzkappe                             |
| 007   | 002      | 408550         | standoff bolt with insulating hose      | Abstandsbolzen mit Isolierschlauch      |
| 007   | 003      | 060840         | sealing ring RD 59x6                    | Rundschnurdichtung RD 59x6              |
| 007   | 004      | 408551         | pipe heating element                    | Rohrheizkörper                          |
| 007   | 005      | 408552         | insulation hose                         | Isolierschlauch                         |
| 007   | 006      | 408553         | terminal log for protection earth       | Schutzleiter-Anschlußfahne              |
| 007   | 007      | 408652         | overflow standpipe with rubber cone     | Standrohr mit Gummikonus                |
| 007   | 007      | 408928         | cap                                     | Kappe                                   |
| 007   | 008      | 408558         | rubber cone                             | Gummikonus                              |
| 007   | 009      | 408554         | lower part cpl. with counter nut gasket | Unterteil kpl. mit Gegenmutter Dichtung |
| 007   | 013      | 408653         | screwing with seal                      | Verschraubung mit Dichtung              |
| 007   | 015      | 408504         | suction hose                            | Ansaugschlauch                          |
| 007   | 016      | 260261         | hose clip                               | Schlauchklemme                          |
| 007   | 017      | 408655         | reducer                                 | Reduzierstück                           |
| 007   | 018      | 408656         | hose                                    | Schlauch                                |
| 007   | 019      | 408657         | hose clamp                              | Schlauchschelle                         |
| 007   | 020      | 408658         | discharge pump                          | Ablaufpumpe                             |
| 007   | 021      | 408659         | discharge hose l) complete              | Ablaufschlauch l) komplett              |
| 007   | 022      | 408660         | check valve                             | Rückschlagventil                        |
| 007   | 023      | 408661         | angle bracket                           | Befestigungswinkel                      |
| 007   | 024      | 408508         | rubber-metal buffer                     | Gummimetal-Puffer                       |
| 007   | 025      | 408662         | washer                                  | Runddichtung                            |
| 007   | 026      | 408663         | connection piece for hose               | Schlauch-Anschlußstück                  |
| 007   | 027      | 408664         | spacer disc                             | Distanzscheibe                          |
| 007   | 028      | 408665         | fastening plate                         | Befestigungsplatte                      |
| 007   | 029      | 408666         | flexible connection                     | Verbindungsschlauch                     |
| 007   | 030      | -408567        | electrode, compl. (Pos. 31-3)           | Elektrode kpl. (Pos. 31-3)              |
| 007   | 031      | 408560         | cap nut                                 | Hutmutter                               |
| 007   | 032      | 408561         | cap                                     | Kappe                                   |
| 007   | 033      | 408562         | contact piece                           | Kontaktstück                            |
| 007   | 034      | 408563         | spacer block                            | Distanzstück                            |
| 007   | 035      | 157055         | sealing ring                            | Dichtring                               |
| 007   | 036      | 408564         | washer                                  | Scheibe                                 |
| 007   | 037      | 408565         | hex nut                                 | Sechskantmutter                         |
| 007   | 038      | 408566         | seal cap                                | Dichtungskappe                          |

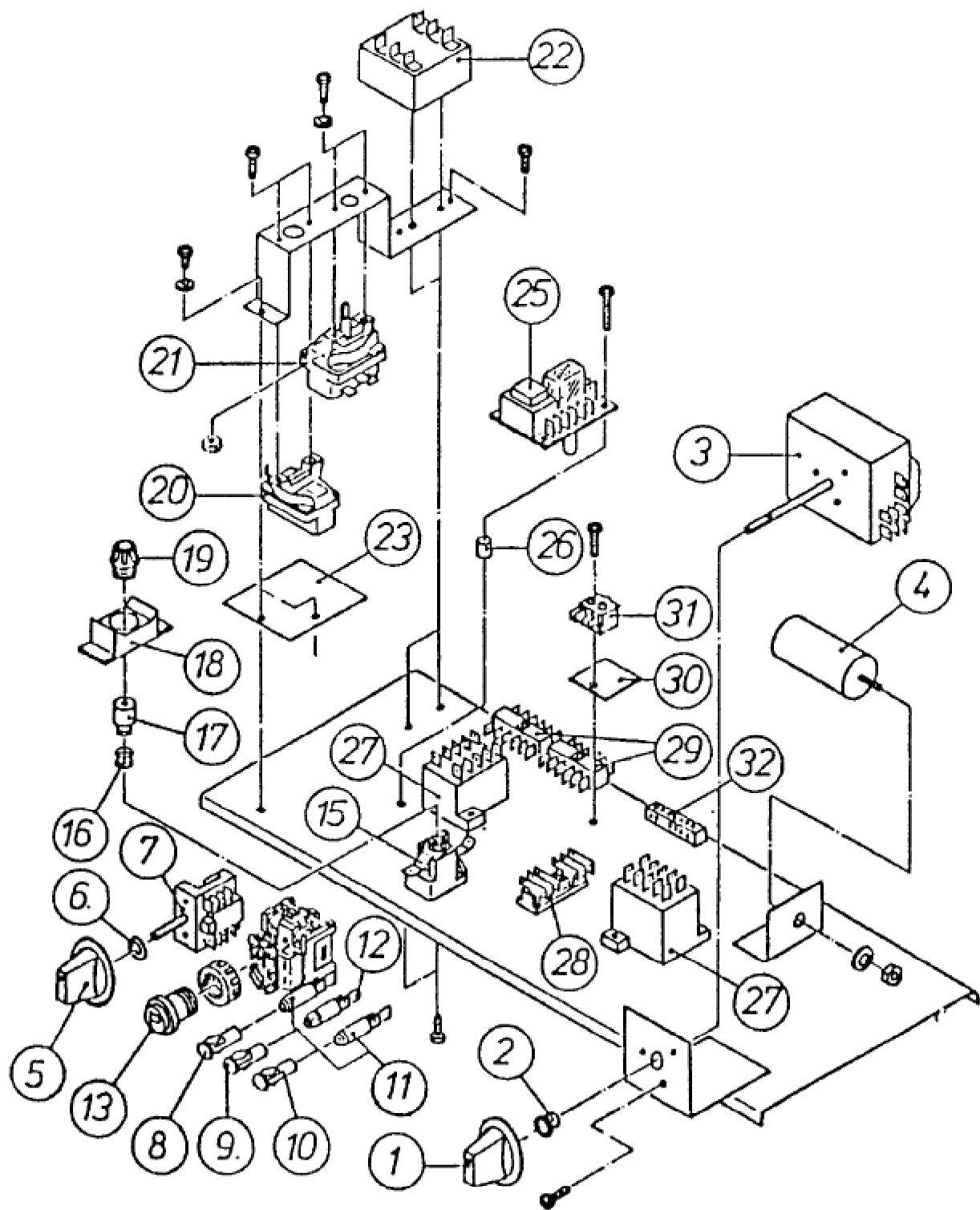




| Seite | Position | Kreditorart.Nr | GB                   | DE                 |
|-------|----------|----------------|----------------------|--------------------|
| 009   | 001      | 408923         | pump cover           | Pumpendeckel       |
| 009   | 002      | 408924         | round cord nng       | Rundschnurring     |
| 009   | 003      | 408925         | screw                | Schraube           |
| 009   | 004      | 408926         | round cord nng       | Rundschnurring     |
| 009   | 006      | 408823         | pump impeller compl. | Pumpenlaufrad kpl. |
| 009   | 008      | 408927         | pump housing         | Pumpengehäuse      |



| Seite | Position | Kreditorart.Nr | GB                                | DE                               |
|-------|----------|----------------|-----------------------------------|----------------------------------|
| 011   | 001      | 408568         | handle                            | Knopf (Griff)                    |
| 011   | 002      | 408569         | bolt guide                        | Schieberführung                  |
| 011   | 003      | 408570         | bolt                              | Schieber                         |
| 011   | 004      | 408571         | cylinder peg                      | Zylinderstift                    |
| 011   | 005      | 408572         | lid                               | Deckel                           |
| 011   | 006      | 408573         | pressure spring                   | Druckfeder                       |
| 011   | 007      | 408574         | clamp                             | Schließkloben                    |
| 011   | 007      | 408820         | door fastener (pos. 1-7) complete | Türverschluß (pos. 1-7) komplett |
| 011   | 010      | 408575         | limit switch                      | Endschalter                      |
| 011   | 011      | 408576         | switch bracket                    | Schalterwinkel                   |
| 011   | 012      | 408577         | angle bracket                     | Befestigungswinkel               |
| 011   | 013      | 408578         | actuating bolt                    | Schaltstift                      |



| Seite | Position | Kreditorart.Nr | GB                                     | DE                            |
|-------|----------|----------------|--|-------------------------------|
| 013   | 001      | 408579         | button for switch                      | Schaltknebel                  |
| 013   | 002      | 408580         | liner                                  | Bundbuchse                    |
| 013   | 003      | 408581         | programme control                      | Programmschaltwerk            |
| 013   | 004      | 408582         | capacitor                              | MP-Kondensator                |
| 013   | 005      | 408583         | button for switch                      | Schaltknebel                  |
| 013   | 006      | 408584         | felt washer                            | Filzscheibe                   |
| 013   | 007      | 408585         | switch                                 | Schalter                      |
| 013   | 008      | 408586         | transparent lens                       | Einbaulinse, transparent      |
| 013   | 009      | 408587         | green lens                             | Einbaulinse, grün             |
| 013   | 010      | 408588         | orange lens                            | Einbaulinse, orange           |
| 013   | 011      | 408589         | glow lamp                              | Glimmlampe                    |
| 013   | 012      | 408590         | glow lamp                              | Glimmlampe                    |
| 013   | 013      | 408819         | push-button / microswitch              | Drucktaster / Microschalter   |
| 013   | 015      | 408591         | neozed fuse base                       | Neozed Sicherungssockel       |
| 013   | 016      | 408697         | neozed fitting bush                    | Neozed Paßhülse               |
| 013   | 017      | 408593         | neozed fuse                            | Neozed Schmelzeinsatz         |
| 013   | 018      | 408594         | neozed cover                           | Neozed Abdeckung              |
| 013   | 019      | 350278         | neozed fuse carrier                    | Neozed Schraubkappe           |
| 013   | 020      | 408595         | temperature limiter for booster heater | Temperaturbegrenzer-Boiler    |
| 013   | 021      | 408596         | thermostat for booster heater          | Thermostat-Boiler             |
| 013   | 022      | 408597         | el. thermostat for tank heating        | Elektrothermostat-Tankheizung |
| 013   | 023      | 408598         | laminated cloth plate                  | Haftgewebeplatte              |
| 013   | 025      | 408599         | level regulator                        | Niveauregler                  |
| 013   | 026      | 408600         | insulating spacer sleeve               | Isolierstoff-Abstandshülse    |
| 013   | 027      | 408601         | contactor relay                        | Hilfsschütz                   |
| 013   | 028      | 408602         | panel connector                        | Flachst.-Verbindungsleiste    |
| 013   | 029      | 408603         | panel connector                        | Flachst.-Verbindungsleiste    |
| 013   | 030      | 408604         | insulating plate                       | Isolierplatte                 |
| 013   | 031      | 408605         | plug-screw clamp                       | Steck-Schraubklemme           |
| 013   | 032      | 185837         | bus bar for protective conductor       | Sammel-Schutzleiterschiene    |