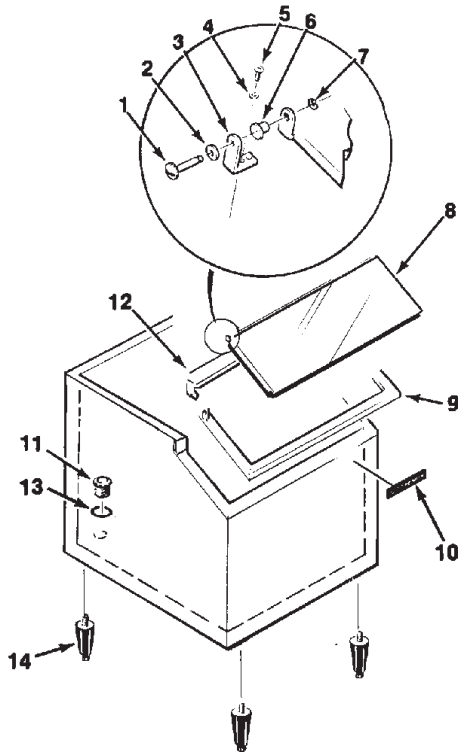


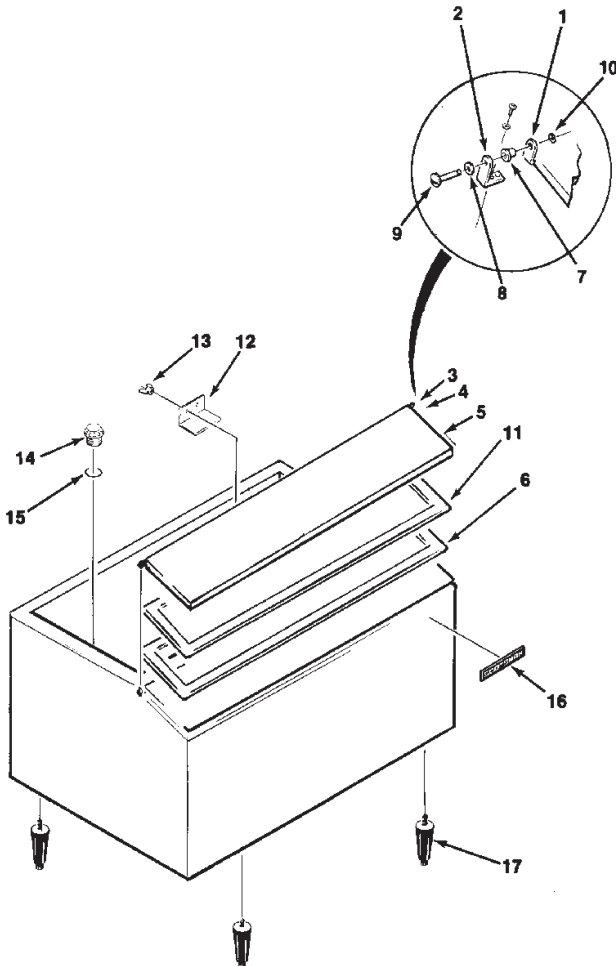
# Bins, Condensers, and Accessories Service Parts

## B650 & BH750



### B650 & RCB650/HTB650

| Item Number  | Part Number              | Description                         |
|--------------|--------------------------|-------------------------------------|
| 1            | 02-2806-01               | Shoulder screw                      |
| 2            | 02-2380-02               | Spacer                              |
| 3            | A31248-001               | Hinge member                        |
| 4            | 03-1417-14               | Washer                              |
| 5            | 03-1404-07               | Screw                               |
| 6            | 02-2380-01               | Hinge bushing                       |
| 7            | 03-1539-09               | E ring                              |
| 8            | A32648-001<br>13-0595-00 | Door - brown<br>Door gasket (48" re |
| q.)          |                          |                                     |
| 9            | 02-2822-01<br>02-2817-01 | Door frame (B650)<br>Door frame     |
| (RCB/HTB650) |                          |                                     |
| 10           | 15-0711-01               | Emblem                              |
| 11           | 02-2809-01               | Drain top                           |
| 12           | A31244-001               | Canopy                              |
| 13           | 13-0617-11               | O-ring                              |
| 14           | KLP2E<br>KLP2S           | Legs, black<br>Legs, nickel plated  |



### BH750

| Item Number | Part Number    | Description                        |
|-------------|----------------|------------------------------------|
| 1           | A29210-001     | Door hinge, left                   |
| 2           | A29213-001     | Bin hinge, left                    |
| 3           | A29210-002     | Door hinge, right                  |
| 4           | A29213-002     | Bin hinge, right                   |
| 5           | A29216-020     | Door                               |
| 6           | A29407-020     | Door frame                         |
| 7           | 02-2380-01     | Hinge bushing                      |
| 8           | 02-2380-02     | Spacer                             |
| 9           | 02-2806-01     | Shoulder screw                     |
| 10          | 03-1539-09     | E ring                             |
| 11          | 13-0595-00     | Door gasket                        |
| 12          | A29849-001     | Door support                       |
| 13          | 03-0255-00     | Wing nut                           |
| 14          | 02-2809-01     | Drain top                          |
| 15          | 13-0617-11     | O ring                             |
| 16          | 15-0711-01     | Emblem                             |
| 17          | KLP2E<br>KLP2S | Legs, black<br>Legs, nickel plated |