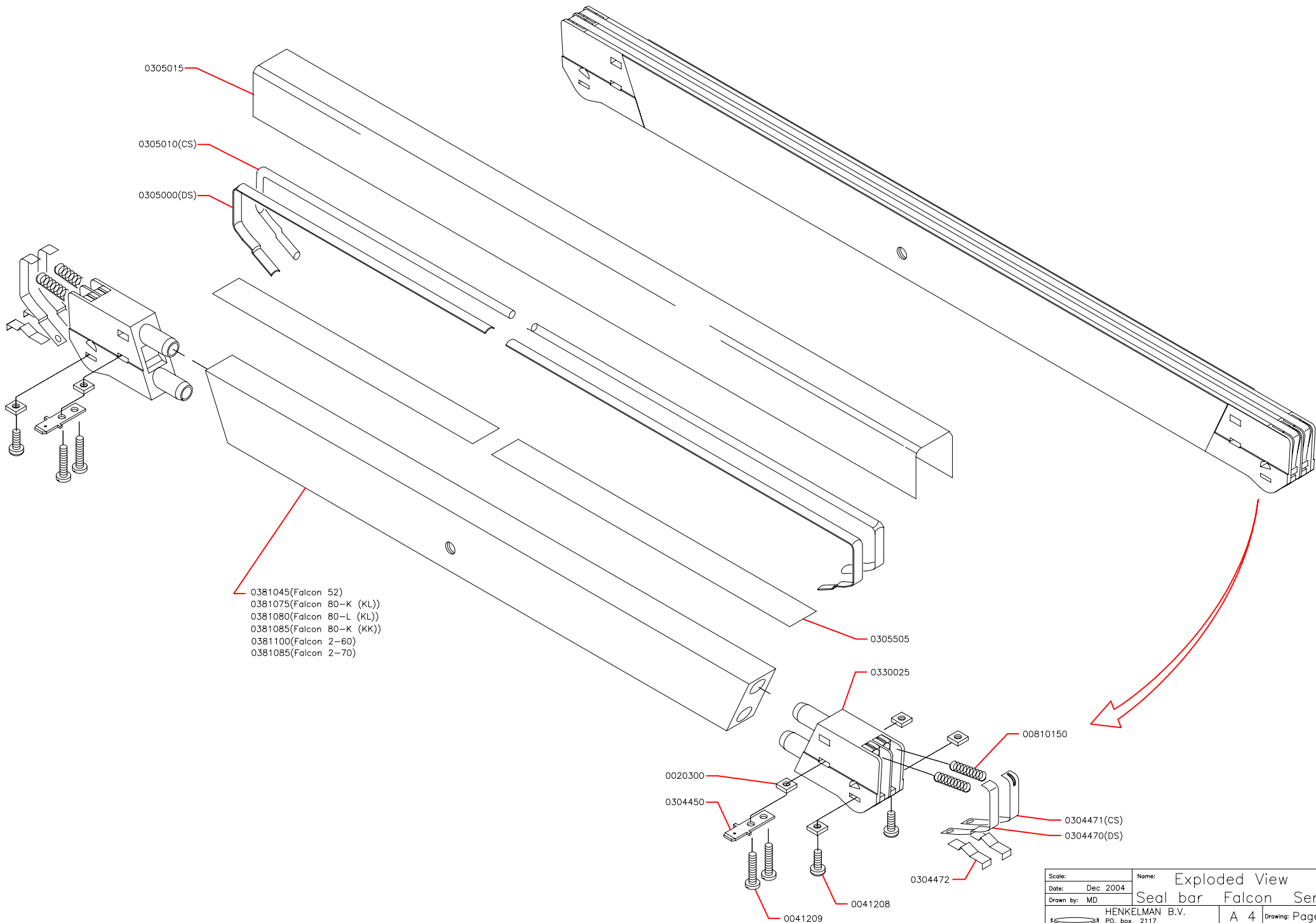
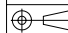


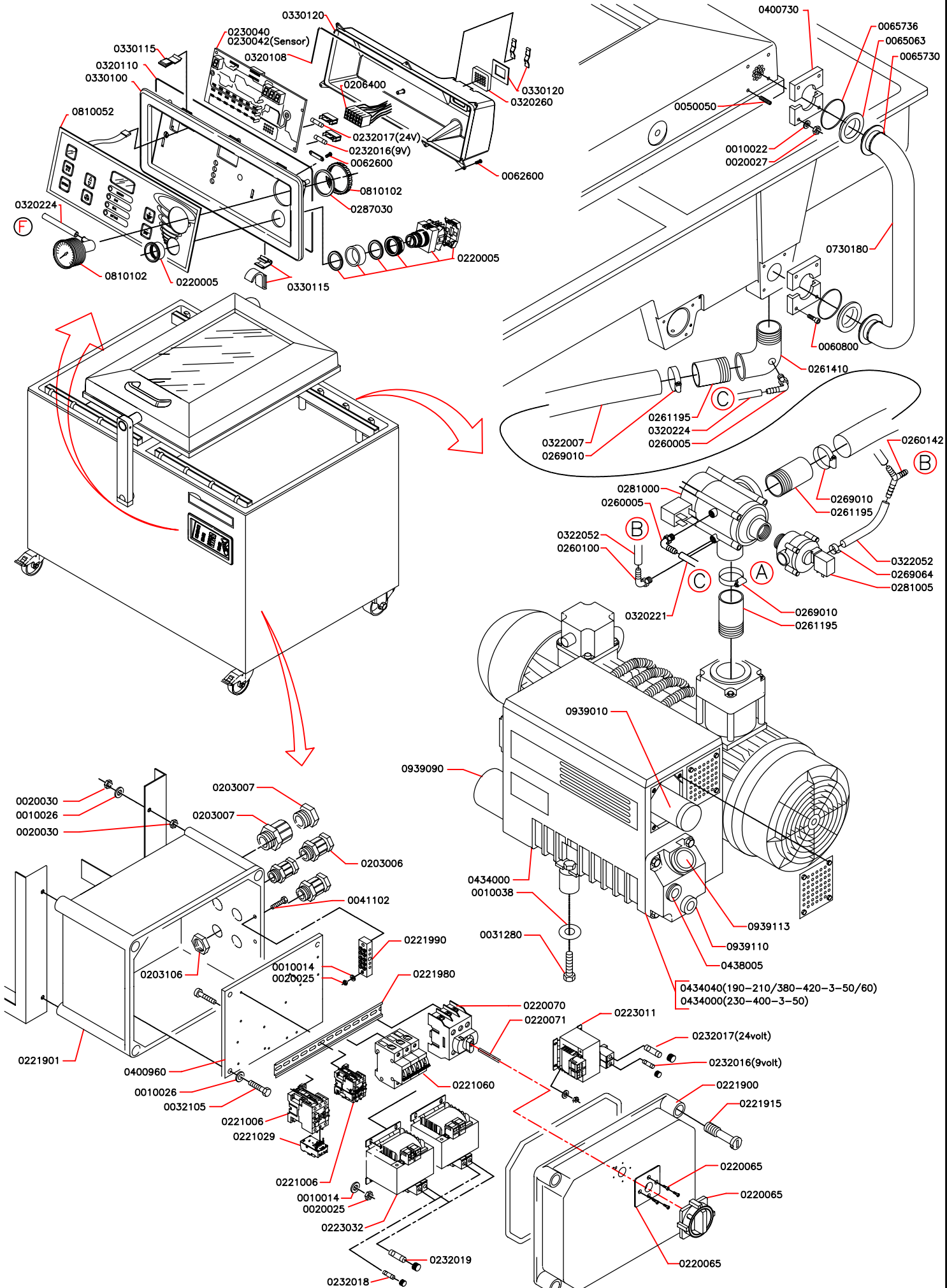
Scale:	Name:	Exploded View FALCON 2-70	
Date: May 2004			
Drawn by: MD			
HENKELMAN B.V. P.O. box 2117 5202 CC 's-Hertogenbosch Tel. ++31(0)73 - 6213671 Fax ++31(0)73 - 6221318 The Netherlands		A 4	Drawing: Page 1-2
		Rev. 02	
Ownership explicitly reserved. Multiplication or information to third parties in any form is not permitted without written permission of the owner.			

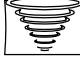




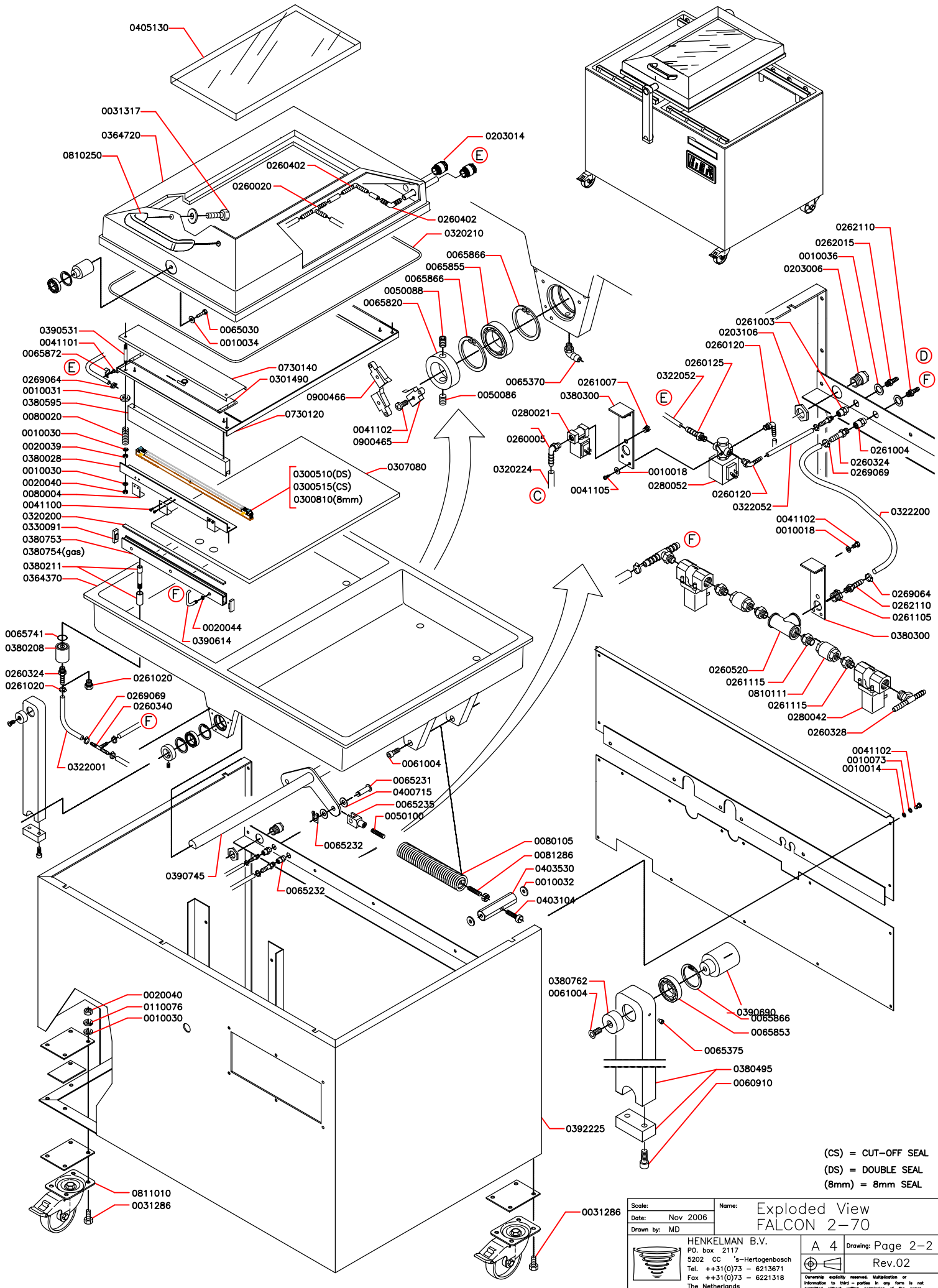
- 0381045(Falcon 52)
- 0381075(Falcon 80-K (KL))
- 0381080(Falcon 80-L (KL))
- 0381085(Falcon 80-K (KK))
- 0381100(Falcon 2-60)
- 0381085(Falcon 2-70)

Scale:	Name:	Exploded View	
Date: Dec 2004	Seal bar Falcon Series		
Drawn by: MD	A 4		Drawing: Page 1-1
HENKELMAN B.V. P.O. box 2117 5202 CC s-Hertogenbosch Tel. ++31(0)73 - 6213671 Fax ++31(0)73 - 6221318 The Netherlands		 Rev. 01 <small>Ownership explicitly reserved. Multiplication or information to third parties in any form is not permitted without written permission of the owner.</small>	



Scale:	Name:	Exploded View FALCON 2-70	
Date: Nov 2006			
Drawn by: MD			
 HENKELMAN B.V. P.O. box 2117 5202 CC 's-Hertogenbosch Tel. ++31(0)73 - 6213671 Fax ++31(0)73 - 6221318 The Netherlands		A 4	Drawing: Page 1-2
		Rev. 03	
<small>Ownership explicitly reserved. Multiplication or information to third parties in any form is not permitted without written permission of the owner.</small>			





(CS) = CUT-OFF SEAL  
(DS) = DOUBLE SEAL  
(8mm) = 8mm SEAL

Scale:	Name:	Exploded View	
Date: Nov 2006	FALCON 2-70		
Drawn by: MD	HENKELMAN B.V.		
P.O. box 2117			
5202 CC 's-Hertogenbosch			
Tel. ++31(0)73 - 6213671			
Fax ++31(0)73 - 6221318			
The Netherlands			
A 4		Drawing: Page 2-2	
		Rev.02	