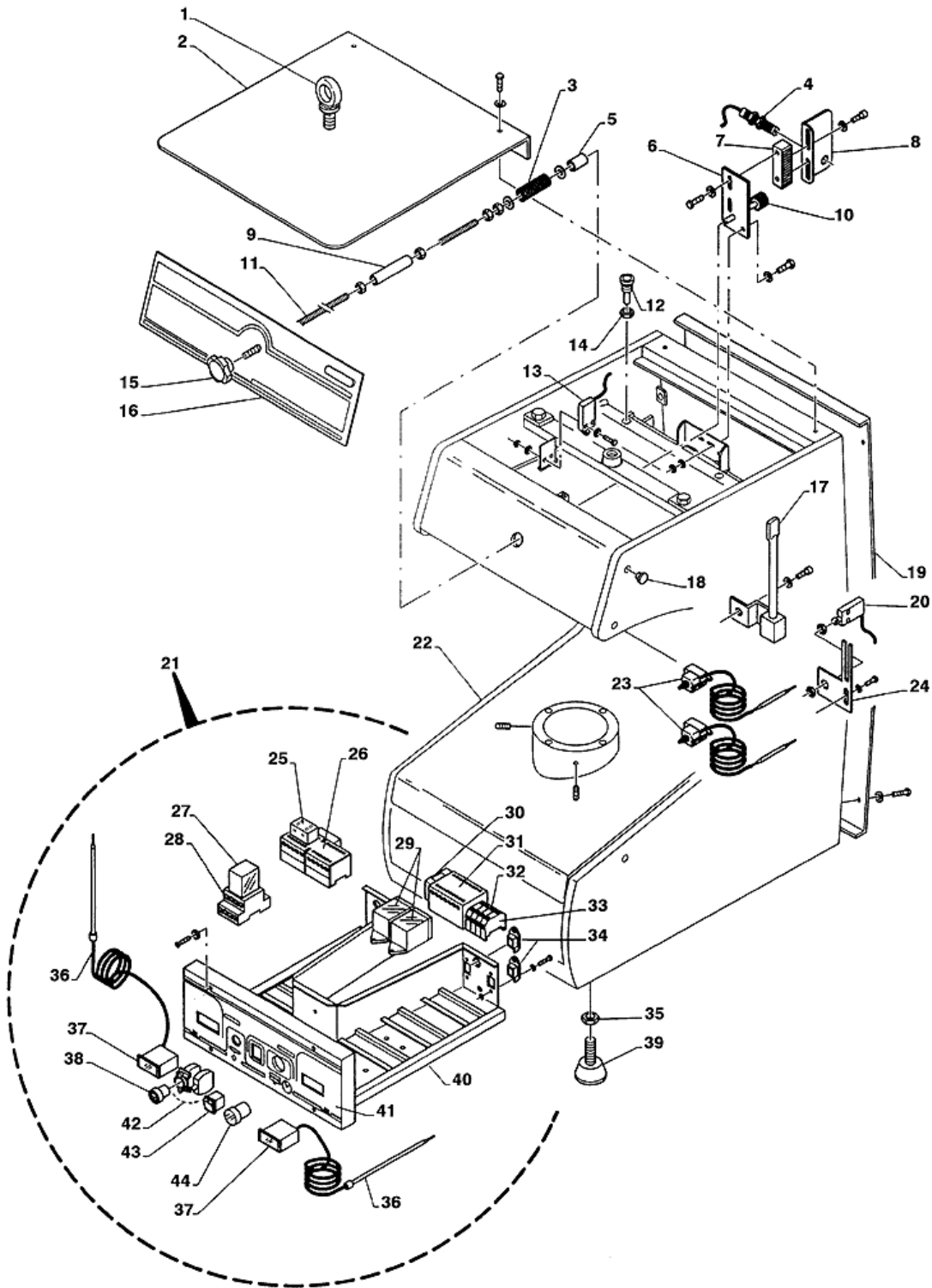




## Spare Parts Catalogue PF 45 MT-E

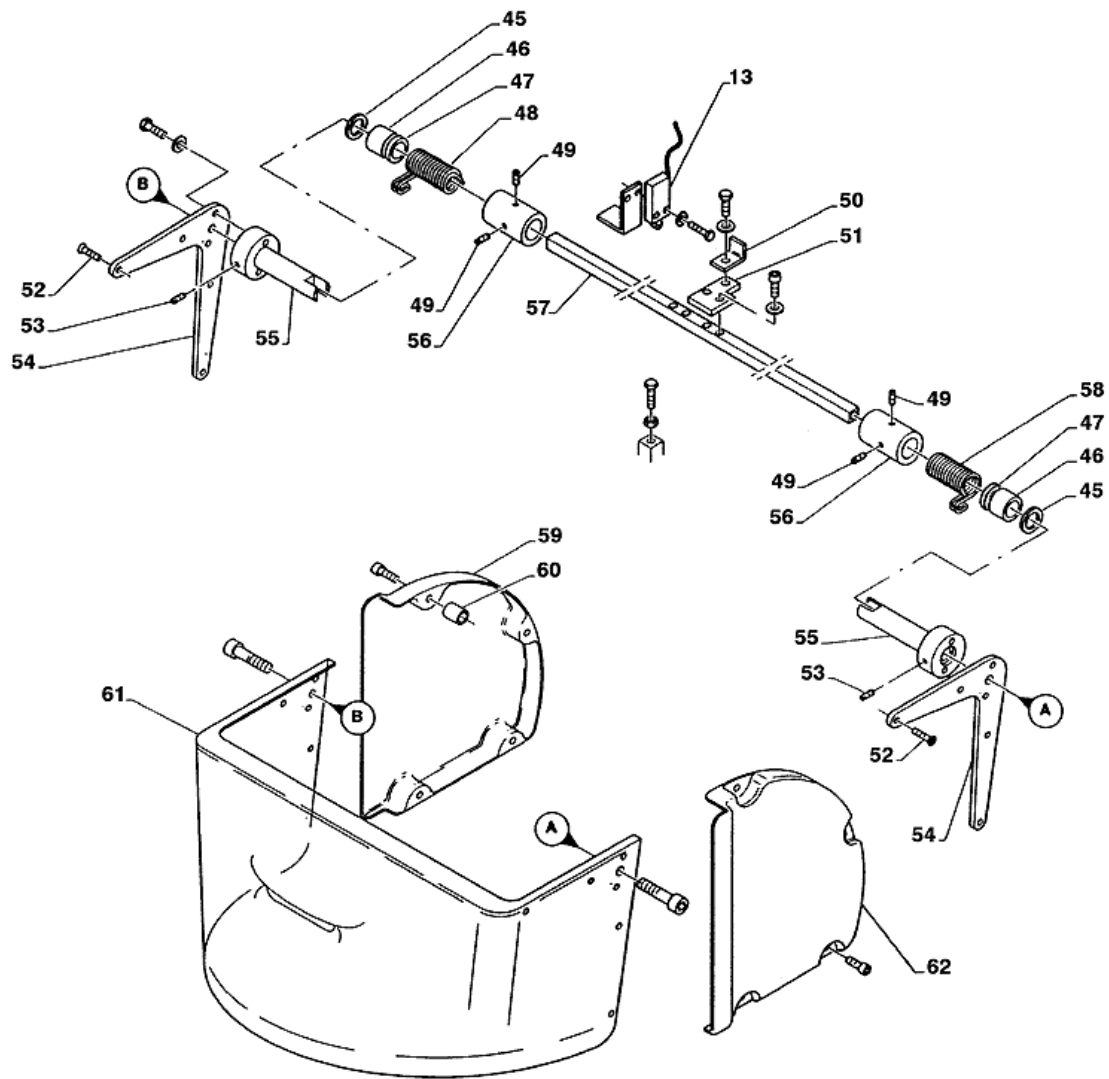
- 1 - Table 1
- 2 - Table 2
- 3 - Table 3
- 4 - Table 4
- 5 - Table 5
- 6 - Table 6





1 - Table 1

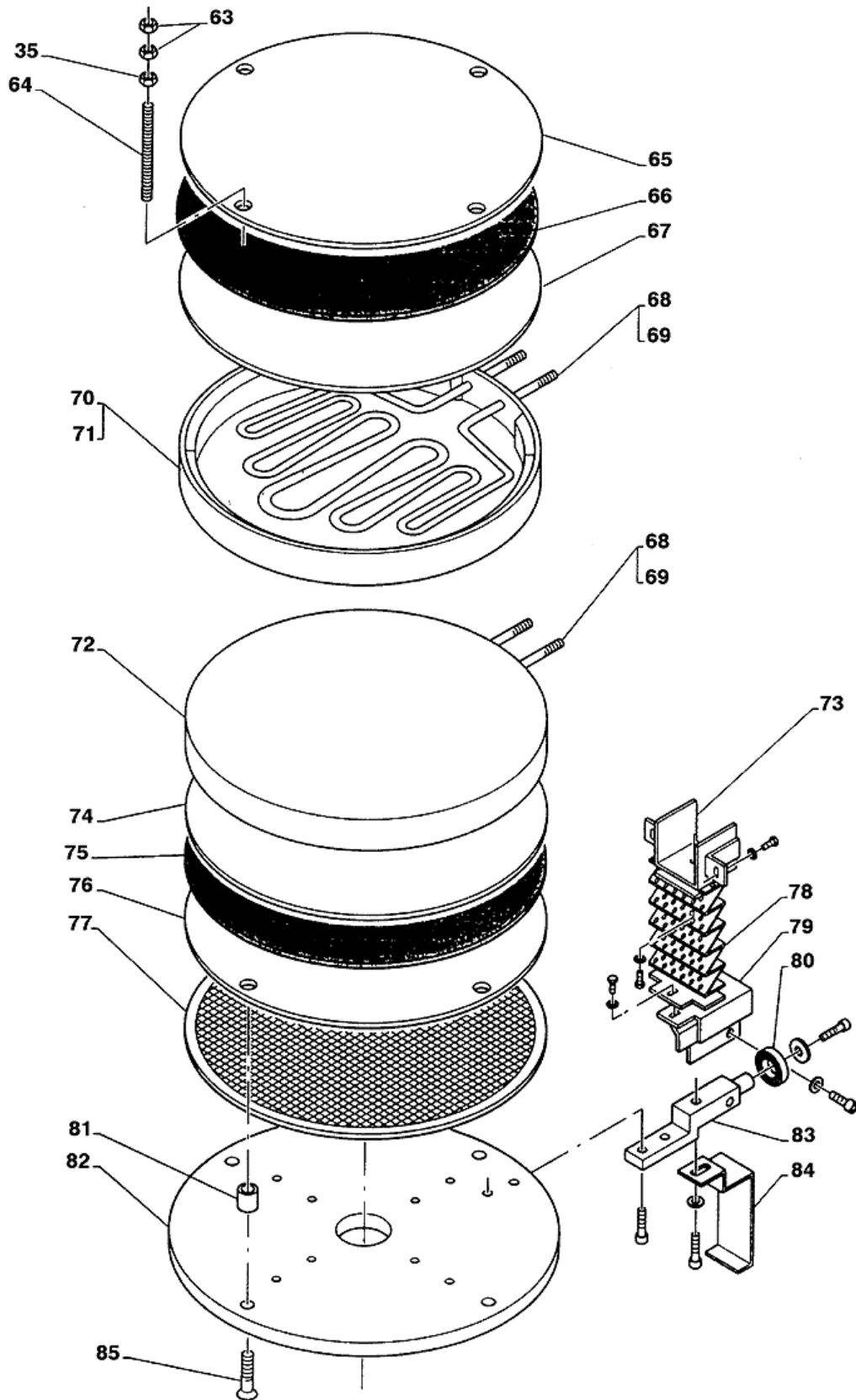
POSITION	CODE	DESCRIPTION
0001	P4S2100	GOLFARI MASCHI 16MA NERI ZINC
0002	SO18520	C.COPERCHIO PF45 MT VERN(J4P10)
0003	KD02100	MOLLA SPESSIMETRO PF33/45
0004	EN06800	INTERRUTTORE PROSS.SUP.PF45MT
0005	J3P1800	DIST.OTTONE L=10 D.12 F.10
0006	KC07720	STAFFA ALTIM.PF45HT-MT Z.P4K13
0007	KC05720	CREMAGL.MOD.1 PF/33-45 (O3K40)
0008	J4P05	MICROSWITCH BRACKET
0009	KC09020	GIUNTO B.FIL.A.PF45HT-MT(P4L25
0010	KC05810	PIGNONE MOD.1+BARRA M6 INOX
0011	P4L2210	BARRA FILETTATA PF45 HT-MT(1)
0012	KC12120	BUSS.REG.P.SUP.PF45MT Z(J4K06)
0013	EG04410	INT.PRECABL(FA4631)+C.LG.70CM
0014	MA07920	DADO M 20 UNI 5589 ZNT P/GR 6S
0015	AC02900	MANOP.SPESS.D=6 PF33-45+REG.
0016	AM34900	TARGA POL.SUP.125X430MM PF45MT
0017	SO188	PROXIMITY SWITCH BRACKET
0018	AD18300	COPRITESTA ROT.MM.12X1 CROM.PF
0019	SO18620	SCHIEN.PF45 MT VERN.G(J4P03)
0020	EG04010	MICROINT+CAVO P.FIL+ROT.CABL
0021	SO19020	COMPL.PANNELLO PF45MTE V.400
0022	SO182	BODY
0023	ED04900	TERMOST.SICURA 250°PF33MT+PF45
0024	P4L1310	SUPP.MICRO ARRESTO INF.45HT-MT
0025	EN13100	CONTATTO AUSILIARI BGX10.11
0026	EN13900	TEL.BGR0901A 230V50-60 INT.EST
0027	EN01600	MINI RELE'INN.230VAC BM2+PF45
0028	EN01700	ZOCC.A VITE 1-2 SCAMBI X EN016
0029	EN06900	RELE'FASTON 250V 30A POTENZA
0030	EN07300	ANTIDISTURBO RC 047/220 400V
0031	EN08200	REMOTE SWITCH
0032	EP00800	MORSETTO COMPON.WK 6/U GRIGIO
0033	EP03800	MORSETTO TERRA GI/VE WK 6 SL/U
0034	AD00600	CABLE PRESSING ELEMENT+SCREWS -
0035	MA05200	DADO 12 MA INOX BASSO 5589
0036	ED06600	TERMOC"J"D.2X250+CAVO 2,5MT
0037	ED07700	TERM.IC 912 TCJ 230V.PR.SP.OEM
0038	EF10010	PULS.AVV.PF45HT-PF33MT TN+PF
0039	AD10900	STAND
0040	J4E0020	COMPL.TARGA COMANDI 45(SO19020
0041	AM34800	TARGA POL.INF.135X445MM PF45MT
0042	EF09610	ASSEMBLY EMERG. PUSHBUTT. BLOCK
0043	EF00400	INTERR.BIP.LUM.ARANCIO V.400
0044	EC04300	TEMPORIZZ.MBA22 MM 10S 110-240





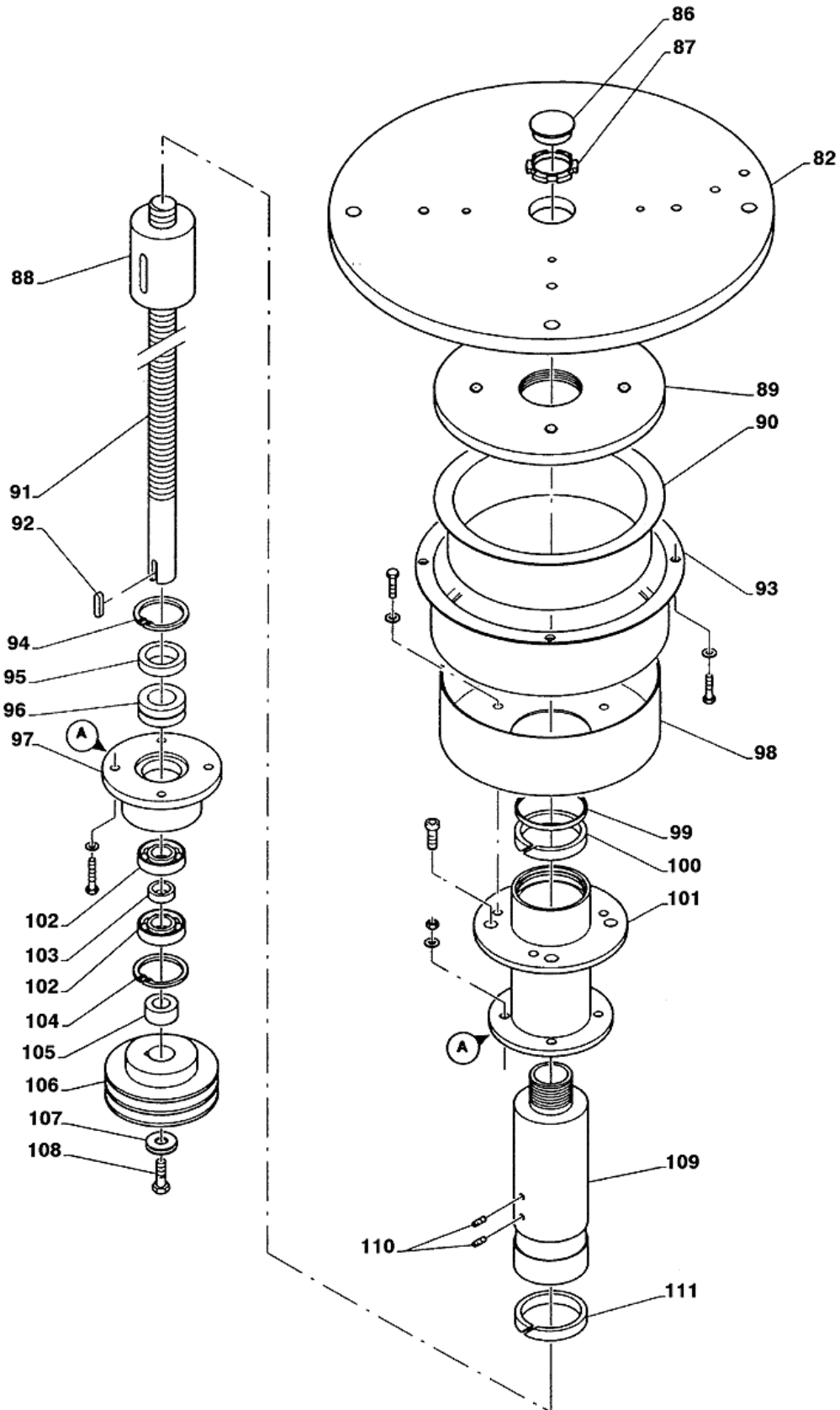
2 - Table 2

POSITION	CODE	DESCRIPTION
0013	EG04410	INT.PRECABL(FA4631)+C.LG.70CM
0045	AB12000	RALLA TW22SF2 223801,5 PF45MT
0046	AB13300	GUSCIO A RULLINI INA HK 2212
0047	J4P5010	RONDELLA X CAPOTE PF.450 MT.
0048	KD01900	MOLLA RICHIAMO F.3-31 SX GREZZ
0049	MD06400	GRANO 8X16 C/PUNTA 5927 14.9
0050	J4P1410	ELLE FERMO CAPOTE PF45MT
0051	SO18020	PIATTO SOL.MICRO Z.PF45M(J4K01
0052	MB28200	VITE TBEI INOX A2 SCEW 6X12 FL
0053	MD03000	5927 VITI GRANI P/CONICA 6X25
0054	J4P1520	STAFFA S.CAP.DX-SX PF45MT V.G.
0055	AE16720	PERNO CAPOTE PF45MT CROM(J4K09
0056	AD18120	BOCC.REG.MOLLA CAPOTE(J4K08)Z.
0057	AE16620	ASTA PERNO CAPOTE PF45MT-J4K07
0058	KD01800	MOLLA RICHIAMO F.3-31 DX GREZZ
0059	J4L0600	FIANCATA LAT.SX IN VEDRIL SP4
0060	AE16920	DIST.PROTEZ.LAT.PF45MT(J4K14)C
0061	J4L0400	CARTER FRONT.PF45MT IN VEDRIL
0062	J4L0500	FIANCATA LAT.DX IN VEDRIL SP4



**3 - Table 3**

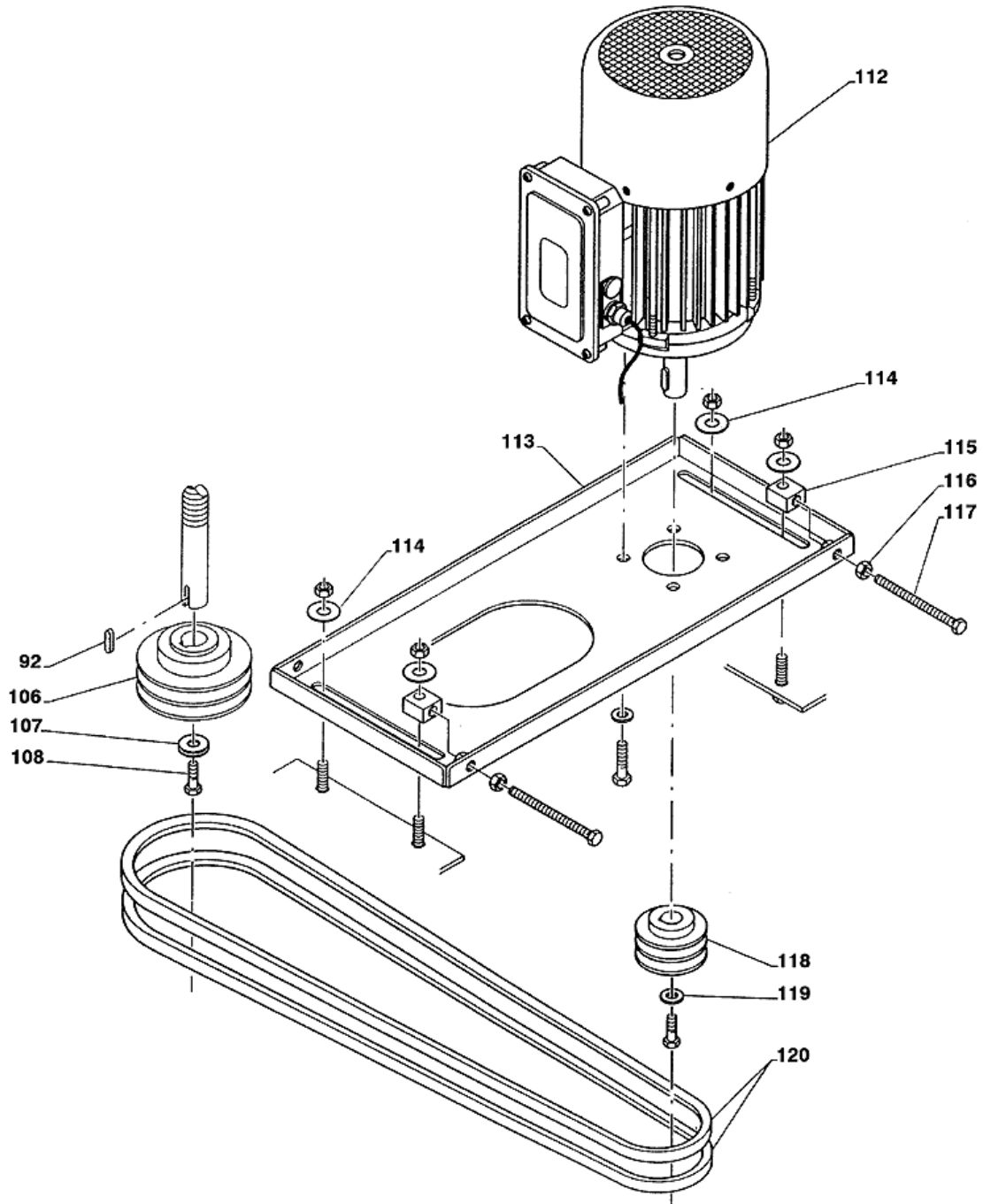
POSITION	CODE	DESCRIPTION
0035	MA05200	DADO 12 MA INOX BASSO 5589
0063	MA10200	DADO 12 MA 8.8 UNI 5589
0064	J4K3010	BARRA FILETT.SOST PIATTO 45 MT
0065	J4P25	UPPER PLATE COVER DISC (04P10)
0066	AL27400	DISCO SUP.D.381 PF45(SIALPACK)
0067	KA00410	DISCO FISS.RESIST.SUP.PF45+PZ
0068	EE16200	RESIST.W.3000 V.400 PF45HT+MT
0069	EE16300	RES.W.3000 V230 PF45HT/MT V230
0070	KB06300	PIATTO SUP.D445 SV2MM FE.CR.S.
0071	KB06600	PIATTO SUP.D445 PIANO FE.CR.S.
0072	KB06200	PIATTO INF.D.460 FERRO CROM.S.
0073	P4L5310	PROT.NE RESISTENZE SUP.HT/MT 1
0074	KA00510	DISCO FISS.RESIST.INF.PF45+PZ
0075	AL27500	DISCO INF.D.378 PF45(SIALPACK)
0076	J4P2600	COP.PIASTRA INF.PF45 P.FERRO
0077	P4L2710	C.ANELLI CONTENIM+RETE PF45
0078	AL17700	SOFFIETTO POSTER.PF45 MT L=80
0079	P4L5210	PROTEZIONE INF.RESIST.45 HT-MT
0080	AB04700	CUSCINETTO SKF 6004 ZZ KG.20
0081	P4K2120	DIST.P.INF.PF45HT+MT CR(P4K21)
0082	KC08420	DISCO P/P.INF.45HT-MT CR-P4K12
0083	KC08020	PERNO G.PIATTO INF.PF45I(P4K10)
0084	J4P1310	STAFFA INF.PROT.FERITOIA
0085	MB26400	TE 8 X 50 SCREW





**4 - Table 4**

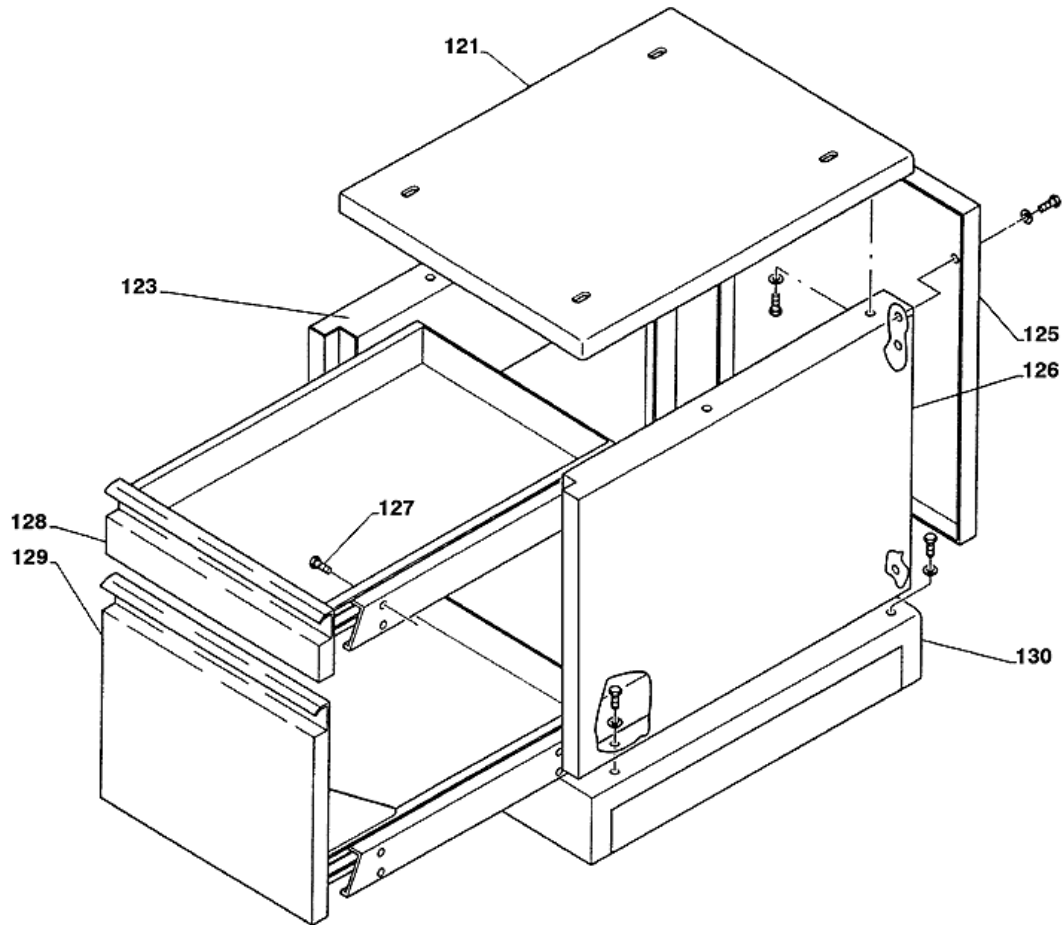
POSITION	CODE	DESCRIPTION
0082	KC08420	DISCO P/P.INF.45HT-MT CR-P4K12
0086	AD17400	TAPPO D.32X6 POLIET.F30(2)PF45
0087	KC02520	GHIERA BLOCC.D.PF45 CROM.O4M01
0088	KC12700	CHIOCCIOLA THK BT2510BZZ PF45M
0089	KC08320	FLANGIA F.PIATTO INF.CR(P4K19)
0090	AL17420	PROTEZ.CIL.PARTE (B)-J4L02
0091	KC12620	VITE SENZA FINE L=360 PF45MT
0092	MD09820	LINGUETTA 6X4X30 (MD046)RETTI
0093	AL17520	PROTEZ.CIL.PARTE A V.(J4L01)
0094	MC11600	ANELLO SEEGER D.60 INTERNO
0095	AE16520	DIST.APP.C.ASS.D.40X10(J4K05)Z
0096	AB12100	CUSCINETTO 51204 PF45 MT
0097	KC12020	BUSS.SUPP.CUSC.PF45MT Z(J4K03)
0098	AL17620	PROTEZ.SIC.CIL.P.INT.(C)-J4L03
0099	AD18200	PARAOLIO X CAMICIA J4K10(KC125
0100	J4K1200	PATT.X CAMICIA EST.J4K10 (L)
0101	KC125	OUTER SHEATHING
0102	AB04800	BEARING MOD. 6204 ZZ SKF
0103	AE16420	DIST.C.RAD.D.25X9,8 Z.(J4K04)
0104	MC03500	ANELLO SEEGER D=47 X INTERNO
0105	AE13120	DIST.D.30X12 F.20,1 Z.(I2K33)
0106	KC12200	PULEGGIA COND.D.120/G.2 PF45MT
0107	AE16020	DIST.INT.C.28X7 PF33MT Z.J3K03
0108	MB371	TE 10 X 30 SCREW
0109	J4K1100	STELO CILINDRO PF45MT
0110	KC12400	VITE S/TESTA CAVA ES.5 FIL.10
0111	J4K1300	PATT.X STELO J4K11 CILINDRO(C)



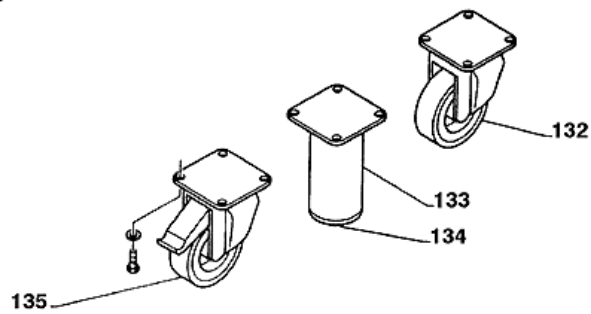


5 - Table 5

POSITION	CODE	DESCRIPTION
0092	MD09820	LINGUETTA 6X4X30 (MD046)RETTI
0106	KC12200	PULEGGIA COND.D.120/G.2 PF45MT
0107	AE16020	DIST.INT.C.28X7 PF33MT Z.J3K03
0108	MB371	TE 10 X 30 SCREW
0112	ES16800	MOT.MA90 KW.0,55 V230/400T+1T
0113	SO18420	SUPP.MOTORE PF45MT ZINC(J4P04)
0114	MC08700	RONDELLA PIANA 10X30 INOX
0115	SO18120	BLOCC.TENDIMOT.PF45MT Z(J4K02)
0116	MA023	LOWER M8 NUT
0117	MB362	M8 X 60 STAINLESS STEEL SCREW
0118	KC12300	PULEGGIA MOTORE D.50/G.2 PF45M
0119	MC04100	RANELLA PIANA 8X32 F.L.INOX
0120	AD18400	CINGHIA TRAPEZOIDALE AX40 PF45



SU157 {  
 121  
 122  
 123  
 126  
 130





6 - Table 6

POSITION	CODE	DESCRIPTION
0	SU157	
0121	SO195	UPPER SURFACE
0123	SO275	LEFT-HAND SIDE
0125	SO194	REAR BOARD
0126	SO274	RIGHT-HAND SIDE
0127	MB20700	TPS M4 X 10 SCREW
0128	SU07600	CASSETTO CON GUIDE 525X650X110
0129	SU07700	CASSETT+GUIDE 525X650X354H
0130	SO193	BASE
0132	AC068R0	WHEEL
0133	BVTG7	145MM FOOT
0134	AD11600	PIEDINO IN GOMMA D.60 NERO SUP
0135	AC080R0	WHEEL