

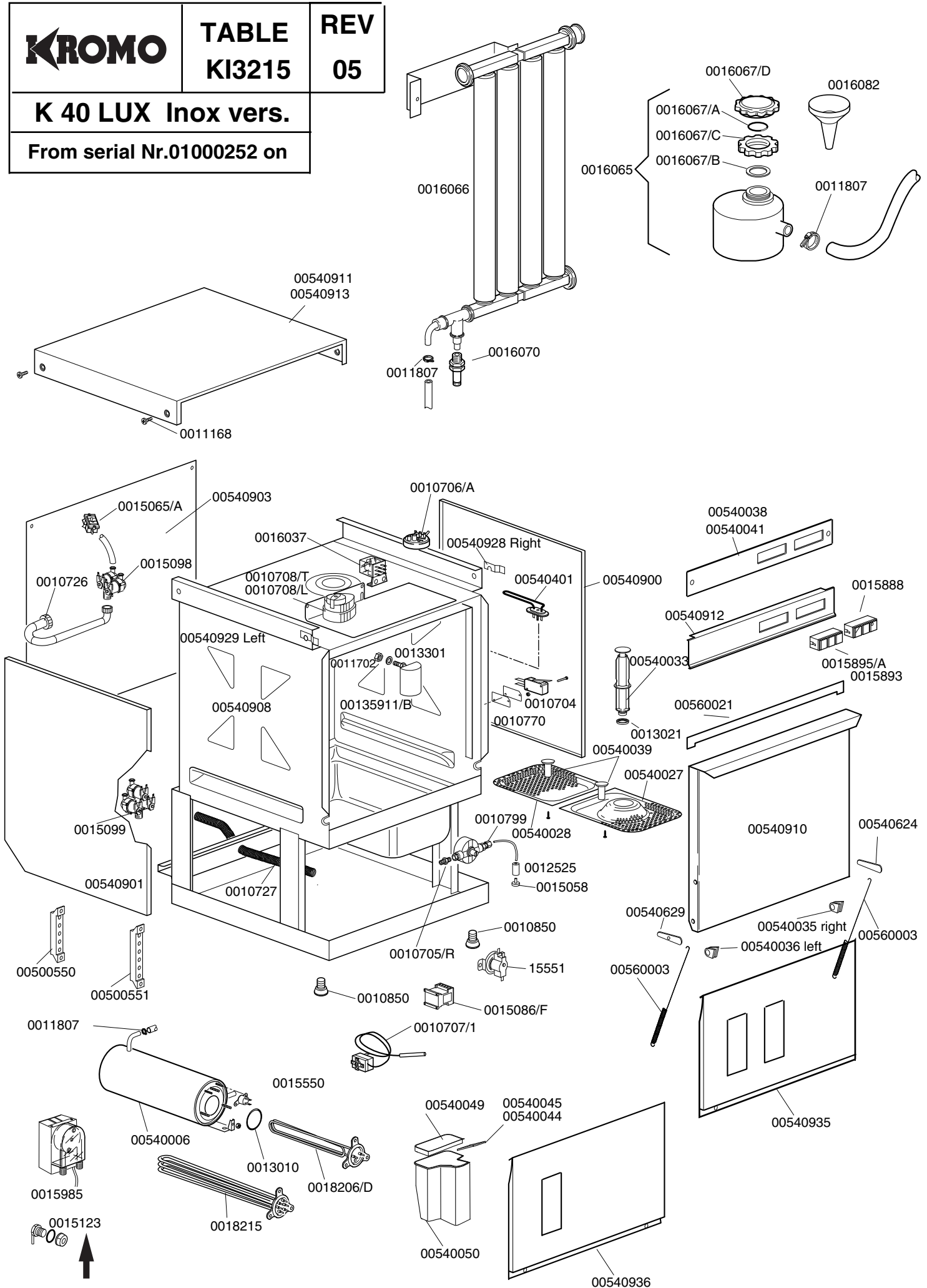
KROMO

**TABLE
KI3215**

**REV
05**

K 40 LUX Inox vers.

From serial Nr.01000252 on



K 40 LUX

TABLE KI3215

CODE	DESCRIPTION	CODE	DESCRIPTION
0010704	16A door safety microswitch	00540401	1200W 230V heating element
0010705/R	Pipe connection D.8	00540624	Right manoeuvring arm for door
0010706/A	"EL" pressure switch	00540629	Left manoeuvring arm for door
0010707/1	0-90°C thermostat	00540900	Right side
0010708/L	Rapid timer 120" 230/50	00540901	Left side
0010708/T	Rapid timer 150" 230/50 thermostop	00540903	Back
0010726	1,5x3/4 m. h20load pipe	00540908	Complete body
0010727	1,5 m. h20 drain liner	00540910	Complete door
0010770	Insulator for microswitch	00540911	Front plastic cover
0010799	Shining product dosing device type 1000 d.8	00540912	Neutral panel control inox
0010850	Plastic adjustable small foot	00540913	Front stainless steel cover
0011168	M6x12 TC stainless steel screw	00540928	Right cover holder for inox version
0011702	M8 stainless steel nut	00540929	Left cover holder for inox version
0011807	12/20 stainless steel clamps	00540935	Under door double additive container
0012525	Counter-weight for small filter	00540936	Under door single additive container
0013010	OR heating element gasket	00560003	Door spring
0013021	DEM 40 gasket	00560021	Door seal
0013301	14x8x1,5 diam. Fig. LS059 gasket	0015123	Detergent elbow injector ←
00135911/B	L=75 blu air trap		
0015058	G.058 small shining product suct. filter		
0015065/A	Cable-fastener with screw		
0015086/F	Contacto 230V 50/60Hz 4C faston		
0015098	Double solenoid valve		
0015099	Triple solenoid valve		
0015550	Conveyor safety thermostat		
0015551	Fixed tank thermostat deflecting		
0015888	Start warn.light gray q 0/1 swith		
0015893	Bip.push.butt. Wat. Soft.-empty gray		
0015895/A	Push button dev cold+Temperature light+fix		
0015985	Electrical dosing device 3Lt/h		
0016037	V 1-2 relay		
0016065	Salt container		
0016066	1 liter 4 element decalcifier		
0016067/A	OR for salt container plug		
0016067/B	Salt container gasket		
0016067/C	Salt container ferrule		
0016067/D	Salt container plug		
0016070	CFD complete non-return valve		
0016082	Funnel		
0018206/D	2800W 220V heating element		
0018215	4KW 230V boiler heating element		
00500550	3 poles FV110 terminal board		
00500551	6 poles FV122 terminal board		
00540006	Boiler		
00540027	Surface semifilter without hole		
00540028	Surface se,ofooter with hole		
00540033	Overflow		
00540035	Right hinge shaft bush		
00540036	Left hinge shaft bush		
00540038	Neutral silkscreen processed grill		
00540039	Surface filter handle		
00540041	Silkscreen processed grill		
00540044	Front lid for additive doser container		
00540045	Front lid for detergent doser container		
00540049	Posterior lid for additive doser container		
00540050	Additive doser container		

KROMO

**TABLE
KI3230**

**REV
01**

EXCEL K 40 LUX

