

HC400 Parts List

Table of Contents

Cabinet

Air Cooled

Water Cooled

Evaporator

Control Box

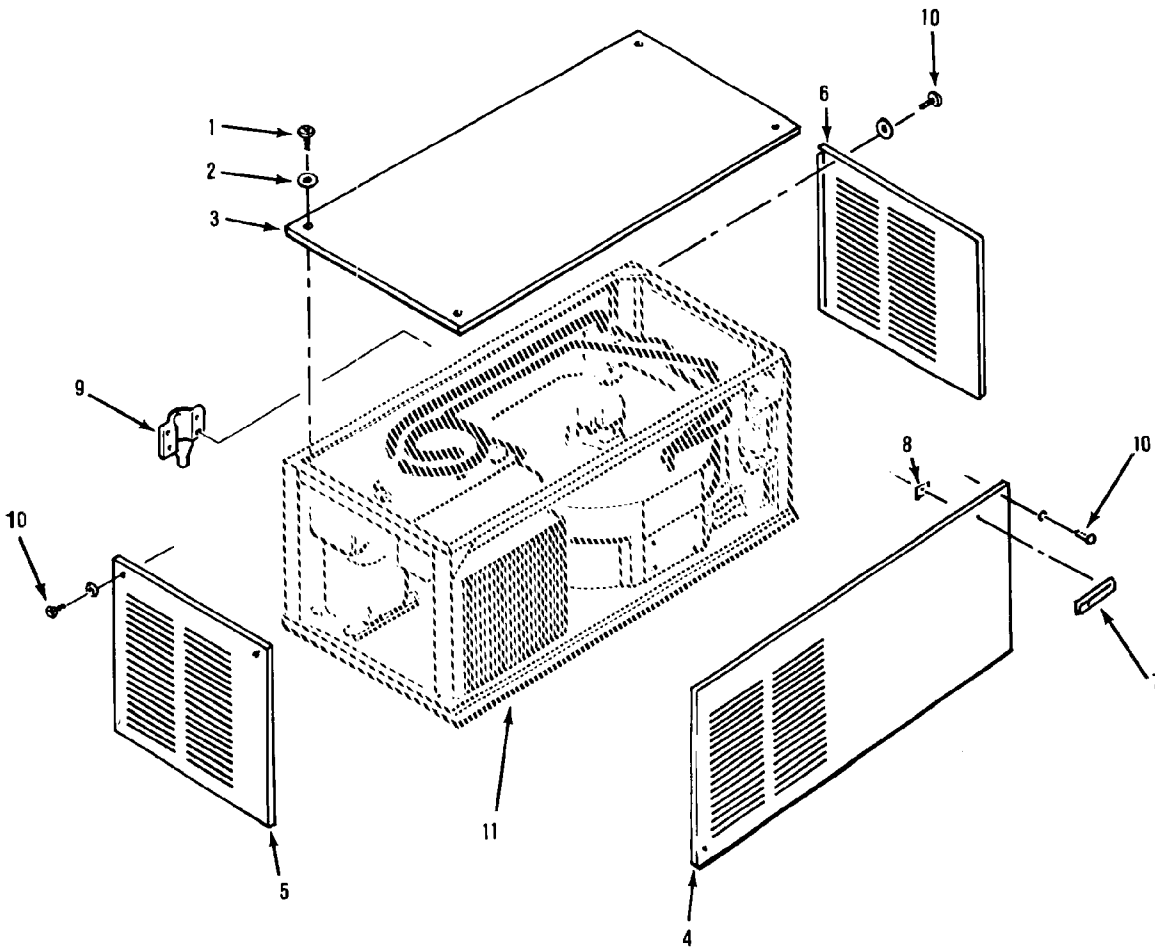
Wiring Diagrams

HC400

PARTS ILLUSTRATIONS AND PARTS LISTS

HC400 CABINET ASSEMBLY PARTS LISTING

1	Screw, No. 8 x 1-1/4 Flat Hd. Stainless Steel	03-1419-09	6
2	Lockwasher 1/4 Counter Sunk External Tooth	03-1417-08	10
3	Panel, Top (Enamel)	A23784-006	1
	Panel, Top (Stainless Steel)	A23784-002	1
4	Panel, Front (Enamel)	A23785-005	1
	Panel, Front (Stainless Steel)	A23785-002	1
5	Panel, Left Side (Enamel)	A23782-006	1
	Panel, Left Side (Stainless Steel)	A23782-002	1
6	Panel, Right Side (Enamel)	A23783-006	1
	Panel, Right Side (Stainless Steel)	A23783-002	1
7	Logo Plate, Scotsman	15-0711-01	1
8	Clip	03-0271-00	2
9	Base Drain	02-2296-01	1
10	Screw, No. 8 x 1/2 Stainless Steel	02-1404-10	8
11	Cabinet Frame Assembly	A26178-001	1



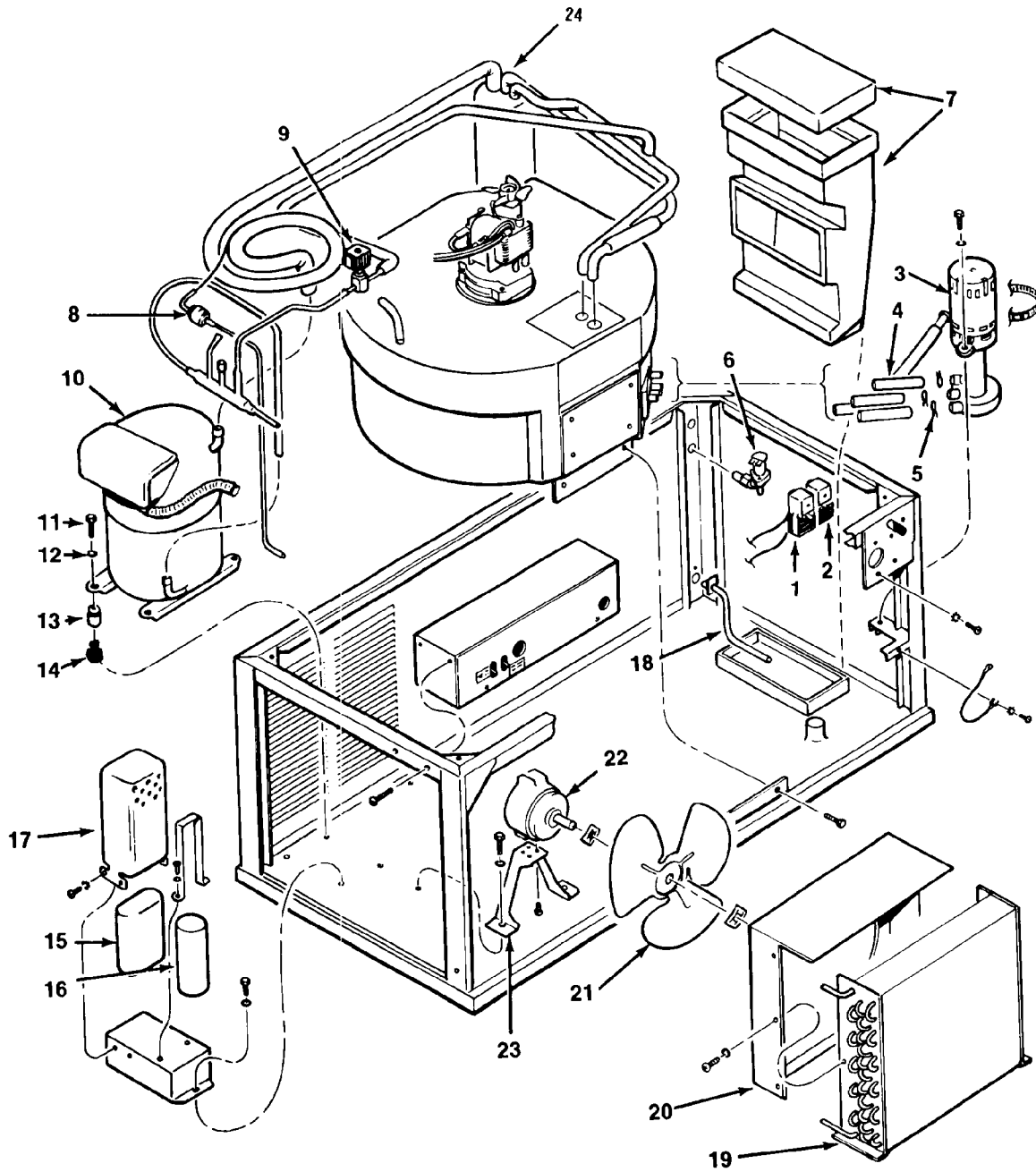
HC400 Cabinet Assembly.

HC400
PARTS ILLUSTRATIONS AND PARTS LISTS

HC400 MAJOR ASSEMBLIES AIR-COOLED PARTS LISTING

1	Cube Size Control	11-0345-02	1
2	Thermostat, Bin	11-0353-03	1
3	Pump Assembly, Water	12-1930-01	1
4	Tube, Tygon (Order by the foot)	13-0674-07	4
5	Clamp, Hose	02-1358-00	4
6	Solenoid Assembly, Water	12-1900-07	1
	Fitting	16-0723-01	1
7	Chute, Cube, includes cover	A27821-001	1
8	Drier	02-2426-01	1
9	Solenoid Valve, Hot Gas	12-2135-01	1
10	Compressor Assembly - 115/60/1	18-4200-01	1
	Compressor Assembly - 208-230/60/1	18-4200-02	1
	Compressor Overload - 115/60/1	18-4200-40	1
	Compressor Overload - 208/230/60/1	18-4200-41	1
11	Screw, No. 5/16 x 18 Hex Machine	03-1405-20	1
12	Washer	03-1407-07	4
13	Sleeve	18-2300-26	4
14	Grommet, Mounting	18-2300-27	4
15	Capacitor, Run - 115/60/1	18-1902-45	1
	Capacitor, Run - 208-230/60/1	18-1902-29	1
16	Capacitor, Start - 115/60/1	18-1901-09	1
	Capacitor, Start - 208-230/60/1	18-1901-15	1
17	Relay - 115/60/1	18-1903-33	1
	Relay - 208-230/60/1	18-1903-29	1
18	Drain Tube Assembly	<i>No Number</i>	1
19	Condenser, Air-Cooled	18-3703-01	1
20	Shroud, Fan	02-2352-01	1
21	Fan Blade - Includes Mtg. Hwd.	18-0625-00	1
22	Motor, Fan - Includes Mtg. Hwd. - 115/60/1	12-1681-01	1
	Motor, Fan - 208-230/60/1	12-1681-01	1
23	Mount, Fan Motor	A25548-001	1
24	Accumulator Suction Line Assembly	A28803-020	1
25	Inlet Valve Fitting	16-0723-01	1

HC400
PARTS ILLUSTRATIONS AND PARTS LISTS



HC400 Major Assemblies Air-Cooled.

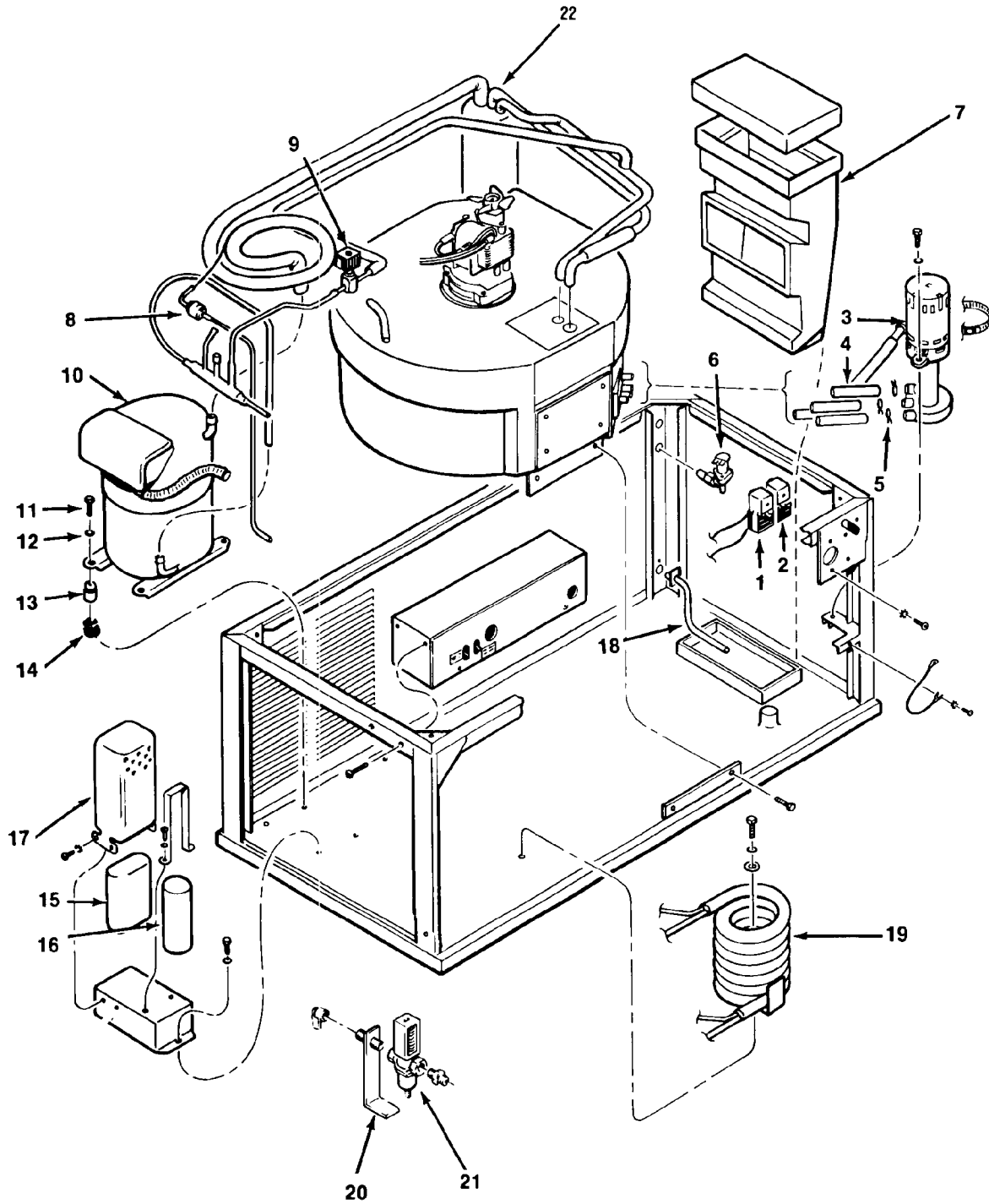
HC400

THE PARTS ILLUSTRATIONS AND PARTS LISTS

HC400 MAJOR ASSEMBLIES WATER-COOLED PARTS LISTING

1	Cube Size Control	11-0345-02	1
2	Thermostat, Bin	11-0353-03	1
3	Pump Assembly, Water	12-1930-01	1
4	Tube, Tygon (Order by the foot)	13-0674-07	4
5	Clamp, Hose	02-1358-00	4
6	Solenoid Assembly, Water	12-1900-07	1
7	Chute, Cube, includes cover	A27821-001	1
8	Drier	02-2426-01	1
9	Solenoid Valve, Hot Gas	12-2135-01	1
10	Compressor Assembly - 115/60/1	18-4200-01	1
	Compressor Assembly - 208-230/60/1	18-4200-02	1
	Compressor Overload - 115/60/1	18-4200-40	1
	Compressor Overload - 208-230/60/1	18-4200-41	1
11	Screw, No. 5/16 x 18 Hex Machine	03-1405-20	1
12	Washer	03-1407-07	4
13	Sleeve	18-2300-26	4
14	Grommet, Mounting	18-2300-27	4
15	Capacitor, Run - 115/60/1	18-1902-45	1
	Capacitor, Run - 208-230/60/1	18-1902-29	1
16	Capacitor, Start - 115/60/1	18-1901-09	1
	Capacitor, Start - 208-230/60/1	18-1901-15	1
17	Relay - 115/60/1	18-1903-33	1
	Relay - 208-230/60/1	18-1903-29	1
18	Drain Tube Assembly	<i>No Number</i>	1
19	Condenser, Water-Cooled	18-3306-02	1
20	Water Regulator Bracket	A15924-000	1
21	Water Regulator Valve	11-0198-02	1
22	Accumulator Suction Line Assembly	A28803-020	1

HC400 PARTS ILLUSTRATIONS AND PARTS LISTS



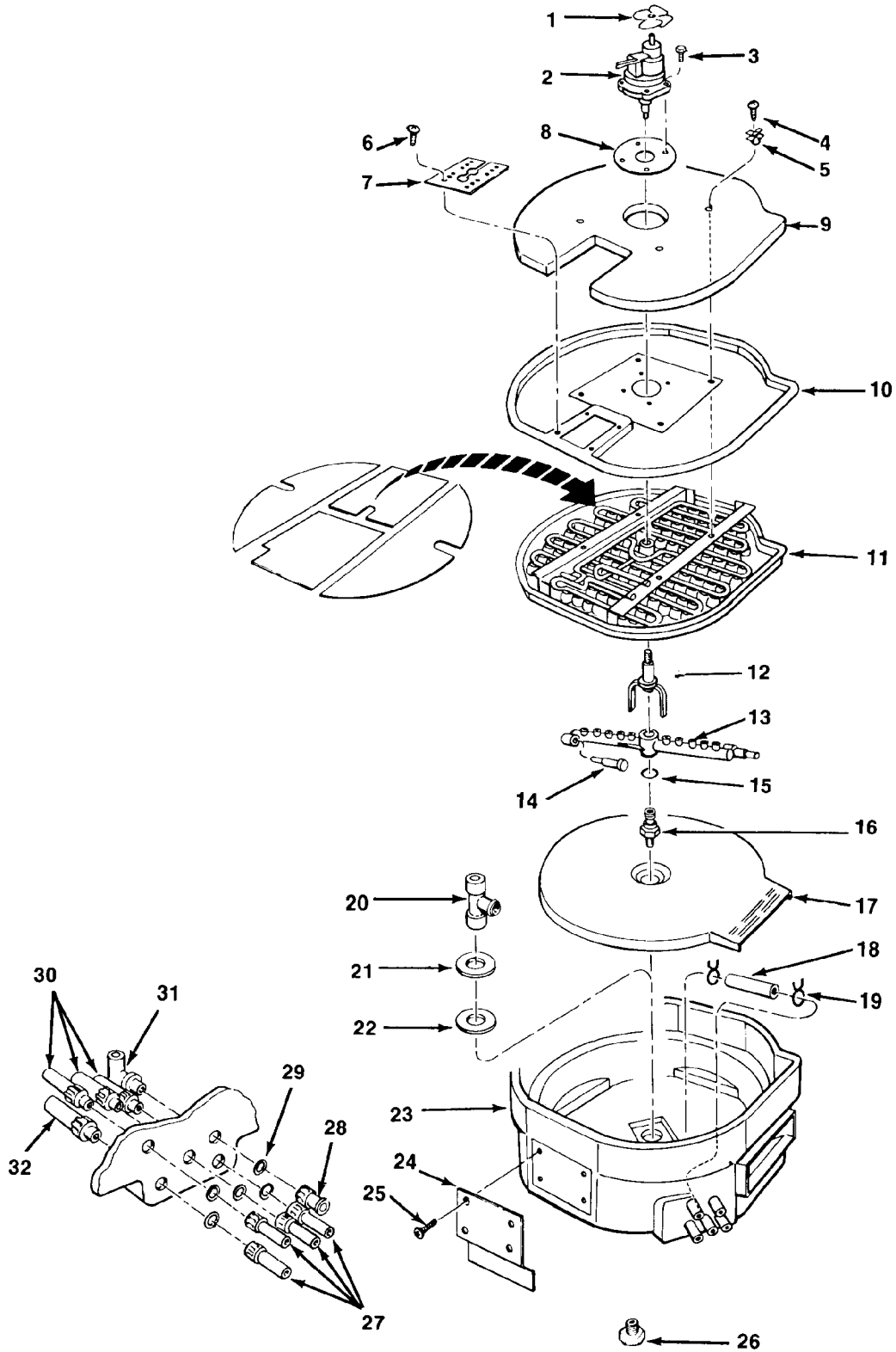
HC400
PARTS ILLUSTRATIONS AND PARTS LISTS

HC400 FREEZER ASSEMBLY PARTS LISTING

1	Blade, Fan - Drivemotor	12-0675-25	1
2	Drivemotor Assembly, Agitator	A24656-001	1
3	Screw, No. 6 x 1 T/F Top	03-1404-28	4
4	Screw, No. 8 x 1/2 Stainless Steel	03-1404-10	4
5	Washer, Centering	A24830-001	4
6	Plug, Hole	02-2065-02	4
7	Spacer, Tube	02-2129-01	1
8	Gasket - Agitator Drivemotor Assembly	13-0176-00	1
9	Cover, Insulation	02-2124-01	1
10	Cover, Freezing Chamber	A24803-001	1
11	Platen Assembly, Cup (Small cubes)	A27218-002	1
	Platen Assembly, Cup (Medium cubes)	A27217-002	1
	Platen Assembly, Cup (Large cubes)	A24129-002	1
12	Fork, Drive (Left-hand thread)	02-2369-02	1
13	Bar Assembly, Spray (w/rubber tips)	A25480-001	1
14	Rubber - Spray Bar Ends	13-0653-00	2
15	O-Ring	13-0617-25	1
16	Bearing, Spray Bar	02-2120-01	1
17	Bottom, Inner	02-2028-01	1
18	Tube, Tygon (8-inch lg.)(Order by the foot)	13-0674-07	1
19	Clamp, Hose	02-1358-01	2
20	Housing, Inlet	02-2121-01	1
21	Plate, Support - Spray Bar	A23827-001	1
22	Washer, Rubber	A23827-001	1
23	Sump, Freezing Chamber	03-1409-01	1
24	Mount, Front	A24498-001	1
25	Screw, No. 10 x 5/8 cap	03-1404-18	4
26	Plug, Bottom	02-2122-01	1
27	Tube, Female	02-2081-01	4
28	Tube, Female (cut-off)	02-2606-01	1
29	O-Ring	13-0617-02	5
30	Tube, Male	02-2080-01	3
31	Pipe, Stand	02-2125-01	1
32	Tube, Pick-Up-Pump	02-2082-01	1

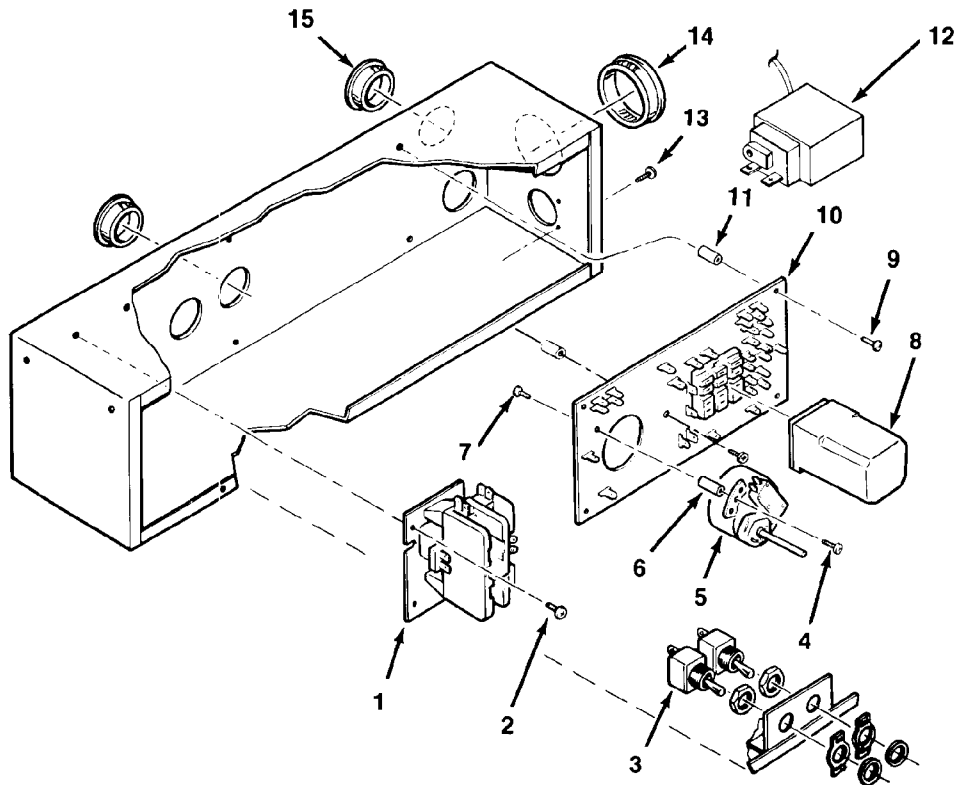
HC400

PARTS ILLUSTRATIONS AND PARTS LISTS



HC400

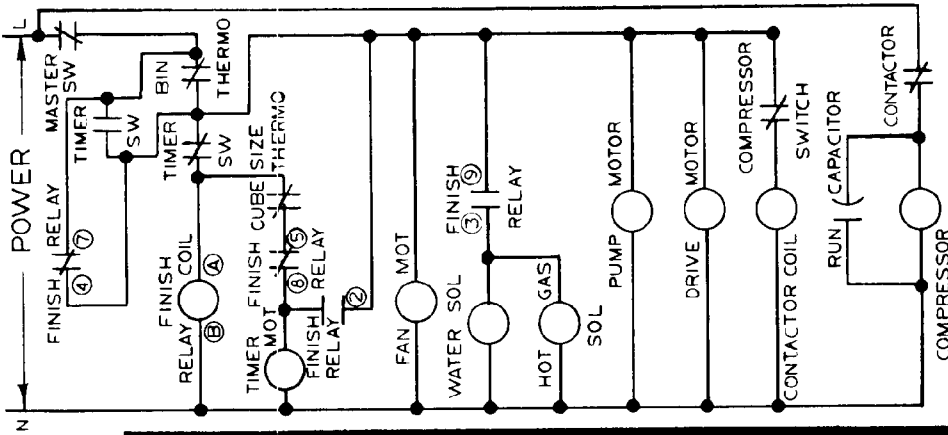
PARTS ILLUSTRATIONS AND PARTS LISTS



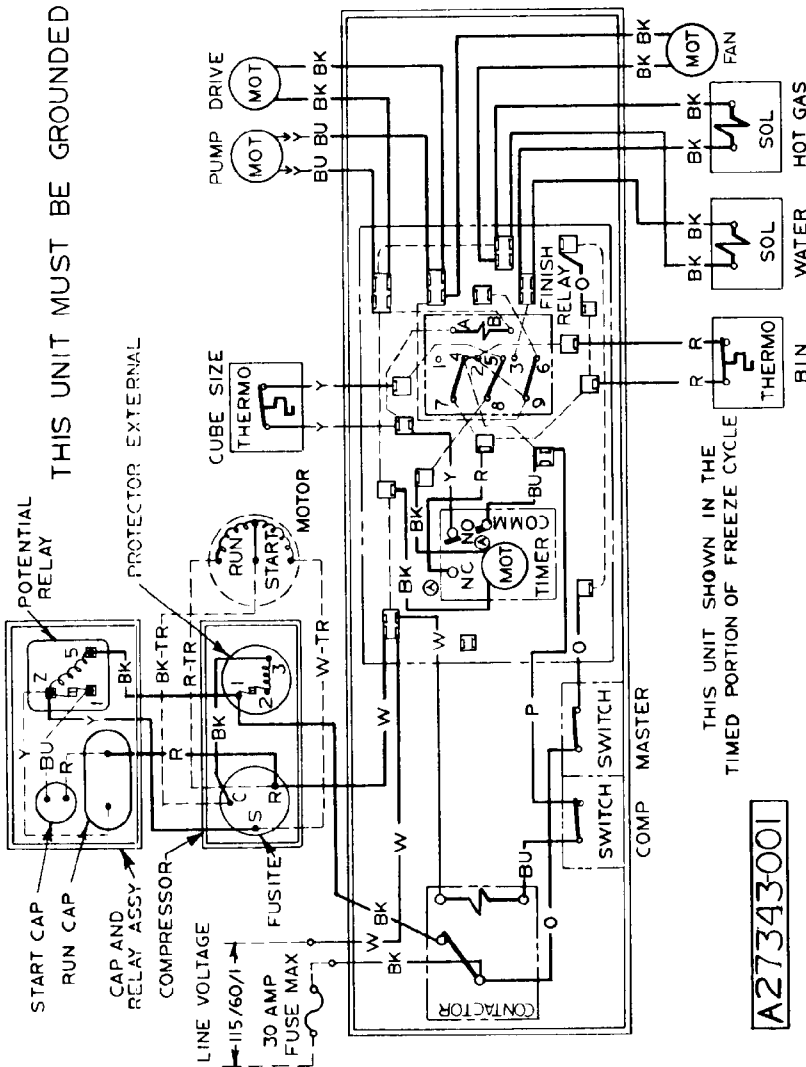
HC400 CONTROL BOX ASSEMBLY PARTS LISTING

1	Contactors - 115/60/1	12-2041-01	1
	Contactors - 208-230/60/1	12-2037-01	1
2	Screw, No. 8-32 x 3/8	03-1403-17	3
3	Switch	12-0426-01	2
4	Screw, No. 6-32 x 1/4 Phil Recess Pan Hd.	03-1403-02	2
5	Timer and Switch Assembly	12-1980-01	1
6	Stand-Off, 7/8-long	02-2242-01	2
7	Screw, No. 6-32 x 1/4 Phil Recess Pan Hd.	03-1403-02	2
8	Relay - 115/60/1	12-1879-02	1
	Relay - 208-230/60/1	12-1879-02	1
9	Screw, No. 6-32 x 1/4 Phil Recess Pan Hd.	03-1403-02	5
10	Circuit Board	12-1912-01	1
11	Stand-Off, 5/8 inch	02-2242-02	5
12	Control, Hi Pressure (Water-Cooled)	11-0388-02	1
13	Screw, No. 6-32 x 1/4 Phil Recess Pan Hd.	03-1403-04	2
14	Bushing, Snap	12-1213-13	1
15	Bushing, Snap	12-1213-10	3

HC400 WIRING DIAGRAMS



CAUTION: MORE THAN ONE DISCONNECT MEANS MAY BE REQUIRED TO DISCONNECT ALL POWER TO THIS UNIT

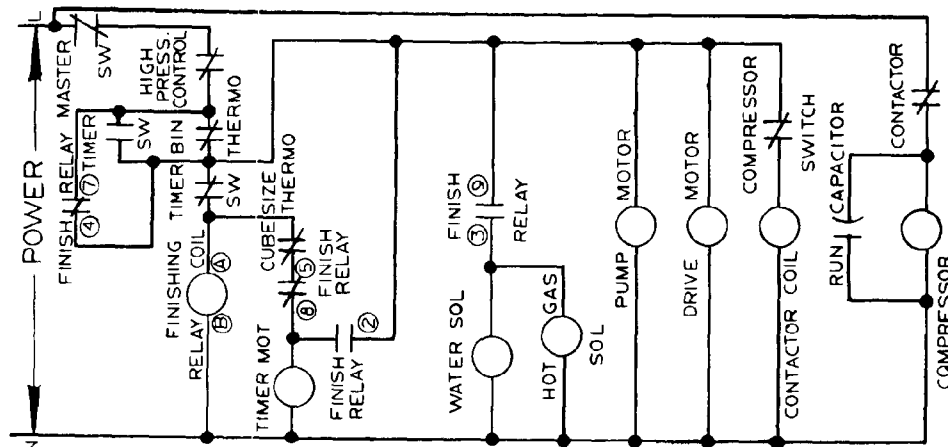


THIS UNIT MUST BE GROUNDED

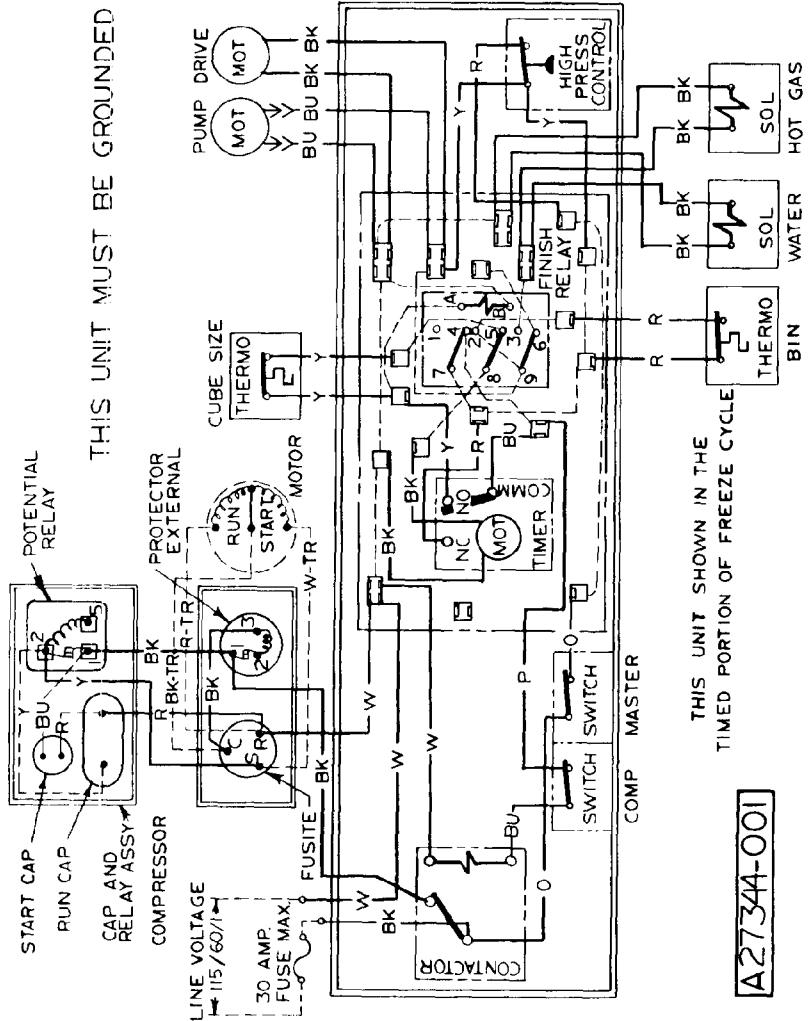
A27343001

Air-Cooled 115/60/1

HC400 WIRING DIAGRAMS



CAUTION: MORE THAN ONE DISCONNECT MEANS MAY BE REQUIRED TO DISCONNECT ALL POWER TO THIS UNIT



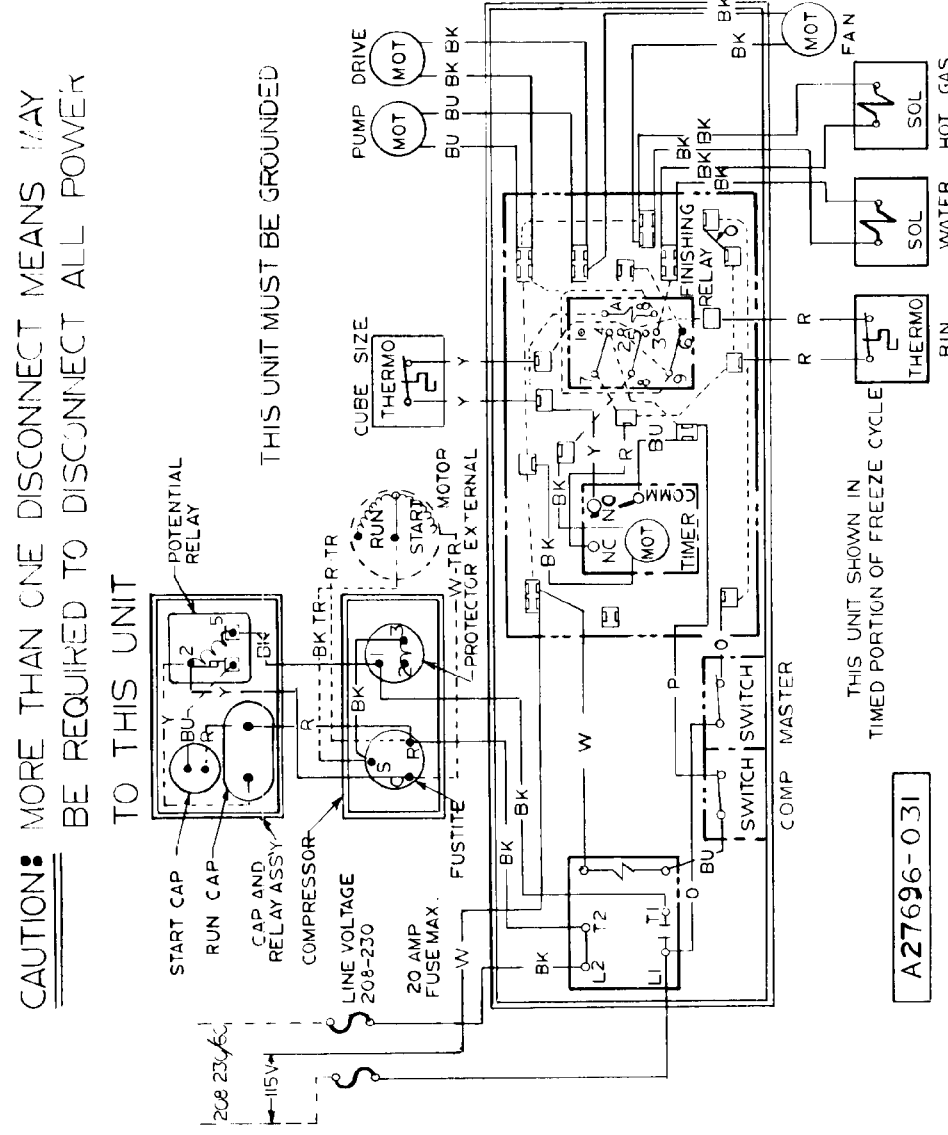
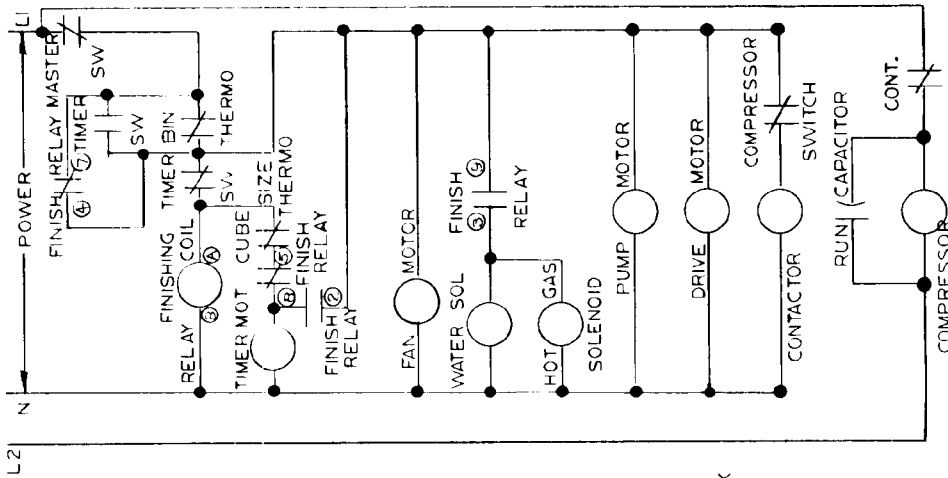
THIS UNIT MUST BE GROUNDED

THIS UNIT SHOWN IN THE
TIMED PORTION OF FREEZE CYCLE

A27344-001

Water-Cooled 115/60/1

HC400 WIRING DIAGRAMS



CAUTION: MORE THAN ONE DISCONNECT MEANS MAY BE REQUIRED TO DISCONNECT ALL POWER TO THIS UNIT

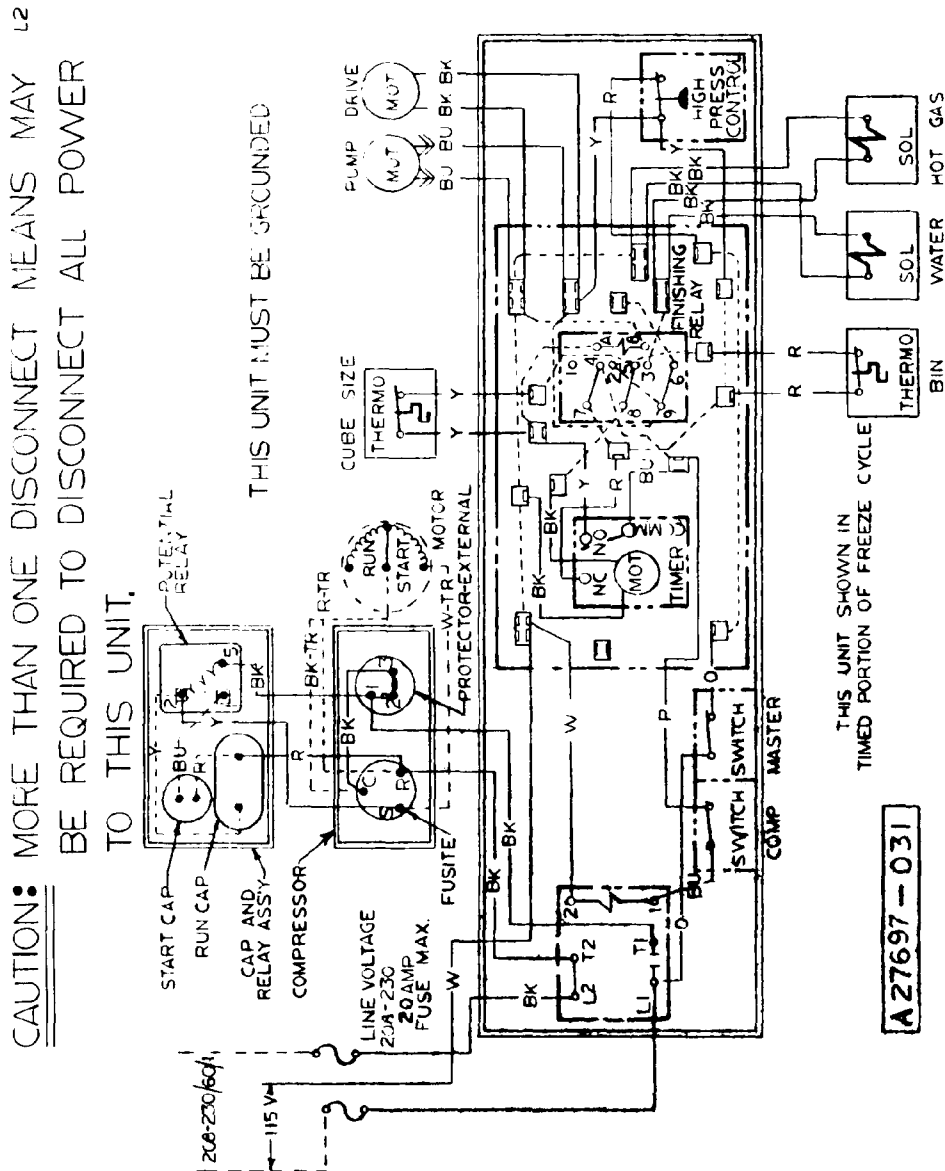
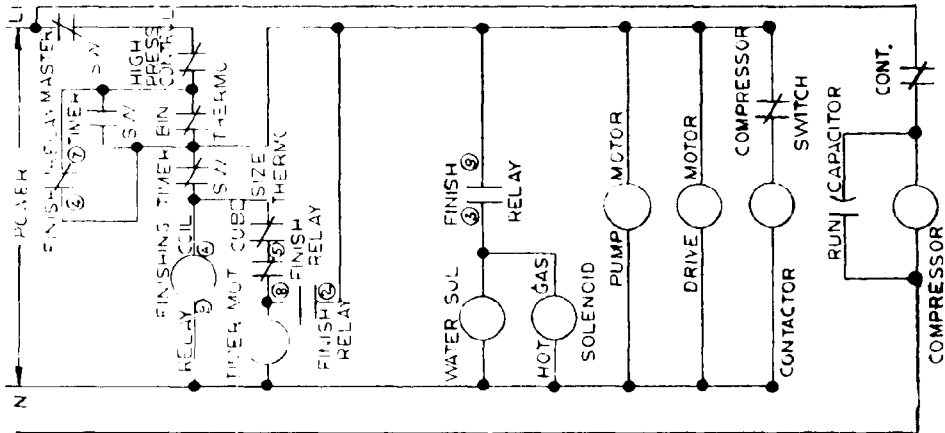
THIS UNIT MUST BE GROUNDED

THIS UNIT SHOWN IN TIMED PORTION OF FREEZE CYCLE

A27696-031

Air-Cooled 115/208-230/60/1

HC400 WIRING DIAGRAMS



CAUTION: MORE THAN ONE DISCONNECT MEANS MAY BE REQUIRED TO DISCONNECT ALL POWER TO THIS UNIT.

THIS UNIT MUST BE GROUNDING

THIS UNIT SHOWN IN TIMED PORTION OF FREEZE CYCLE

A 27697 - 031

Water-Cooled 115/208-230/60/1