

NME950 & FME1200 SERVICE PARTS

This parts list contains the service parts and wiring diagrams for this model. Check the model number in question to be sure that it is applicable to this parts list.

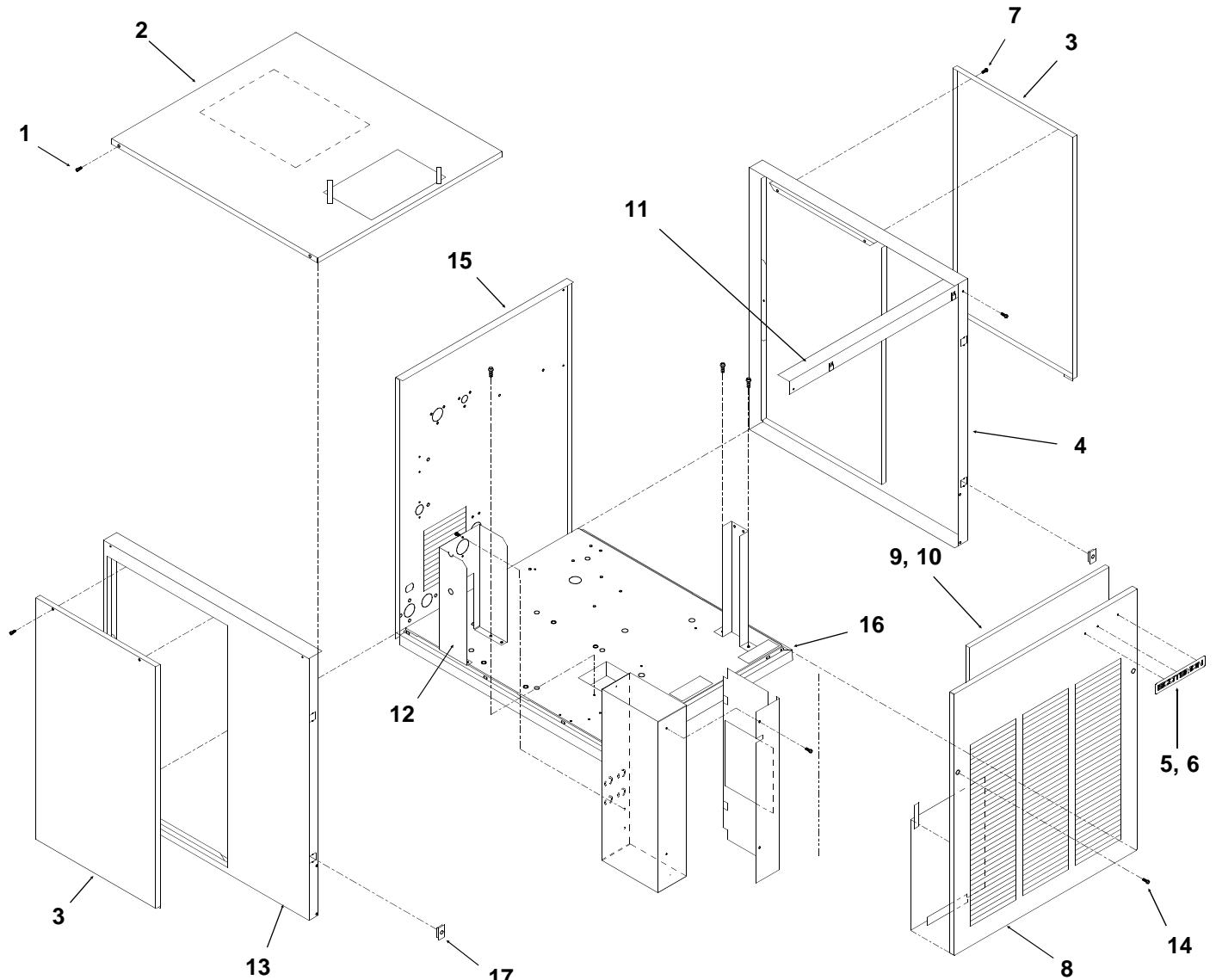
Note that these machines have been manufactured in both 50 and 60 cycle. 60 Hz model numbers end in -3 or -32. 50 Hz model numbers end in -6.

TABLE OF CONTENTS

Cabinet	2
Air Cooled Refrigeration	3
Water Cooled Refrigeration.....	4
Water System	5
Gearmotor.....	6
NME Evaporator	7
FME Evaporator	8
Control Box.....	9
Wiring Diagrams.....	10

NME950 & FME1200 SERVICE PARTS

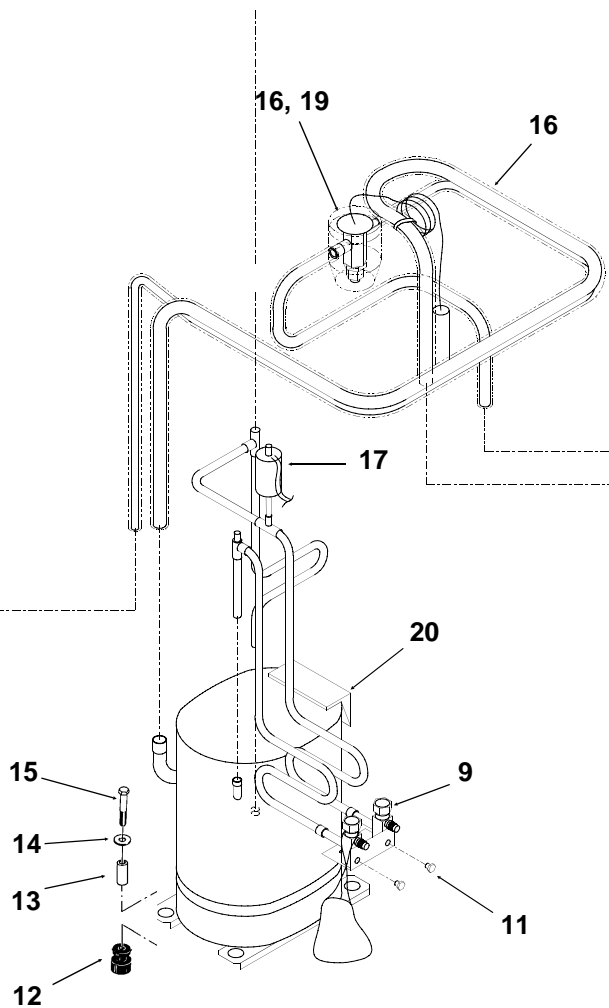
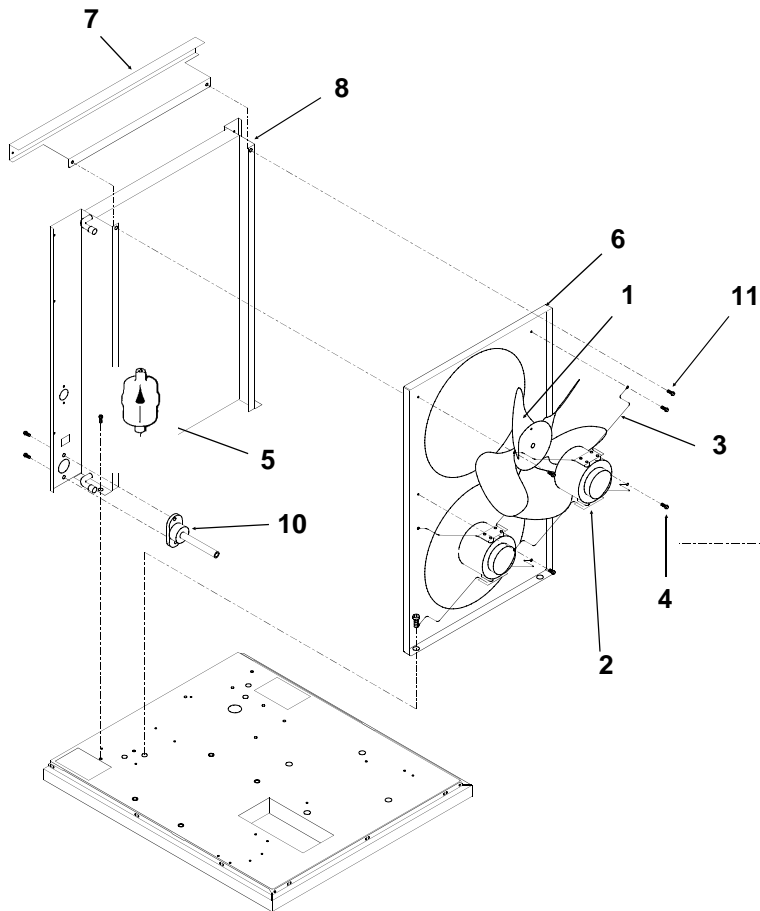
Cabinet Assembly



ITEM NUMBER	PART NUMBER	DESCRIPTION	ITEM NUMBER	PART NUMBER	DESCRIPTION
1	03-1531-01	Screw	9	02-2976-01	Filter Assembly
2	A33256-001	Top Panel, sandalwood	10	03-1660-01	Filter clip
	A33256-015	Top panel, gray	11	A34348-001	Ft. brace
	A33256-002	Top Panel, S.S.	12	A34039-001	Control Box Support
3	A34038-001	Service Panel, sandalwood	13	A32435-001	Left Side Panel, sandalwood
	A34038-015	Service panel, gray		A32435-015	Left side panel, gray
	A34038-002	Service Panel, S.S.		A32435-002	Left Side Panel, S.S.
4	A33292-001	Right Side Panel, s-wood	14	03-1419-22	Screw
	A33292-015	Right side panel, gray	15	Water Cooled only:	
	A33292-002	Right Side Panel, S.S.		A35924-001	Rear Panel, Painted
5	03-0271-00	Speed Clip		A35924-002	Rear panel, stainless
6	15-0711-01	Emblem, sandalwood		A35924-015	Rear panel, gray
	15-0808-03	Emblem, grey	16.	A35890-001	Base
7	03-1404-12	Screw	17	02-0836-00	Catch
8	A33255-001	Front Panel, sandalwood		15-0411-00	Strike (on front panel)
	A33255-015	Front panel, gray			
	A33255-002	Front Panel, S.S.			

NME950 & FME1200 SERVICE PARTS

Air Cooled Refrigeration



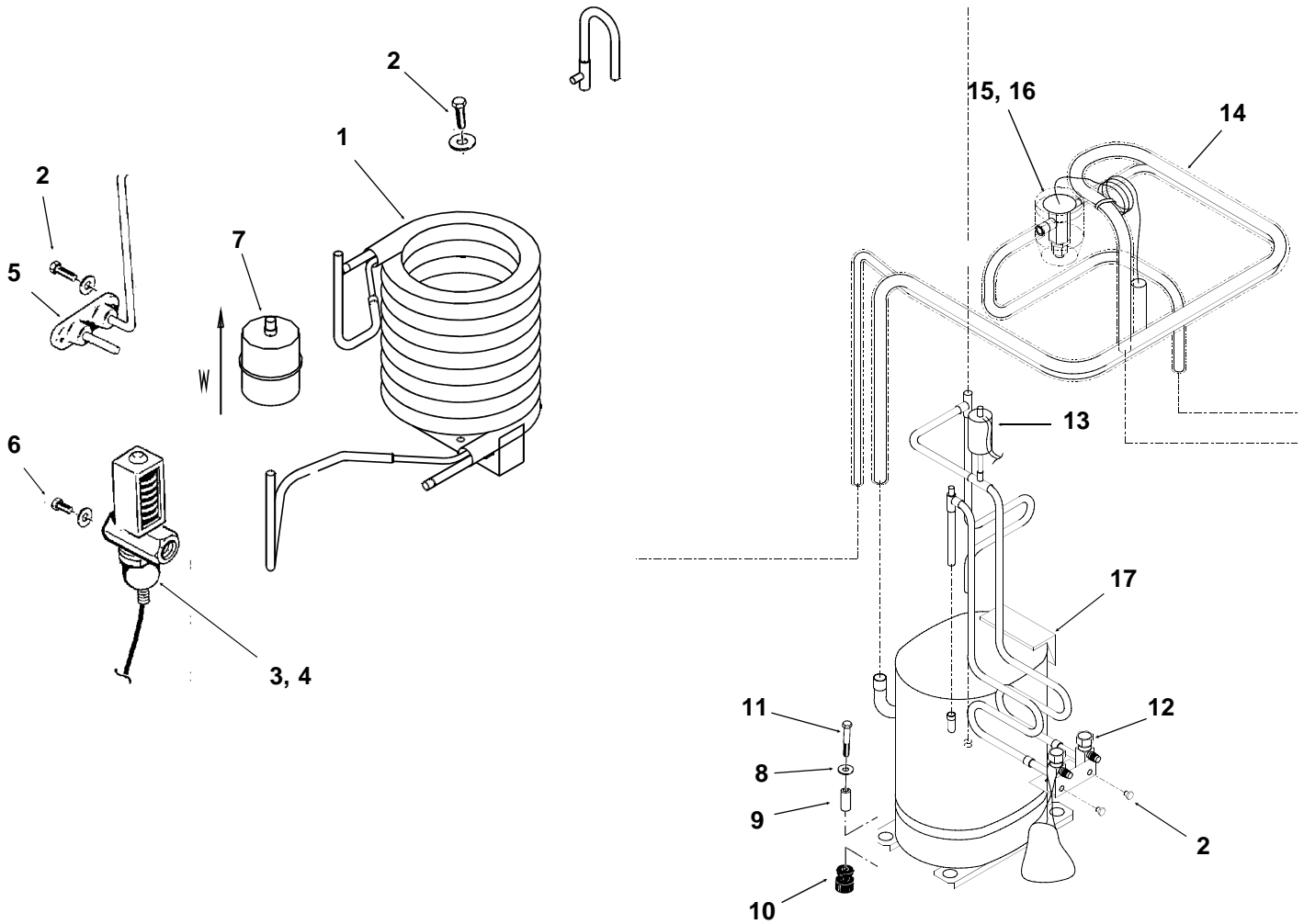
PART NUMBER	NUMBER	DESCRIPTION
1	18-3815-01	Fan Blade
2	12-1576-02	Fan Motor
3	02-2378-01	Fan Bracket
4	03-1404-12	Screw
5	02-3319-02	Dryer
6	A33231-001	Fan Shroud
7	A35582-001	Fan shroud cover, painted
	A35582-002	Fan shroud cover, stainless
8	18-8717-01	Condenser
9	16-0832-20	Access valve
9a	16-0832-02	Stem cap
9b	16-0832-03	Core cap
10	A34045-001	Drain casting
11	03-1645-01	Screw
12	18-2200-28	Grommet
13	18-2300-27	Sleeve

ITEM NUMBER	PART NUMBER	DESCRIPTION
14	03-1407-07	Washer
15	03-1405-20	Cap Screw
16	A36496-001	Suction Line
17	11-0485-21	Hi Pressure Cut Out
18	A32961-020	Insulation Kit (3 piece)
19	11-0488-21	Thermo Expansion Valve
20	18-8768-22	Compressor 208-230/60/1
		Overload for above is internal
	18-8768-24	Compressor 200-230/60/3
		Overload for above is internal
	18-8772-26	Compressor 220-240/50/1
	18-8772-21	Overload for above

NME950-6B or FME1200-6B:		
21	11-0512-01	Low pressure cut out switch

NME950 & FME1200 SERVICE PARTS

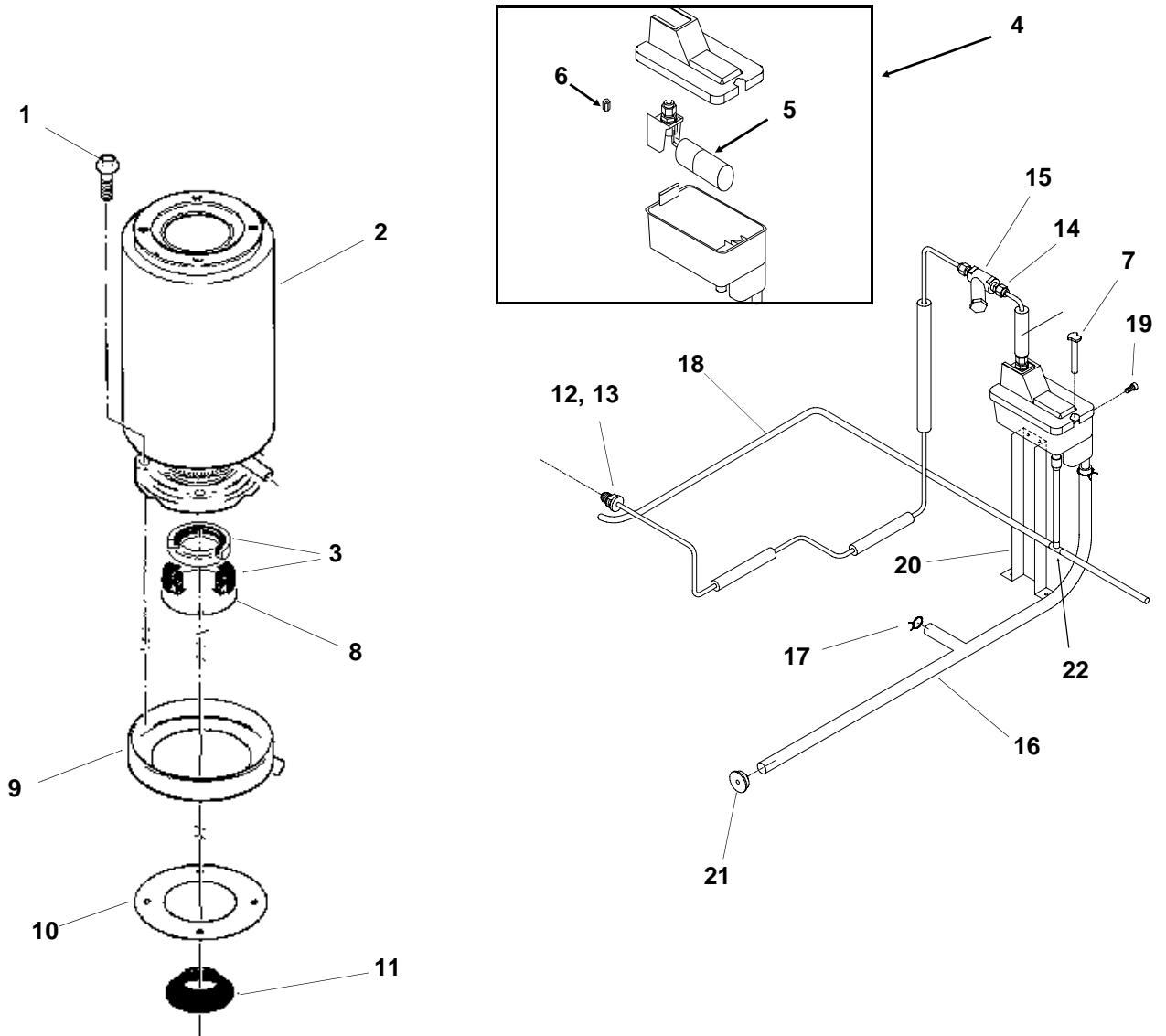
Water Cooled Refrigeration



ITEM NUMBER	PART NUMBER	DESCRIPTION	ITEM NUMBER	PART NUMBER	DESCRIPTION
1	18-8718-21	Condenser	12	16-0832-20	Access Valve Complete
2	03-1645-01	Screw	12a	16-0832-02	Stem cap
3	11-0478-21	Water Reg. Valve	12b	16-0832-03	Core cap
4	16-0401-02	Elbow (not shown)	13	11-0485-21	Hi Pressure Cut Out
5	A34044-001	Drain Assembly	14	A36496-001	Suction Line
6	03-1403-14	Screw	15	A32961-020	Insulation Kit (3 piece)
7	02-3319-02	Dryer	16	11-0488-21	Thermo Expansion Valve
8	03-1407-07	Washer	17	18-8768-22	Compressor 208-230/60/1
9	18-2200-27	Sleeve			Overload for above is internal
10	18-2200-28	Grommet			18-8768-24 Compressor 200-230/60/3
11	03-1405-20	Screw			Overload for above is internal
					18-8772-26 Compressor 220-240/50/1
					18-8772-21 Overload for above
NME950-6B or FME1200-6B:					
			18	11-0512-01	Low pressure cut out switch

NME950 & FME1200 SERVICE PARTS

Water System

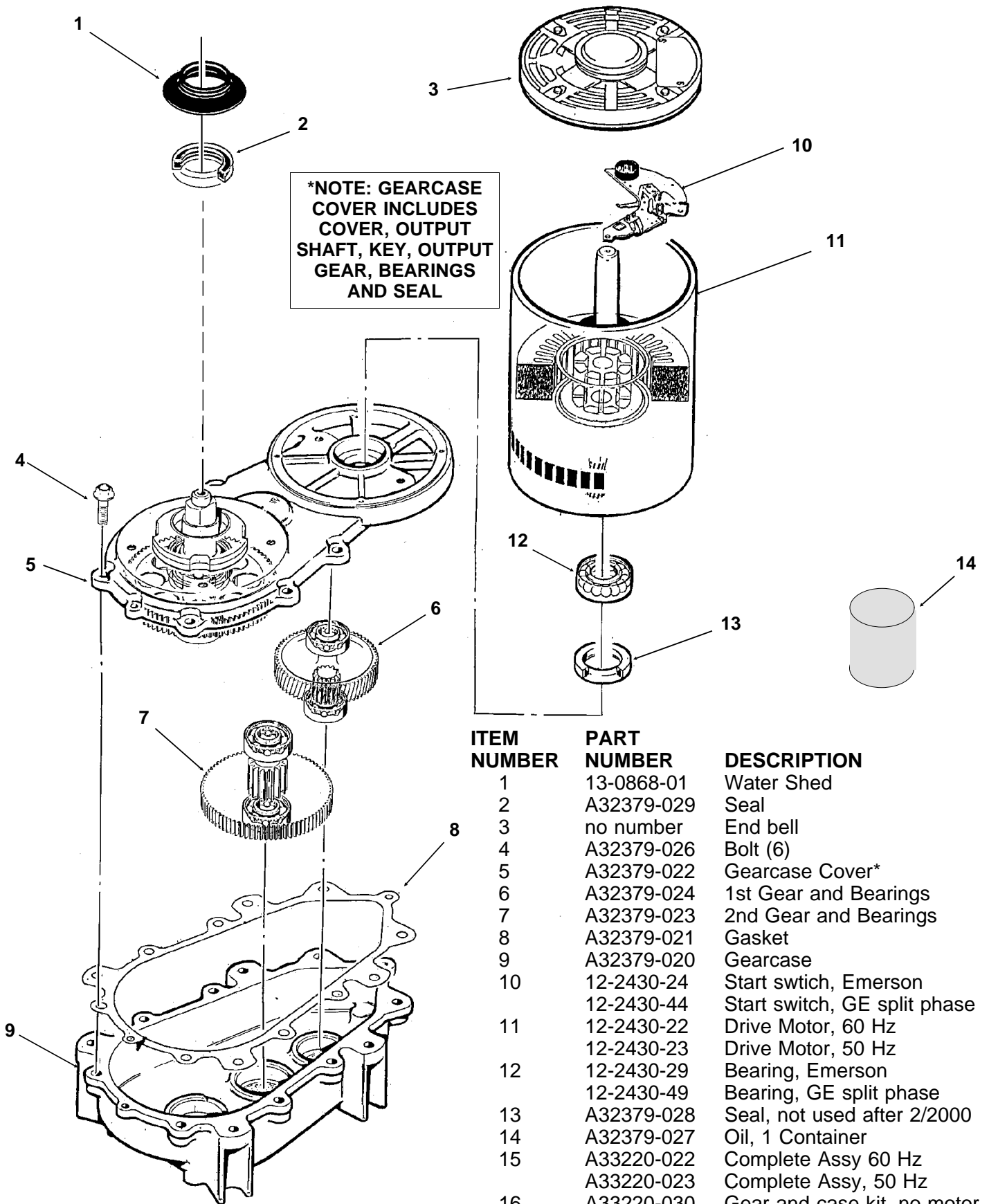


ITEM NUMBER	PART NUMBER	DESCRIPTION
1	03-1420-03	Cap Screw
2	A32890-020	Evaporator
3	02-0929-23	Water Seal
4	02-3266-20	Reservoir & valve
5	02-3266-21	Float valve
6	02-3266-22	Plunger/seat
7	A33101-022	Water Level Sensor
8	A32777-021	Retaining Ring for Seal
9	A32050-001	Drip Pan
10	13-0704-00	Gasket
11	13-0868-01	Water Shed
12	A27318-001	Water Inlet Fitting
13	03-1394-01	Pal Nut
14	16-0791-01	Coupling union

ITEM NUMBER	PART NUMBER	DESCRIPTION
15	16-0162-00	Strainer
16	A36154-001	Evap. water inlet tube
17	02-1338-00	Hose clamp
18	13-0079-03	Res. overflow hose
19	03-1639-03	Screw
20	A36078-002	Reservoir bracket
21	13-0840-01	Rubber cap
22	16-0670-02	Tee

NME950 & FME1200 SERVICE PARTS

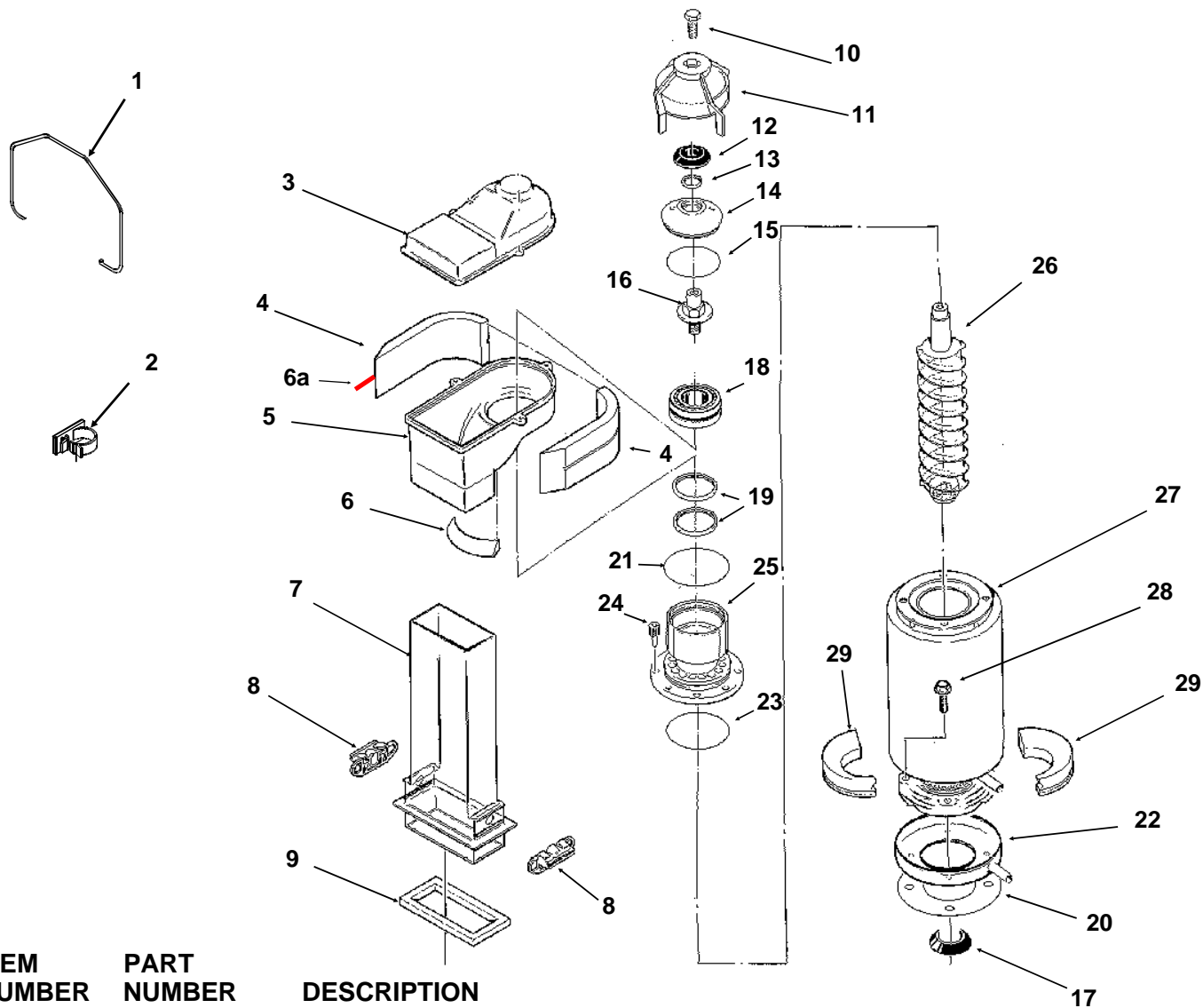
Gearmotor



ITEM NUMBER	PART NUMBER	DESCRIPTION
1	13-0868-01	Water Shed
2	A32379-029	Seal
3	no number	End bell
4	A32379-026	Bolt (6)
5	A32379-022	Gearcase Cover*
6	A32379-024	1st Gear and Bearings
7	A32379-023	2nd Gear and Bearings
8	A32379-021	Gasket
9	A32379-020	Gearcase
10	12-2430-24	Start switch, Emerson
	12-2430-44	Start switch, GE split phase
11	12-2430-22	Drive Motor, 60 Hz
	12-2430-23	Drive Motor, 50 Hz
12	12-2430-29	Bearing, Emerson
	12-2430-49	Bearing, GE split phase
13	A32379-028	Seal, not used after 2/2000
14	A32379-027	Oil, 1 Container
15	A33220-022	Complete Assy 60 Hz
	A33220-023	Complete Assy, 50 Hz
16	A33220-030	Gear and case kit, no motor

NME950 & FME1200 SERVICE PARTS

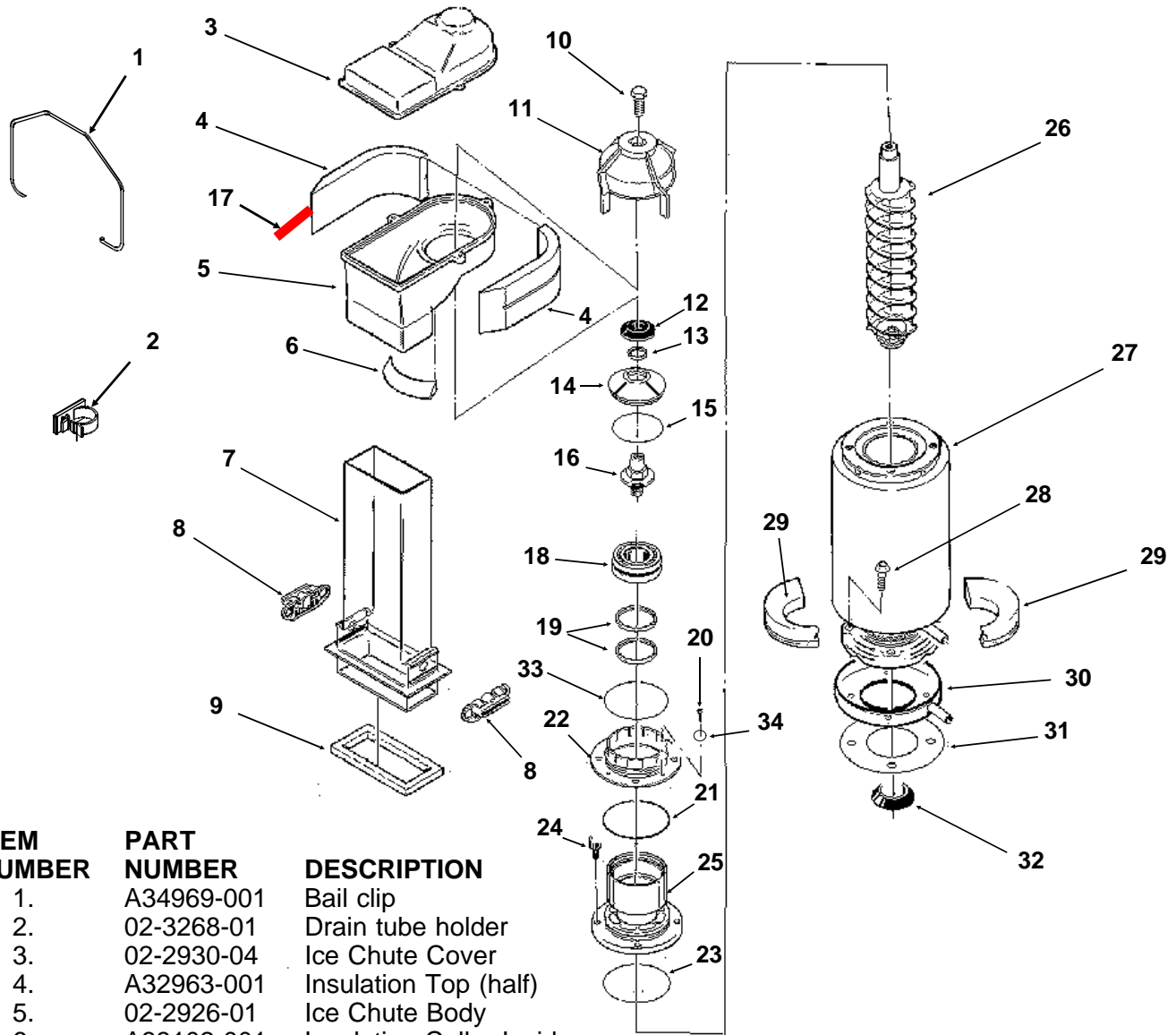
NME Evaporator



ITEM NUMBER	PART NUMBER	DESCRIPTION
1.	A34969-001	Bail clip
2.	02-3268-01	Drain tube holder
3.	02-2930-04	Ice Chute Cover
4.	A32963-001	Insulation Top (half)
5.	02-2926-01	Ice Chute Body
6.	A33102-001	Insulation Collar Inside
6a	A35419-020	Strap kit
7.	02-2929-04	Ice Chute Lower
8.	A37708-021	Bin Controls Assy. (set of 2)
9.	A32930-001	Chute Gasket
10.	03-1405-52	Hex Cap Screw
11.	02-3001-01	Ice Sweep
12.	13-0871-01	Water Shed
13.	02-2978-01	Lip Seal
14.	02-3128-20	Breaker Cover
15.	13-0617-52	O-Ring
16.	08-0660-01	Auger Stud & washer
17.	13-0868-01	Water Shed
18.	A34559-020	Bearing
19.	02-2977-01	Lip Seal
20.	13-0704-00	Drip Pan Gasket
21.	13-0617-54	O-Ring
22.	02-3837-01	Drip Pan
23.	13-0617-45	O-Ring
24.	03-1544-08	Soc. Head Screw
25.	A32900-020	Breaker (includes 18 & 19)
26.	A38071-022	Auger
27.	A32890-020	Evaporator
28.	03-1405-41	Cap Screw
29.	A32962-001	Insulation Bot. (half)

NME950 & FME1200 SERVICE PARTS

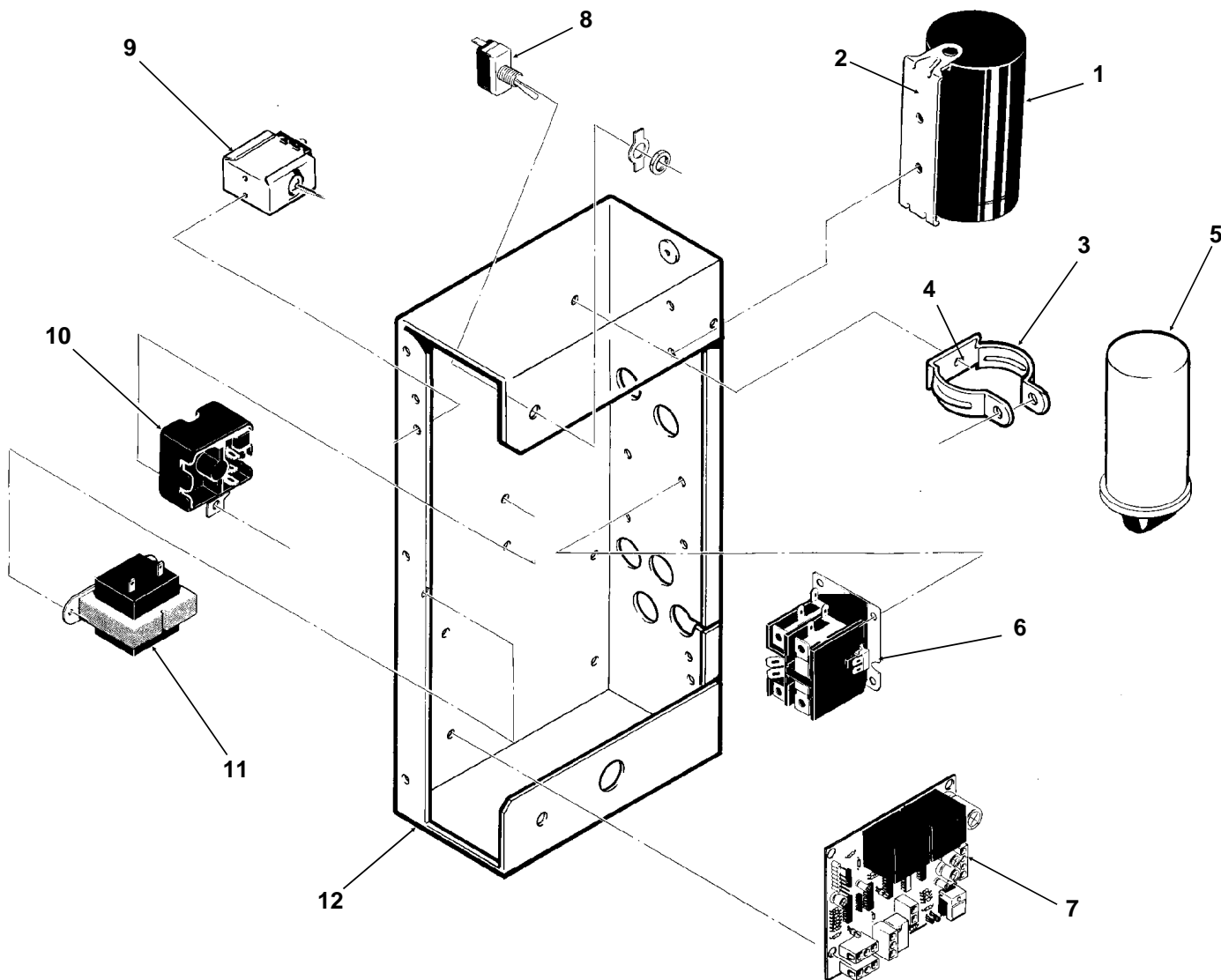
FME Evaporator



ITEM NUMBER	PART NUMBER	DESCRIPTION
1.	A34969-001	Bail clip
2.	02-3268-01	Drain tube holder
3.	02-2930-04	Ice Chute Cover
4.	A32963-001	Insulation Top (half)
5.	02-2926-01	Ice Chute Body
6.	A33102-001	Insulation Collar Inside
7.	02-2929-04	Ice Chute Lower
8.	A37708-021	Bin Controls Assy. (set of 2)
9.	A32930-001	Chute Gasket
10.	03-1405-52	Hex Cap Screw
11.	02-3001-01	Ice Sweep
12.	13-0871-01	Water Shed
13.	02-2978-01	Lip Seal
14.	02-3128-20	Breaker Cover
15.	13-0617-54	O-Ring
16.	08-0660-01	Auger Stud, thrust Washer
17.	A35419-020	Strap kit
18.	A34559-020	Bearing
19.	02-2977-01	Lip Seal
20.	03-1405-27	Screw
		21. 13-0617-52 O-Ring
		22. 02-2916-01 Slotted Collar
		23. 13-0617-45 O-Ring
		24. 03-1544-08 Soc. Head Screw
		25. A34505-020 Breaker (Divider) (includes 18 & 19)
		26. A38071-022 Auger
		27. A32890-020 Evaporator
		28. 03-1405-41 Cap Screw
		29. A32962-001 Insulation Bot. (half)
		30. 02-3837-01 Drip Pan
		31. 13-0704-00 Drip Pan Gasket
		32. 13-0868-01 Water Shed
		33. 13-0617-49 O-Ring
		34. 03-1408-36 Washer

NME950 & FME1200 SERVICE PARTS

Control Box



ITEM NUMBER	PART NUMBER	DESCRIPTION
1	18-1901-54	Start Capacitor, 60 Hz
	18-1901-53	Start Capacitor, 50 Hz
	18-4300-50	Start Capacitor Cap.
2.	18-2200-39	Start Capacitor Bracket
	03-1638-04	Screw
	03-1417-16	Lockwasher
3.	A32872-001	Run Cap Bracket
	03-1652-02	Bolt
	03-0255-04	Wing Nut
4.	03-1638-03	Screw
5.	18-1902-45	Run capacitor, 60 Hz
	18-1902-53	Run capacitor, 50 Hz
6.	12-2469-02	Single Phase Contactor
	12-0739-02	Three phase contactor

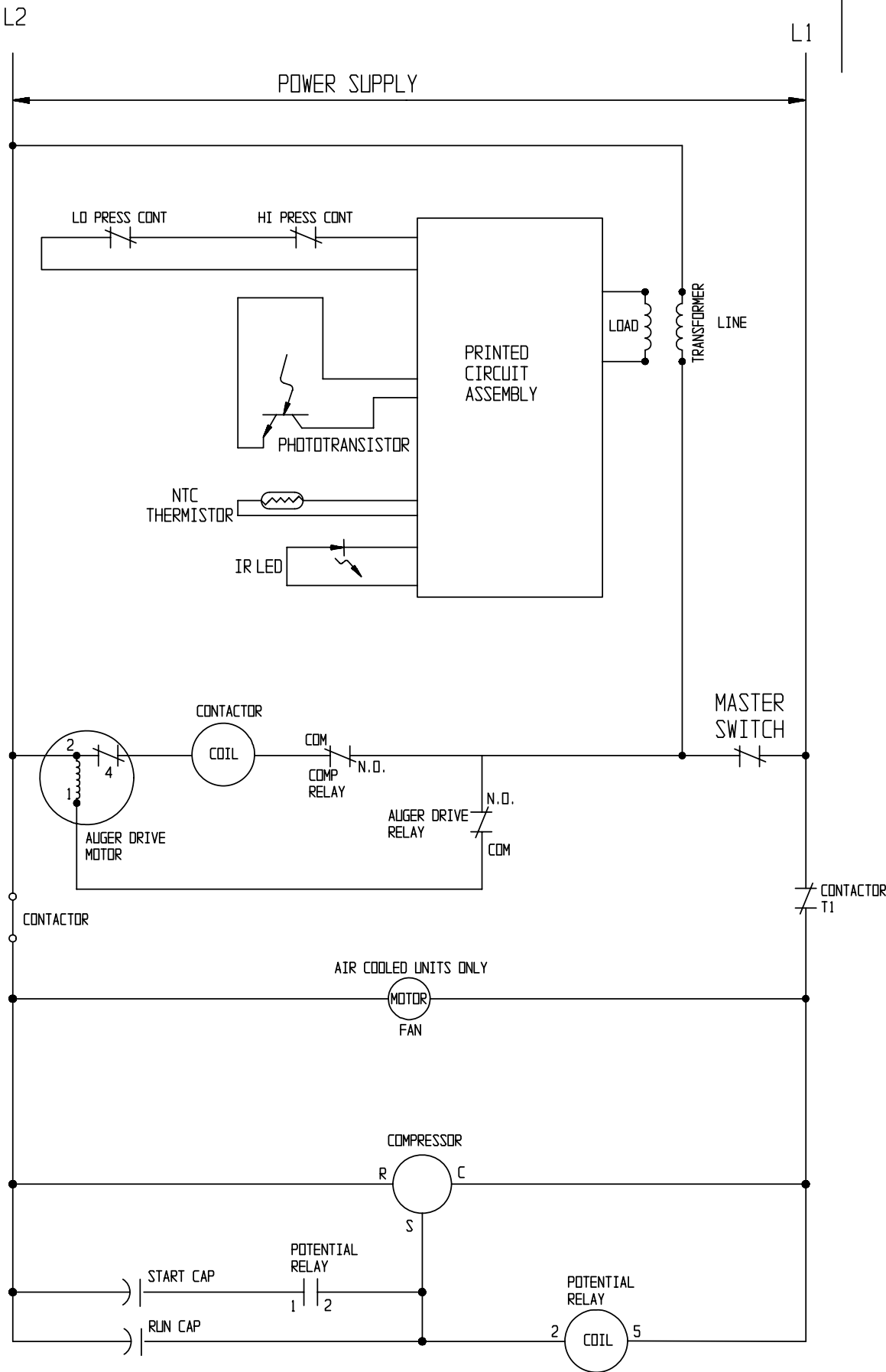
ITEM NUMBER	PART NUMBER	DESCRIPTION
7	A37750-021	Circuit Board
8.	12-0426-01	Master Switch
NME950-6B or FME1200-6B only:		
	12-2637-01	Toggle Switch
9.	11-0447-20	Low Pressure Control
10	18-1903-33	Potential Relay, 60 Hz
	18-1903-54	Potential relay, 50 Hz
11.	12-2285-22	Transformer
NME950-6B or FME1200-6B only:		
	12-2639-01	Tranformer
12	no number	Control Box

NOT ILLUSTRATED		
13.	12-2340-01	4 Pin Plug Assy (Transformer to Circuit Board)
14.	A34055-001	Control Box Cover
NME950-6B or FME1200-6B only:		
	12-2687-01	Fuse block
	12-2686-02	2A fuse

Note: Hz means Cycles, 50 Hz is 50 cycle, the model number ends in a -6 for 50 Hz models.

NME950 & FME1200 SERVICE PARTS

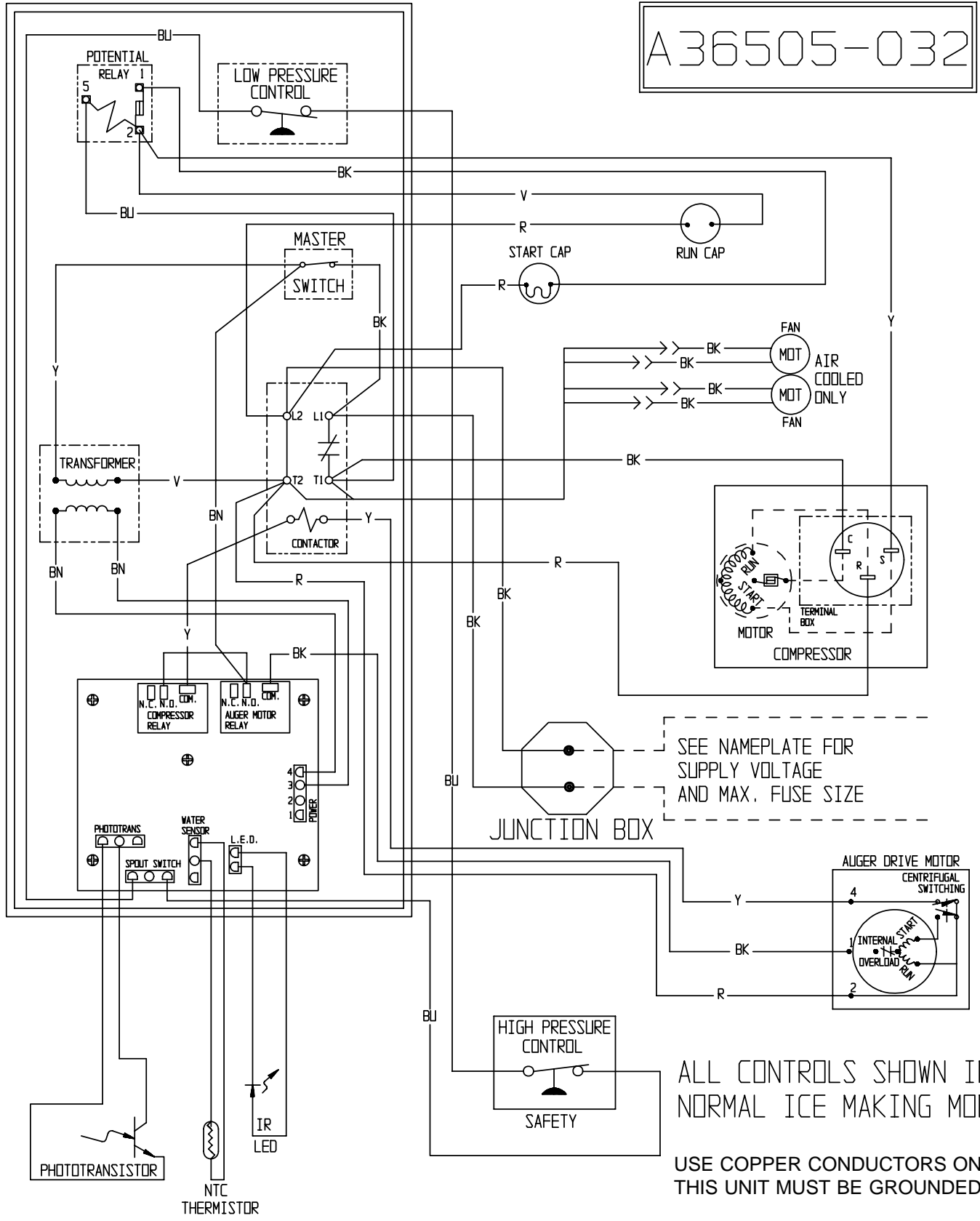
AIR AND WATER COOLED, 208-230/60/1



NME950 & FME1200 SERVICE PARTS

AIR AND WATER COOLED, 208-230/60/1

A36505-032



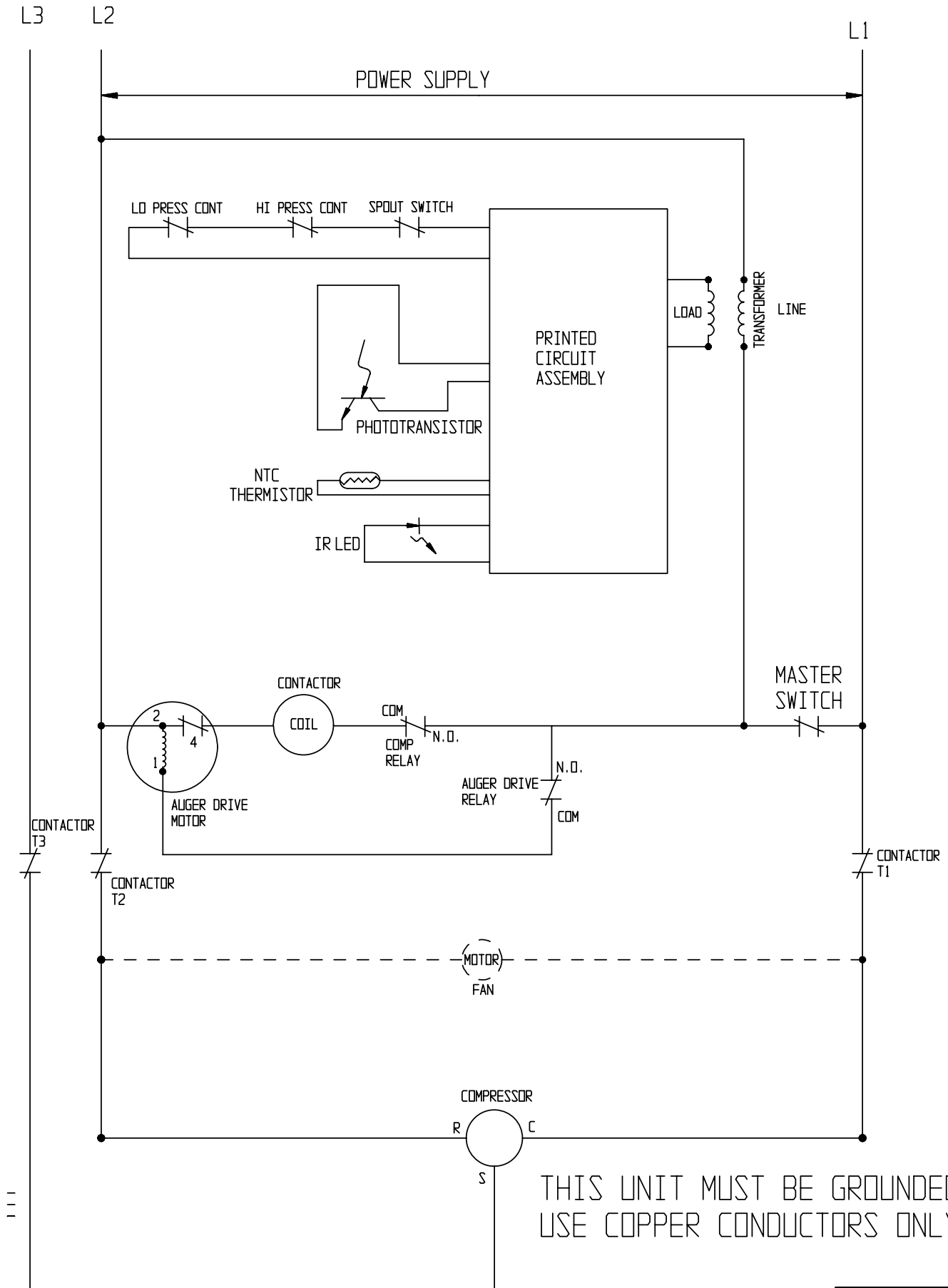
SEE NAMEPLATE FOR
SUPPLY VOLTAGE
AND MAX. FUSE SIZE

ALL CONTROLS SHOWN IN
NORMAL ICE MAKING MODE

USE COPPER CONDUCTORS ONLY
THIS UNIT MUST BE GROUNDED

NME950 & FME1200 SERVICE PARTS

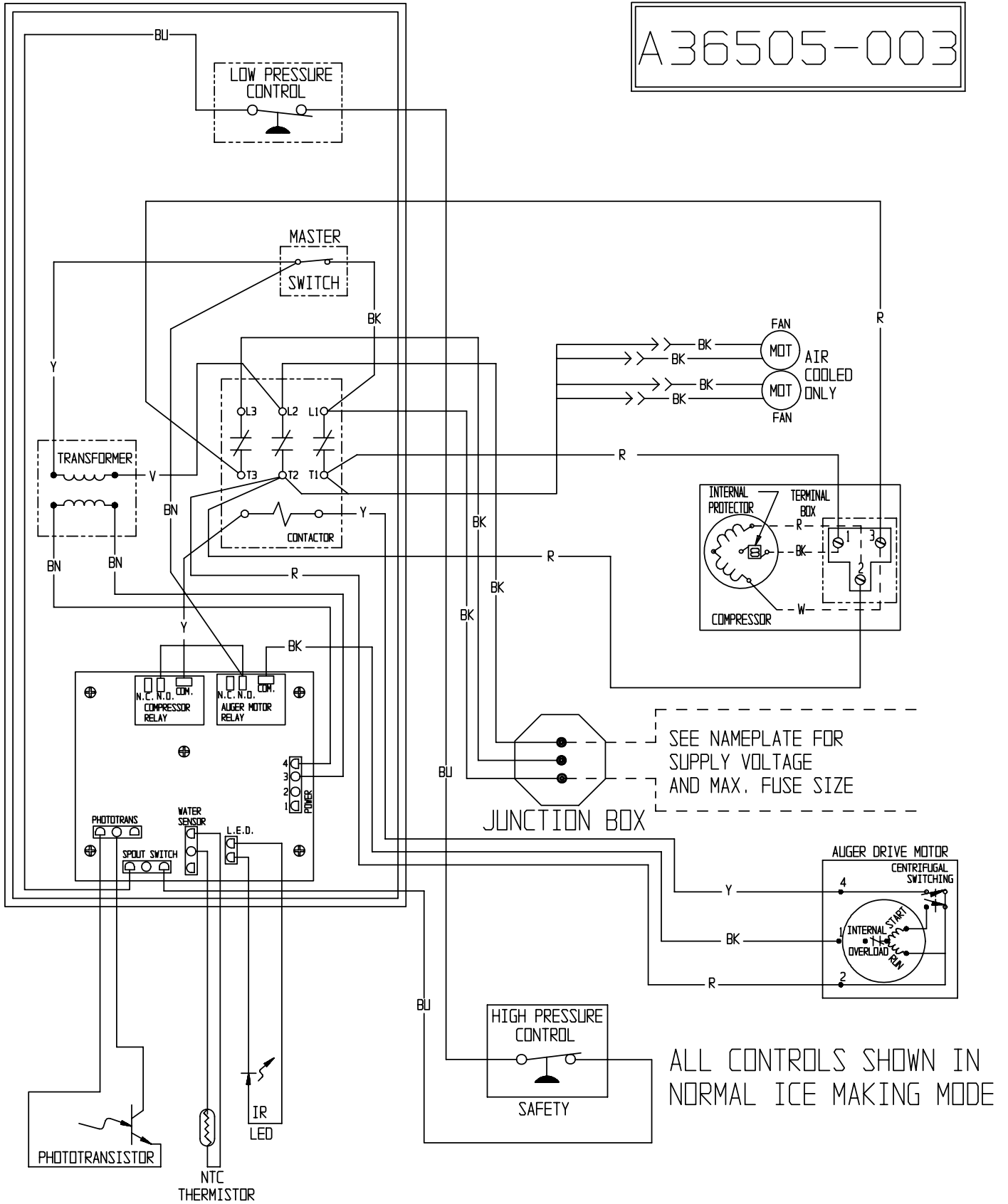
AIR AND WATER COOLED, 208-230/60/3



NME950 & FME1200 SERVICE PARTS

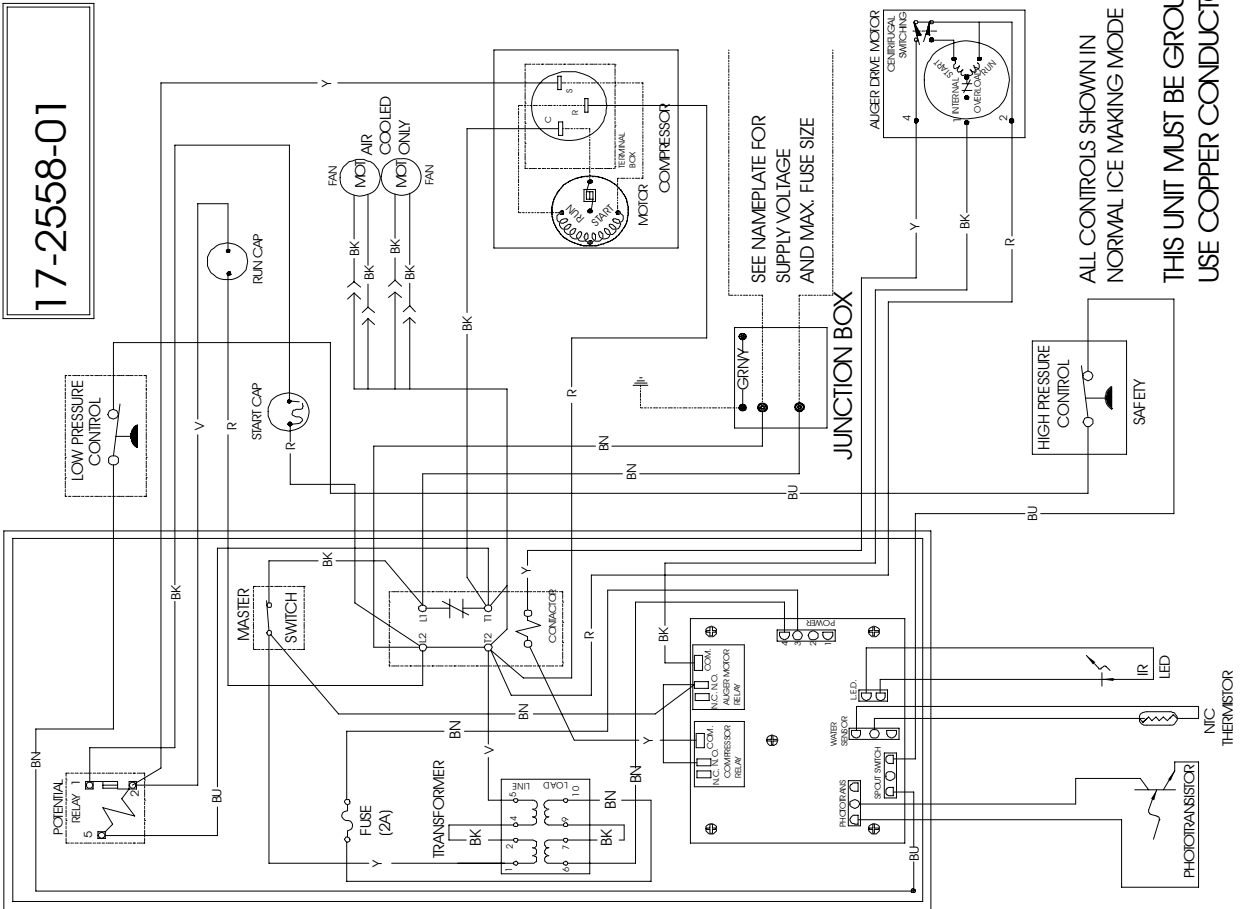
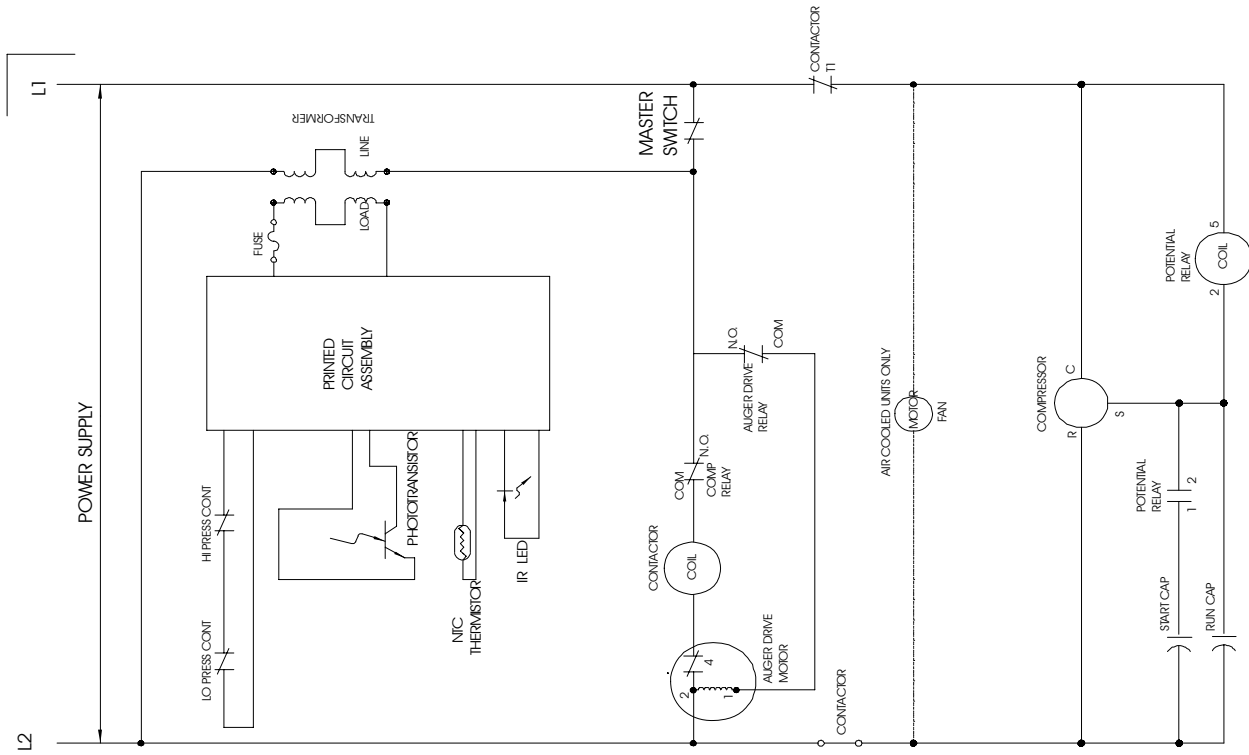
AIR AND WATER COOLED, 208-230/60/3

A36505-003



NME950 & FME1200 SERVICE PARTS

NME950 or FME1200 -6B



17-2558-01

SEE NAMEPLATE FOR
SUPPLY VOLTAGE
AND MAX. FUSE SIZE

JUNCTION BOX

ALL CONTROLS SHOWN IN
NORMAL ICE MAKING MODE

THIS UNIT MUST BE GROUNDED
USE COPPER CONDUCTORS ONLY