



## **Nuggeteisbereiter, Wasserk., 250 kg/24 h, ohne Speicher**

Artikel-Nr.  
711082 (TM250W)

---

### **Explosionszeichnung / Ersatzteile**

---

Bitte bei Ersatzteilbestellung immer Artikelnummer und  
Seriennummer mit angeben!



**TM250**

# LIST OF THE EXPLODED VIEWS

*2° version - from s/n. 650877*



*1° version - till s/n. 650876*



**SHELL ASSY**

**SHELL ASSY**

**COOLING SYSTEM**

**COOLING SYSTEM**

**EVAPORATOR**

**HYDRAULIC CIRCUIT**

**HYDRAULIC CIRCUIT**

**ELECTRIC PARTS**

**ELECTRIC PARTS**

Rev. 4 - 25/05/2018



# TM250

2° Version From s/n. 650877

# SHELL ASSY

### Common Parts

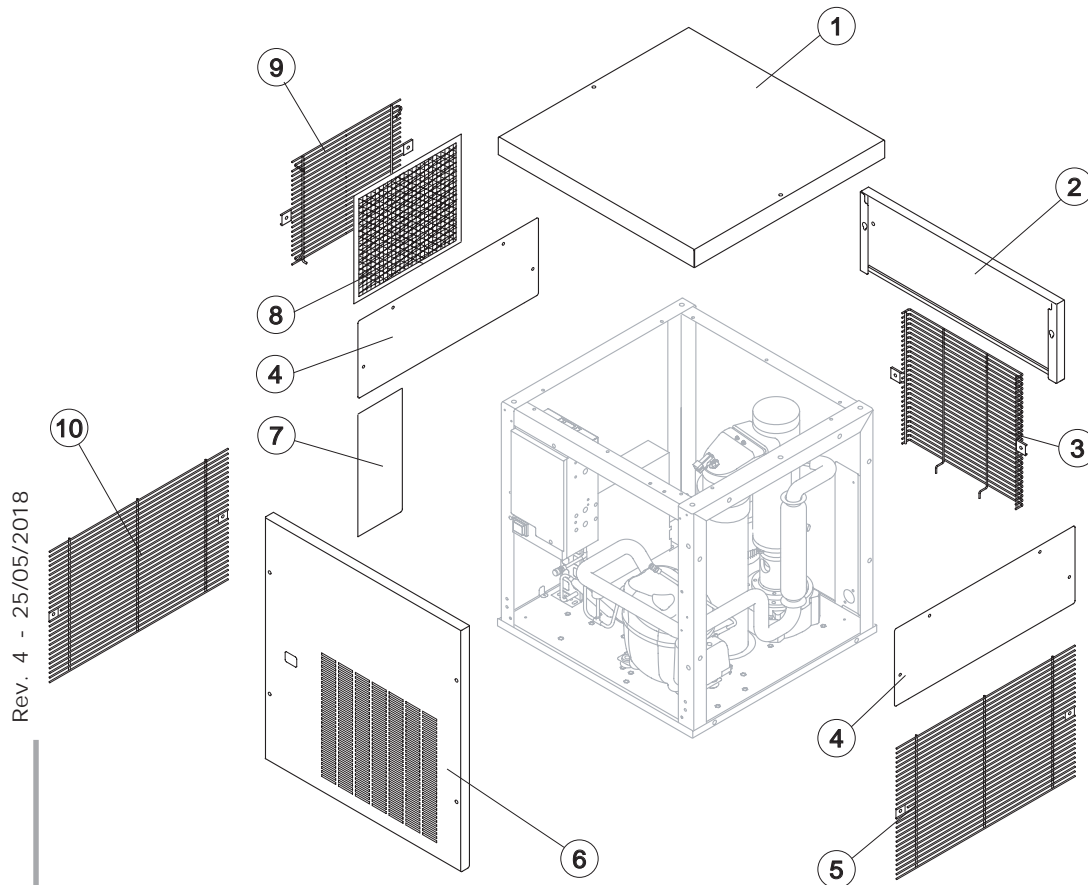
Ref.	Spare Description	Code
1	Top	221518
2	Back Panel	221513
3	Back Grill	D12091
4	Side Panel	221515
5	Right Side Grill	D12092
6	Front Panel	221511

### Parts for Air-Cooled Version Only

Ref.	Spare Description	Code
7	Left Side Panel	221517
8*	Filter	18246
9	Left Side Grill	D12093

### Parts for Water-Cooled Version Only

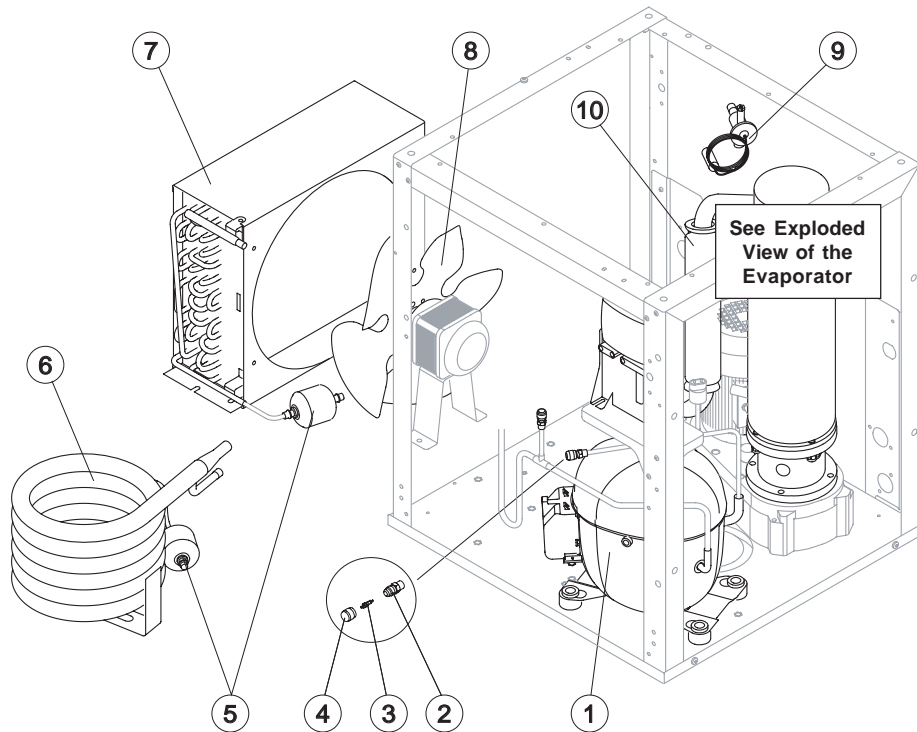
Ref.	Spare Description	Code
10	Left Side Grill	D12092



Rev. 4 - 25/05/2018



Rev. 4 - 25/05/2018



### Common Parts

Ref.	Spare Description	Code
1	Compressor	See Table
2	Vacuum-Charge Valve Body	14007
3*	Vacuum-Charge Valve Device	14005
4*	Vacuum-Charge Valve Plug	14006
5*	Molecular Drier	14089
9	Expansion Valve	20991
10	Suctin Line	for the spare parts code give us the s/n.

### Parts for Air-Cooled Version Only

Ref.	Spare Description	Code
7	Air Condenser	20924
8	Sucking Fan	20407

### Parts for Water-Cooled Version Only

Ref.	Spare Description	Code
6	Water Condenser	14678

### Rif. 1 - Compressor

Voltage	Code
T11	23986
T12	23964



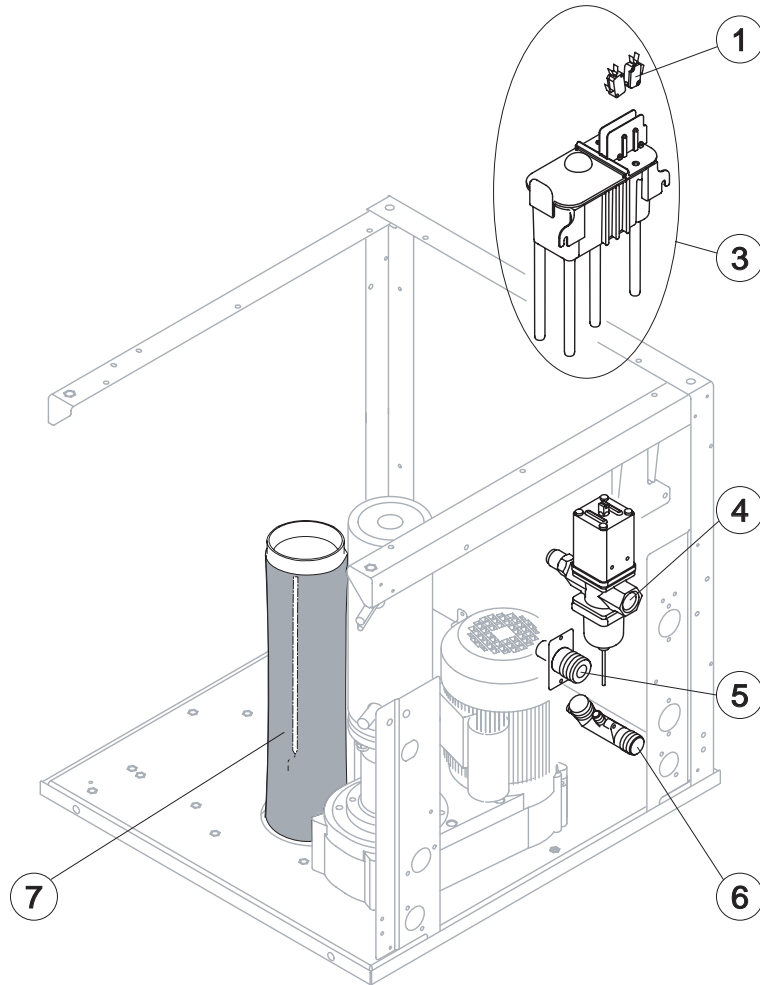
### Common Parts

Ref.	Spare Description	Code	
1	Microswitch	23055	
3*	Double Switch Basin Assembly	C10685	
6	Discharges Manifold	10579	
7	Ice Outlet Pipe with Bin Bulb Holder	Current Version	C10745
7	Ice Outlet Pipe with Bin Bulb Holder	Till s/n. 707238	C10699

### Parts for Water-Cooled Version Only

Ref.	Spare Description	Code
4	Water regulating valve assembly	C20967
5	Drain manifold	20984

Till



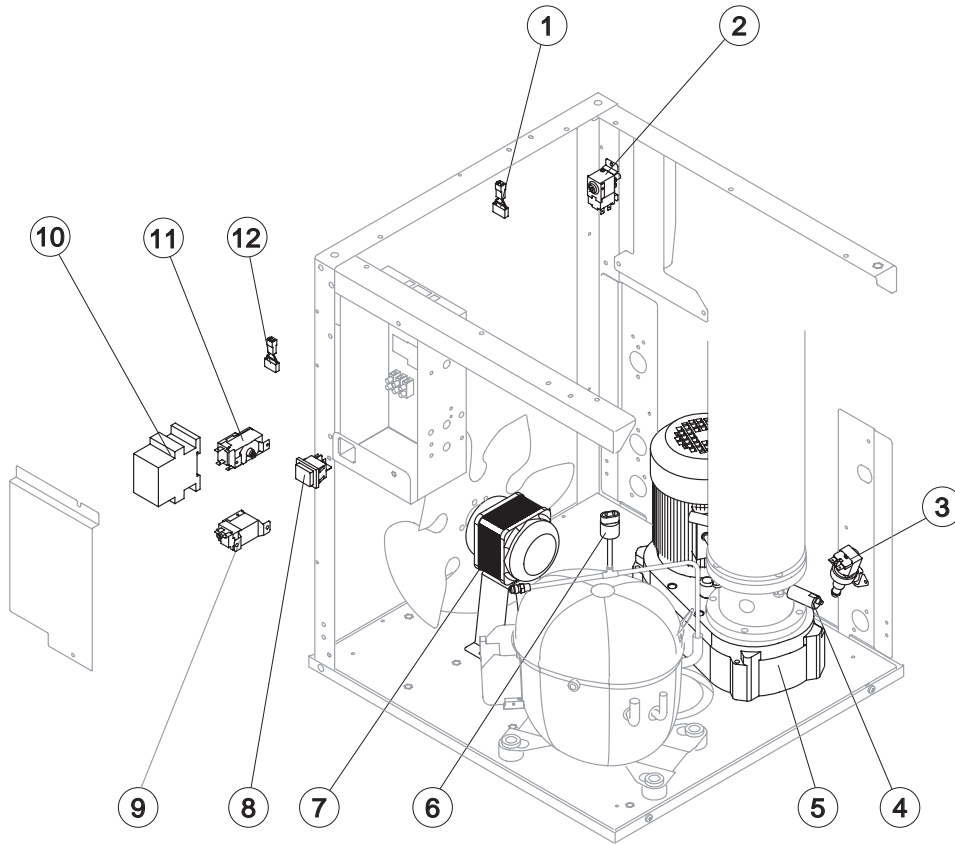
Rev. 4 - 25/05/2018



# TM250

2° Version From s/n. 650877

## ELECTRIC PARTS



### Common Parts

Ref.	Spare Description	Code
1	Anti Radio Interference Filter	T11 C23457
2	Safety Pressure-Switch	23342
3*	1 Way- Water Inlet Valve	23115
4	Rotation Sensor	R231028
5	Gearmotor	231030
6	Low Pressure Safety Switch	23909
8*	Green Light Switch (On-Off)	23327
10	Contactors	See Table
11*	Bin Thermostat	R231035

### Parts for Air-Cooled Version Only

Ref.	Spare Description	Code
7*	Fan Motor	23121
9*	Condenser Pressure Switch	23175
12	Anti Radio Interference Filter	T11 C23459

### Rif. 10\* - Contactor

Voltage	Code
T11	23147
T12	23963

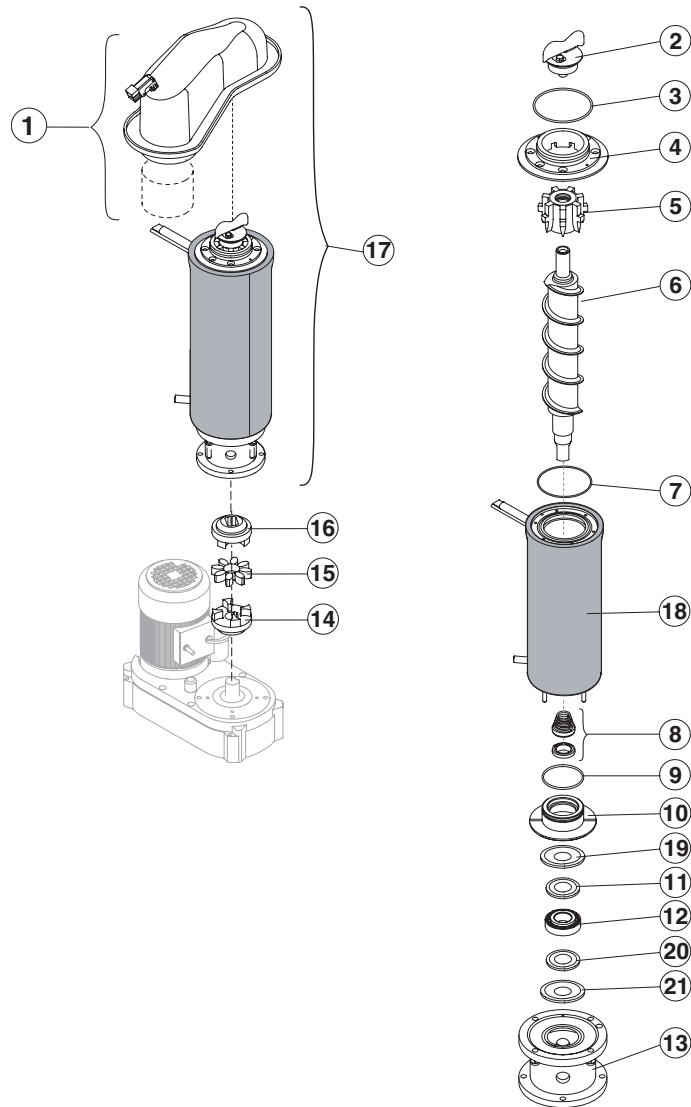
Rev. 4 - 25/05/2018



# TM 250

2° Version e 1° Version

# EVAPORATOR



Ref.	Spare Description (Current Version)	Code
1	Ice Exhaust with Micro Assy	Current Version RC10744
1	Ice Exhaust with Micro Assy	Till s/n. 707238 RC11220
2	Ice Breaker	Current Version C201133
2	Ice Breaker	Till s/n. 707238 C201055
3	OR Gasket 174	201035
4	Extruder cover	Current Version 201054
4	Extruder cover	Till s/n. 707238 C201054
5	Extruder with bearings	C201053
6	Auger	Current Version 201056
6	Auger	Till s/n. 708361 C201056
7	OR Gasket 3325 NBR70	201036
8	Ceramic Seal	201034
9	OR Gasket 3218 NBR70	20655
10	Reduction Ring	201057
11	Nilos ring	201114
12	Bearing	201032
13	Flange	Current Version 20644
13	Flange	From s/n. 773865 Till s/n. 892161 R20644
13	Flange	Till s/n. 773864 20644
14	Lower Joint	D20493
15	Elastomer	20494
16	Upper Joint	D20654
17	Evaporator Assy	C11214
18	Insulating Cap	18235
19	Support Ring	From s/n. 708362 201124
20	Lower Nilos ring	From s/n. 773865 Till s/n. 892161 R20644
21	Lower Support Ring	From s/n. 773865 Till s/n. 892161 R20644

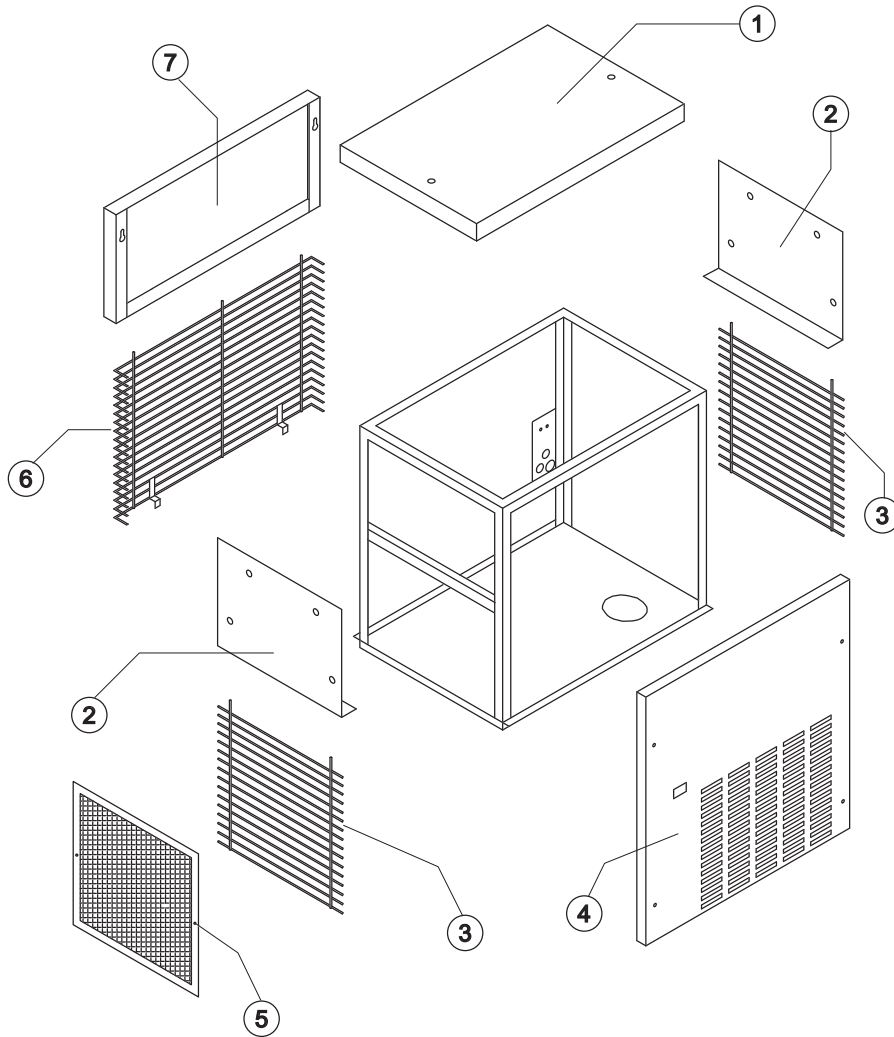
Rev. 4 - 25/05/2018



# TM250

1° Version Till s/n. 650876

## SHELL ASSY



### Common Parts

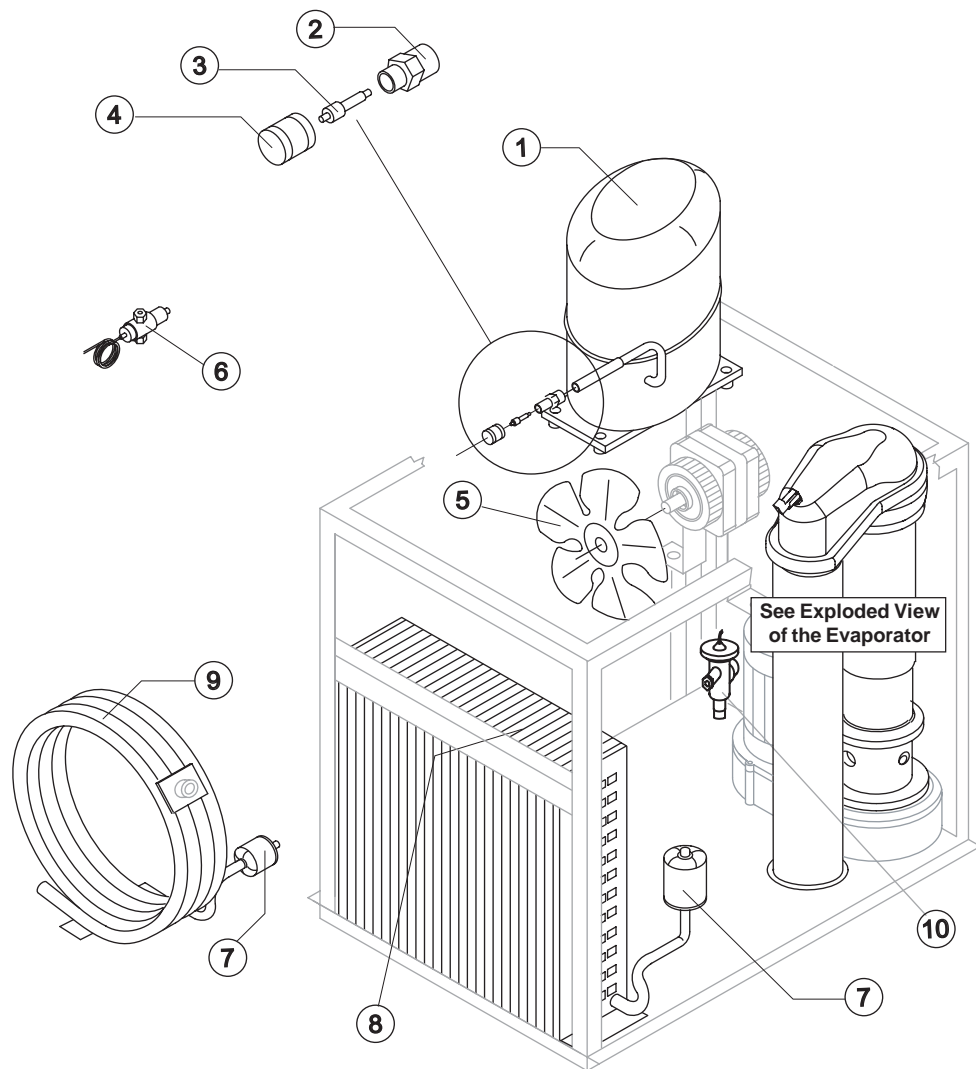
Ref.	Spare Description	Code
1	Top	221122
2	Right/Left Side Panel	22663
3	Lateral Grid	D12061
4	Front Panel Assembly	221138
6	Rear Grid	D12060
7	Rear Panel	22665

### Parts for Air-Cooled Version Only

Ref.	Spare Description	Code
5*	Filter	18163

Rev. 4 - 25/05/2018





Rev. 4 - 25/05/2018

### Common Parts

Ref.	Spare Description	Code
1	Compressor	23986
2	Vacuum-Charge Valve Body	14007
3*	Vacuum-Charge Valve Device	14005
4*	Vacuum-Charge Valve Plug	14006
7*	Solid Core Drier	14089
10	Expansion valve	20991

### Parts for Air-Cooled Version Only

Ref.	Spare Description	Code
6	Sucking Fan	20407
8	Air Condenser	20924

### Parts for Water-Cooled Version Only

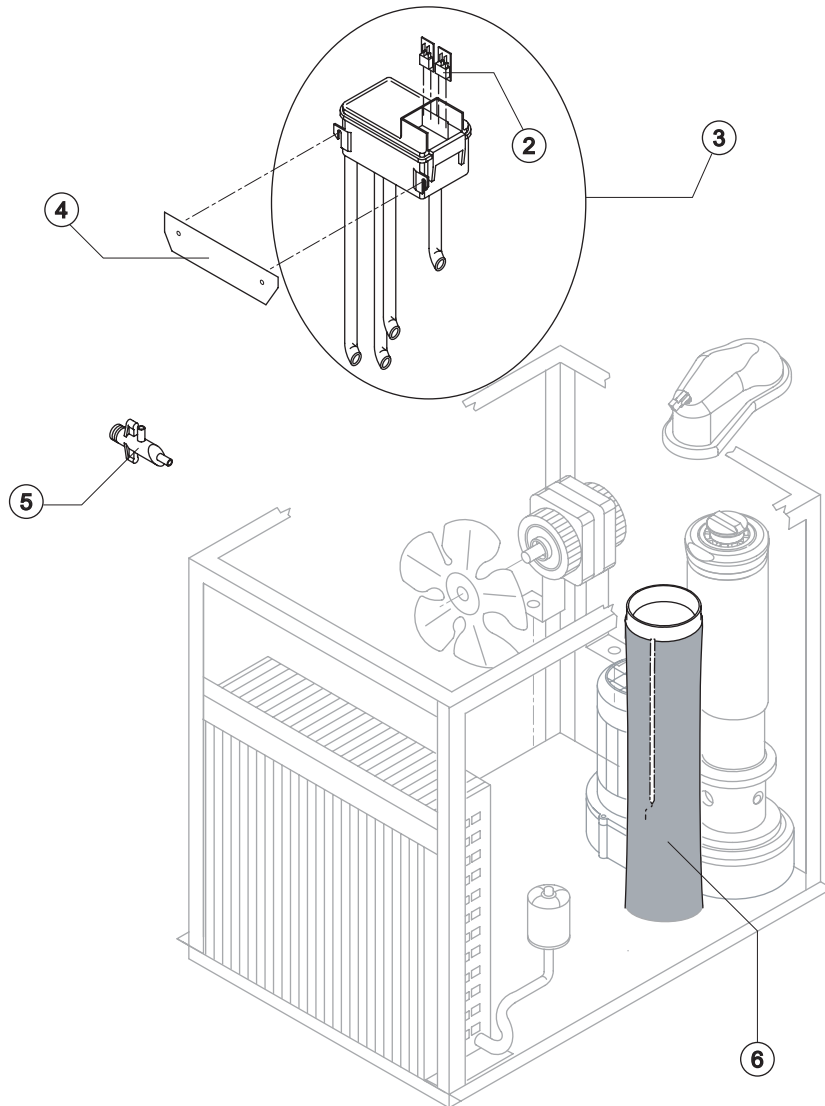
Ref.	Spare Description	Code
5	Pressostatic Valve	20210
6	Sucking Fan	10213
9	Water Condenser	14034



# TM250

1° Version Till s/n. 650876

## HYDRAULIC CIRCUIT



### Common Parts

Ref.	Spare Description	Code
2	Microswitch	23055
3*	Double Switch Basin Assembly	C10201
4	Basin Support Plate	21133
6	Ice Outlet Pipe Assy	C10699

### Parts for Air-Cooled Version Only

Ref.	Spare Description	Code
5	Discharges Manifold	10579

### Parts for Water-Cooled Version Only

Ref.	Spare Description	Code
5	Discharges Manifold	C10053

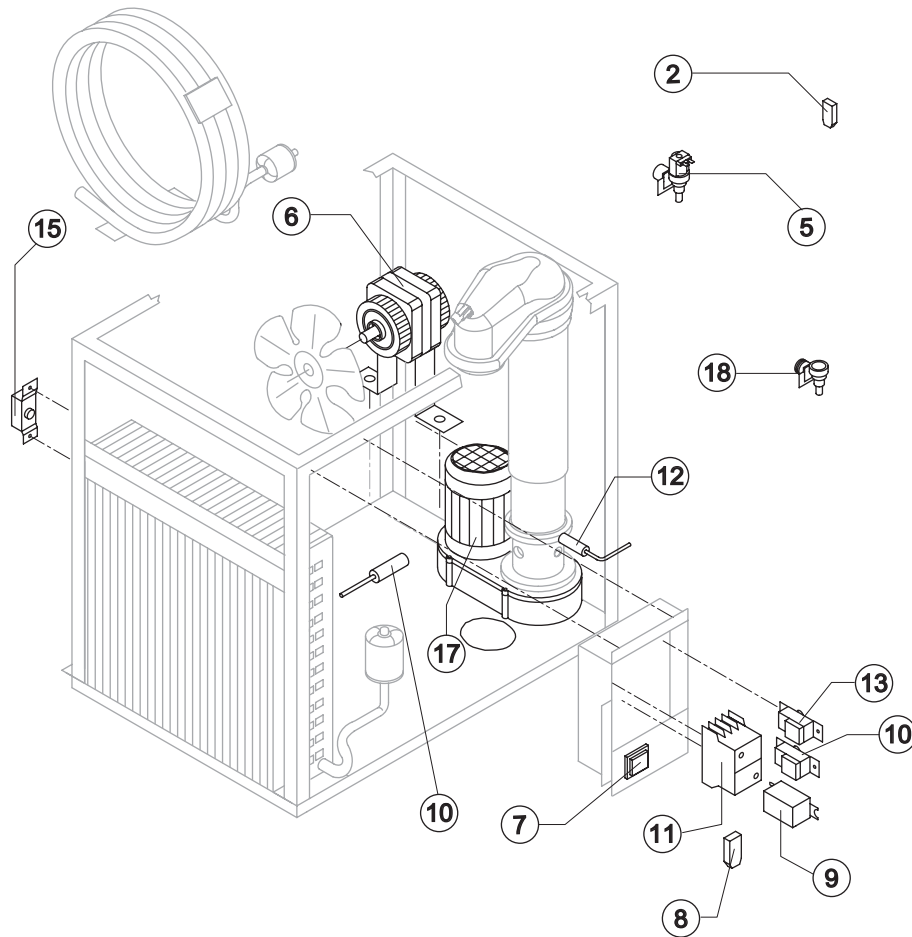
Rev. 4 - 25/05/2018



# TM250

1° Version Till s/n. 650876

## ELECTRIC PARTS



### Common Parts

Ref.	Spare Description	Code
1	Anti Radio Interference Filter	C23457
3*	1 Way- Water Inlet Valve	23115
4*	Rotation Sensor	R231028
5*	Bin Thermostat	R231035
8*	Contactor	23147
9*	Green Light Switch (On-Off)	23327
11	Low pressure safety switch	23909
12	Safety Pressure Switch	23342
17	Gearmotor	231030

### Parts for Air-Cooled Version Only

Ref.	Spare Description	Code
6*	Condenser Pressure Switch	23175
7	Anti Radio Interference Filter	C23459
13*	Fan Motor	23121

### Parts for Water-Cooled Version Only

Ref.	Spare Description	Code
2*	1 Way- Water Inlet Nipple	10368
13*	Fan Motor	23029

Rev. 4 - 25/05/2018