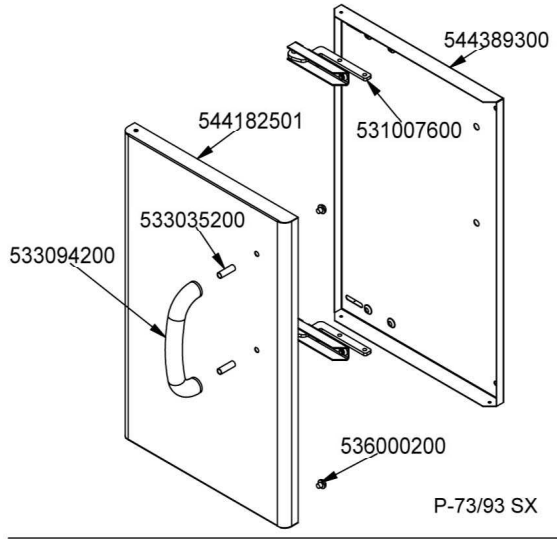
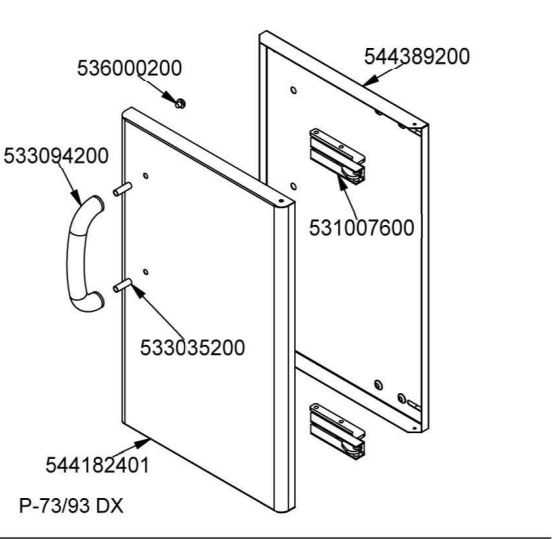


	*	**
G30-28+30mbar G31- 37mbar	533020200	533030900
G30- 50mbar	533020200	533015200
G20- 20mbar G25- 25mbar	533020300	533055800
G20- 20mbar DE-AT	533020300	533055800
G25- 20mbar	533020300	533055600
G25- 25mbar NL	533020300	533055900

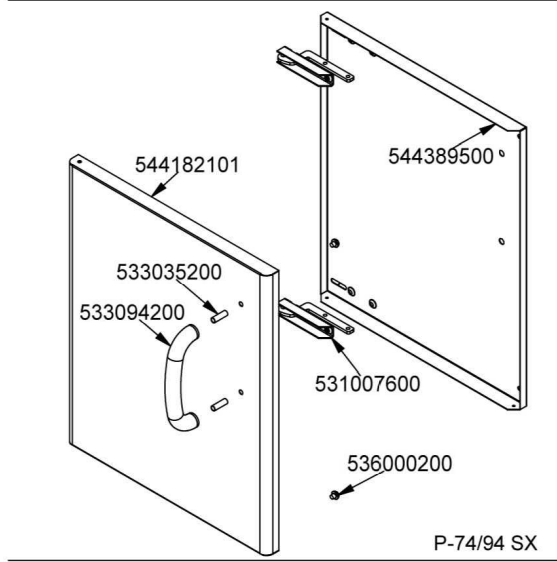
560027901M00P00



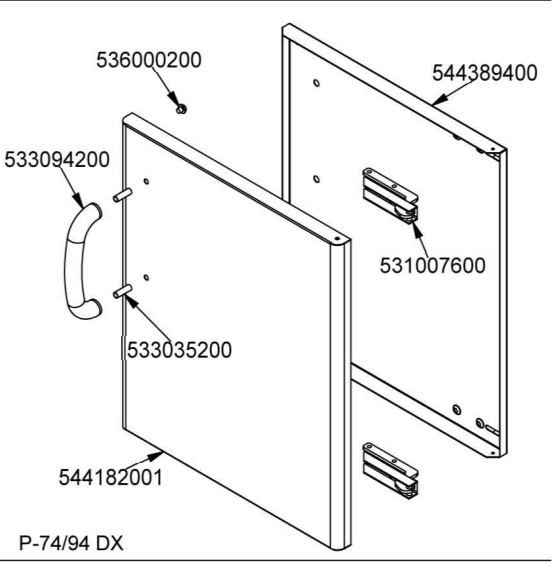
P-73/93 SX



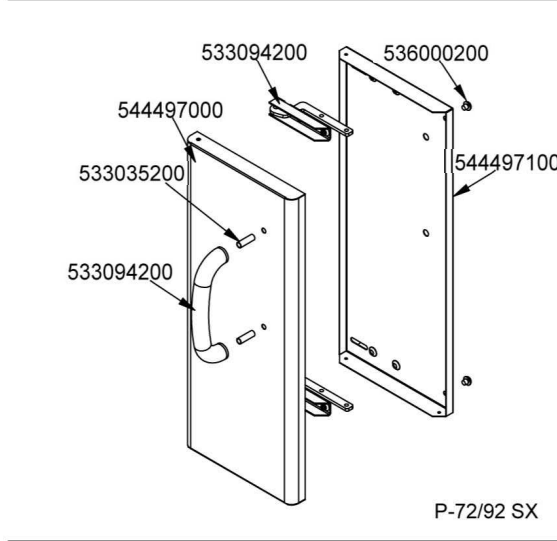
P-73/93 DX



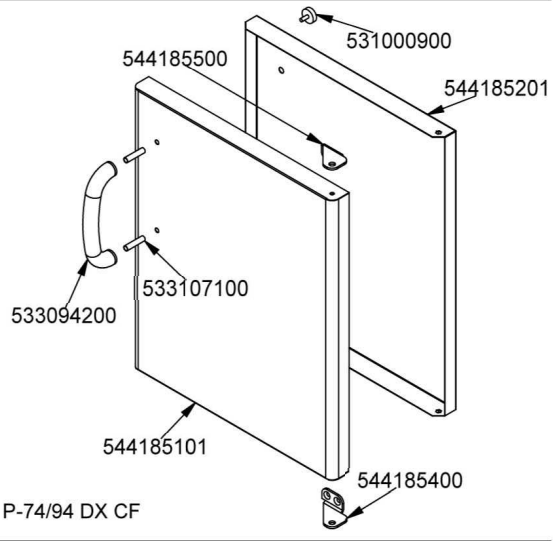
P-74/94 SX



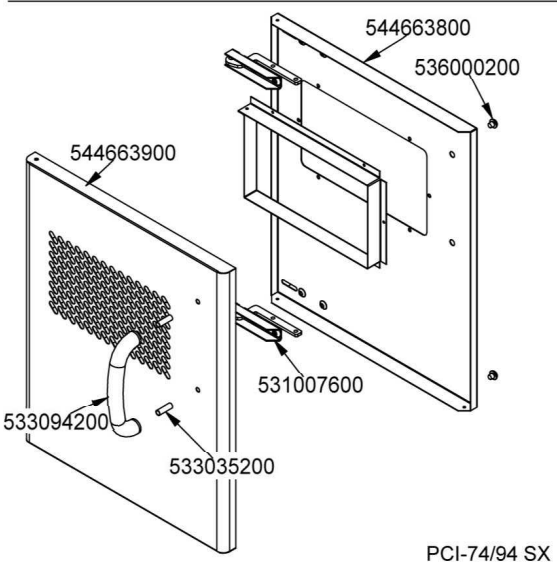
P-74/94 DX



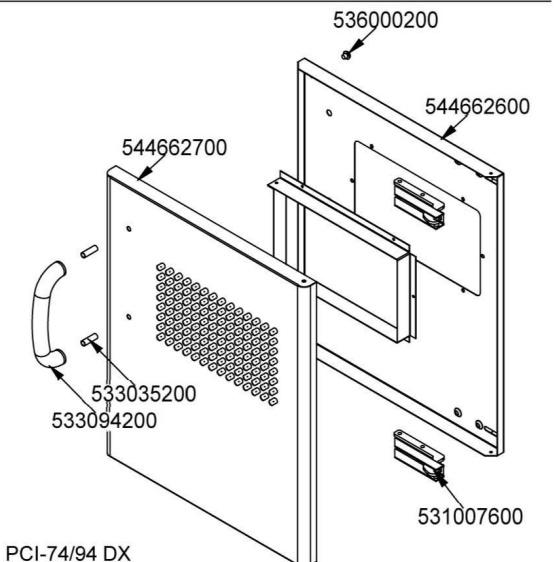
P-72/92 SX



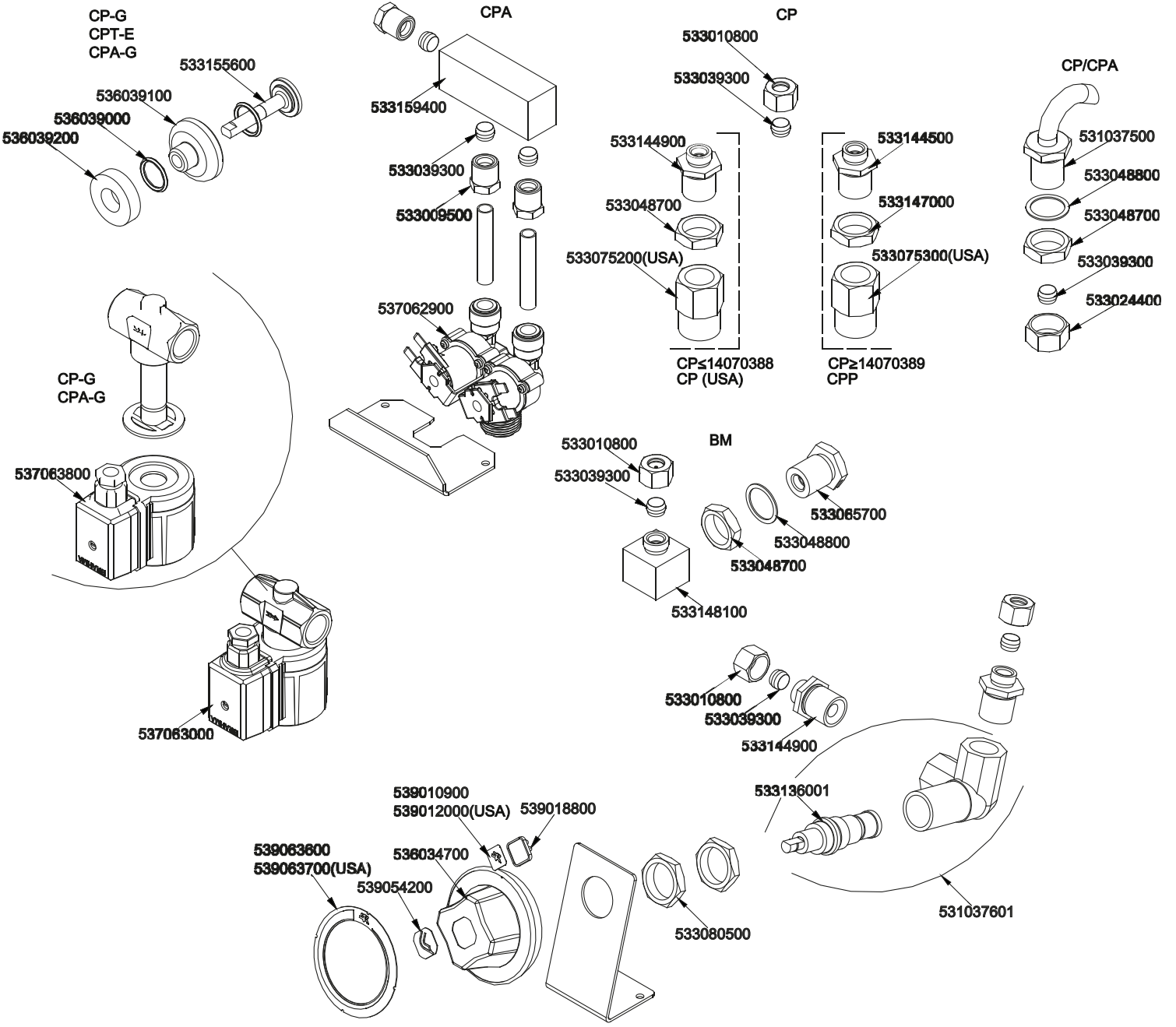
P-74/94 DX CF



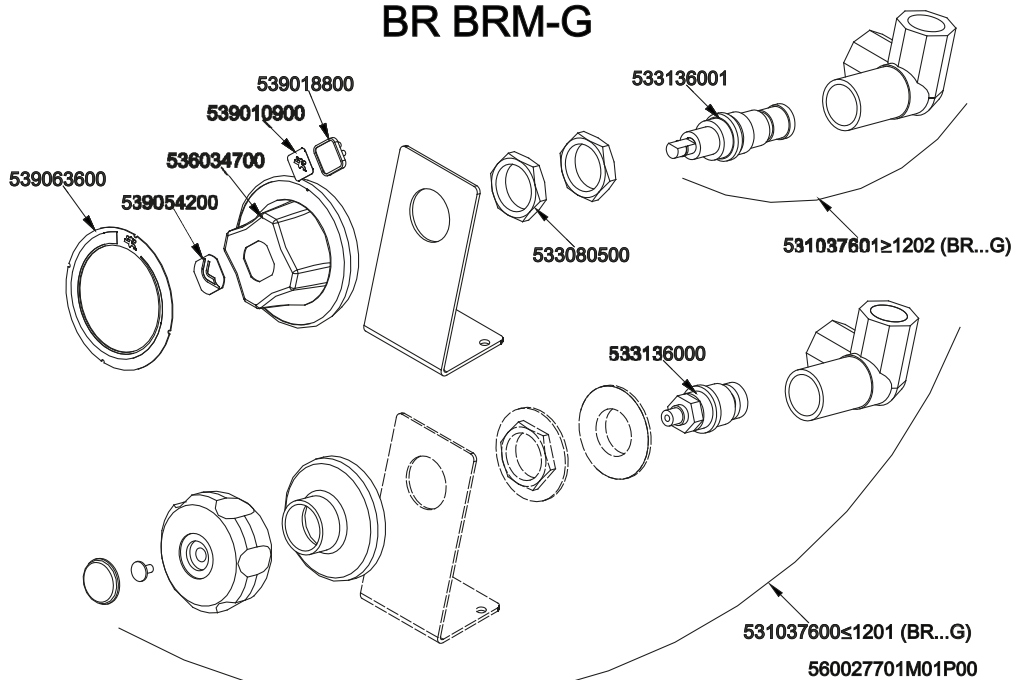
PCI-74/94 SX

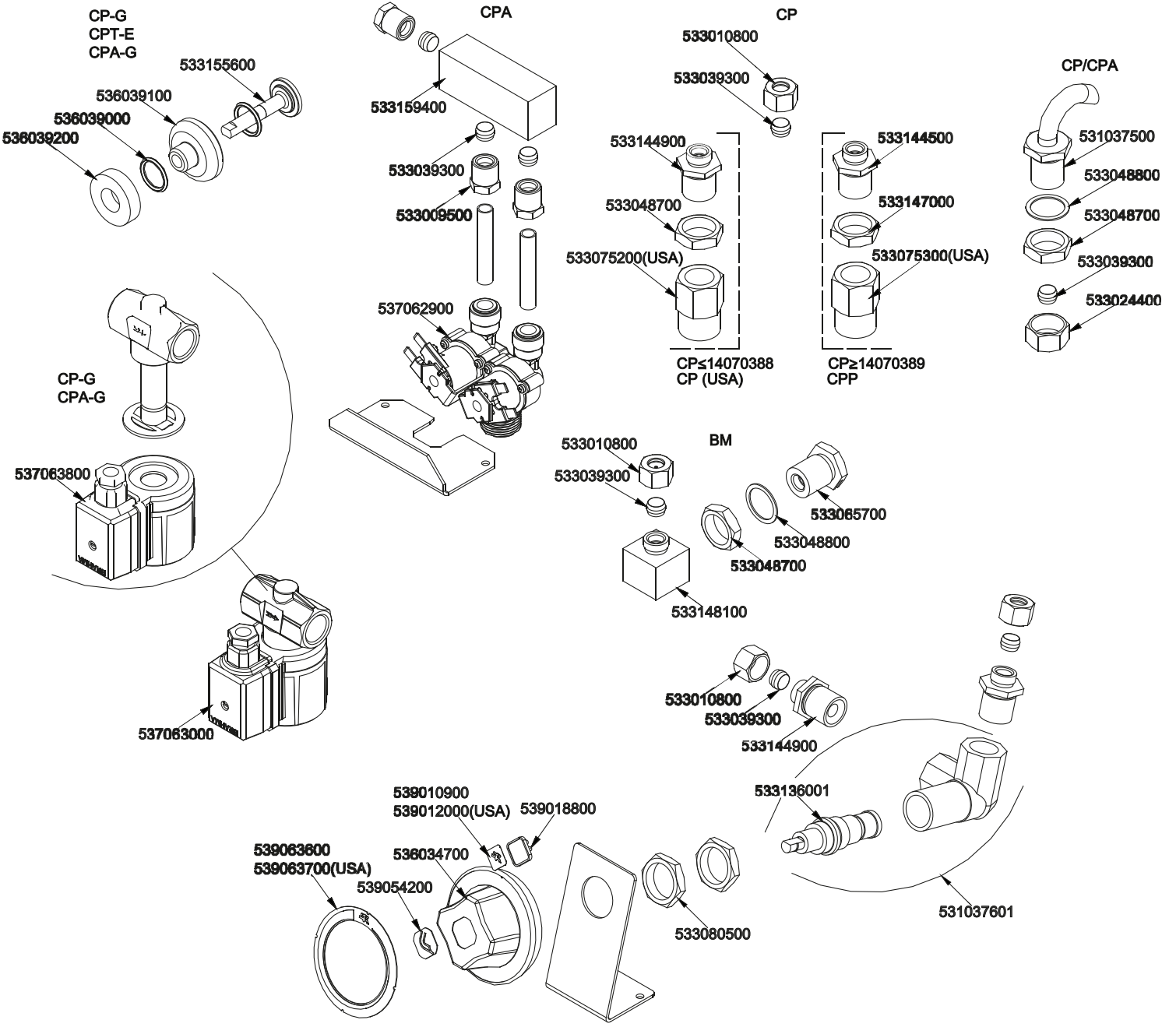


PCI-74/94 DX

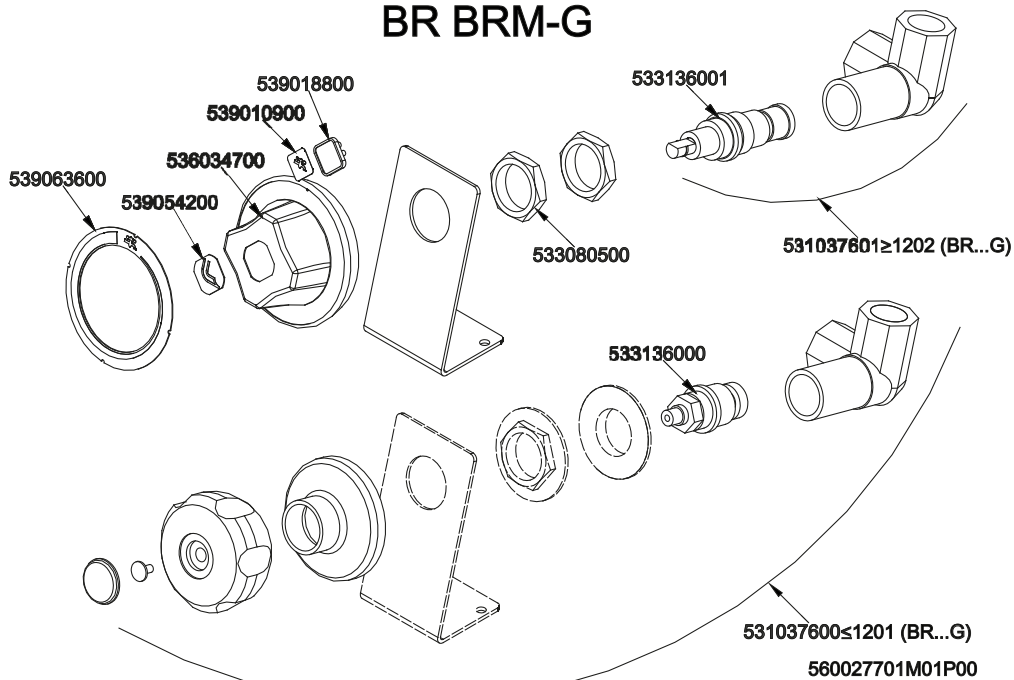


BR BRM-G





BR BRM-G



Page	Pos	Code	Description
001		532004100	FLUE GRID L=370 90LINE (RAF
001		531047200	BASKET SUPPORT GRID CPB 70LINE
001		544425400	SUPP.CESTO SCOLO CPB S90
001		541115801	ASS.PIANO S90 CPB-98G
001		541319500	ASS.PIANO S90 CPBA-98G
001		546005500	RUBBER TUBE §25INT.*§33EXT.XL=660
001		531018600	BALL VALVE 1"G M-F CPM-62G
001		533157400	FERMO PROLUNGA RUBINETTO 1"G Ø14
001		533157300	PROLUNGA RUB.1"G S90
001		533039900	PIPE HOLDER 1" G M D.24
001		531042800	SEMISPHERE FILTER
001		544407400	LEFT SIDE PANEL 70 LINE
001		533040000	1"G F-F-F "T" FITTING
001		533149500	PROLUNGA 1 G M/M FE ZINC L100
001		533157500	RACC.A GOM.90° 1 G F.F.
001		541146000	BURNER SUPPORT CPB-98G
001		531034700	TUBULAR BURNER 10,5KW CPB-98G
001		541121002	ASS.CRUSC.S607090 CPB-98G
001		541319100	ASS.CRUSC.LT CPBA-98G
001		537062800	CENTR.SENS.ACQUA E RAB.CP 230V
001		544407300	RIGHT SIDE PANEL 90 LINE
001		536005200	INOX LEG 2" 120-180 M10
001		537003800	TERMINAL BLOCK 3POLES 16A
002		533100700	GASKET §21
002		533100601	RACC.M24X1,5 F 1/2G M
002		539018900	INDEX FOR KNOB W/RED SIGN
002		533039100	BICONE §6
002		533018500	FITTING FOR BICONE D.6 M10*1
002		536034600	KNOB §77 4P. §10*8
002		539062800	RED STICKING DISK 72
002		539054200	STAMP Ø20,5 CR."L" LOTUS R.
002		533097100	BY-PASS FOR 24ST TAP 23SV D190
002		531046300	GAS TAP 23SO P.O.BY-P.Ø190
002		533076600	BICONE §20
002		533076400	HEXAGONAL NUT FOR BICONE DIAM.20
002		537031901	RED WARNING LIGHT PCI 12V E FASTON
002		537015601	P.D.INTERR.IST.NERO FULMINE
002		537001701	P.D.INTERR.LUM.VERDE 0 1
002		537059500	
002		537059600	
002		537060300	IGNITION CONTROL BOX 2F. V30
002		533011500	PILOT BURNER 2 FLAMES 220
002		533039400	THERMOCOUPLE M9*1*850
002		533010400	BICONE D.6
002		533018600	PLUG FITTING
002		547002600	HIGH-VOLTAGE CABLE L=500
002		533085200	SPACER FOR PILOT PLUG
002		537008300	ROUND PLUG §2,4- LONG ELECTRODE
002		533020200	PILOT JETS 0160 FOR LPG §30
002		533020300	NOZZLE 0160 (NATURAL GAS) 1-2 (41
002		533030900	NOZZLE §165 CH12X14 H-CW

Page	Pos	Code	Description
002		533015200	NOZZLE §145 CH12*14 F-FP/CP6
002		533055800	NOZZLE CH12X14,0 Ø250
002		533055600	NOZZLE §280 CH12*14
002		533055900	NOZZLE CH12X14,0 Ø265
003		544389300	CONTROP.73 SX APP. LT
003		531007600	DOOR HINGE
003		544182501	LEFT DOOR 73
003		533094200	S/S HANDLE FOR 70/90 SERIES
003		533035200	HANDLE SPACER
003		536000200	D.12 H.4 BUMPER
003		544389200	CONTROP.73 DX APP. LT
003		544182401	RIGHT DOOR 73
003		544182101	LEFT DOOR 74
003		544389500	INNER-DOOR OF LHD 74
003		544389400	CONTROP.74 DX APP. LT
003		544182001	RIGHT DOOR 74
003		544497000	PORTA 72 SX
003		544497100	CONTROP.72 SX APP. LT
003		544185101	RIGHT DOOR 74 CF
003		533107100	HANDLE SPACER OF CF-70
003		544185500	UPPER DOOR HINGE FOR COMPARTME CF70
003		531000900	MAGNET §22 KG.3 WITH DISK
003		544185201	INNER DOOR * 74DX
003		544185400	LOWER DOOR HINGE FOR COMPARTME CF70
003		544663900	LHD 74 DOOR FOR PCI
003		544663800	74 LHD OVEN INNER DOOR FOUR PCI
003		544662700	DOOR 74 DX PCI
003		544662600	CONTROP.74 DX APP. LT PCI
004		533010800	TUBE NUT D.10 M16*1,5
004		533155600	PERNO PER SENSORE ACQUA
004		536039100	GUIDA PER SENSORE ACQUA
004		536039000	GUARNIZ.O-RING 12,42X1,78 SILIC.
004		536039200	DISTANZIALE PER SENSORE ACQUA
004		533039300	BICONE §10
004		533159400	RACC.UN.2 U.ELETTROV.ACQUA CP
004		533144500	FITTING FOR WATER INPUT 3/4G
004		531037500	RACCORD CA.H2O 1/2G CAN.D10
004		533144900	MALE FITTING WATER INLET M16X1,5
004		533048700	NUT 1/2G ZN
004		533048800	GASKET §30*§21*2 FIBRE
004		533147000	BICONE FITTING 3/4G ZN
004		533009500	NIPPLE FOR BICONE 10S
004		533024400	HEXAGONAL NUT 1/2G TUBE D.10
004		537062900	ELETTROV.A.3/4GM-2Ø10JG 230V RPV
004		537063800	COIL ELECTROV.G.1/2GF 230V
004		533065700	FITTING FOR WATER INPUT 1/2G
004		533148100	RACC.A GOM.90° 1/2G F.M16X1,5M. (S
004		537063000	ELETTROV.G.1/2GF-1/2GF 230V
004		539010900	ADHESIVE LABEL FOR DRAIN COCK
004		533136001	SCREW TAP WATER LOAD FOR CP S70/90
004		539012000	ADHESIVE LABEL FOR DRAIN COCK USA

Page	Pos	Code	Description
004		539018800	BLANK INDEX FOR KNOB
004		539063600	ADHESIVE DISK 72 FOR DRAIN COCK
004		539063700	ADHESIVE DISK 72 FOR DRAIN COCK USA
004		536034700	KNOB §77 4P. §08*6,5 F§30
004		539054200	STAMP Ø20,5 CR."L" LOTUS R.
004		531037601	TAP FOR WATER 90°DX CP
004		533136000	SCREW TAP WATER LOAD FOR CP S70/90
004		531037600	TAP FOR WATER LOADING 1/2"GF CP 90
005		533010800	TUBE NUT D.10 M16*1,5
005		533155600	PERNO PER SENSORE ACQUA
005		536039100	GUIDA PER SENSORE ACQUA
005		536039000	GUARNIZ.O-RING 12,42X1,78 SILIC.
005		536039200	DISTANZIALE PER SENSORE ACQUA
005		533039300	BICONE §10
005		533159400	RACC.UN.2 U.ELETTROV.ACQUA CP
005		533144500	FITTING FOR WATER INPUT 3/4G
005		531037500	RACCORD CA.H2O 1/2G CAN.D10
005		533144900	MALE FITTING WATER INLET M16X1,5
005		533048700	NUT 1/2G ZN
005		533048800	GASKET §30*§21*2 FIBRE
005		533147000	BICONE FITTING 3/4G ZN
005		533009500	NIPPLE FOR BICONE 10S
005		533024400	HEXAGONAL NUT 1/2G TUBE D.10
005		537062900	ELETTROV.A.3/4GM-2Ø10JG 230V RPV
005		537063800	COIL ELECTROV.G.1/2GF 230V
005		533065700	FITTING FOR WATER INPUT 1/2G
005		533148100	RACC.A GOM.90° 1/2G F.M16X1,5M. (S
005		537063000	ELETTROV.G.1/2GF-1/2GF 230V
005		539010900	ADHESIVE LABEL FOR DRAIN COCK
005		533136001	SCREW TAP WATER LOAD FOR CP S70/90
005		539012000	ADHESIVE LABEL FOR DRAIN COCK USA
005		539018800	BLANK INDEX FOR KNOB
005		539063600	ADHESIVE DISK 72 FOR DRAIN COCK
005		539063700	ADHESIVE DISK 72 FOR DRAIN COCK USA
005		536034700	KNOB §77 4P. §08*6,5 F§30
005		539054200	STAMP Ø20,5 CR."L" LOTUS R.
005		531037601	TAP FOR WATER 90°DX CP
005		533136000	SCREW TAP WATER LOAD FOR CP S70/90
005		531037600	TAP FOR WATER LOADING 1/2"GF CP 90