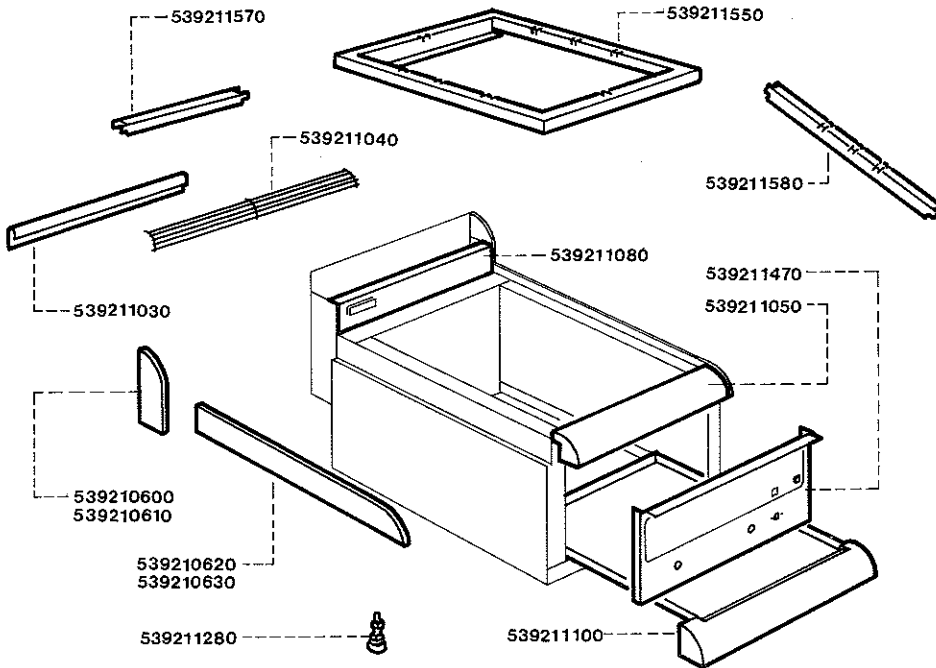
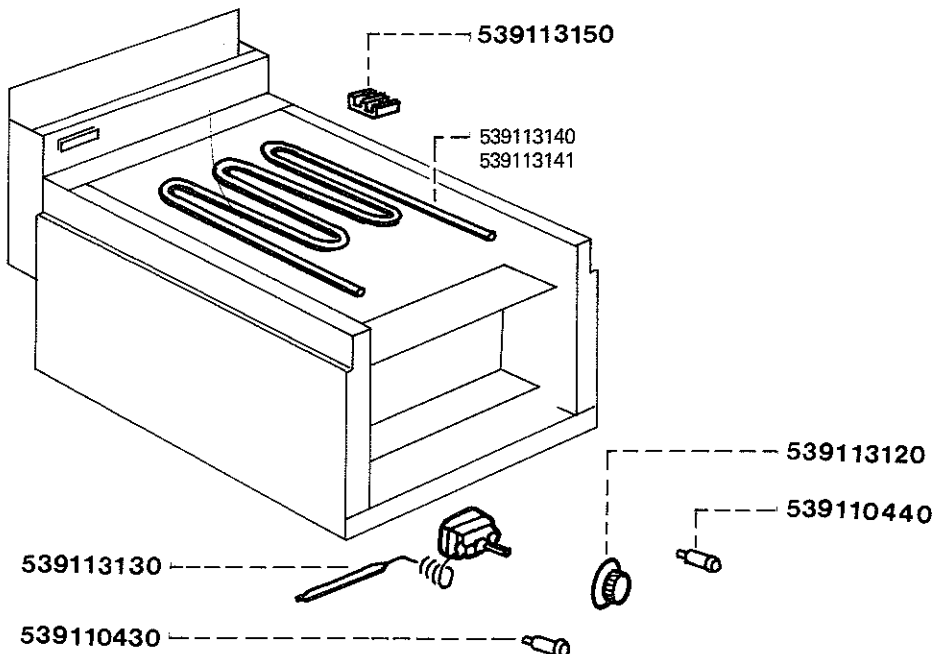


E350/42 BAIN MARIE



Fitments

Code No.	Description
12C	539210600 Rear Cheek—LH
12C	539210610 Rear Cheek—RH
7D	539210620 Side Cheek—LH
7D	539210630 Side Cheek—RH
6C	539211030 Flue Trim
9C	539211040 Flue Grid
10D	539211050 Hob Rail
11C	539211080 Flue Front
1D	539211100 Drip Tray
9A	539211280 Foot
9D	539211470 Control Panel
7F	539211550 Support Assembly
5C	539211570 Centre Bridge Bar
8C	539211580 Intermediate Bridge Bar



Controls

Code No.	Description
7B	539110430 Lamp Indicator (Amber)
7B	539110440 Lamp Indicator (Red)
5B	539113120 Control Knob
1E	539113130 Thermostat
4E	539113131 Thermostat c/w Knob
1F	539113140 Element—240V
1F	539113141 Element—220V
2B	539113150 Terminal Block

Falcon Catering Equipment

Commercial and institutional catering equipment

Falcon Catering Equipment is a business name of Glynwed Consumer & Building Products Ltd. a member of the Glynwed International plc group of companies

Sheet Reference Number

E350/42'1183'001

