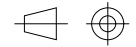


IF IN DOUBT ASK!!

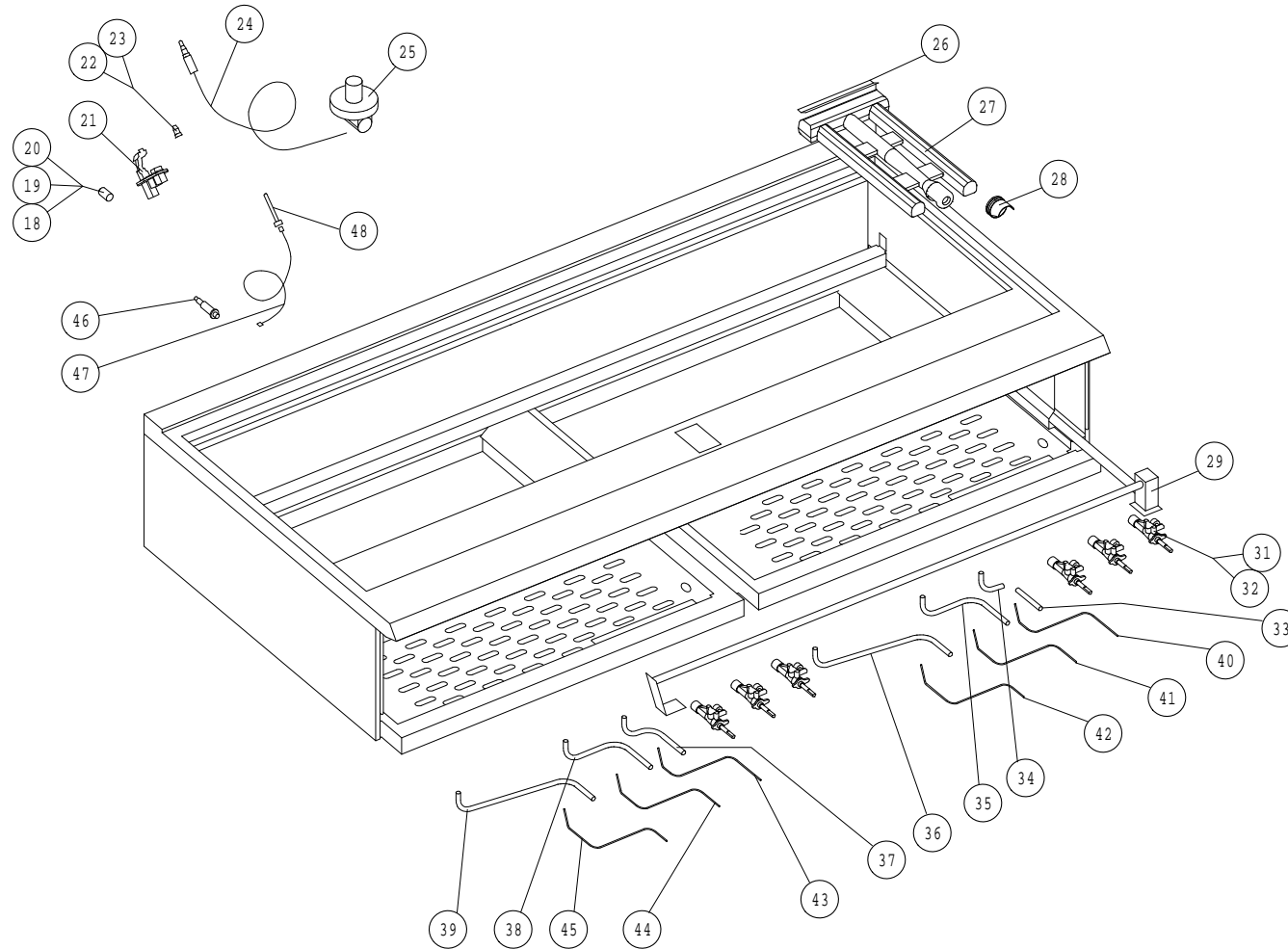
DO NOT SCALE !!

First Angle Projection



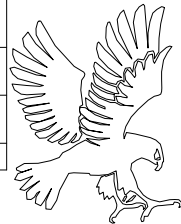
G21824B CHARGRILL - CONTROLS

Part No.	Spares No.	Description
18	536000025	Burner Injector (Natural Gas)
19	536000026	Injector Holder (Propane Gas)
20	536000027	Amal Jet (Propane Gas)
21	536000028	Pilot Burner
22	536000029	Pilot Jet (Natural Gas)
23	536000030	Pilot Jet (Propane Gas)
24	536000031	Thermocouple
25	536000032	Gas Governor (Natural Gas) - 1/2"BSP
	536000044	Gas Governor (Natural Gas) - 3/4"BSP
26	536000033	Burner Shield
27	536000034	Burner
28	536000035	Burner Aeration Shroud
29	536040007	Float Rail Assembly
30	536000036	Pressure Test Nipple (Not Shown)
31	536000037	Gas Control Valve (Natural Gas)
32	536000038	Gas Control Valve (Propane Gas)
33	536000039	RH Burner Pipe (Tap To Elbow)
34	536040008	RH Burner Pipe (Elbow To Burner)
35	536040009	RH Inner Burner Pipe
36	536040010	RH Centre Burner Pipe
37	536040011	LH Centre Burner Pipe
38	536040012	LH Inner Burner Pipe
39	536040013	LH Burner Pipe
40	536040014	RH Pilot Pipe
41	536040015	RH Inner Pilot Pipe
42	536040016	RH Centre Pilot Pipe
43	536040017	LH Centre Pilot Pipe
44	536040018	LH Inner Pilot Pipe
45	536040019	LH Pilot Pipe
46	535950020	Spark Igniter
47	535950021	Electrode Lead
48	535950022	Pilot Electrode



All Dimensions in millimetres, Tolerance- Linear $\pm 0.5\text{mm}$ Angular $\pm 0.5^\circ$ (or as stated)

Issue	Mod No.	Alteration	Zone	Drawn by	Date
B	5358	3/4"BSP GOVERNOR ADDED		I. HAMILTON	26-04-06
A	979	ISSUED FOR PRODUCTION		I. HAMILTON	15-12-03



This part is common to the following units

© No reproduction or publication of this drawing may be made and no article may be manufactured or assembled in accordance with this drawing without prior written consent. The prohibition is a condition of any contract relating to this drawing. Rights reserved under the Copyright Act 1956 as amended by the Design Copyright Act 1988.

UNCONTROLLED

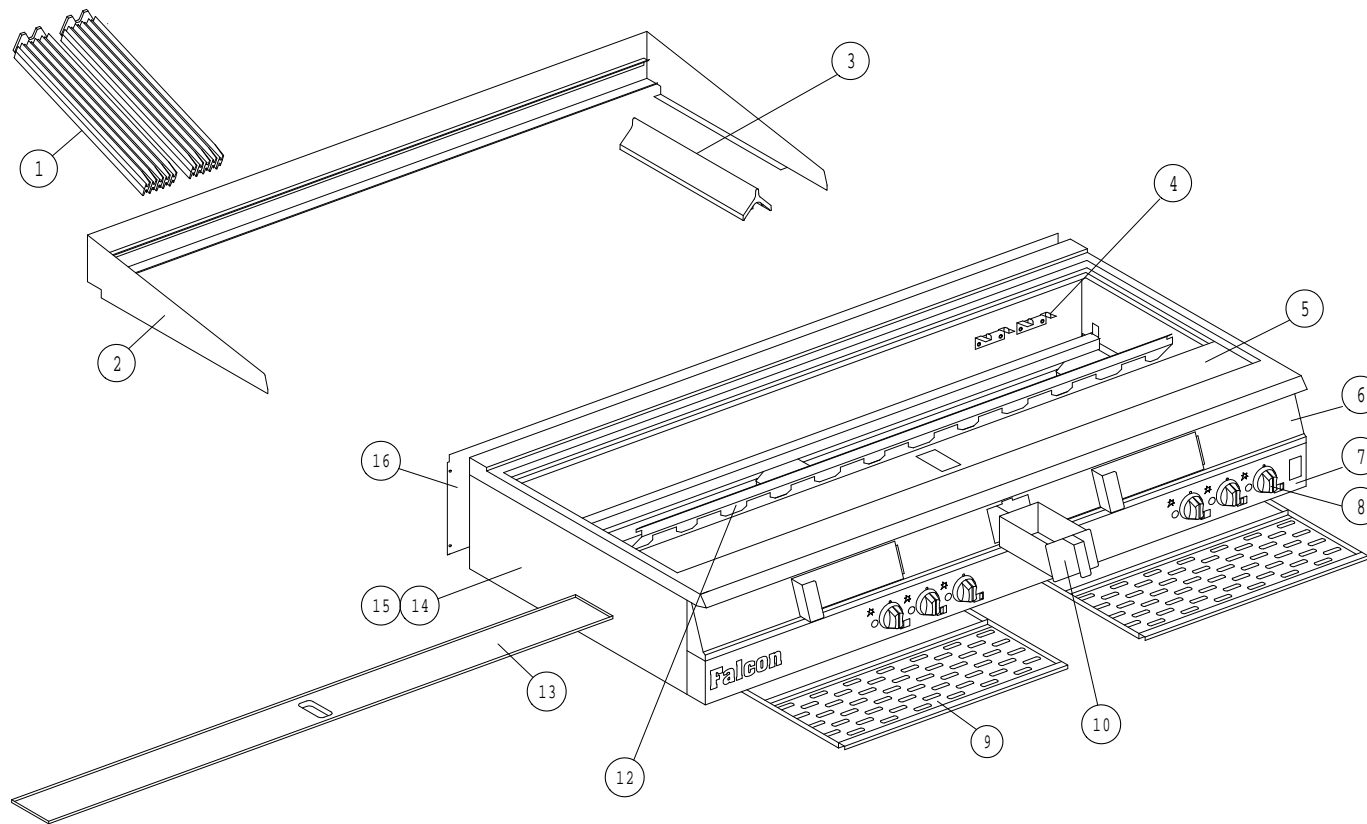
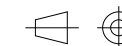
Drawn	I. HAMILTON	Product	G21824B CHARGRILL	
Date	09-12-03	Title	SPARES DIAGRAM - CONTROLS	
Scale	N. T. S.	Matl.	Drawing Number	Issue
Bin No.		Finish	AD42598	B
		Kraus No.		

Falcon Foodservice Equipment. Wallace View Hillfoots Road Stirling Scotland

IF IN DOUBT ASK!!

DO NOT SCALE !!

First Angle Projection



G21824B CHARGRILL - FITMENTS

Part No.	Spares No.	Description
1	536000018	Branding Grid
2	536040000	Splash Guard Assembly
3	536000019	Burner Baffle
4	536000020	Baffle Support Angle
5	536040001	Hob Assembly
6	536040003	Upper Front Facia Assembly
7	536041000	Lower Front Facia (Spark Ignition)
8	536000021	Control Knob
9	536010003	Drip Tray
10	536000013	Fat Jug Assembly
11	536000022	Magnetic Door Catch (Not Shown)
12	536040004	Brander Support Angle
13	536040005	Spill Tray
14	536000023	Outer Side Panel - LH
15	536000024	Outer Side Panel - RH
16	536040006	Outer Back Panel

All Dimensions in millimetres, Tolerance- Linear ±0.5mm Angular ±0.5° (or as stated)

Issue	Mod No.	Alteration	Zone	Drawn by	Date
A	979	ISSUED FOR PRODUCTION		I. HAMILTON	15-12-03



Drawn	I. HAMILTON	Product	G21824B CHARGRILL	
Date	09-12-03	Title	SPARES DIAGRAM - FITMENTS	
Scale	N. T. S.	Matl.	_____	Drawing Number
		No. off	_____	Issue
		Bin No.	_____	AD42597
		Kraus No.	_____	A

No reproduction or publication of this drawing may be made and no article may be manufactured or assembled in accordance with this drawing without prior written consent. This prohibition is a condition of any contract relating to this drawing. Rights reserved under the Copyright Act 1956 as amended by the Design Copyright Act 1988.

This part is common to the following units

UNCONTROLLED

Falcon Foodservice Equipment. Wallace View Hillfoots Road Stirling Scotland