

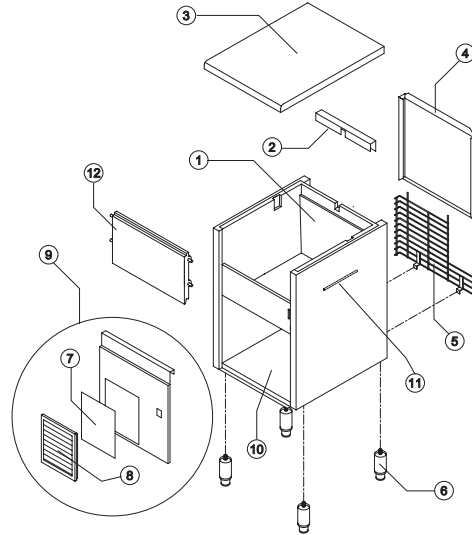


# GB 1555

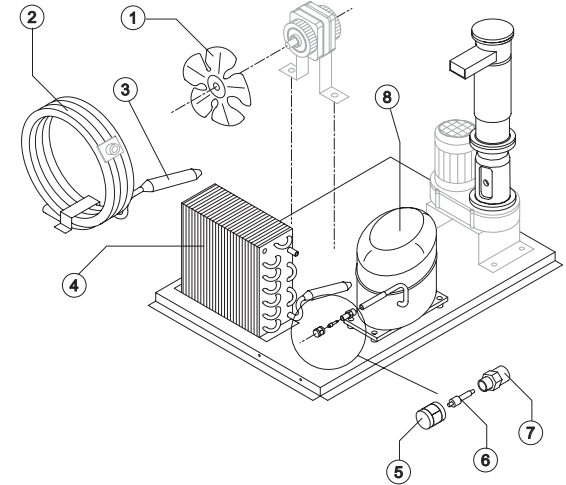
## LIST OF THE EXPLODED VIEWS



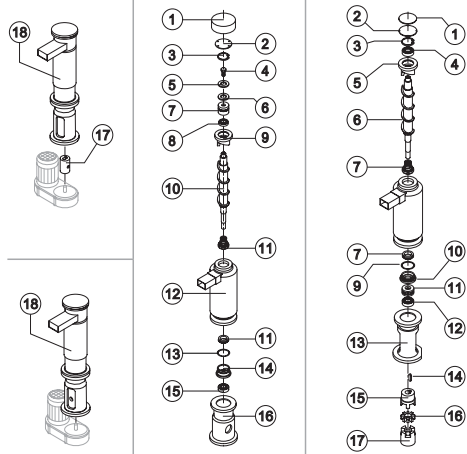
### SHELL ASSY



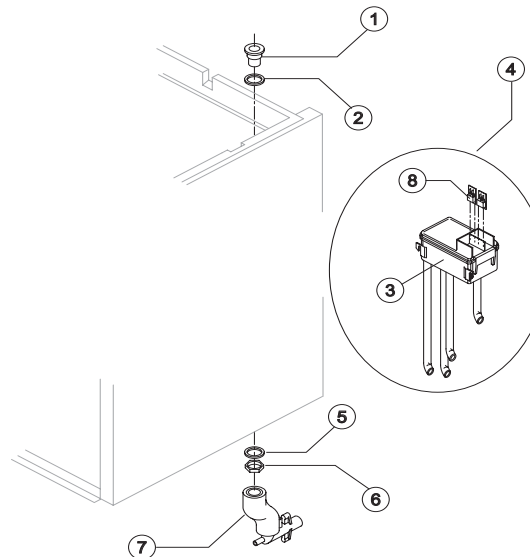
### COOLING SYSTEM



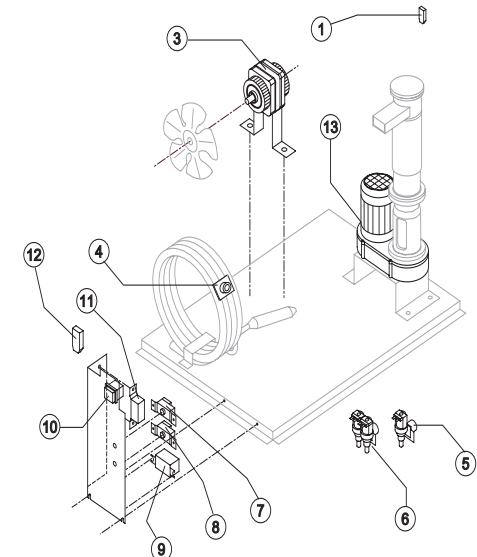
### EVAPORATOR



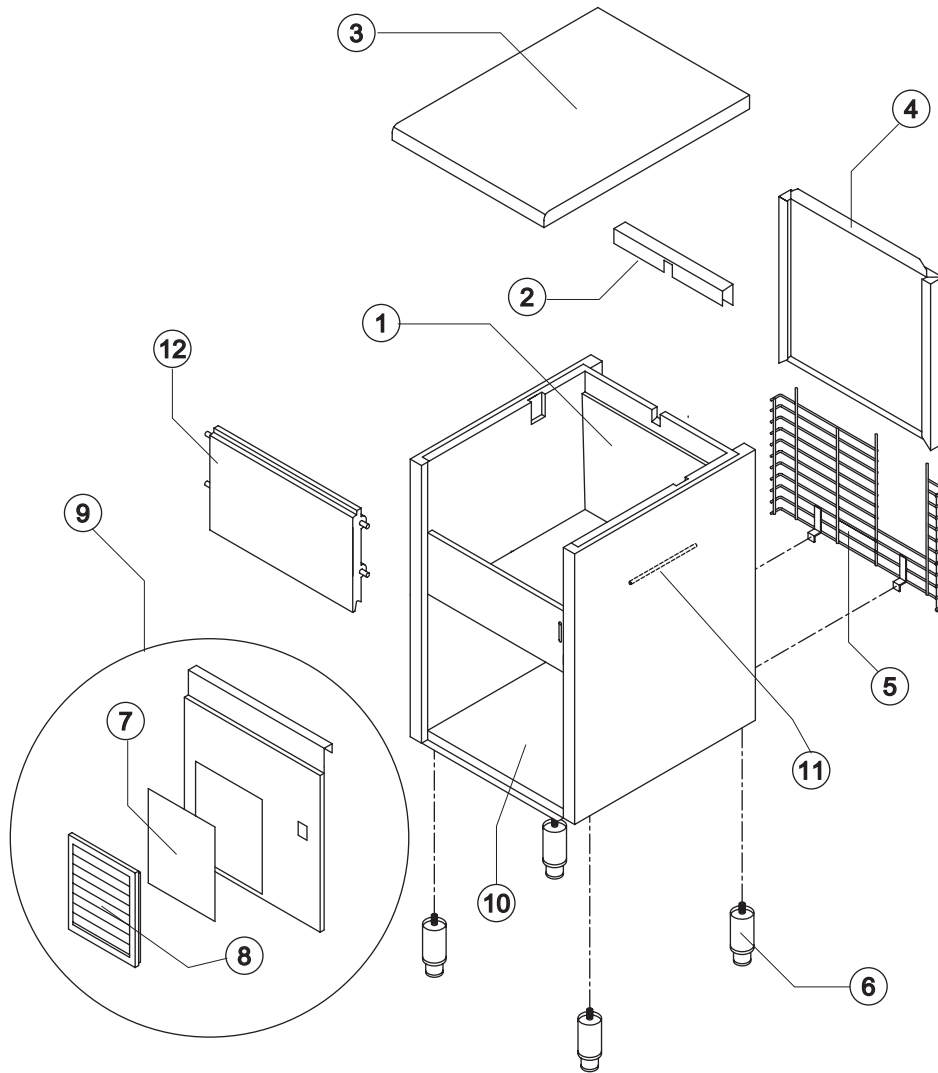
### HYDRAULIC CIRCUIT



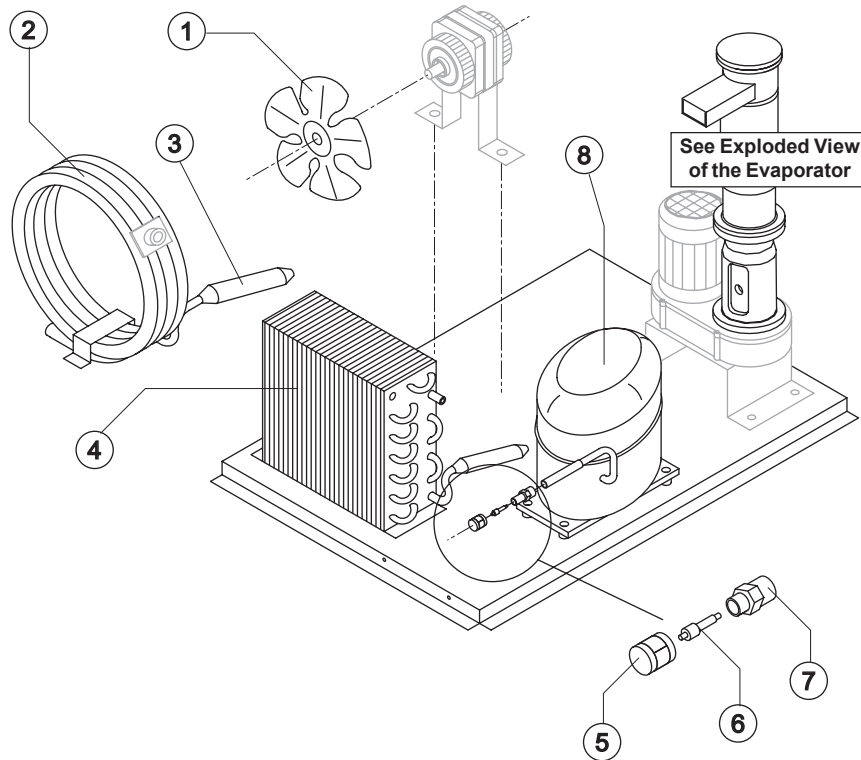
### ELECTRIC PARTS



Rev. 4 - 20/10/2003



| Ref. | Spare Description               | Code                   |
|------|---------------------------------|------------------------|
| 1    | Foamed Cabinet Assy             | C11098/E               |
| 2    | Cover for Ice Exit Passage      | 22592                  |
| 3    | Top Assembly                    | C22690                 |
| 4    | Back Panel Assembly             | C22290                 |
| 5    | Rear Grid                       | D12020                 |
| 6    | Stainless Steel Foot Adjustable | Current Version 20613  |
| 6    | ABS Foot                        | Till s/n. 142485 10040 |
| 7    | Filtering Panel                 | 18106                  |
| 8    | Frame with Grid & Filter        | C10205                 |
| 9    | Front Grid Panel                | C22510                 |
| 10   | Base Plate                      | Current Version 21284  |
| 10   | Base Plate                      | Till s/n.142485 C21044 |
| 11   | Bulbe Thermostat Tube           | 20522                  |
| 12   | Door Assy                       | C10275                 |



### Common Parts

| Ref. | Spare Description          | Code      |
|------|----------------------------|-----------|
| 3    | Molecular Drier            | 14009     |
| 8    | Compressor                 | See Table |
| 5    | Vacuum-Charge Valve Plug   | 14006     |
| 6    | Vacuum-Charge Valve Device | 14005     |
| 7    | Vacuum-Charge Valve Body   | 14007     |

### Parts for Air-Cooled Version Only

| Ref. | Spare Description   | Code            |
|------|---------------------|-----------------|
| 1    | Suction Fan 254/31° | 20031           |
| 4    | Air Condenser       | Current version |
| 4    | Air Condenser       | Till s/n. 74774 |

### Parts for Water-Cooled Version Only

| Ref. | Spare Description | Code  |
|------|-------------------|-------|
| 1    | Suction Fan       | 10213 |
| 2    | Water Condenser   | 14014 |

### Ref. 8 - Compressor

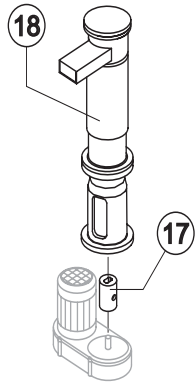
| Tension        | Code  |
|----------------|-------|
| 220/240V 50 Hz | 23575 |
| 220/230V 60 Hz | 23578 |
| 110/115V 60 Hz | 23579 |



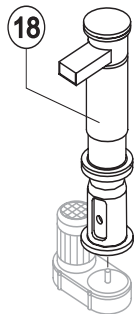
# GB 1555

# EVAPORATOR

Rev. 4 - 20/10/2003

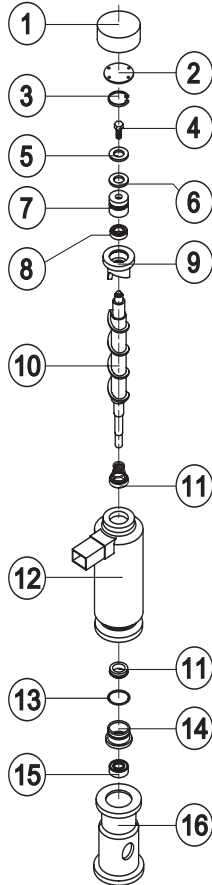


**C11110**



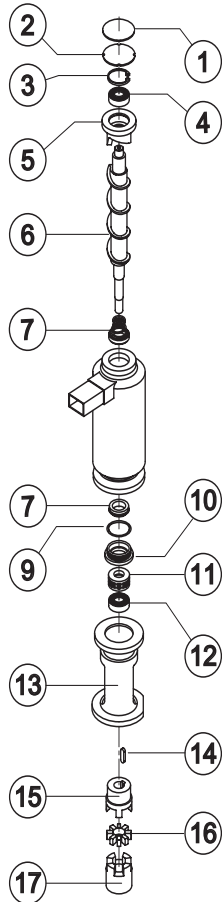
**KITGBC11110**

Current Version



For Complete Evaporator,  
order C11110

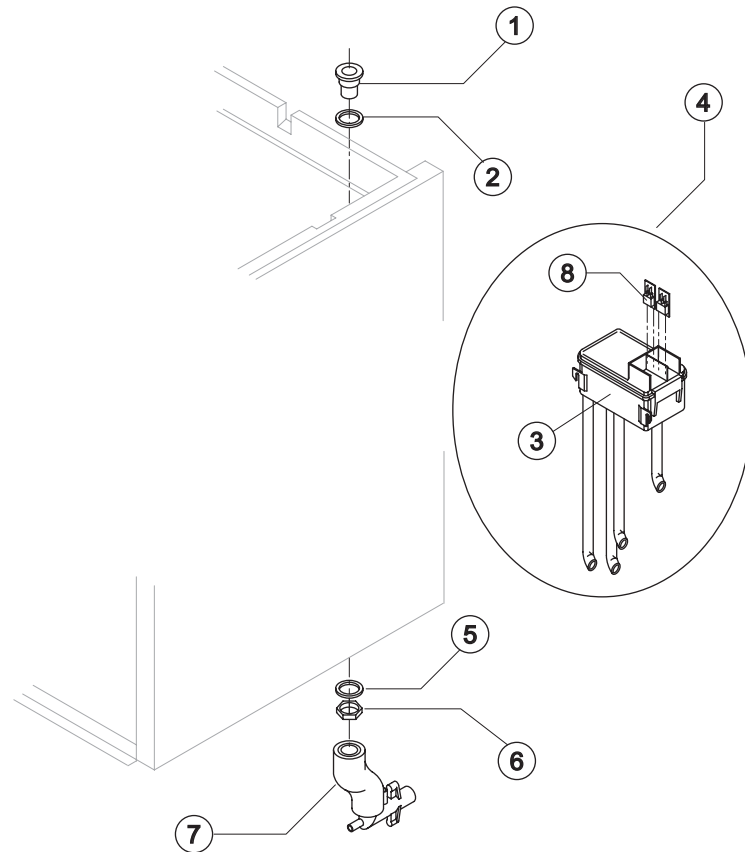
Till s/n.157640



For Complete Evaporator,  
order KITGBC11110

| Ref. | Spare Description (Current Version) | Code                   |
|------|-------------------------------------|------------------------|
| 1    | Insulating Top Panel                | Current Version 18170  |
| 1    | Insulating Top Panel                | Till s/n. 180719 18164 |
| 2    | Closing Disk                        | 22825                  |
| 3    | Seeger                              | 20043                  |
| 4    | Inox Screw                          | Current Version 20663  |
| 4    | Inox Screw                          | Till s/n. 161504 15093 |
| 5    | Shimming Disk                       | 22826                  |
| 6    | Self-Lubricating Disk               | 20631                  |
| 7    | Stainless Steel Thrust Bearing      | Current Version 20686  |
| 7    | Stainless Steel Thrust Bearing      | Till s/n. 211897 20623 |
| 8    | OR Gasket 3087                      | Current Version 20688  |
| 8    | Seal Ring                           | Till s/n. 211897 20632 |
| 9    | Ice Breaker                         | 20626                  |
| 10   | Auger with Screw                    | C20625                 |
| 11   | Ceramic Seal                        | 20633                  |
| 12   | Insulated Evaporator                | C11107                 |
| 13   | OR Gasket 3162 NBR70                | 20429                  |
| 14   | Reduction Ring                      | 20624                  |
| 15   | Inox Bearing                        | 20045                  |
| 16   | Flange                              | 20629                  |
| 17   | Joint                               | D20630                 |
| 18   | Evaporator Assy                     | C11110                 |

| Ref. | Spare Description (Till s/n.157640) | Code                  |
|------|-------------------------------------|-----------------------|
| 1    | Insulating Cover                    | 18116                 |
| 2    | Closing Disk                        | 22588                 |
| 3    | Seeger Ring                         | 20434                 |
| 4    | Stainless Steel Upper Bearing       | 20433                 |
| 5    | Ice Breaker                         | 20440                 |
| 6    | Auger                               | 20439                 |
| 7    | Ceramic Seal                        | 20428                 |
| 9    | OR Gasket 3162 NBR70                | 20429                 |
| 10   | Reduction Ring                      | 20427                 |
| 11   | Stainless Steel Thrust Bearing      | 20049                 |
| 12   | Inox Bearing                        | 20045                 |
| 13   | Machined Joint Flange               | E20438                |
| 14   | Key                                 | 20431                 |
| 15   | Semi-Joint                          | D20430                |
| 16   | Vibration-Damping Elastomer         | 20455                 |
| 17   | Semi-Joint                          | D20454                |
| 18   | Evaporator Assy                     | ex C11095 KITGBC11110 |



### Common Parts

| Ref. | Spare Description             | Code     |
|------|-------------------------------|----------|
| 1    | Plastic Nipple Water Outlet   | 10007    |
| 2    | Silicone Gasket               | 13006    |
| 3    | Double Switch Basin           | 10145    |
| 4    | Double Switch Basin Assembly  | C10200GB |
| 5    | Semirigid Polyethylene Gasket | 13007    |
| 6    | Bin Discharge Nut             | 10096    |
| 8    | Microswitch                   | 23055    |

### Parts for Air-Cooled Version Only

| Ref. | Spare Description   | Code   |
|------|---------------------|--------|
| 7    | Discharges Manifold | C10235 |

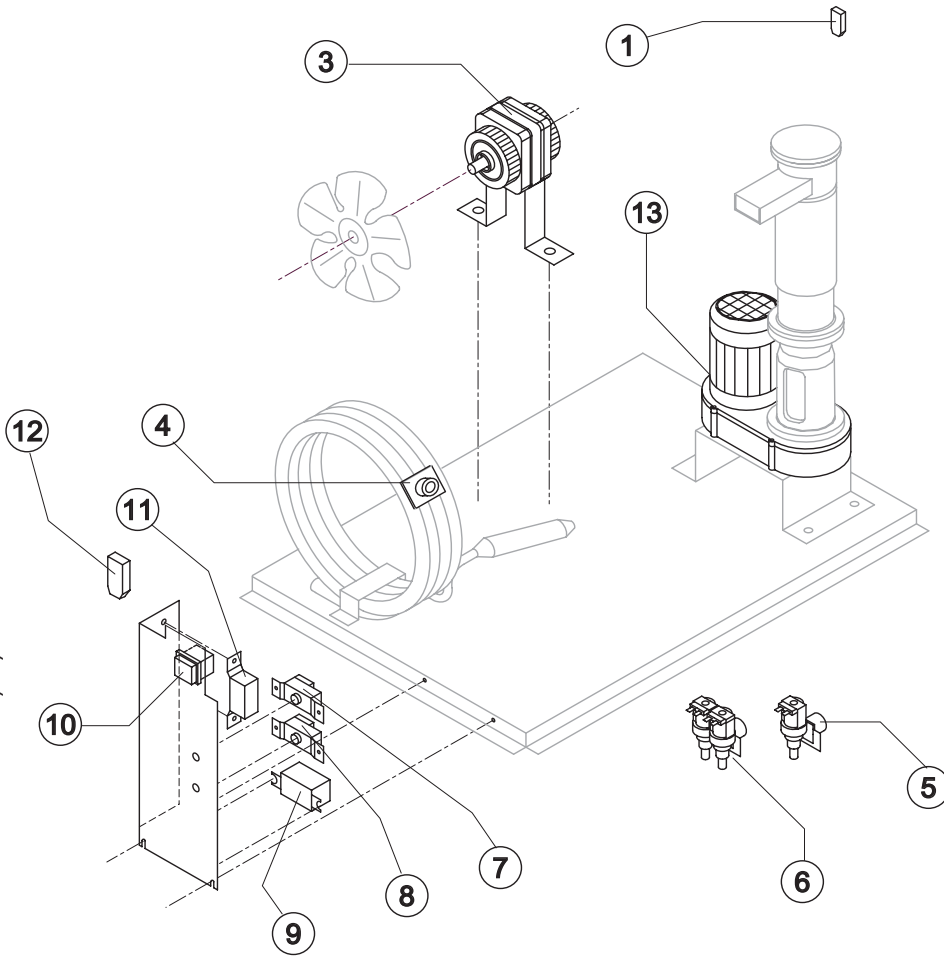
### Parts for Water-Cooled Version Only

| Ref. | Spare Description   | Code   |
|------|---------------------|--------|
| 7    | Discharges Manifold | C10240 |



# GB 1555

## ELECTRIC PARTS



### Common Parts

| Ref. | Spare Description                             | Code      |
|------|---|-----------|
| 1    | Anti Radio Interference Filter 220/240V 50 Hz | 23457     |
| 3    | Fan Motor                                     | See Table |
| 7    | Bin Thermostat                                | 23005     |
| 8    | Evaporator Thermostat                         | 23034     |
| 9    | Relay   | See Table |
| 10   | Green Light Switch                            | 23327     |
| 11   | Condenser Pressure Switch                     | 23175     |
| 12   | Anti Radio Interference Filter 220/240V 50 Hz | 23459     |
| 13   | Gearmotor                                     | See Table |

### Parts for Air-Cooled Version Only

| Ref. | Spare Description      | Code      |
|------|------------------------|-----------|
| 5    | Inlet Watervalue 1 Way | See Table |

### Parts for Water-Cooled Version Only

| Ref. | Spare Description       | Code      |
|------|-------------------------|-----------|
| 4    | Safety Thermostat       | C23114    |
| 6    | Inlet Watervalue 2 Ways | See Table |

Rev. 4 - 20/10/2003

#### Ref. 3 - Fan Motor

| Tension        | Air   | Water |
|----------------|-------|-------|
| 220/240V 50 Hz | 23067 | 23029 |
| 220/230V 60 Hz | 23681 | 23029 |
| 110/115V 60 Hz | 23621 | 23683 |

#### Ref. 5 - Inlet Watervalue 1 Way

| Tension        | Code  |
|----------------|-------|
| 220/240V 50 Hz | 23115 |
| 220/230V 60 Hz | 23115 |
| 110/115V 60 Hz | 23410 |

#### Ref. 6 - Inlet Watervalue 2 Ways

| Tension        | Code  |
|----------------|-------|
| 220/240V 50 Hz | 23010 |
| 220/230V 60 Hz | 23010 |
| 110/115V 60 Hz | 23261 |

#### Ref. 9 - Relay

| Tension        | Code  |
|----------------|-------|
| 220/240V 50 Hz | 23190 |
| 220/230V 60 Hz | 23190 |
| 110/115V 60 Hz | 23557 |

#### Ref. 13 - Gearmotor

| Tension        | Code  |
|----------------|-------|
| 220/240V 50 Hz | 23532 |
| 220/230V 60 Hz | 23532 |
| 110/115V 60 Hz | 23556 |