

EH330 and EH430 Service Parts

This part list contains the service parts for the Eclipse 1200, 1400, 1800 and 2000 systems.

The models that are covered include:

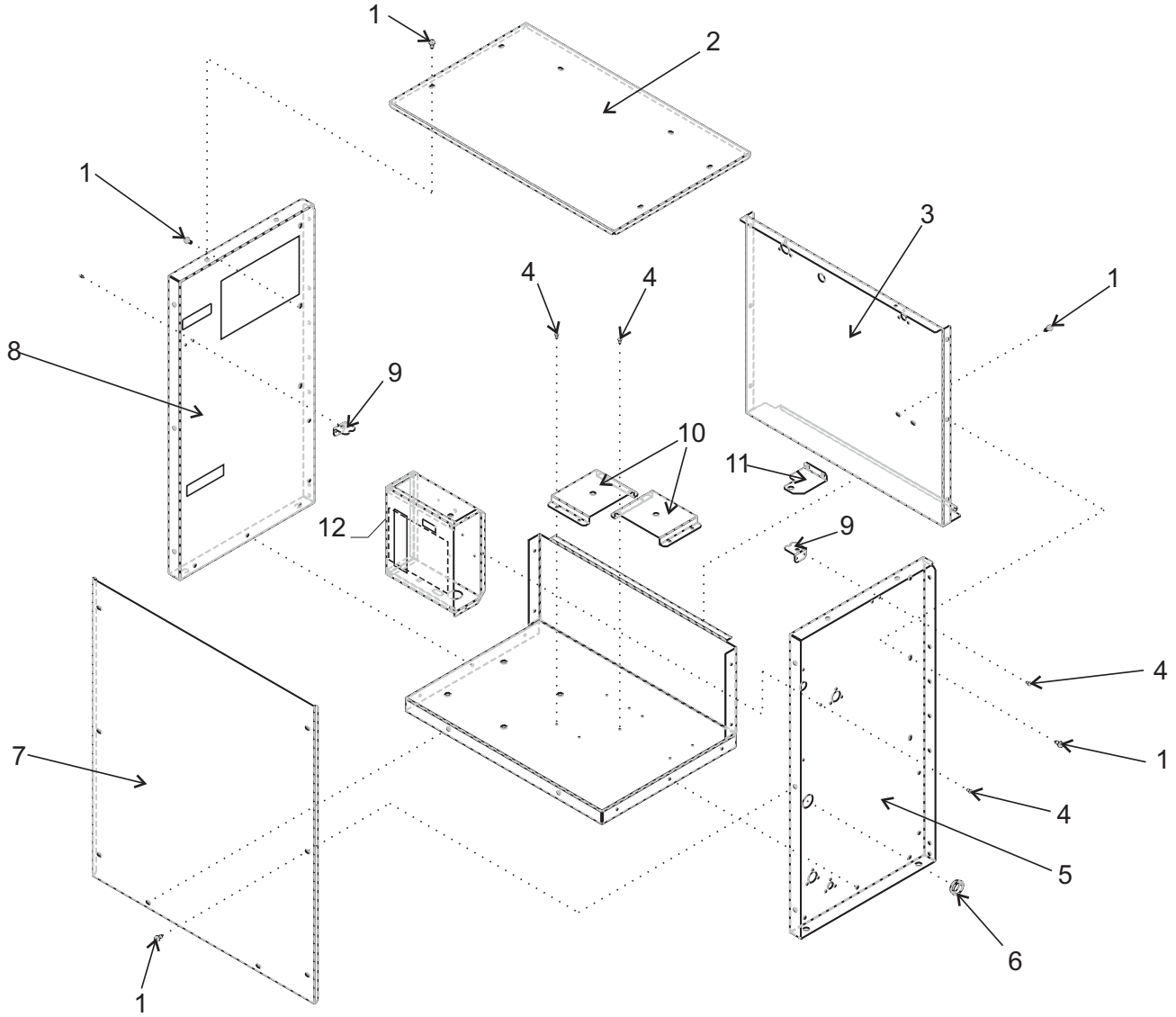
- EH330
- EH430
- C1200CP
- C1410CP
- C1800CP
- C2000CP
- ERC1086
- ERC2086

Table of Contents

EH330 Cabinet	Page 2
EH430 Cabinet	Page 3
EH330 and EH430 Interior Parts	Page 4
EH330 and EH430 Refrigeration System	Page 5
EH330 Evaporator Compartment	Page 6
EH430 Evaporator Compartment	Page 7
EH330 or EH430 Electrical	Page 8
CP Cabinet	Page 9
C1200CP Refrigeration System	Page 10
C1410CP Refrigeration Systems	Page 11
C1800CP Refrigeration System	Page 12
C2000CP Refrigeration System	Page 13
CP Control Box	Page 14
Remote Condensers	Page 15
EH330 or EH430 Schematic Diagram	Page 16
EH330 or EH430 Wiring Diagram	Page 17
CP Single Phase Schematic Diagram	Page 18
CP Single Phase Wiring Diagram	Page 19
CP Three Phase Wiring Diagram	Page 20
CP Three Phase Schematic Diagram	Page 21

EH330 and EH430 Service Parts

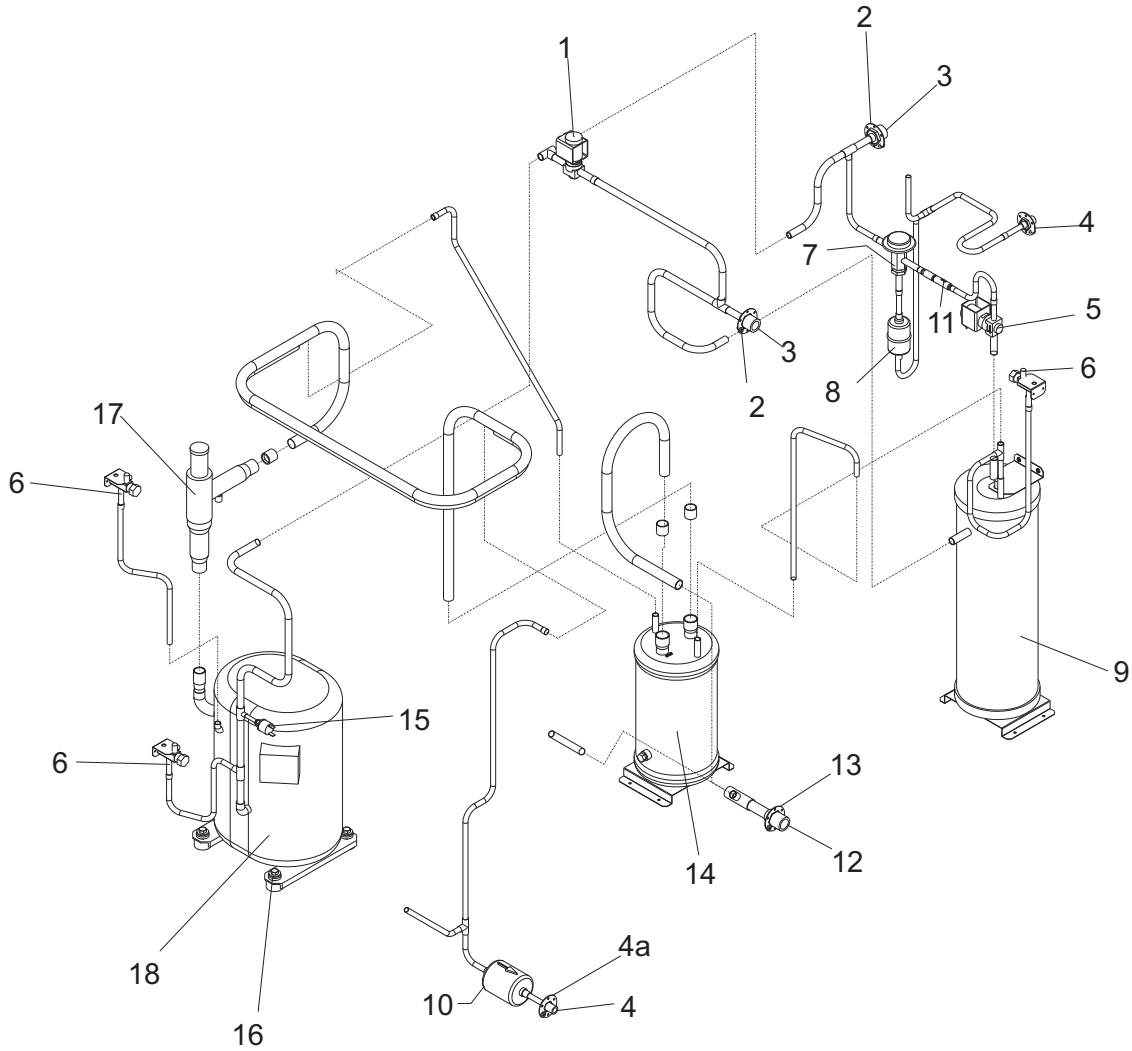
CP Cabinet



Item Number	Part Number	Description	Item Number	Part Number	Description
1	03-1645-01	Screw	10	A37948-001	Rec btm bracket - all or accumulator bracket - C1200CP or C1410CP
2	A37853-001	Top cover		A39319-001	Accumulator bracket, C1800CP or C2000CP
3	A37845-001	Back panel	11	A37949-001	Receiver top bracket
4	03-1531-01	Screw	12	A38430-001	Control box cover
5	A37829-001	Right side panel			
6	12-1213-20	Snap bushing			
7	A37896-001	Front cover			
8	A37829-002	Left side panel			
9	A37962-001	Service valve bracket			

EH330 and EH430 Service Parts

C1800CP Refrigeration System

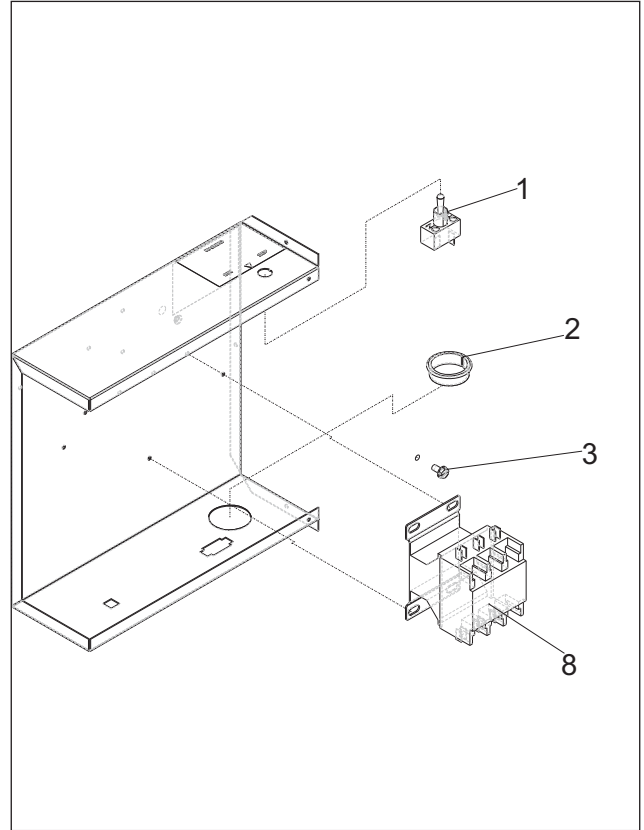
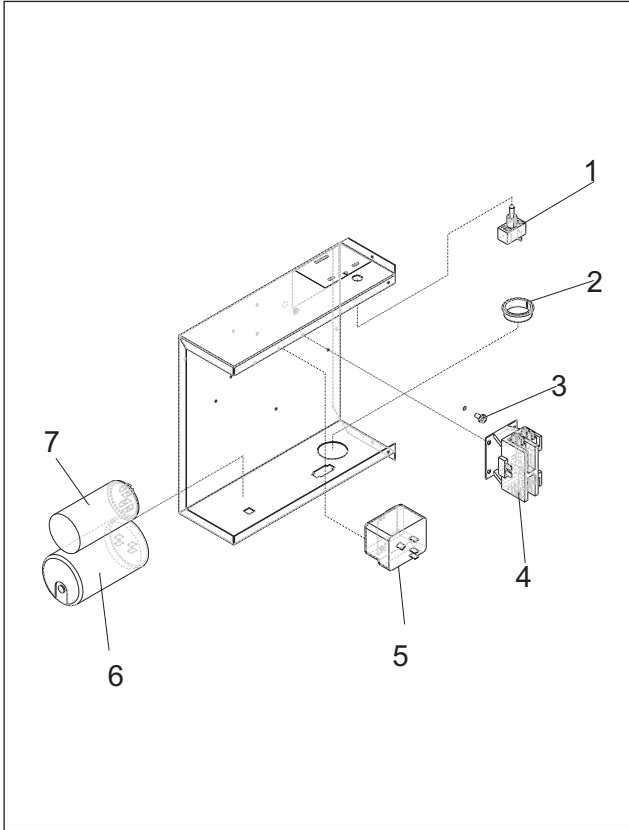


Item Number	Part Number	Description
1	11-0507-03	By pass valve
2	16-0701-14	Mounting flange
3	16-0850-01	Discharge quick connect
4	16-0850-03	Liquid quick connect
4a	16-0701-07	Mounting flange
5	11-0546-01	Liquid inlet valve
6	16-0832-20	Access valve
7	16-1044-01	Headmaster
8	02-3231-02	Filter
9	16-1085-01	Receiver
10	02-3319-02	Filter drier
11	16-1029-01	Check valve
12	16-0850-04	Suction quick connect
13	16-0701-18	Mounting flange
14	16-1122-21	Accumulator
15	11-0501-22	Hi pressure cut out
16	18-2300-27	Mounting grommet
	18-2300-26	Sleeve
	03-1406-07	Washer
	03-1404-15	Cap screw
17	16-1096-02	CPR valve
18	Compressors	
	C1800CP-32	single phase 18-8930-24
	C1800CP-2	three phase 18-8930-25

All compressors are 208-230 volt, 60 Hz.
 Single phase compressors include starting components. All include a drier and crankcase heaters.

EH330 and EH430 Service Parts

CP Control Box



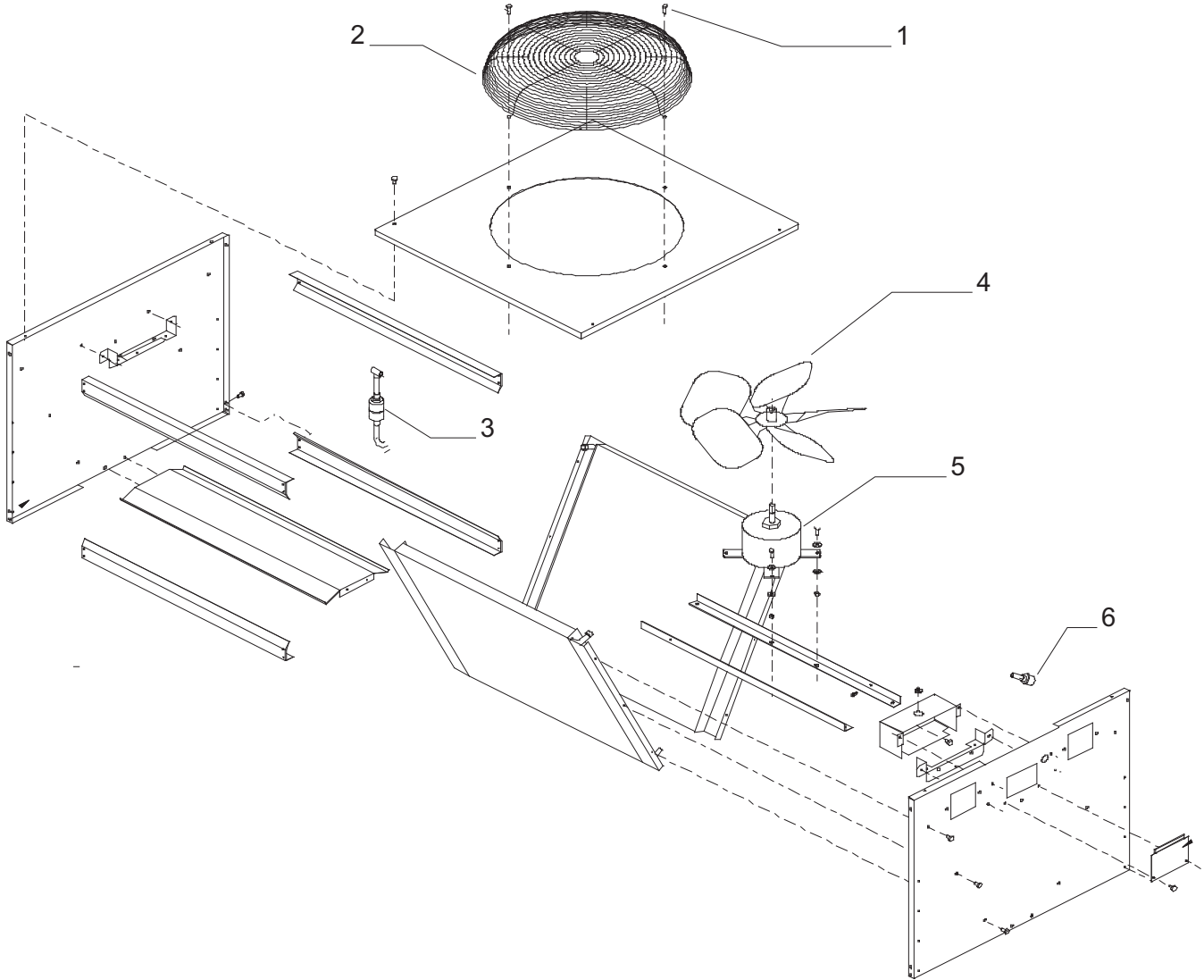
Item Number	Part Number	Description
1	12-0426-01	Toggle switch
2	12-1213-20	Snap bushing
3	03-1531-01	Mounting screw
4	12-2469-01	Single phase contactor

		C1200CP-32	C1410CP-32	C1800CP-32	C2000CP-32
5	Potential Relay	18-1903-46	18-1903-46	18-1903-62	18-1903-62
6	Start Capacitor	18-1901-48	18-1901-48	18-1901-27	18-1901-27
7	Run Capacitor	18-1902-55	18-1902-55	18-1902-27	18-1902-27

8	12-2533-01	Three phase Contactor
Not Shown:		
9	12-2836-02	Transformer, 230 to 24

EH330 and EH430 Service Parts

Remote Condensers



Model ERC1086

Item Number	Part Number	Description
1	03-1405-08	Screw
2	02-3575-01	Fan guard
3	02-3231-03	Filter
4	18-8816-01	Fan blade
5	12-2651-01	Fan motor
6	16-1057-04	Quick connect, disch
	16-1057-03	Quick connect, liquid

Not Shown:

A37169-001	Leg
A37170-001	Leg brace
03-1645-01	Screw for legs

ERC2086

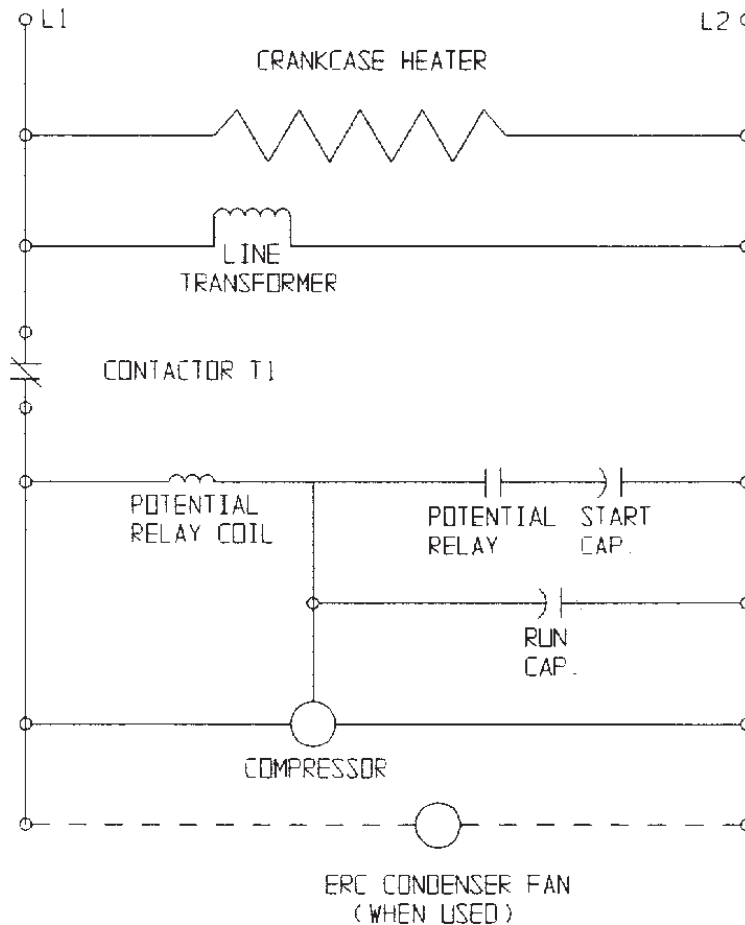
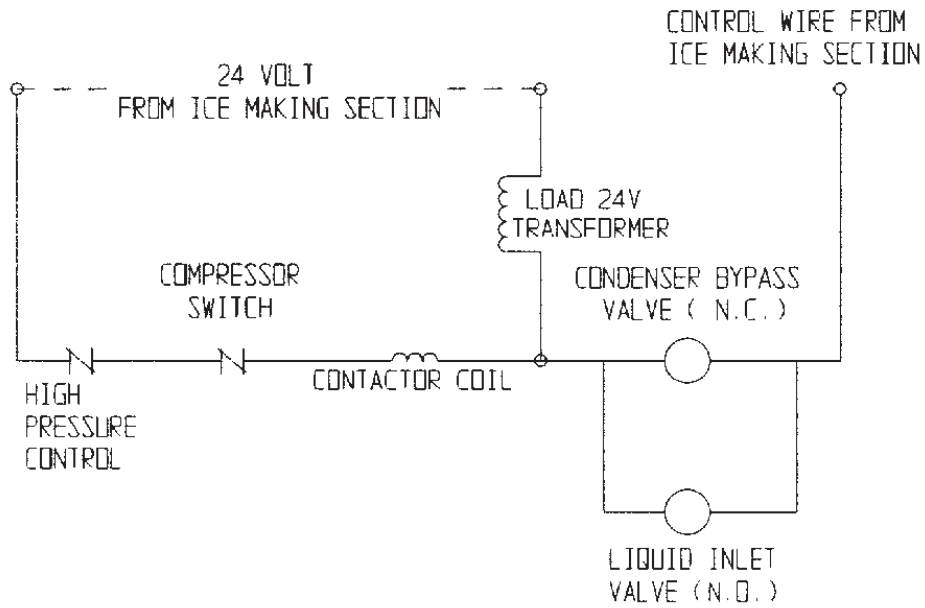
Item Number	Part Number	Description
1	03-1405-08	Screw
2	02-3770-01	Fan guard
3	02-3231-03	Filter
4	18-8820-01	Fan blade
5	12-2717-01	Fan motor
6	16-1057-04	Quick connect, disch
	16-1057-03	Quick connect, liquid

Not Shown:

A37169-001	Leg
A37296-001	Leg brace
03-1645-01	Screw for legs

EH330 and EH430 Wiring Diagrams

CP Single Phase Schematic Diagram

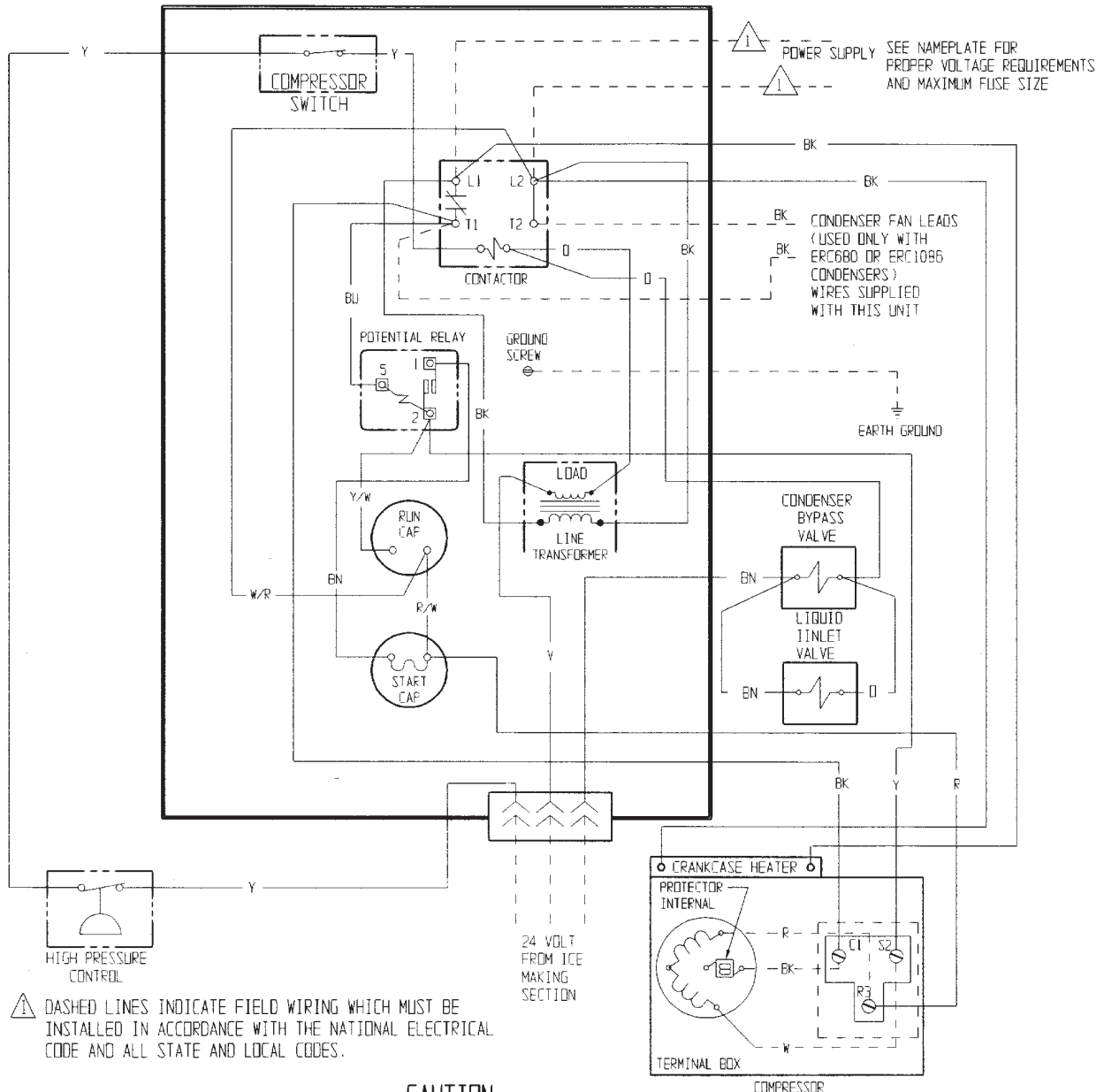


EH330 and EH430 Wiring Diagrams

CP Single Phase Wiring Diagram

17-3130-01

USE COPPER CONDUCTORS ONLY



⚠ DASHED LINES INDICATE FIELD WIRING WHICH MUST BE INSTALLED IN ACCORDANCE WITH THE NATIONAL ELECTRICAL CODE AND ALL STATE AND LOCAL CODES.

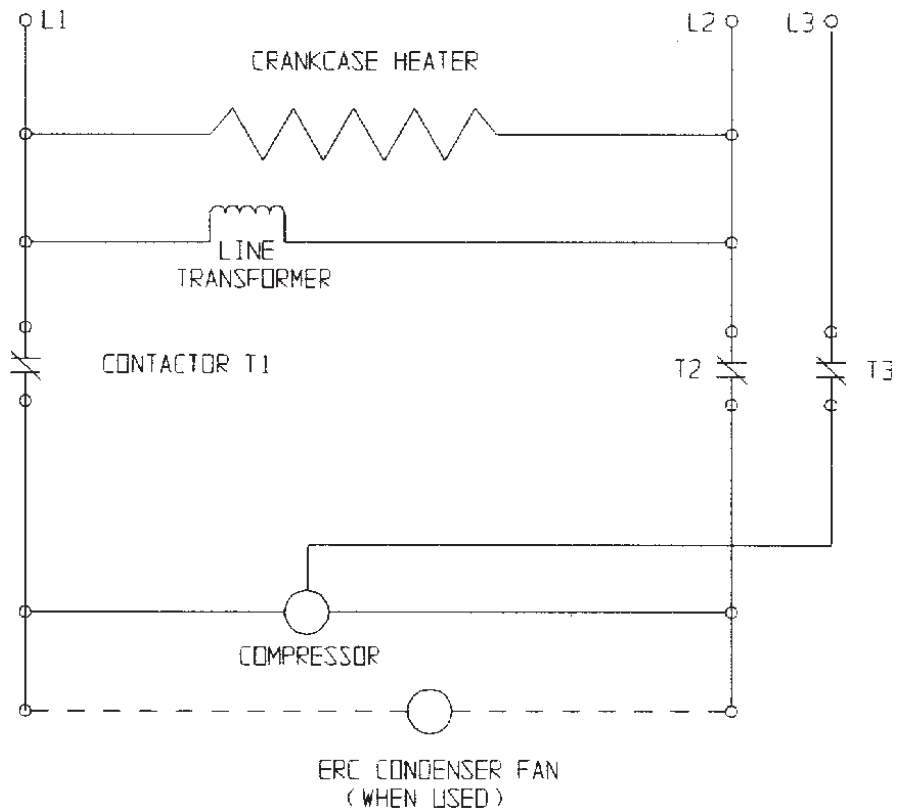
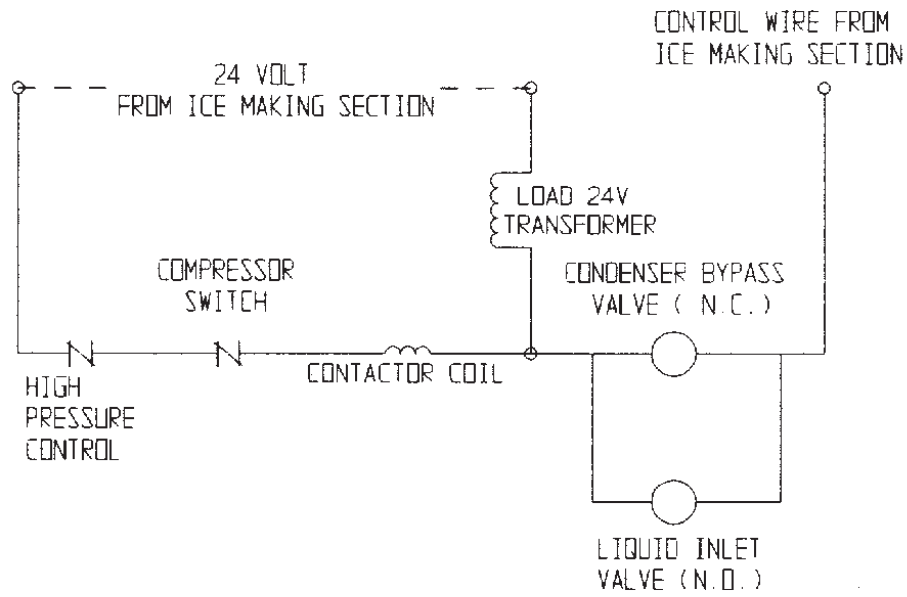
CAUTION:

MORE THAN ONE DISCONNECT MEANS MAY BE REQUIRED TO DISCONNECT ALL POWER TO THIS UNIT.

THIS UNIT MUST BE GROUNDING.

EH330 and EH430 Wiring Diagrams

CP Three Phase Wiring Diagram

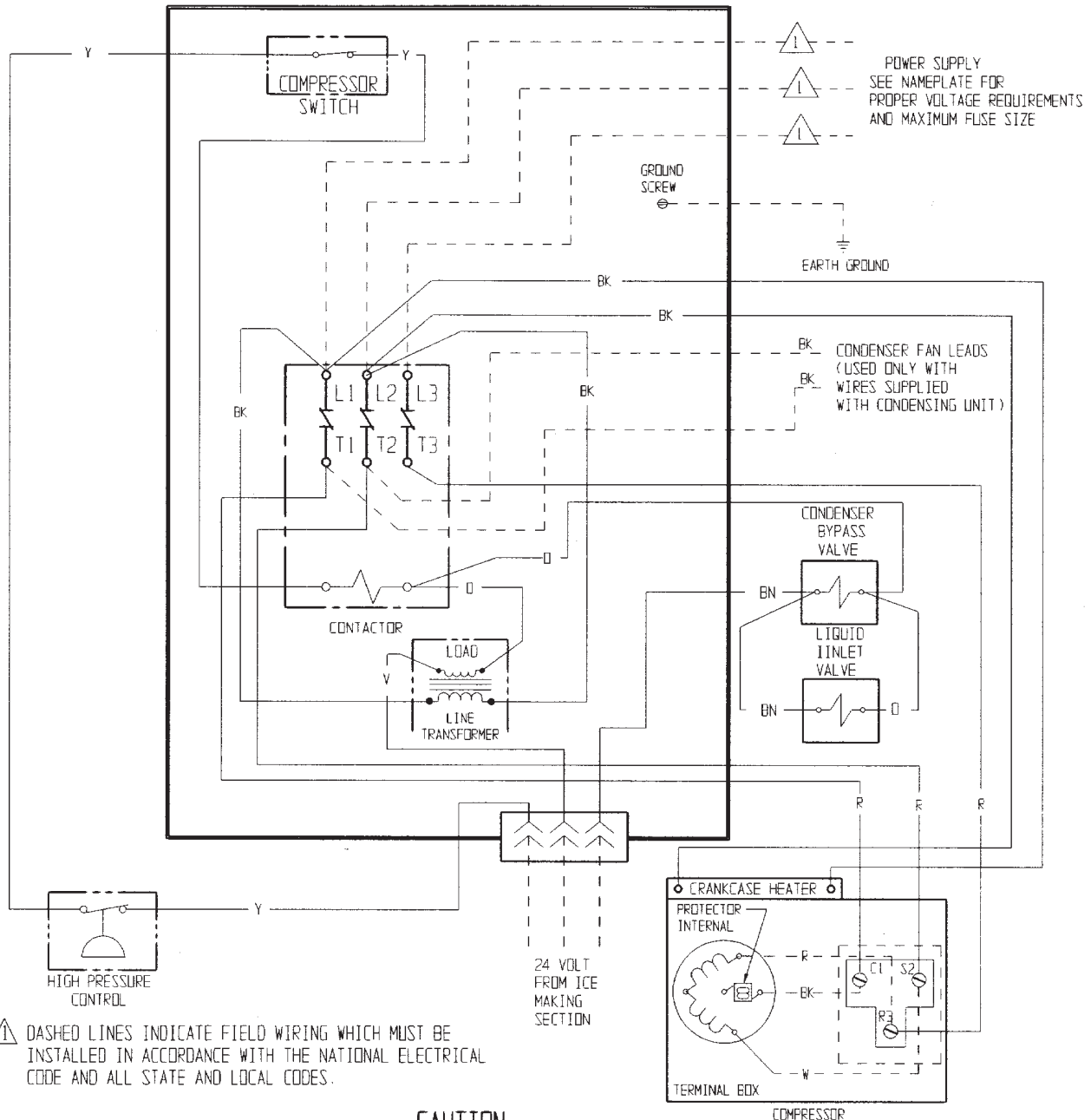


EH330 and EH430 Wiring Diagrams

CP Three Phase Schematic Diagram

17-3131-01

USE COPPER CONDUCTORS ONLY



CAUTION:

THIS UNIT MUST
BE GROUNDED.

MORE THAN ONE DISCONNECT MEANS MAY BE
REQUIRED TO DISCONNECT ALL POWER TO THIS UNIT.