

532004100

1

544446900

537027400

537003800

537000900

541104000

544446800

533010500

560074200M01P00

541157601 ≤ 1302
541157602 ≥ 1303

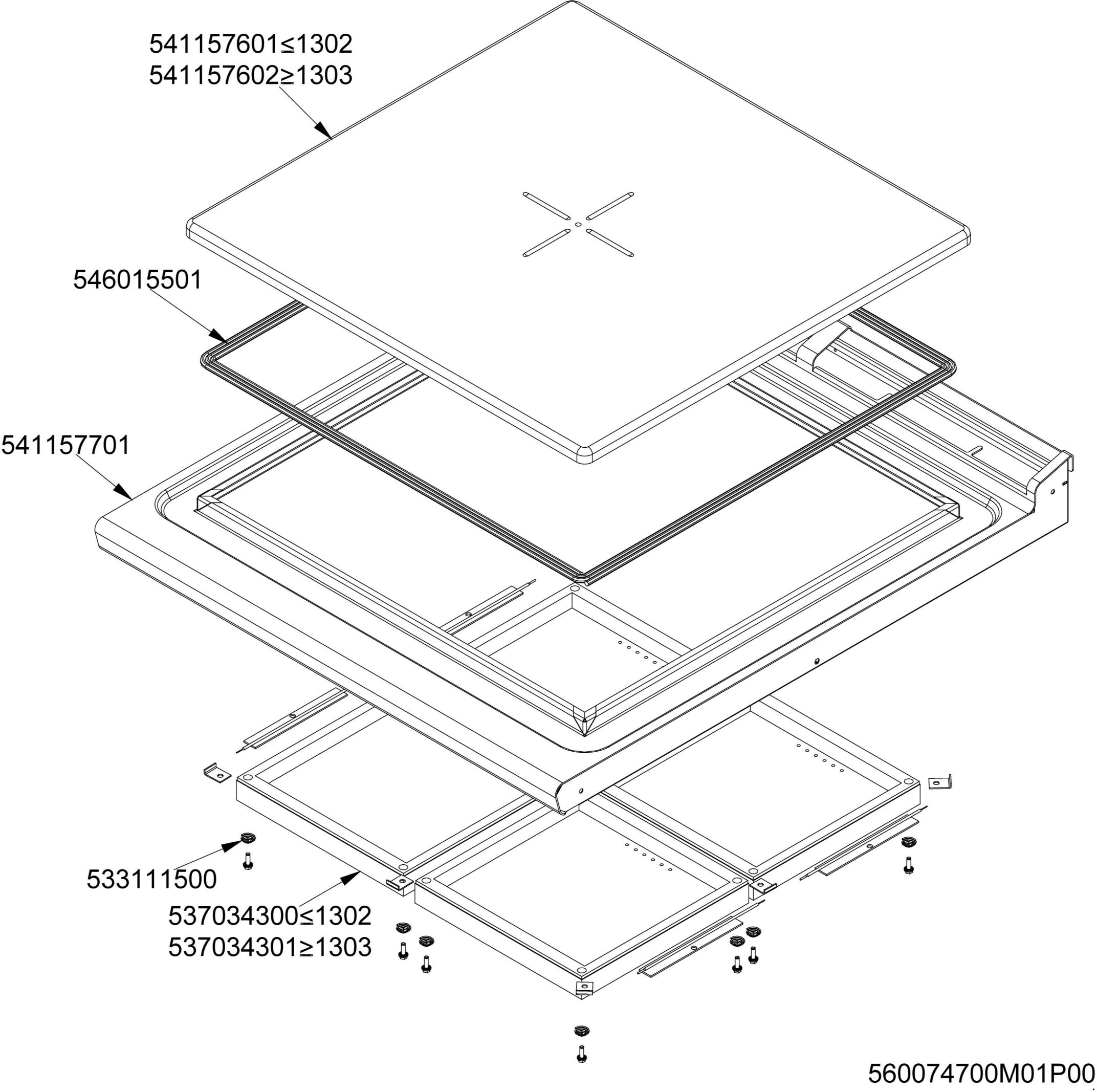
546015501

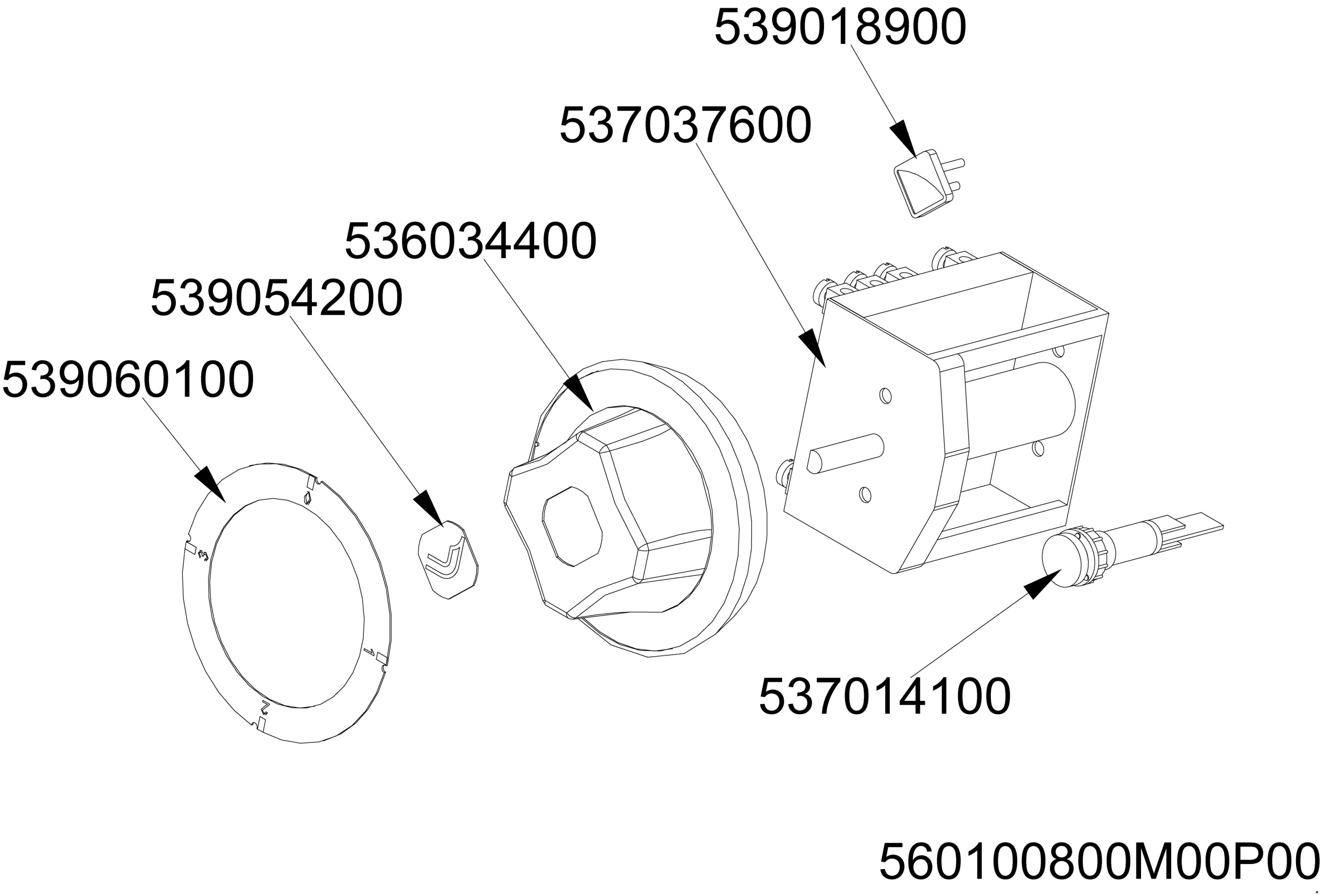
541157701

533111500

537034300 ≤ 1302
537034301 ≥ 1303

560074700M01P00





Page	Pos	Code	Description
001		532004100	FLUE GRID L=370 90LINE (RAF
001		544446900	LHD SIDE FOR 90T APPLIANCES
001		541104000	CONTROL PANEL PC-78E
001		537027400	TERMINAL BLOCK THREEPHASE 40A
001		537003800	TERMINAL BLOCK 3POLES 16A
001		537000900	THERMOSTAT 063-320°C THREEPHASE
001		544446800	
001		533010500	LEG M10*25 D.40
002		541157601	UPPER PLATE TP-98E
002		541157602	PLATE S90 TP-98E
002		546015501	SQUARE PLAIT L.C.06X06 L7500
002		541157701	UPPER PLATE TP-98E
002		533111500	COIL SPRING INTØ7X18XØFILO1 H=10
002		537034300	HEATING EL. 250X250 3400W230V3
002		537034301	HEATING EL. 250X295 3400W 230V3
003		539060100	RED ADESIVE DISK FOR CPT-ET
003		539054200	STAMP Ø20,5 CR."L" LOTUS R.
003		536034400	KNOB §77 4P. §06*4,6 C/M
003		537037600	COMMUTATOR 4 POS.3PHASE S.43 32A
003		539018900	INDEX FOR KNOB W/RED SIGN
003		537014100	WHITE WARNING LIGHT 250V